



US00D591755S

(12) **United States Design Patent**  
**Richter**

(10) **Patent No.:** **US D591,755 S**  
(45) **Date of Patent:** **\*\* May 5, 2009**

(54) **APPARATUS SUPPORT DEVICE HOLDER**

(76) Inventor: **Harald Richter**, Höhenstrasse 32, 76331 Engelbrand (DE)

(\*\*) Term: **14 Years**

(21) Appl. No.: **29/293,873**

(22) Filed: **Dec. 17, 2007**

(51) **LOC (9) Cl.** ..... **08-07**

(52) **U.S. Cl.** ..... **D14/447; D14/253**

(58) **Field of Classification Search** ..... D14/447, D14/451, 452, 328, 336, 356, 371, 374, 375, D14/376, 432, 434, 439, 448, 454, 457, 239, D14/251, 252, 341, 224, 253, 316, 129, 209, D14/217, 237, 238, 458, 459, 460, 461; D10/65; D6/444, 513, 396, 419, 420, 473, 474, 512; D8/349, 355, 363, 373, 380, 354; D19/92, D19/95; D23/370, 387; 248/176.1, 220.21, 248/223.31, 274.1, 276.1, 281.11, 284.1, 248/286.1, 309.1, 316.1, 323, 324, 346.3, 248/349.1, 371, 398, 917, 918, 919, 920, 248/921, 922, 923, 205.5, 121, 124.1, 127, 248/177.1, 201, 205.1, 291.1, 313, 346.01, 248/346.03, 415; D12/415; 312/223.3; 348/825, 348/836; 379/446, 454; 361/681, 683, 687, 361/695

See application file for complete search history.

(56) **References Cited**

**U.S. PATENT DOCUMENTS**

D487,270 S *	3/2004	Richter	.....	D14/447
D521,850 S *	5/2006	Richter et al.	.....	D8/354
D530,333 S *	10/2006	Richter	.....	D14/447
D533,174 S *	12/2006	Richter	.....	D14/251
D545,825 S *	7/2007	Richter	.....	D14/447
D545,826 S *	7/2007	Richter	.....	D14/447
D553,959 S *	10/2007	Brassard	.....	D8/363
D554,042 S *	10/2007	Richter	.....	D12/415
D554,136 S *	10/2007	Richter	.....	D14/447
D554,137 S *	10/2007	Richter	.....	D14/447
D563,309 S *	3/2008	Richter	.....	D12/415
2004/0256529 A1 *	12/2004	Richter	.....	248/309.1

2006/0113434 A1\* 6/2006 Richter ..... 248/121

\* cited by examiner

*Primary Examiner*—Jennifer Rivard

*Assistant Examiner*—Angela J Lee

(74) *Attorney, Agent, or Firm*—Klaus J. Bach

(57) **CLAIM**

The ornamental design for an apparatus support device holder, as shown and described.

**DESCRIPTION**

FIG. 1 is a front view of an apparatus support device holder, FIG. 2 is a right side view of the apparatus support device holder shown in FIG. 1,

FIG. 3 is a left side view of the apparatus support device holder shown in FIG. 1,

FIG. 4 is a right side perspective view of the apparatus support device holder shown in FIG. 1 showing also part of the rear side, and

FIG. 5 is a left side perspective view of the apparatus support device holder shown in FIG. 1, showing also the part of rear side of the apparatus not shown in FIG. 4; and,

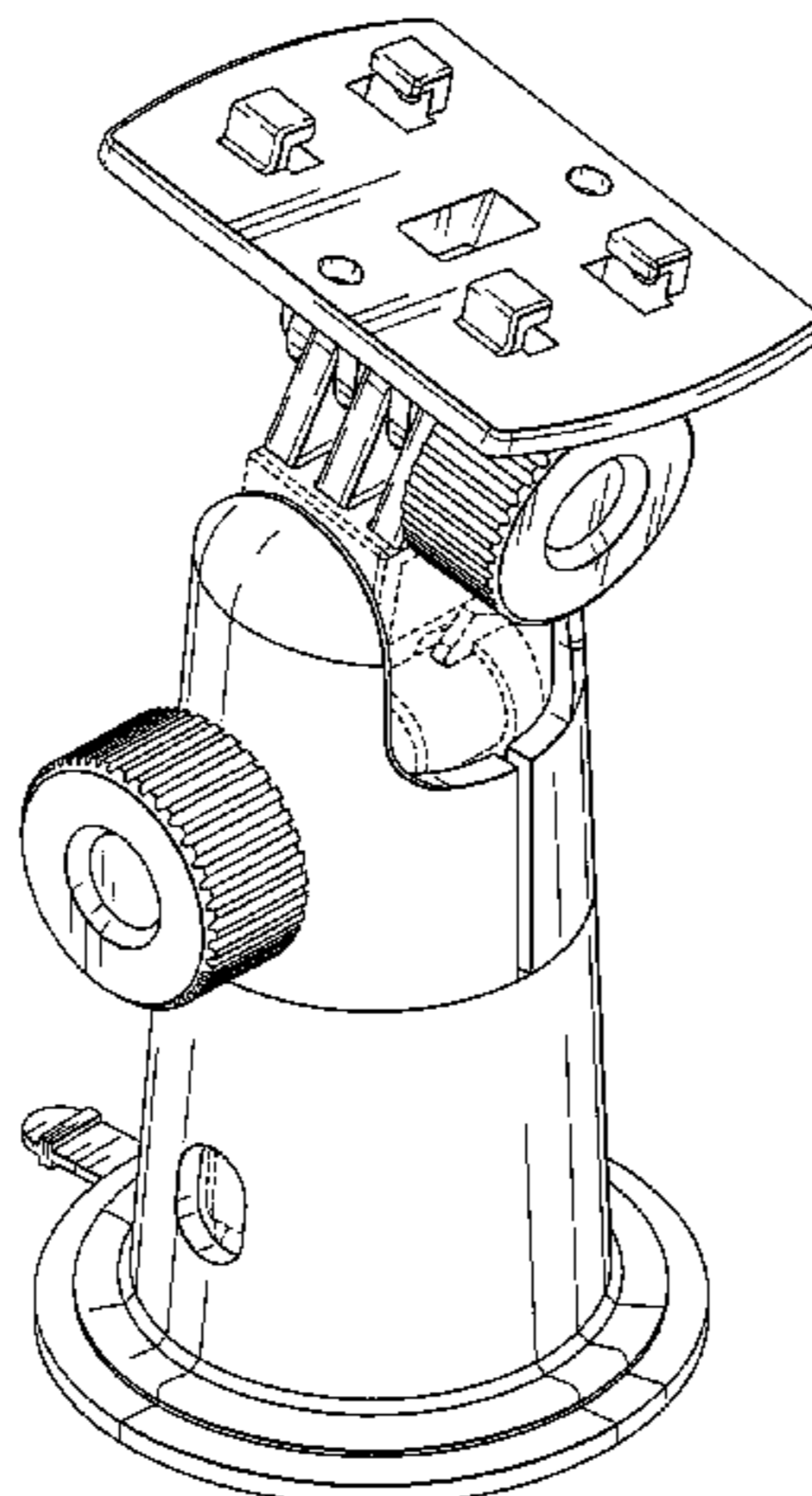
FIG. 6 is a bottom view of the apparatus support device holder shown in FIG. 1.

The apparatus support device holder is used for supporting an apparatus support device specifically adapted to cradling a particular apparatus such as a wireless phone, GPS, a PDA device, a telephone or other equipment in a convenient position on a smooth surface such as a windshield of a motor vehicle.

The three small protrusions shown on the surface of the locking mechanism in FIGS. 2 and 3 should be shown in broken lines as they form no part of the claimed design. But, because of their small size, the broken lines cannot be clearly shown and are additionally described in this statement for clarity.

The portions of the apparatus support device holder shown in broken line form no part of the claimed design.

**1 Claim, 6 Drawing Sheets**



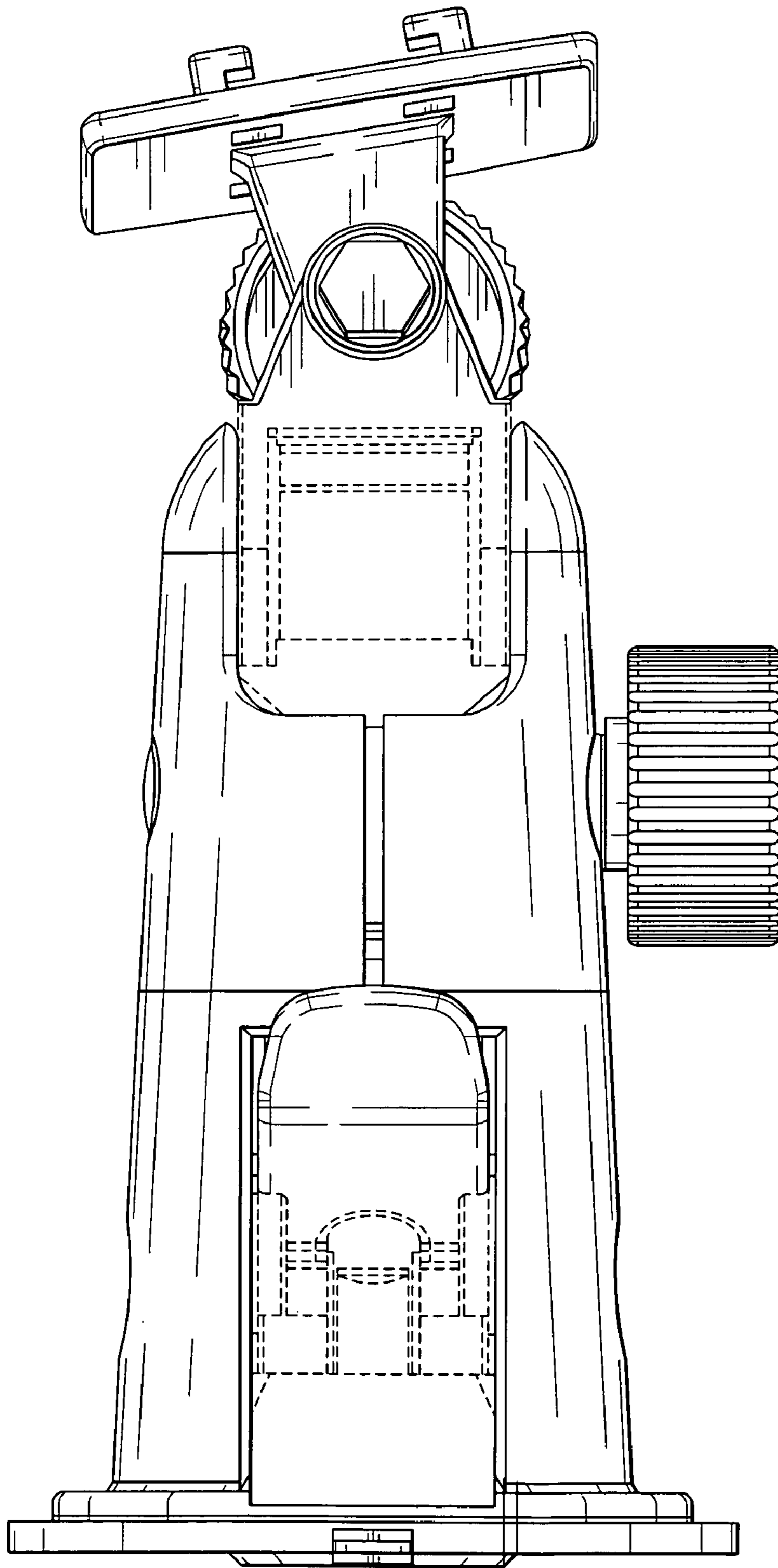


FIG. 1

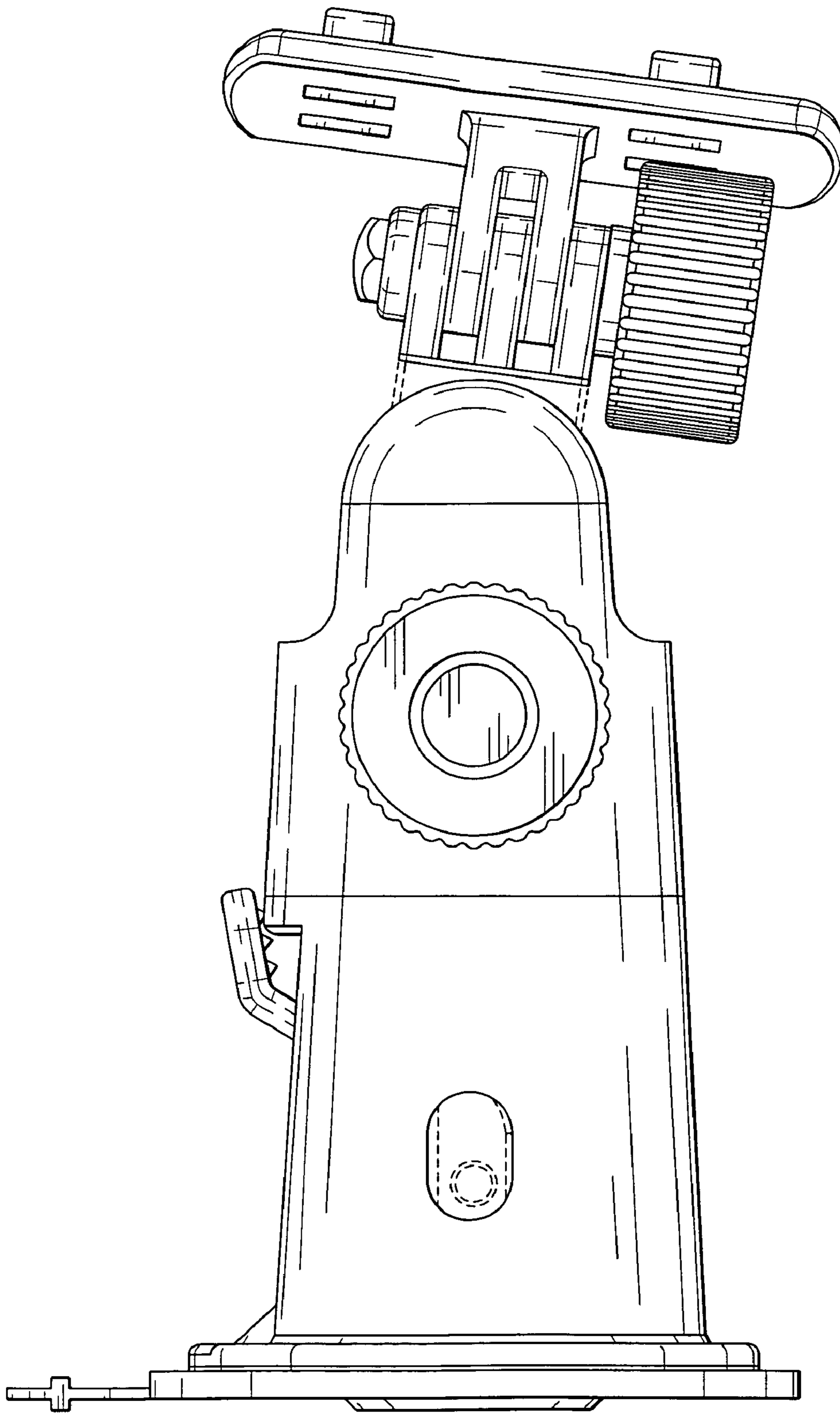


FIG. 2

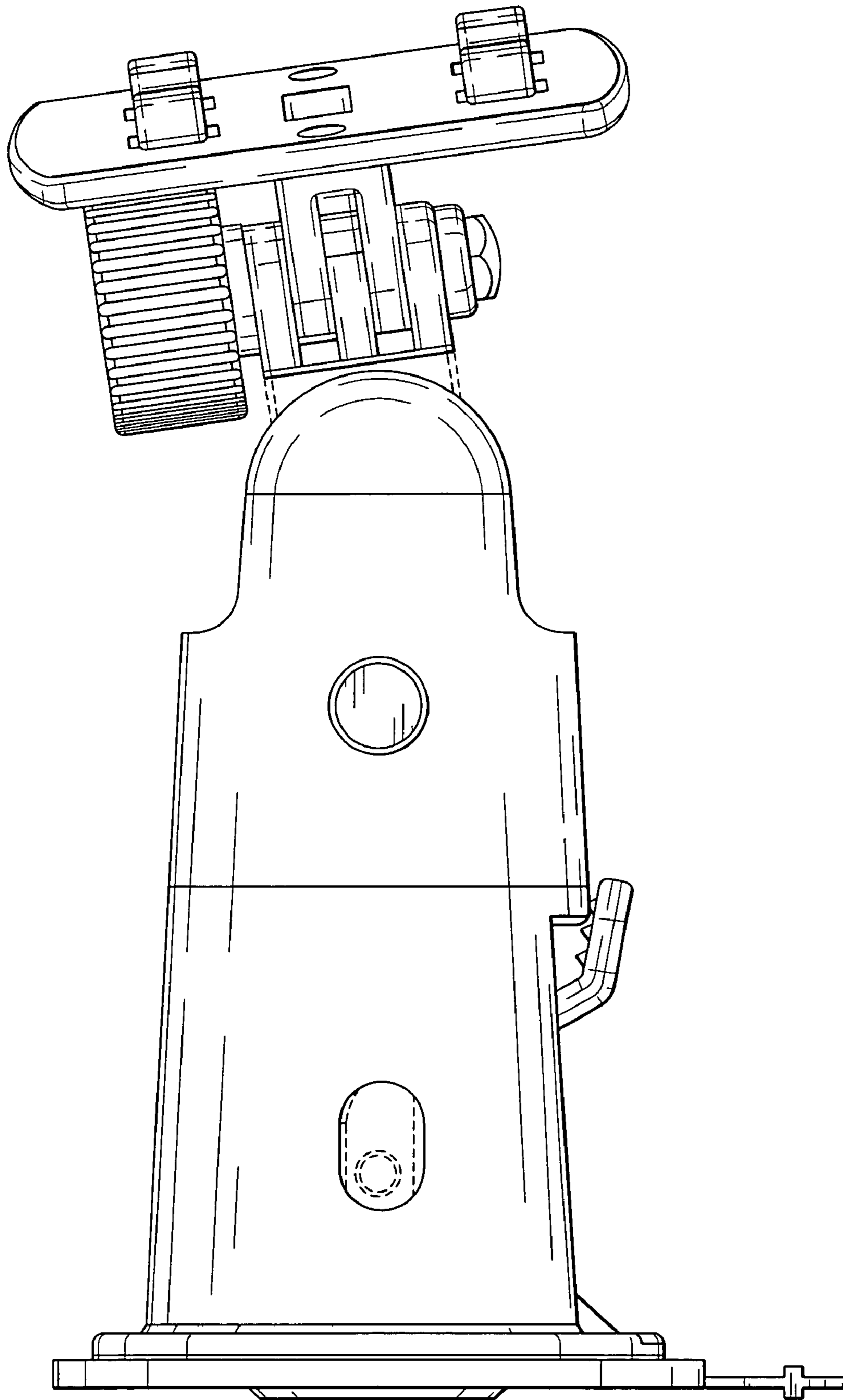


FIG. 3

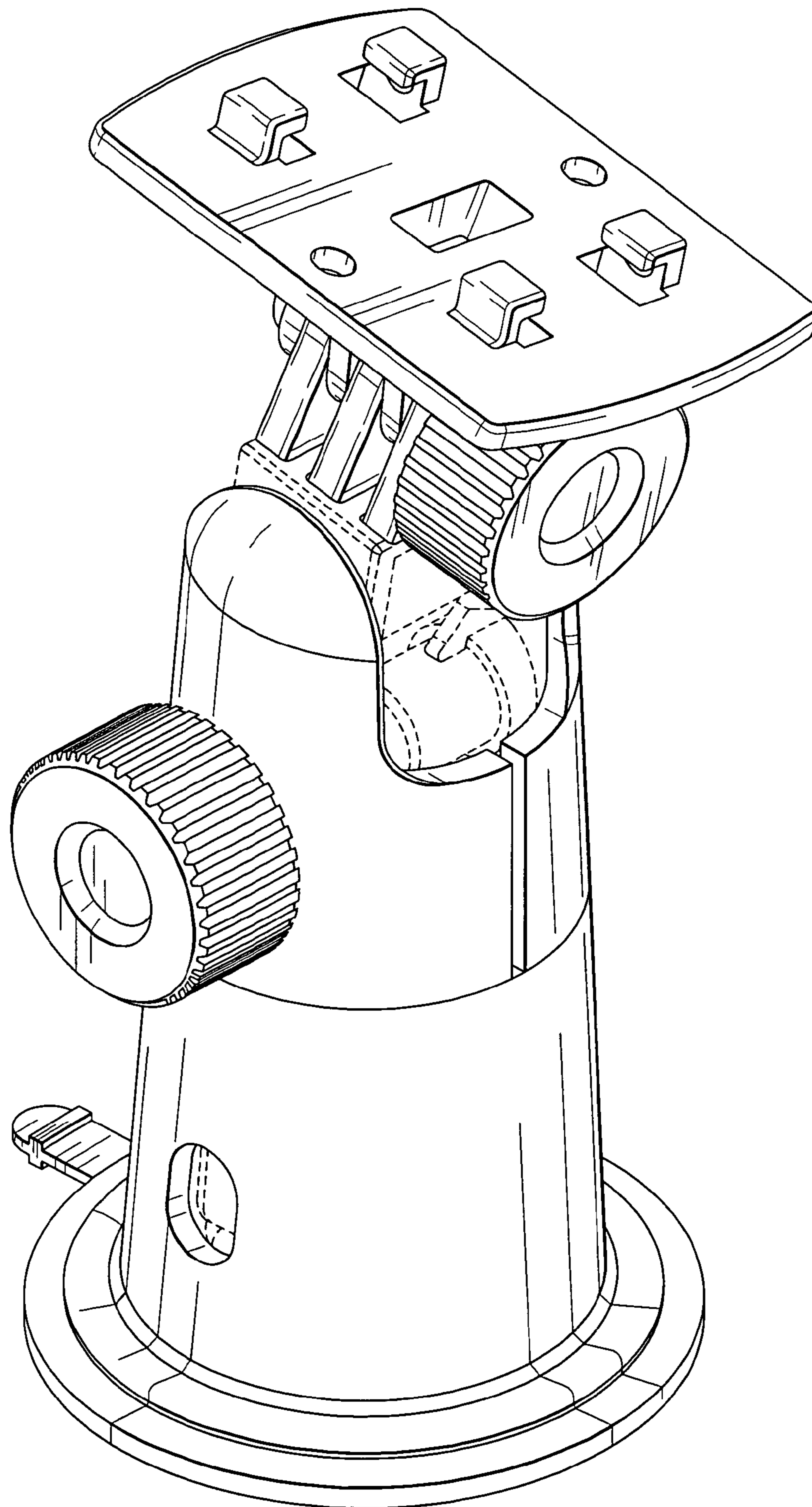


FIG. 4

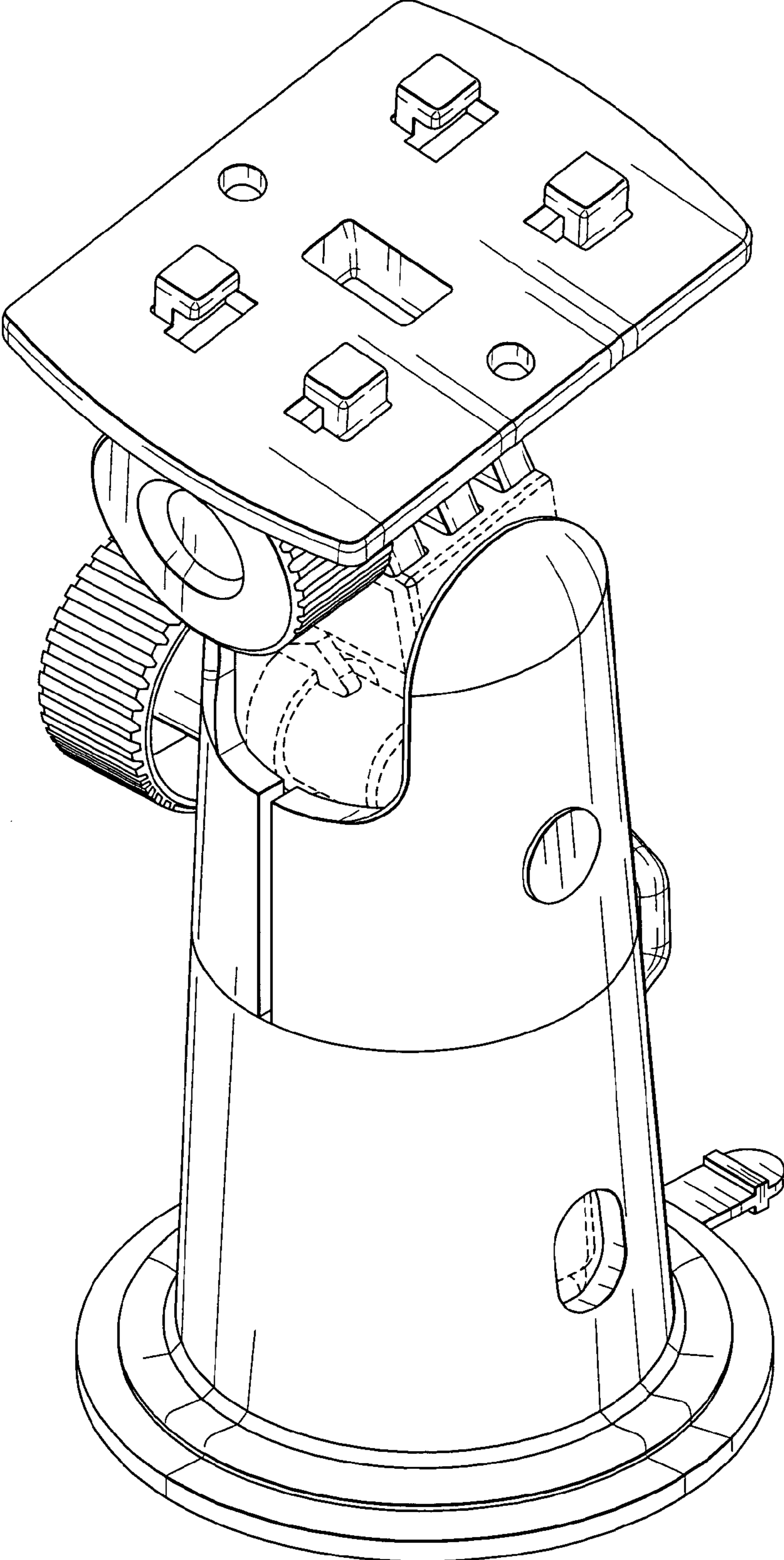
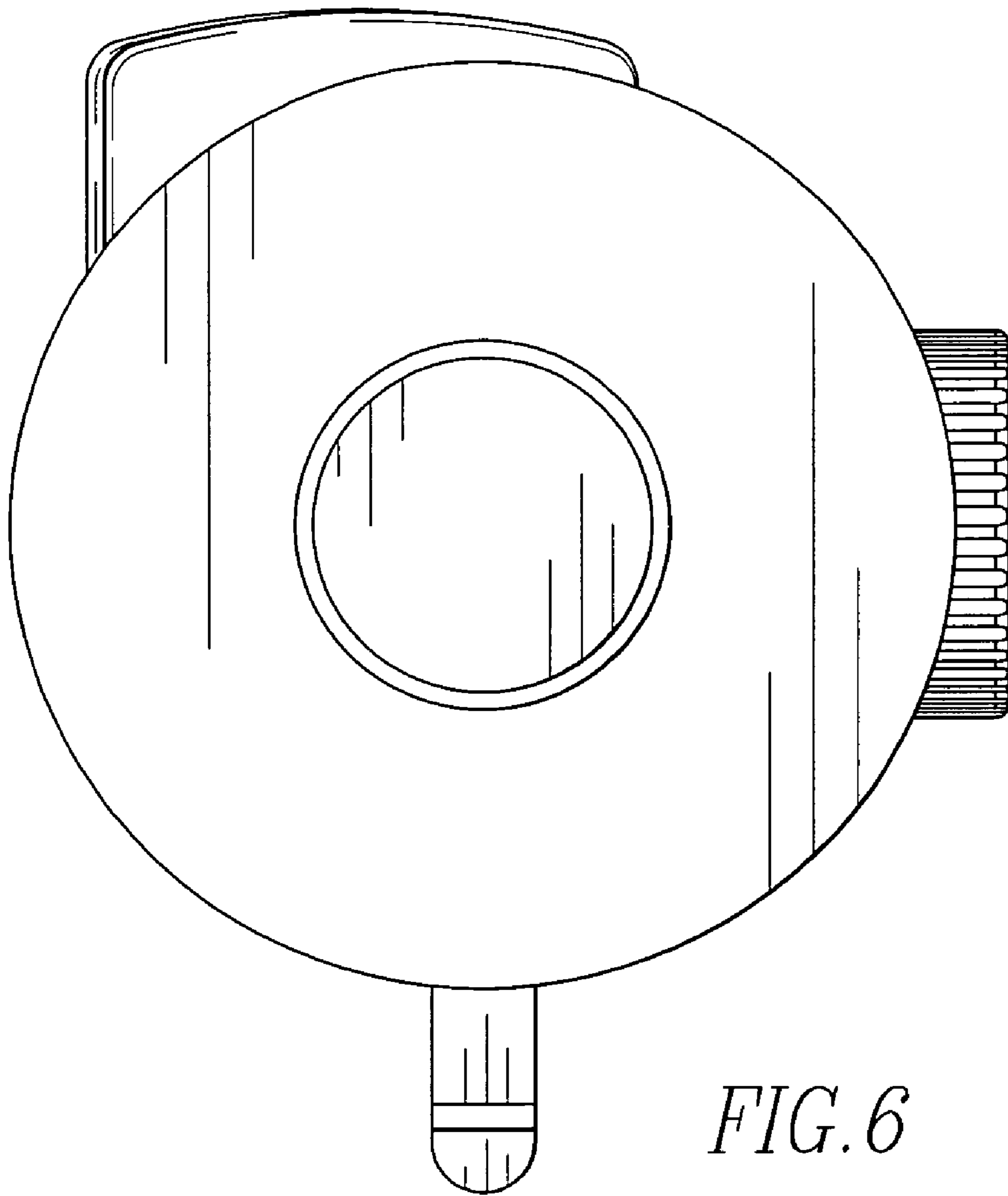


FIG. 5



*FIG. 6*