

US00D591754S

(12) **United States Design Patent**
Hwangbo et al.

(10) **Patent No.:** **US D591,754 S**

(45) **Date of Patent:** **** May 5, 2009**

(54) **MEMORY CARD**

(75) Inventors: **Hyung-Ho Hwangbo**, Seoul (KR);
Tae-Ho Kim, Yongin-si (KR); **Ri-Na Sin**, Seoul (KR)

(73) Assignee: **Samsung Electronics Co., Ltd.**,
Suwon-Si (KR)

(**) Term: **14 Years**

(21) Appl. No.: **29/321,315**

(22) Filed: **Jul. 15, 2008**

(51) **LOC (9) Cl.** **14-02**

(52) **U.S. Cl.** **D14/436**

(58) **Field of Classification Search** D14/435-438,
D14/478-480; 235/441, 443, 487, 492, 493,
235/495; 361/737, 679, 752, 736, 728, 796,
361/797, 729, 730, 725-727; 257/678, 679,
257/693, E23.064; 439/946, 948, 159; 174/250,
174/260, 52.1, 52.2; 710/300-303; 438/121
See application file for complete search history.

(56) **References Cited**

U.S. PATENT DOCUMENTS

5,155,663	A *	10/1992	Harase	361/684
5,660,568	A *	8/1997	Moshayedi	439/654
6,137,710	A *	10/2000	Iwasaki et al.	365/52
6,193,163	B1 *	2/2001	Fehrman et al.	235/488
6,333,854	B1 *	12/2001	Sasaoka et al.	361/737
6,447,306	B1 *	9/2002	Paredes et al.	439/76.1
6,457,647	B1 *	10/2002	Kurihashi et al.	235/486
6,480,390	B2 *	11/2002	Matsumiya et al.	361/736
6,577,500	B2 *	6/2003	Paredes et al.	361/686
6,612,498	B1 *	9/2003	Lipponen et al.	235/486
6,686,663	B2 *	2/2004	Masuda et al.	257/777
6,761,566	B2 *	7/2004	Chin-Lung et al.	439/76.1
6,764,346	B2 *	7/2004	Fujita et al.	439/638
6,780,062	B2 *	8/2004	Liu et al.	439/630

6,808,424	B2 *	10/2004	Kaneshiro et al.	439/638
7,053,471	B2 *	5/2006	Wada et al.	257/679
7,061,105	B2 *	6/2006	Masuda et al.	257/723
7,104,809	B1 *	9/2006	Huang	439/76.1
D531,181	S *	10/2006	Cuellar et al.	D14/436
7,118,421	B2 *	10/2006	Kadonaga et al.	439/638
D553,130	S *	10/2007	Fiorentino et al.	D14/356
D556,202	S *	11/2007	Kadonaga	D14/436
7,355,860	B2 *	4/2008	Miller et al.	361/737
7,427,032	B2 *	9/2008	Osako et al.	235/492
2003/0109179	A1 *	6/2003	Kaneshiro et al.	439/638
2003/0162445	A1 *	8/2003	Fujita et al.	439/638
2004/0087213	A1 *	5/2004	Kao	439/638
2005/0239335	A1 *	10/2005	Kadonaga et al.	439/638
2006/0194479	A1 *	8/2006	Osako et al.	439/638
2006/0282553	A1 *	12/2006	Miller et al.	710/11
2007/0099511	A1 *	5/2007	Miller et al.	439/630

* cited by examiner

Primary Examiner—Susan Moon Lee

(74) *Attorney, Agent, or Firm*—Staas & Halsey LLP

(57) **CLAIM**

The ornamental design for a memory card, as shown and described.

DESCRIPTION

FIG. 1 is a perspective view of a memory card according to our new design;

FIG. 2 is a front elevational view thereof;

FIG. 3 is a rear elevational view thereof;

FIG. 4 is a left side elevational view thereof;

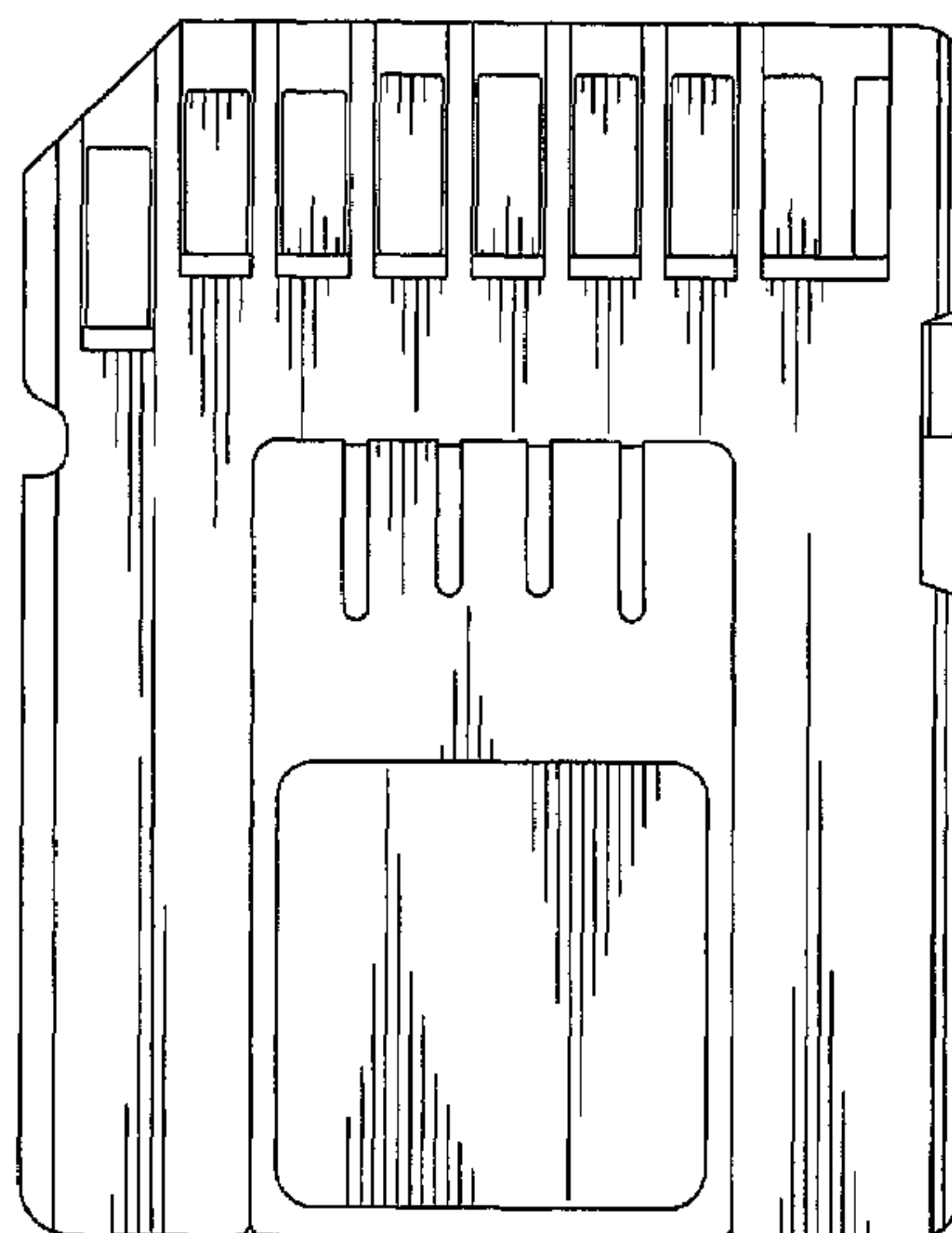
FIG. 5 is a right side elevational view thereof;

FIG. 6 is a top plan view thereof;

FIG. 7 is a bottom plan view thereof; and,

FIG. 8 is a three dimensional exploded view of a memory card according to our new design.

1 Claim, 6 Drawing Sheets



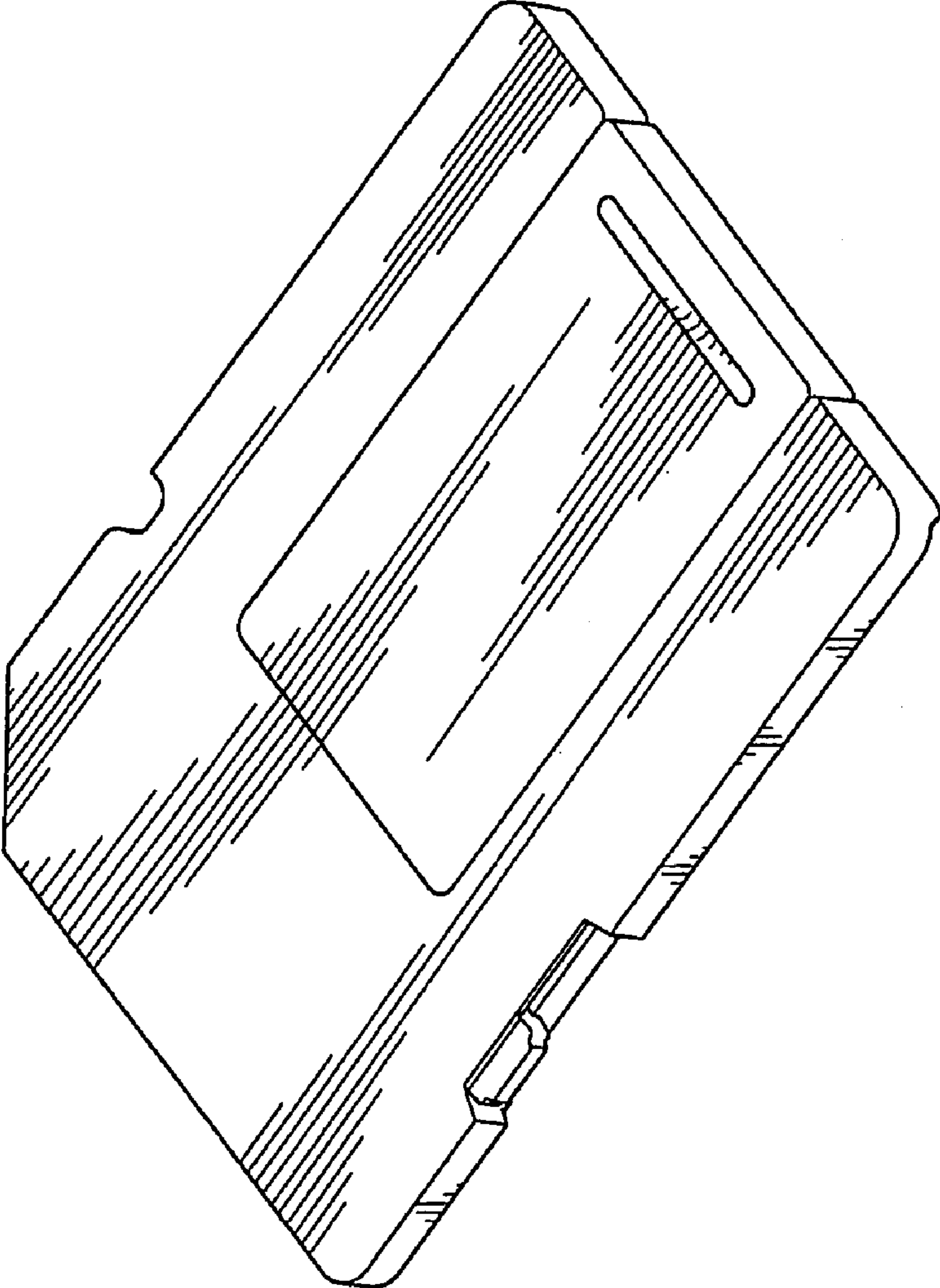


FIG.1

FIG.2

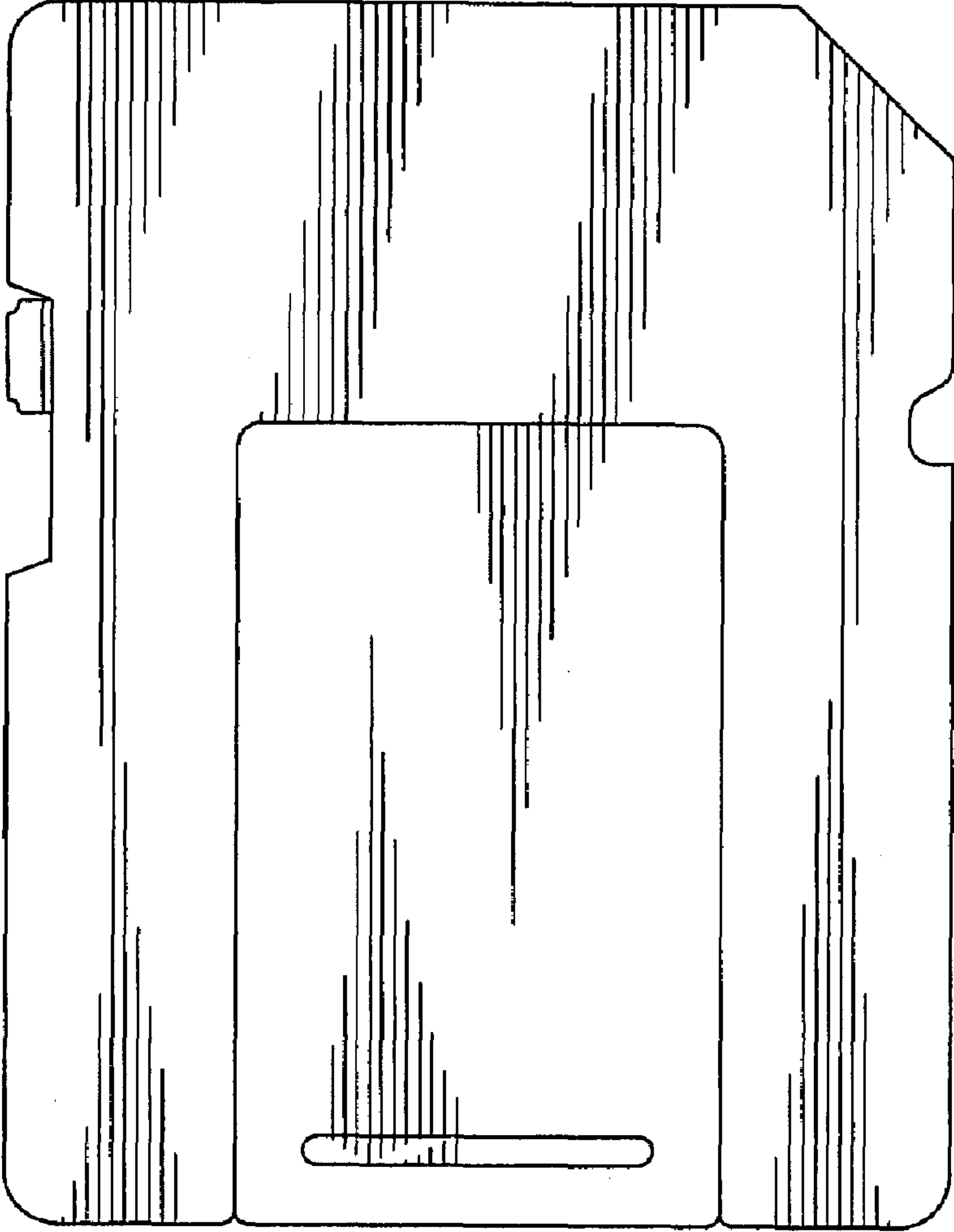


FIG.3

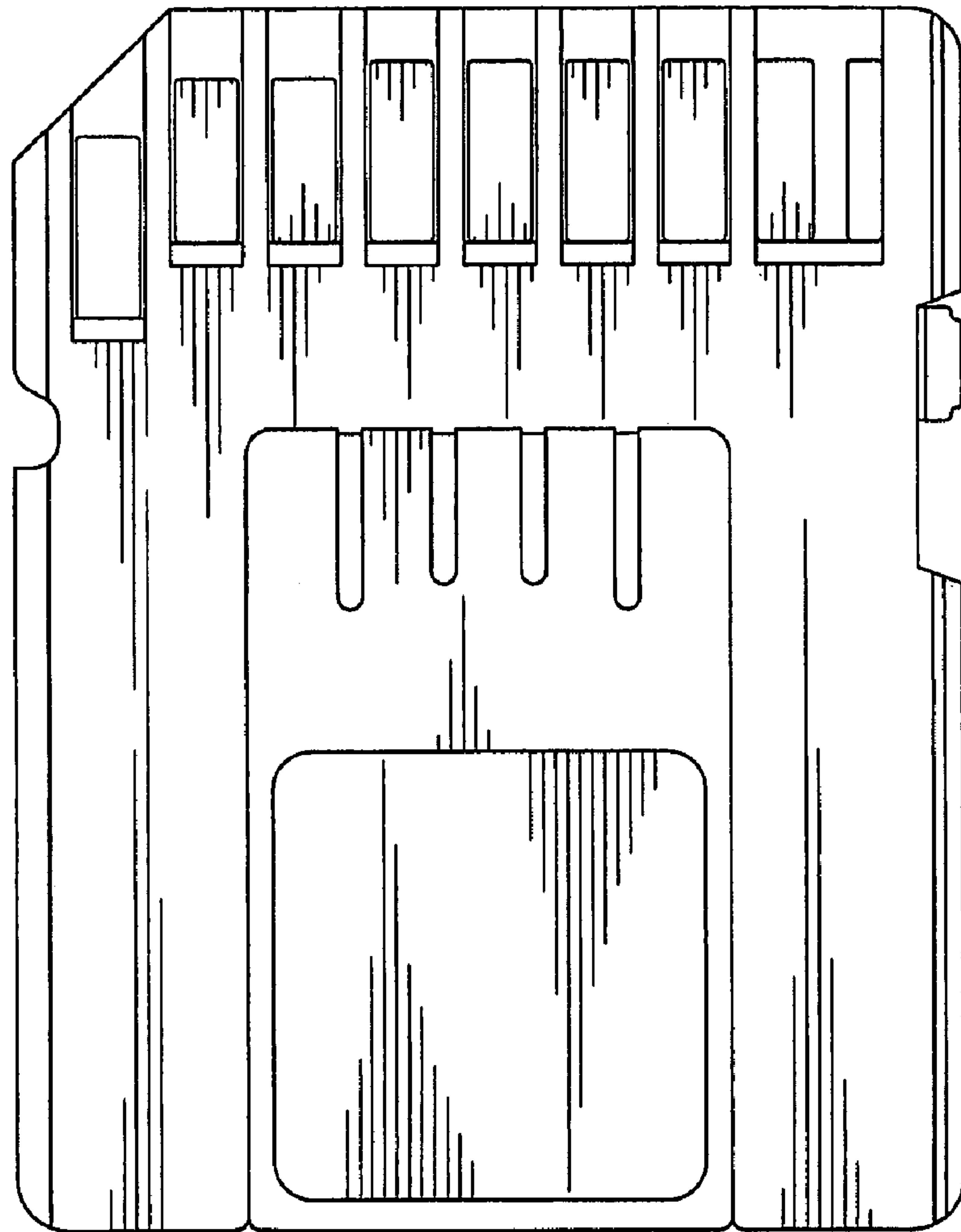


FIG.4

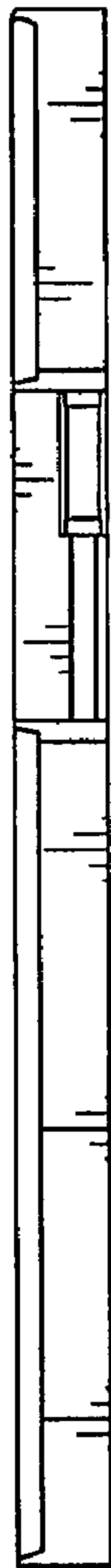


FIG.5

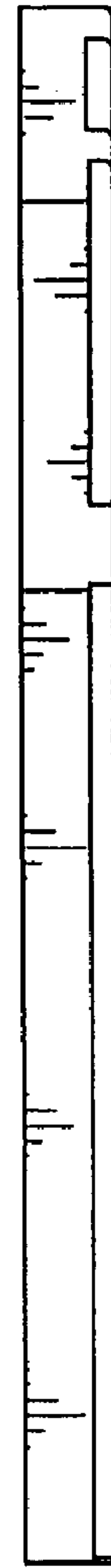
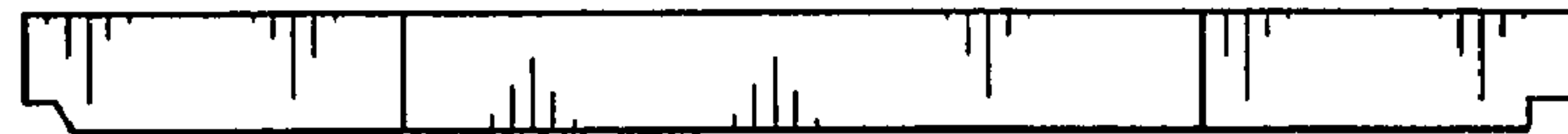


FIG.6



FIG.7



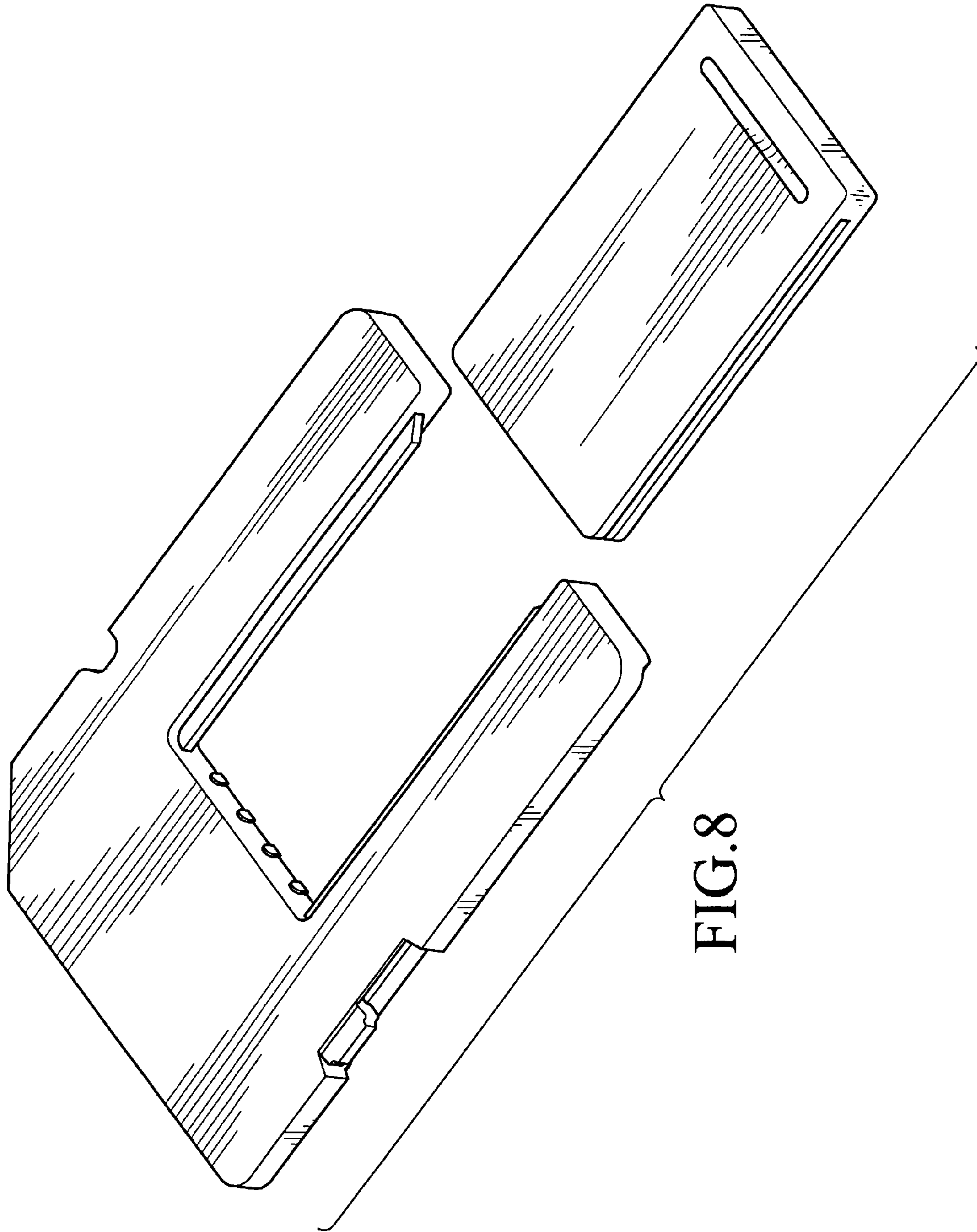


FIG. 8