



US00D591750S

(12) **United States Design Patent**  
**Wang**

(10) **Patent No.:** **US D591,750 S**  
(45) **Date of Patent:** **\*\* May 5, 2009**

(54) **UNIVERSAL SERIAL BUS HUB**  
(75) Inventor: **Ning Wang**, Shenzhen (CN)  
(73) Assignee: **Hon Hai Precision Industry Co., Ltd.**,  
Tu-Cheng, Taipei Hsien (TW)  
(\*\*) Term: **14 Years**  
(21) Appl. No.: **29/323,212**  
(22) Filed: **Aug. 20, 2008**  
(30) **Foreign Application Priority Data**  
Jun. 26, 2008 (CN) ..... 2008 3 0300900

2,134,812 A \* 11/1938 Dick ..... 16/432  
2,187,493 A \* 1/1940 Gordon ..... 473/609  
D194,105 S \* 11/1962 More ..... D13/137.2  
3,148,539 A \* 9/1964 Cook ..... 73/804  
3,597,874 A \* 8/1971 Ogsbury et al. .... 446/104  
3,706,158 A \* 12/1972 Jensen ..... 446/92  
D251,293 S \* 3/1979 Trueblood ..... D13/137.2  
D276,544 S \* 11/1984 Piesco ..... D23/254  
D291,174 S \* 8/1987 Koziol ..... D8/38  
D317,816 S \* 6/1991 Robbins ..... D23/250  
D340,480 S \* 10/1993 Cummings ..... D21/437  
5,769,681 A \* 6/1998 Greenwood et al. .... 446/120  
D400,602 S \* 11/1998 Glickman et al. .... D21/484  
D406,562 S \* 3/1999 Al-Sabah ..... D13/137.2  
D439,378 S \* 3/2001 Loomis ..... D30/160  
6,315,617 B1 \* 11/2001 Al-Sabah ..... 439/652

(51) **LOC (9) Cl.** ..... **14-02**  
(52) **U.S. Cl.** ..... **D14/434**  
(58) **Field of Classification Search** ..... D14/432-434,  
D14/240, 238, 451, 356, 357, 358, 299, 339,  
D14/256, 353, 300, 223; D13/146, 147,  
D13/184, 123, 108, 164, 199, 101, 133, 165,  
D13/139.6-139.8, 137.2; 361/600, 752,  
361/728, 622, 723, 702, 724, 725, 683-686,  
361/732, 733, 735, 730, 729, 785; 710/305,  
710/313, 2, 303, 8, 100, 62-64, 72, 314-317;  
439/501, 502, 131, 701, 535, 752.5, 638,  
439/928, 652, 654, 650, 536, 74, 76.1, 528,  
439/623, 639, 490, 910; 312/223.1; 257/711,  
257/712; D1/127; 397/90.01, 93.01, 93.05;  
709/223, 224; 345/168, 156; 473/424, 590,  
473/594; 606/234-236; 441/80; 446/220,  
446/34; 385/135, 16-18, 92; D30/160; D21/436,  
D21/437, 473, 803, 609, 406, 408; D24/194;  
379/433.01, 434, 419, 413.04; 220/4.02;  
D11/96, 90; D23/250, 252, 263; D8/DIG. 2  
See application file for complete search history.

(56) **References Cited**  
**U.S. PATENT DOCUMENTS**  
547,764 A \* 10/1895 Nicholas ..... 446/256  
1,100,286 A \* 6/1914 Cornelius ..... 74/553  
D50,377 S \* 2/1917 Ehrlich ..... D24/138  
D75,863 S \* 7/1928 Nicholas ..... D23/250

(Continued)

*Primary Examiner*—Susan Moon Lee  
(74) *Attorney, Agent, or Firm*—Frank R. Niranjan

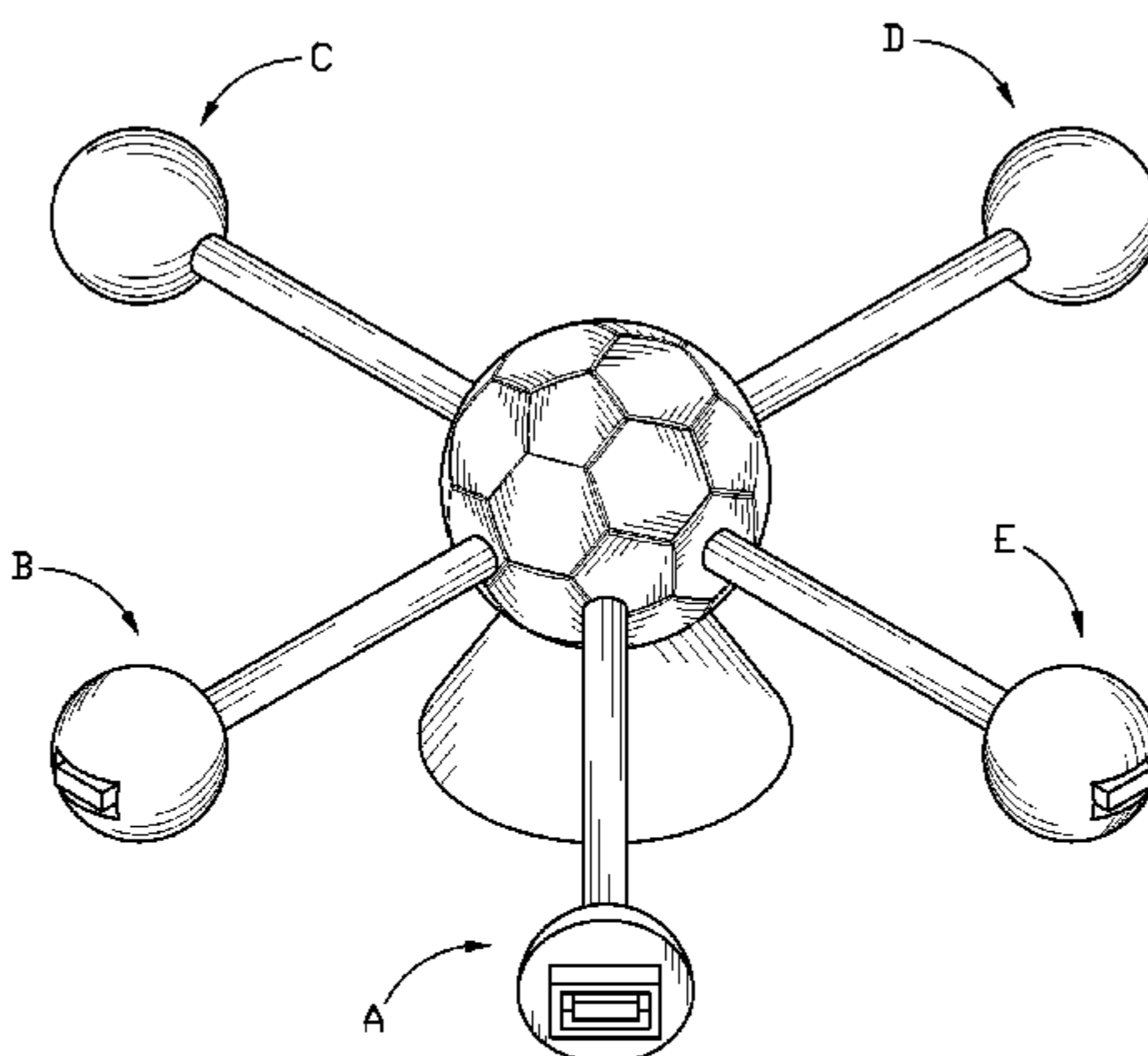
(57) **CLAIM**

The ornamental design for a universal serial bus hub, as shown and described.

**DESCRIPTION**

FIG. 1 is a perspective view of a universal serial bus hub showing my design;  
FIG. 2 is a top plan view thereof;  
FIG. 3 is a bottom plan view thereof;  
FIG. 4 is an elevational view facing part B thereof;  
FIG. 5 is an elevational view facing part C thereof; and,  
FIG. 6 is an elevational view facing part A thereof.  
The broken lines are for illustrative purposes only and form no part of the claimed design. Elevational views facing parts D and E are mirror images of FIGS. 4 and 5, respectively, and therefore omitted.

**1 Claim, 6 Drawing Sheets**



# US D591,750 S

Page 2

---

## U.S. PATENT DOCUMENTS

D475,766 S *	6/2003	Tolosa .....	D23/250	D513,628 S *	1/2006	Andersen .....	D21/404
6,572,429 B2 *	6/2003	Cheung .....	446/120	7,066,767 B2 *	6/2006	Liao .....	439/639
6,709,297 B2 *	3/2004	Lee .....	439/638	D572,251 S	7/2008	Lee	
D503,954 S *	4/2005	Balanchi .....	D21/489	2001/0029904 A1 *	10/2001	Viola .....	119/707
D504,162 S *	4/2005	Andersen .....	D21/404	2003/0181105 A1 *	9/2003	Lee .....	439/638

\* cited by examiner

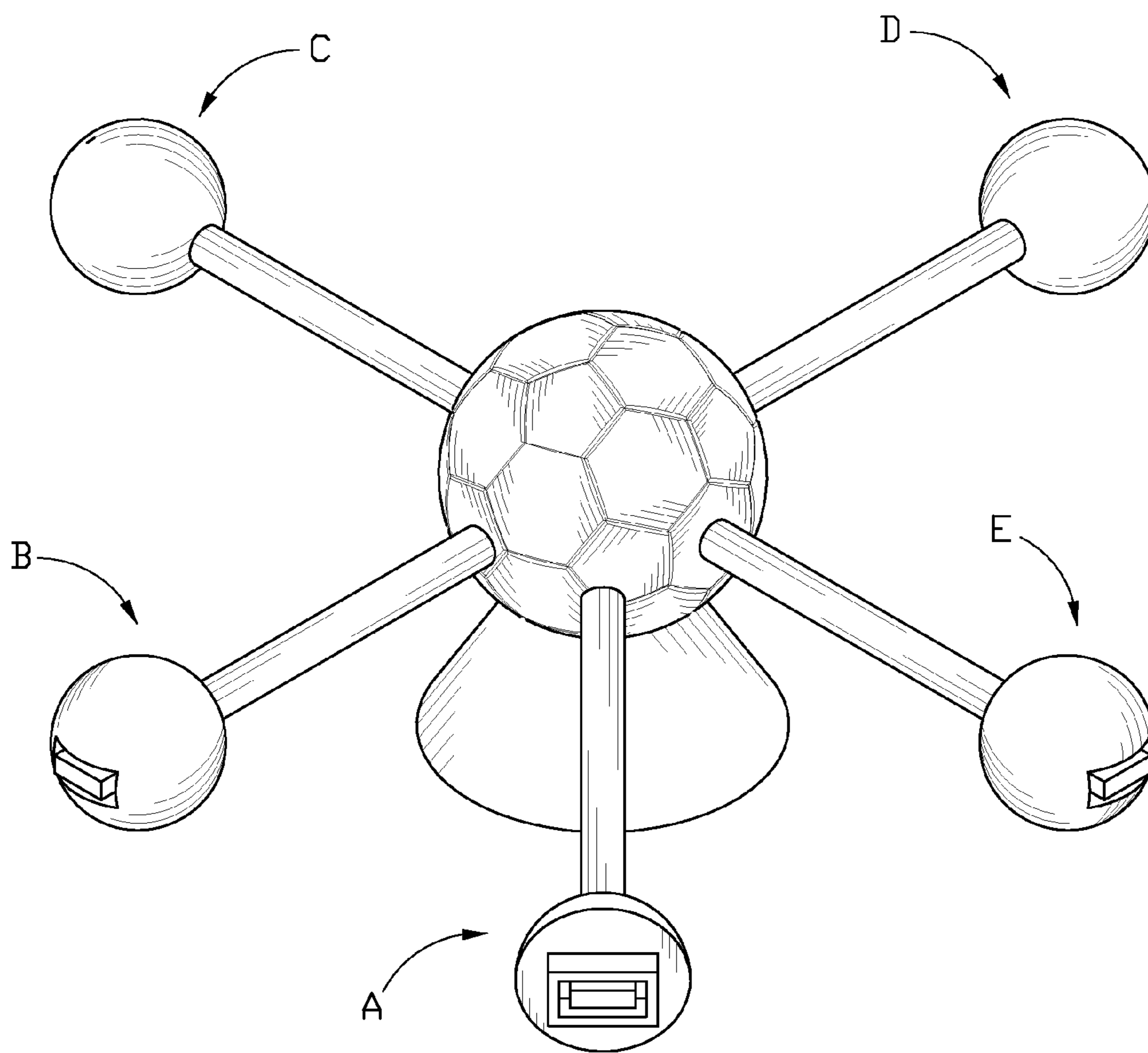


FIG. 1

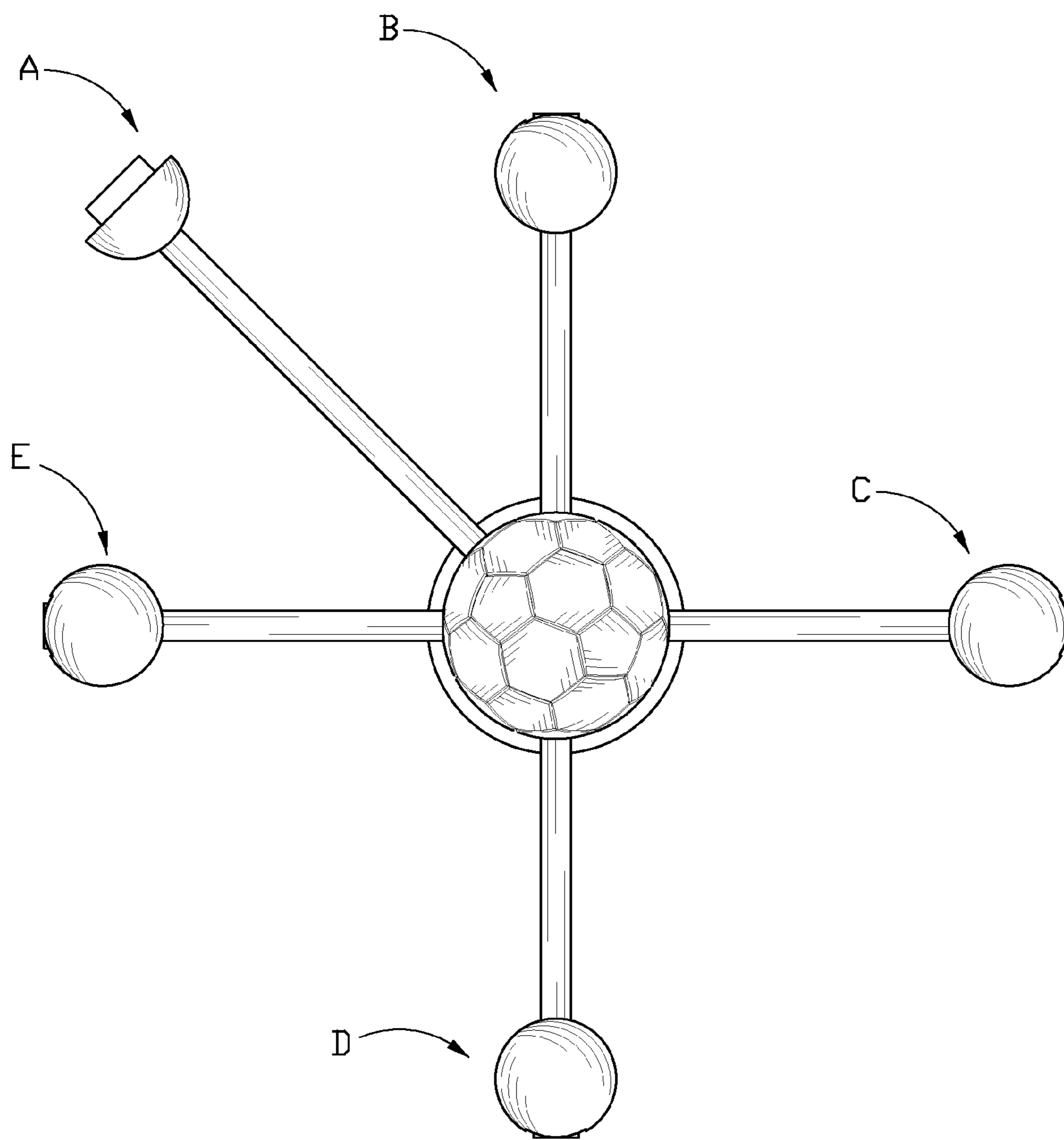


FIG. 2

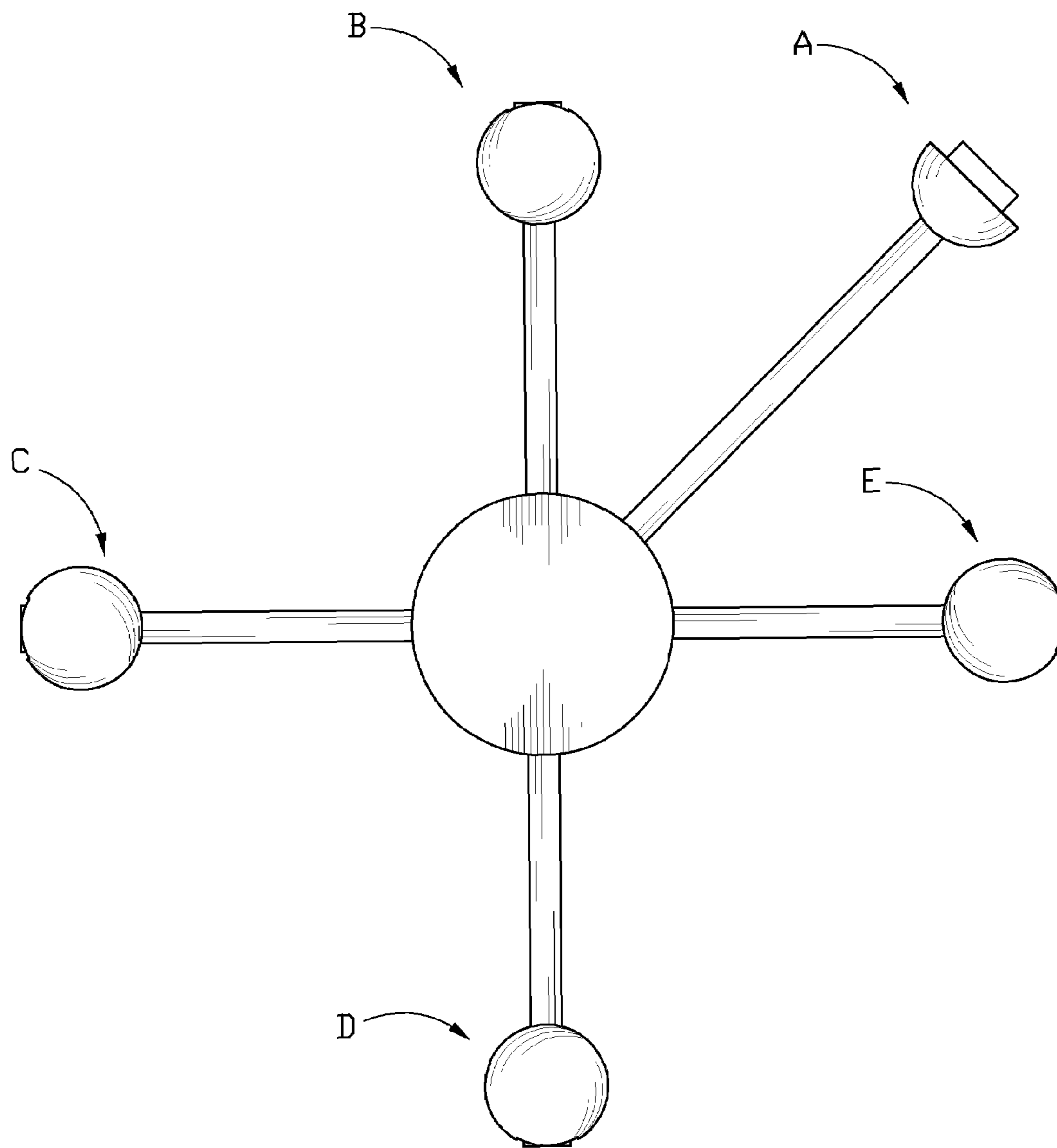


FIG. 3

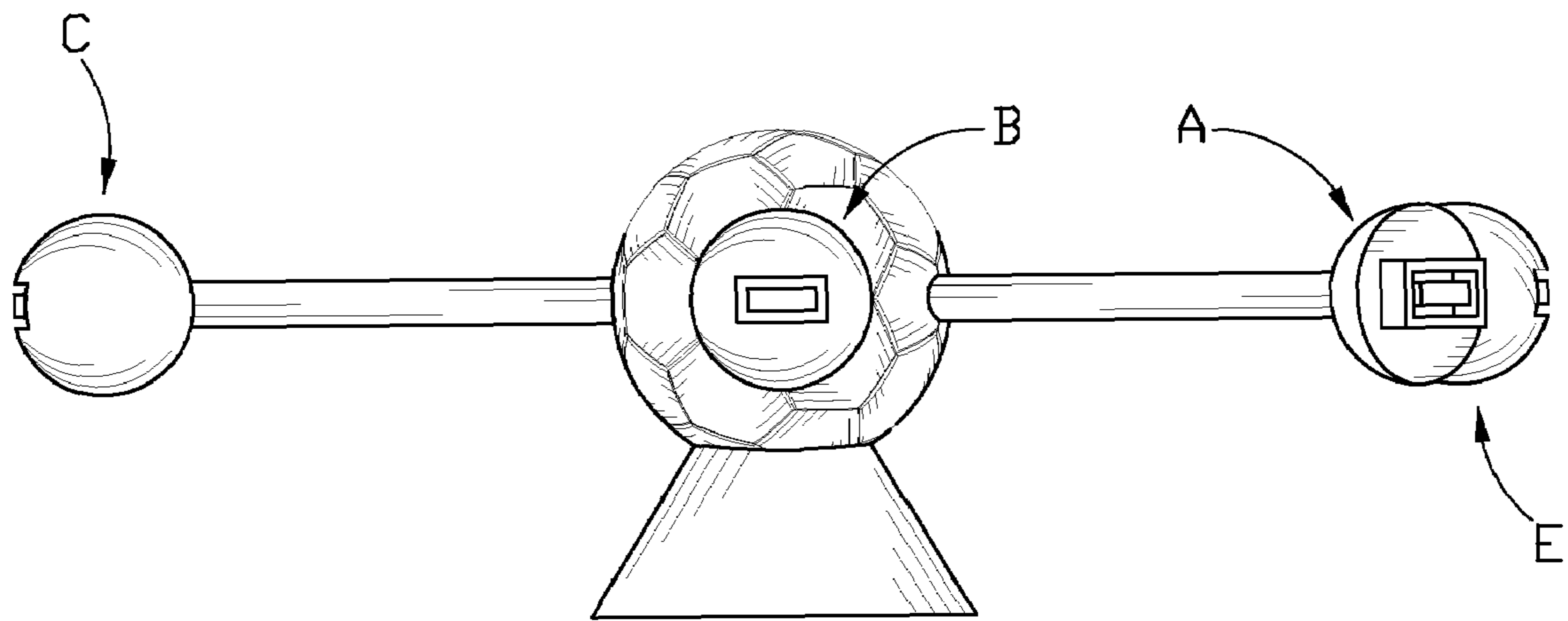


FIG. 4

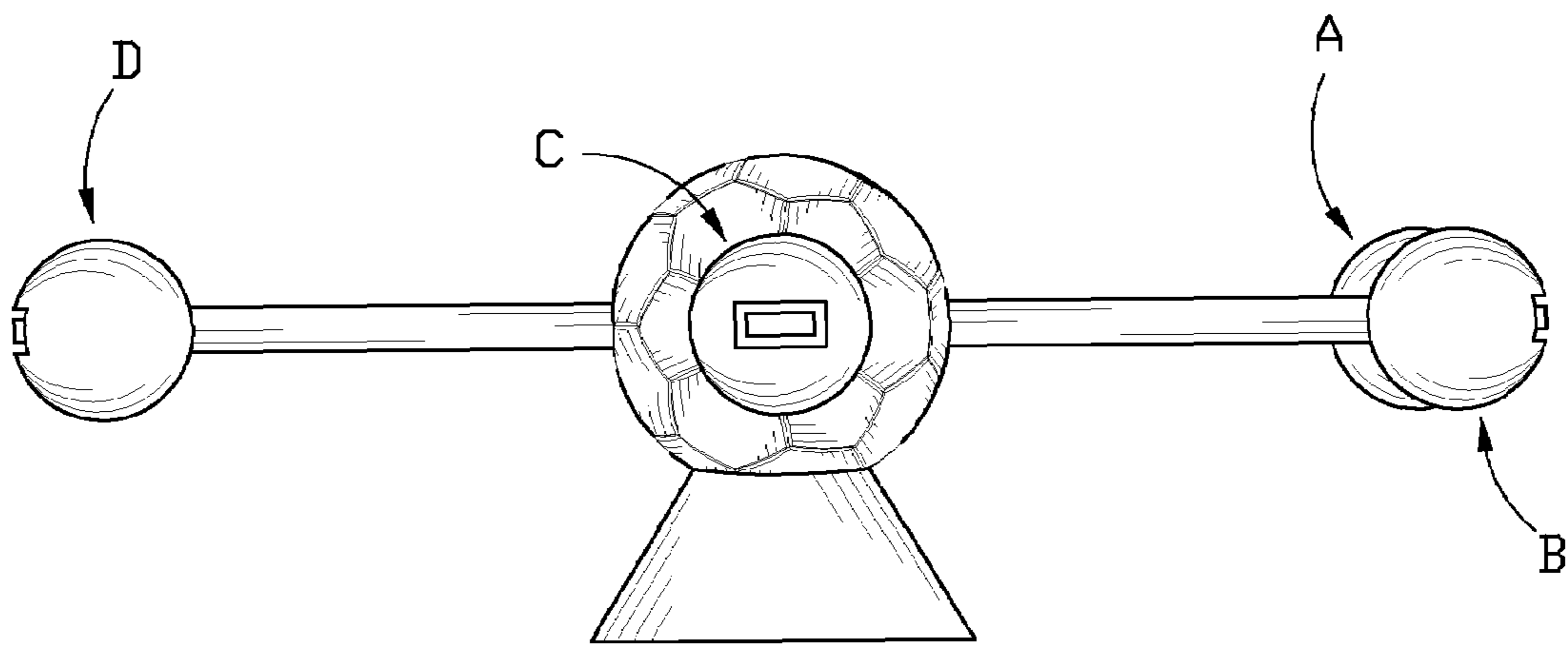


FIG. 5

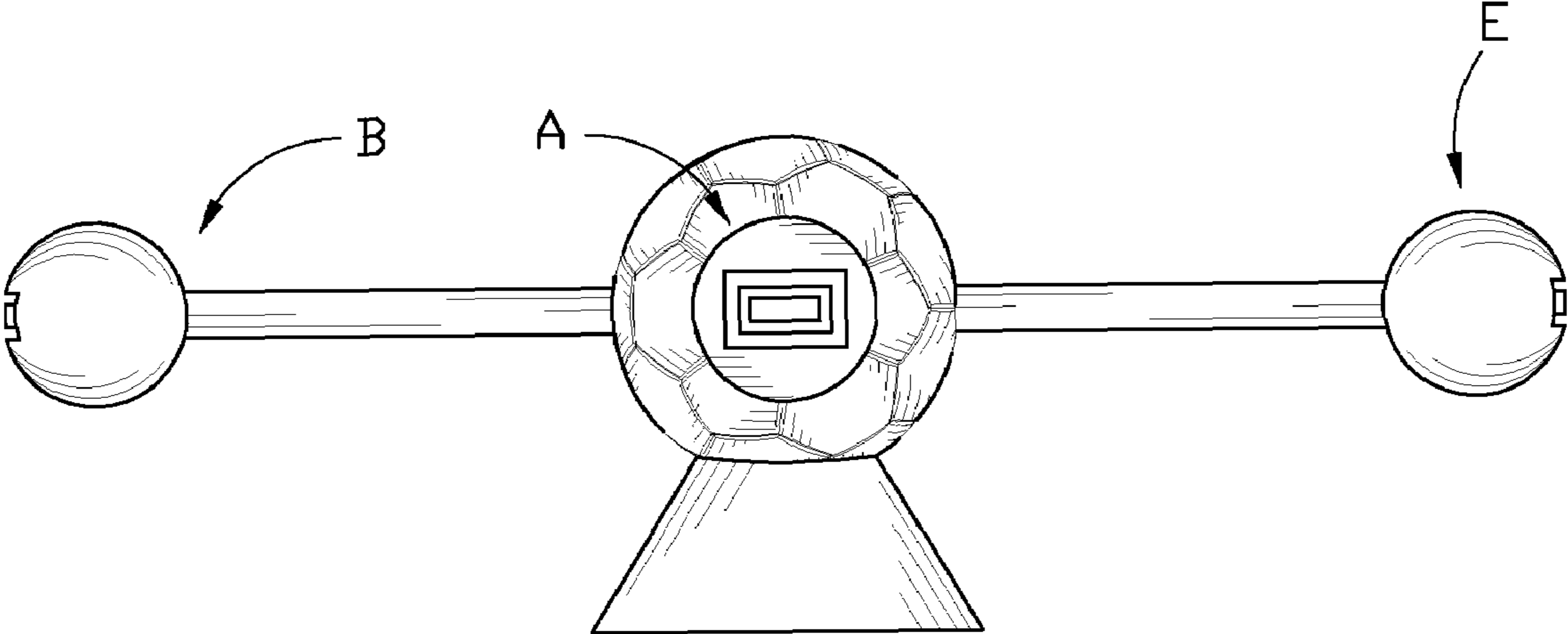


FIG. 6