



US00D591748S

(12) **United States Design Patent**
Hu et al.

(10) **Patent No.:** **US D591,748 S**
(45) **Date of Patent:** **** May 5, 2009**

(54) **MOUSE**

(75) Inventors: **Wei Hu**, Shenzhen (CN); **Tzu-Cheng Yu**, Santa Clara, CA (US); **Yong Xiong**, Shenzhen (CN); **Hong-Xiu Luo**, Shenzhen (CN)

(73) Assignee: **FIH (Hong Kong) Limited**, Kowloon (HK)

(**) Term: **14 Years**

(21) Appl. No.: **29/322,140**

(22) Filed: **Jul. 30, 2008**

(30) **Foreign Application Priority Data**

Jun. 26, 2008 (CN) 2008 3 0300902

(51) **LOC (9) Cl.** **14-02**

(52) **U.S. Cl.** **D14/402**

(58) **Field of Classification Search** D14/402-410,
D14/417; 235/472.01; 345/156-167; 365/49;
463/36-38; 200/5 A, 5 R, 6 A, 6 R; 273/148 B;
D21/333

See application file for complete search history.

(56) **References Cited**

U.S. PATENT DOCUMENTS

D431,567 S * 10/2000 You D14/408
D437,852 S * 2/2001 Ledbetter et al. D14/402
D460,072 S * 7/2002 Sheehan D14/408
D467,925 S * 12/2002 Hu et al. D14/408

D471,198 S * 3/2003 Guo et al. D14/402
D474,769 S * 5/2003 Fisher et al. D14/408
D479,529 S * 9/2003 Sheehan et al. D14/408
D481,391 S * 10/2003 Lee et al. D14/408
6,650,316 B2 * 11/2003 Su 345/163
D494,972 S * 8/2004 Chen D14/402
D504,133 S * 4/2005 Canavan et al. D14/402
D528,118 S * 9/2006 Canavan et al. D14/407
D552,092 S * 10/2007 Fisher et al. D14/402

* cited by examiner

Primary Examiner—Pamela J Burgess

(74) *Attorney, Agent, or Firm*—Steven M. Reiss

(57) **CLAIM**

The ornamental design for a mouse, as shown and described.

DESCRIPTION

FIG. 1 is a perspective view of a mouse showing our new design;

FIG. 2 is a front elevational view thereof;

FIG. 3 is a rear elevational view thereof;

FIG. 4 is a left side elevational view thereof;

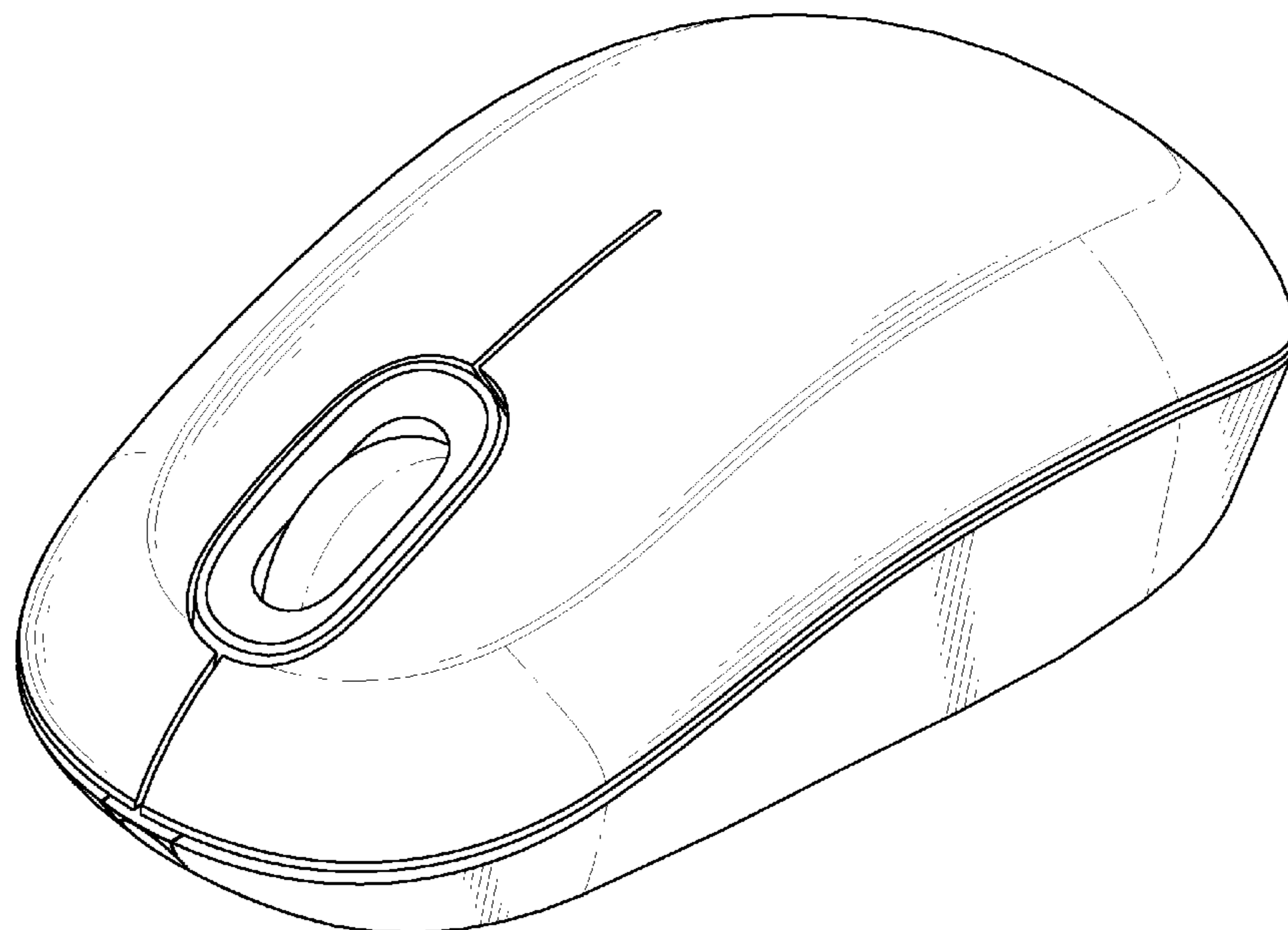
FIG. 5 is a right side elevational view thereof;

FIG. 6 is a top plan view thereof; and,

FIG. 7 is a bottom plan view thereof.

The broken lines of all figures are for the purpose of illustrating environment and form no part of the claimed design.

1 Claim, 7 Drawing Sheets



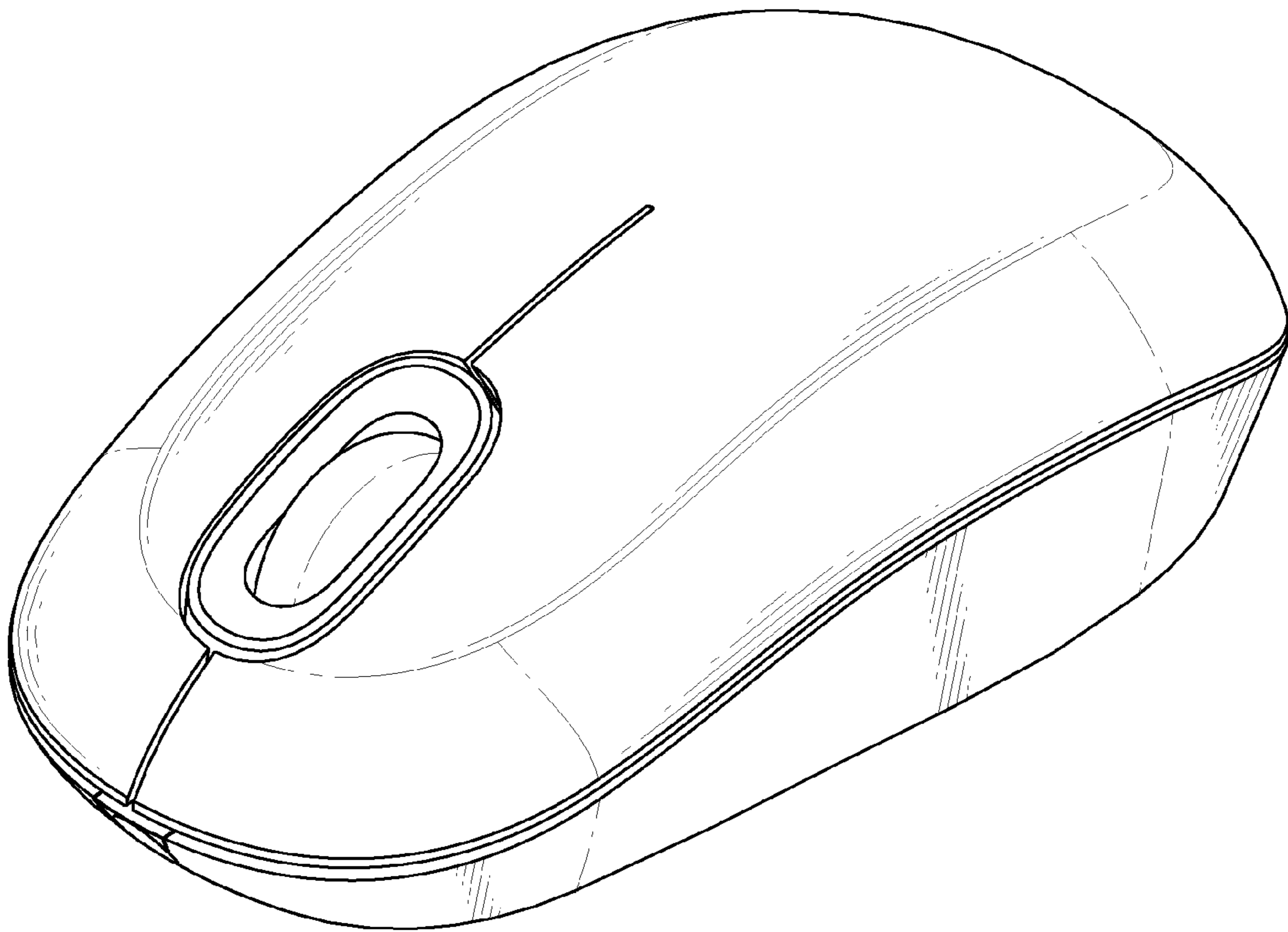


FIG. 1

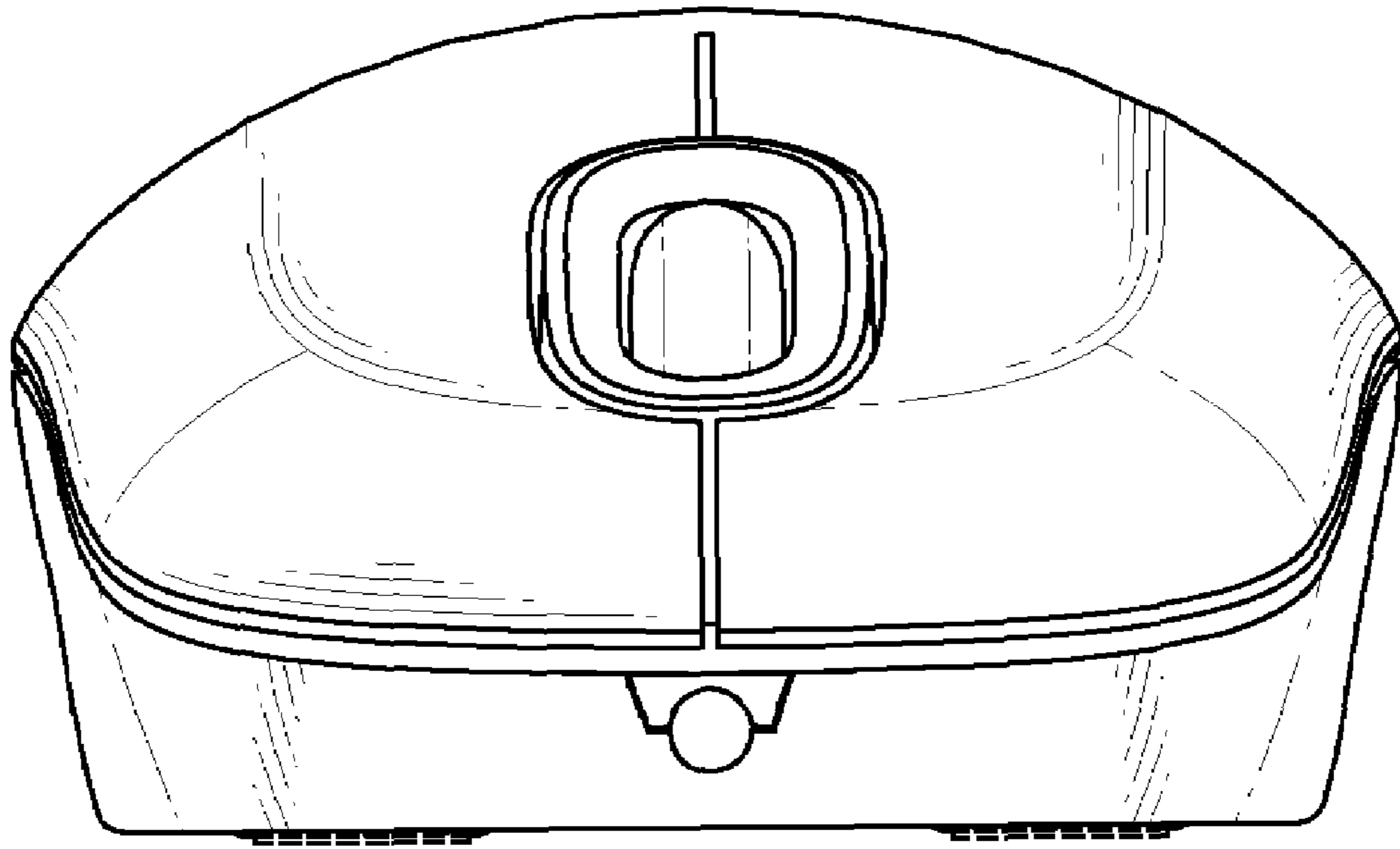


FIG. 2

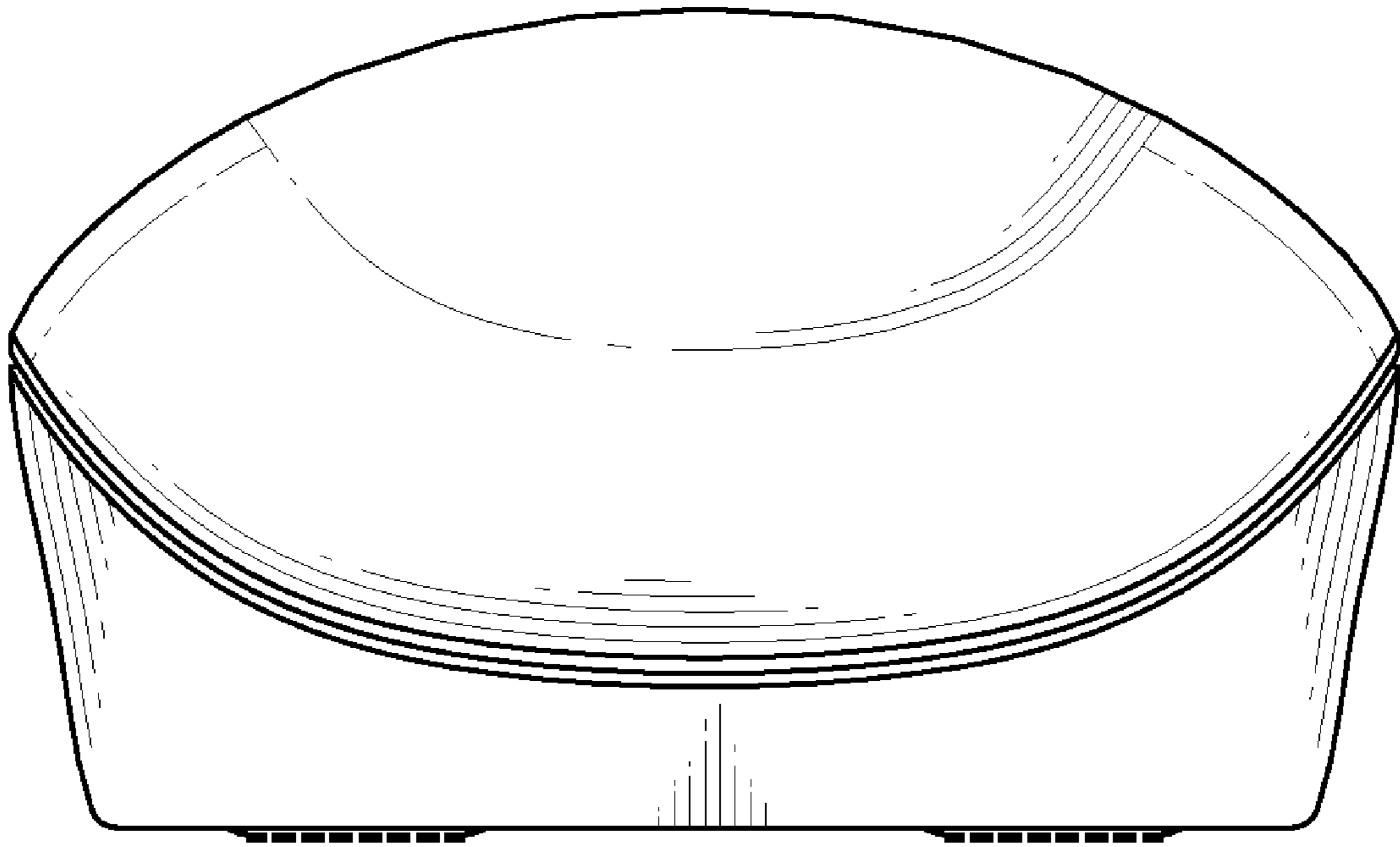


FIG. 3

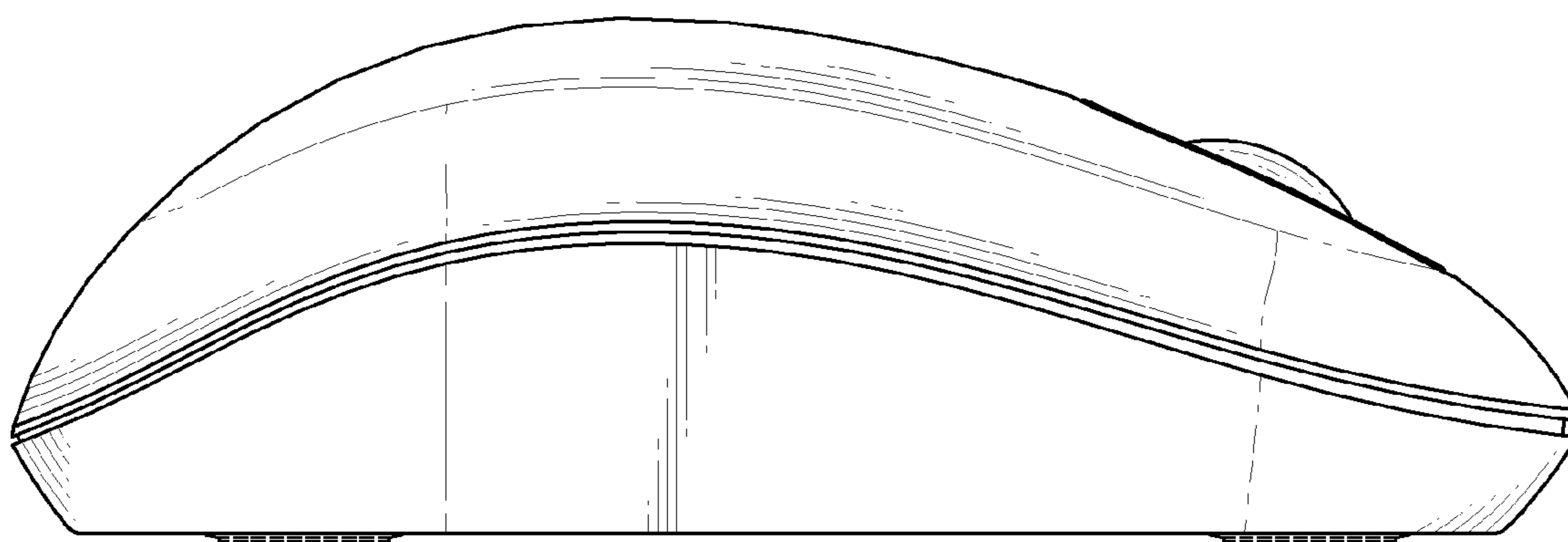


FIG. 4

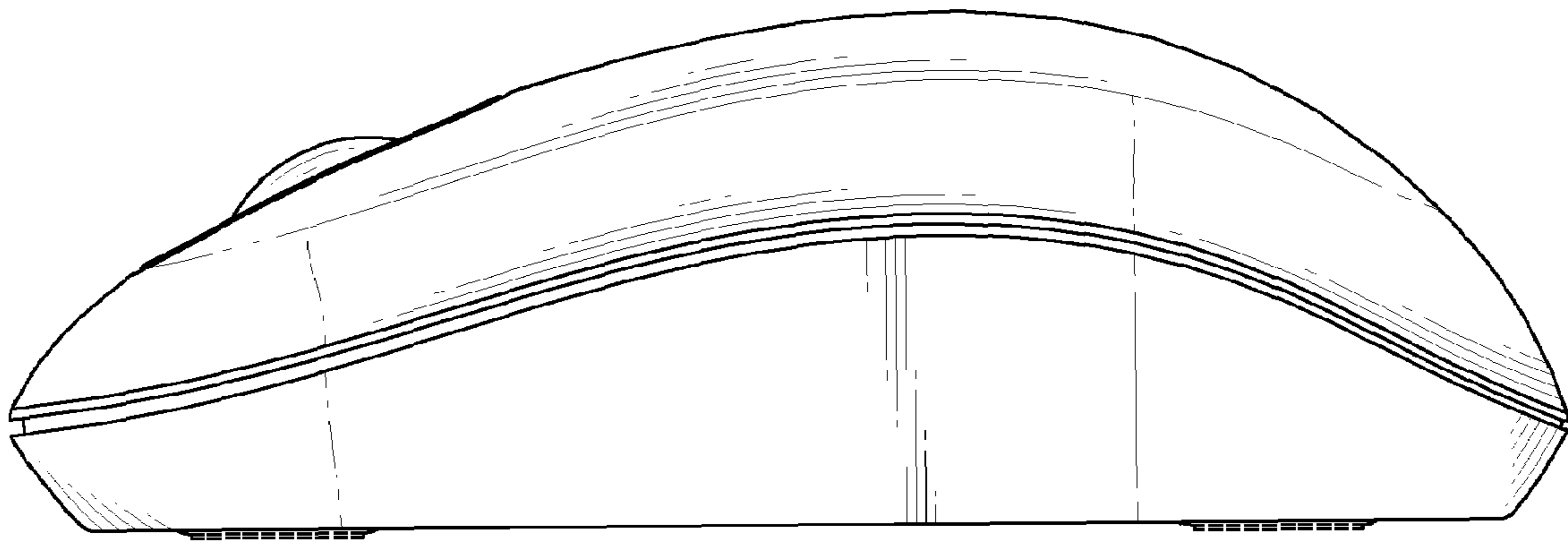


FIG. 5

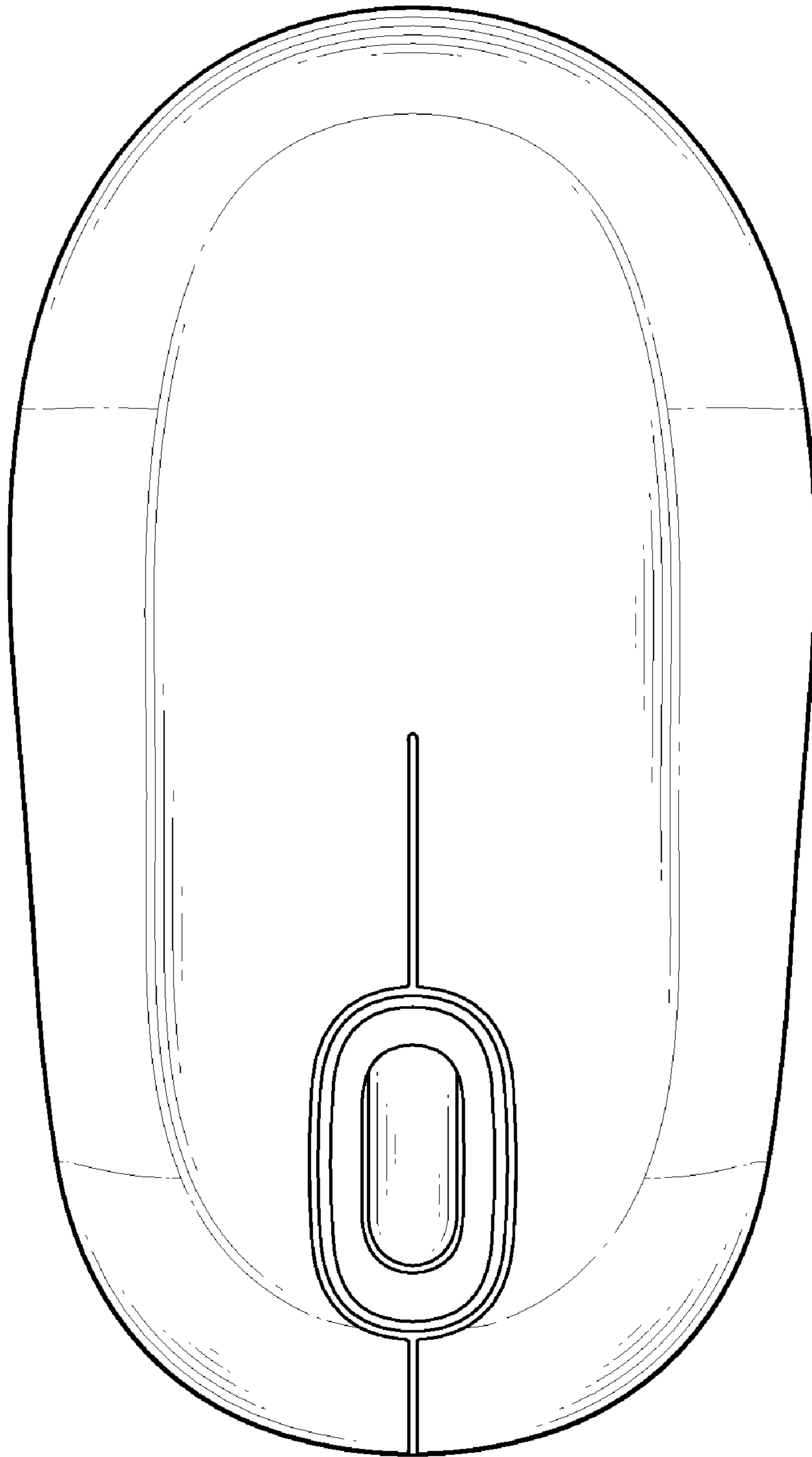


FIG. 6

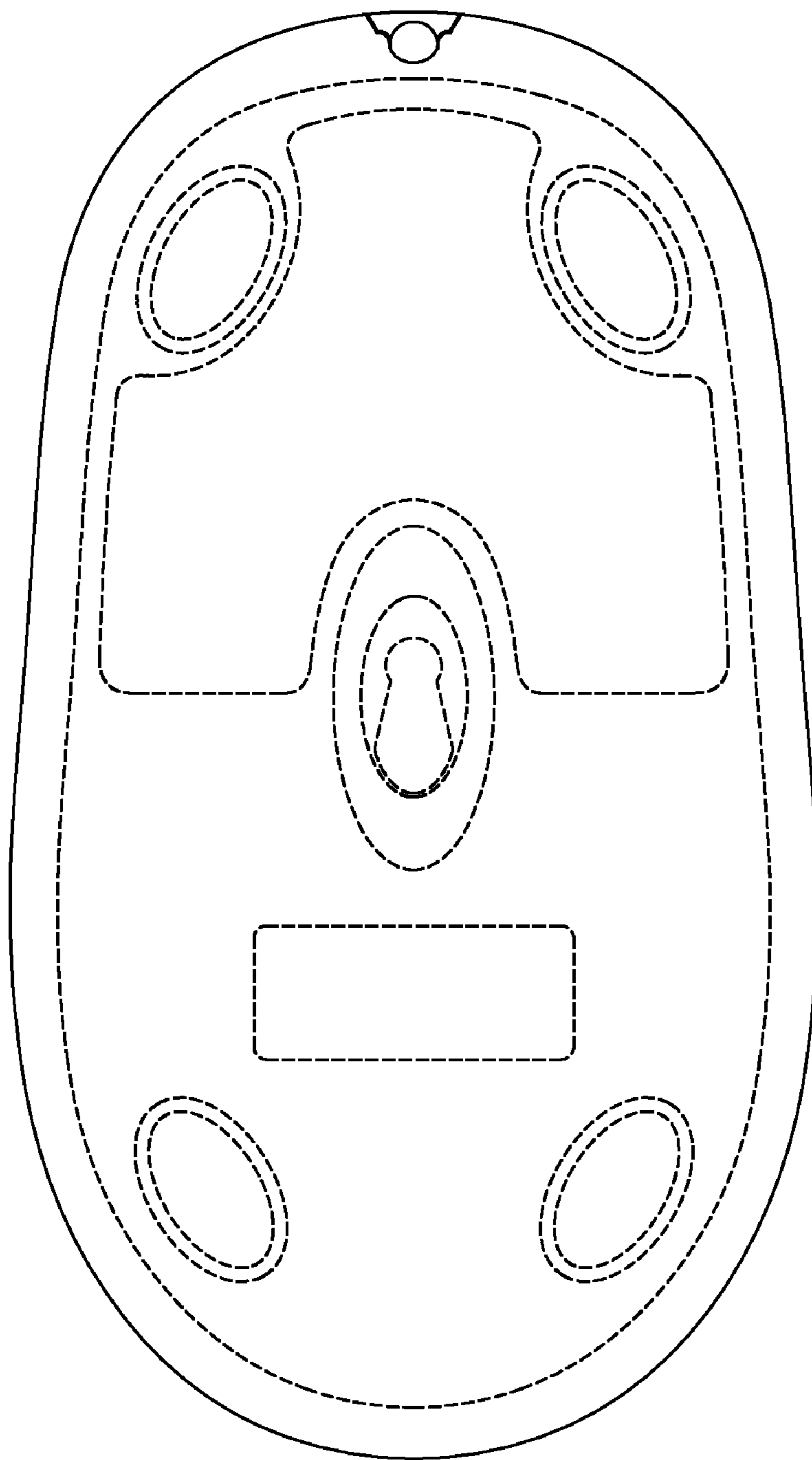


FIG. 7