



US00D591746S

(12) **United States Design Patent**
Kimura et al.

(10) **Patent No.:** **US D591,746 S**

(45) **Date of Patent:** **** May 5, 2009**

(54) **CHECK SCANNER**

(75) Inventors: **Seiji Kimura**, Shiojiri (JP); **Kenichi Hirabayashi**, Shiojiri (JP); **Yoshiki Kinoshita**, Suwa (JP)

(73) Assignee: **Seiko Epson Corporation** (JP)

(**) Term: **14 Years**

(21) Appl. No.: **29/293,210**

(22) Filed: **Nov. 9, 2007**

Related U.S. Application Data

(63) Continuation-in-part of application No. 29/273,465, filed on Mar. 6, 2007.

Foreign Application Priority Data

(30) Dec. 4, 2006 (JP) 2006-033325

(51) **LOC (9) Cl.** **14-02**

(52) **U.S. Cl.** **D14/386**

(58) **Field of Classification Search** D14/383-387, D14/426; 345/169, 173; 356/71, 237.1; 382/116, 124-126, 181, 107, 139; 235/382, 235/382.5; 355/64, 65, 75, 81; 118/31.5; 283/68-70, 74, 75, 78; 250/566; 343/702

See application file for complete search history.

(56) **References Cited**

U.S. PATENT DOCUMENTS

D253,110 S * 10/1979 Randolph D14/386

4,277,689 A *	7/1981	Thomas et al.	382/139
D306,015 S *	2/1990	Pulio et al.	D14/386
D348,872 S *	7/1994	Cherry	D14/386
5,345,090 A *	9/1994	Hludzinski	250/566
5,347,593 A *	9/1994	Klinefelter	382/207
6,091,368 A *	7/2000	Mitchell et al.	343/702
6,111,977 A *	8/2000	Scott et al.	382/124
D496,365 S *	9/2004	Liu et al.	D14/385
D507,271 S *	7/2005	Panini	D14/386
2002/0196963 A1 *	12/2002	Bardwell	382/124

* cited by examiner

Primary Examiner—Freda S Nunn

(74) *Attorney, Agent, or Firm*—Harness, Dickey & Pierce, P.L.C.

(57) **CLAIM**

The ornamental design for a check scanner, as shown and described.

DESCRIPTION

FIG. 1 is a front, right perspective view of a check scanner embodying our new design;

FIG. 2 is a rear, right perspective view thereof;

FIG. 3 is a right side view thereof;

FIG. 4 is a left side view thereof;

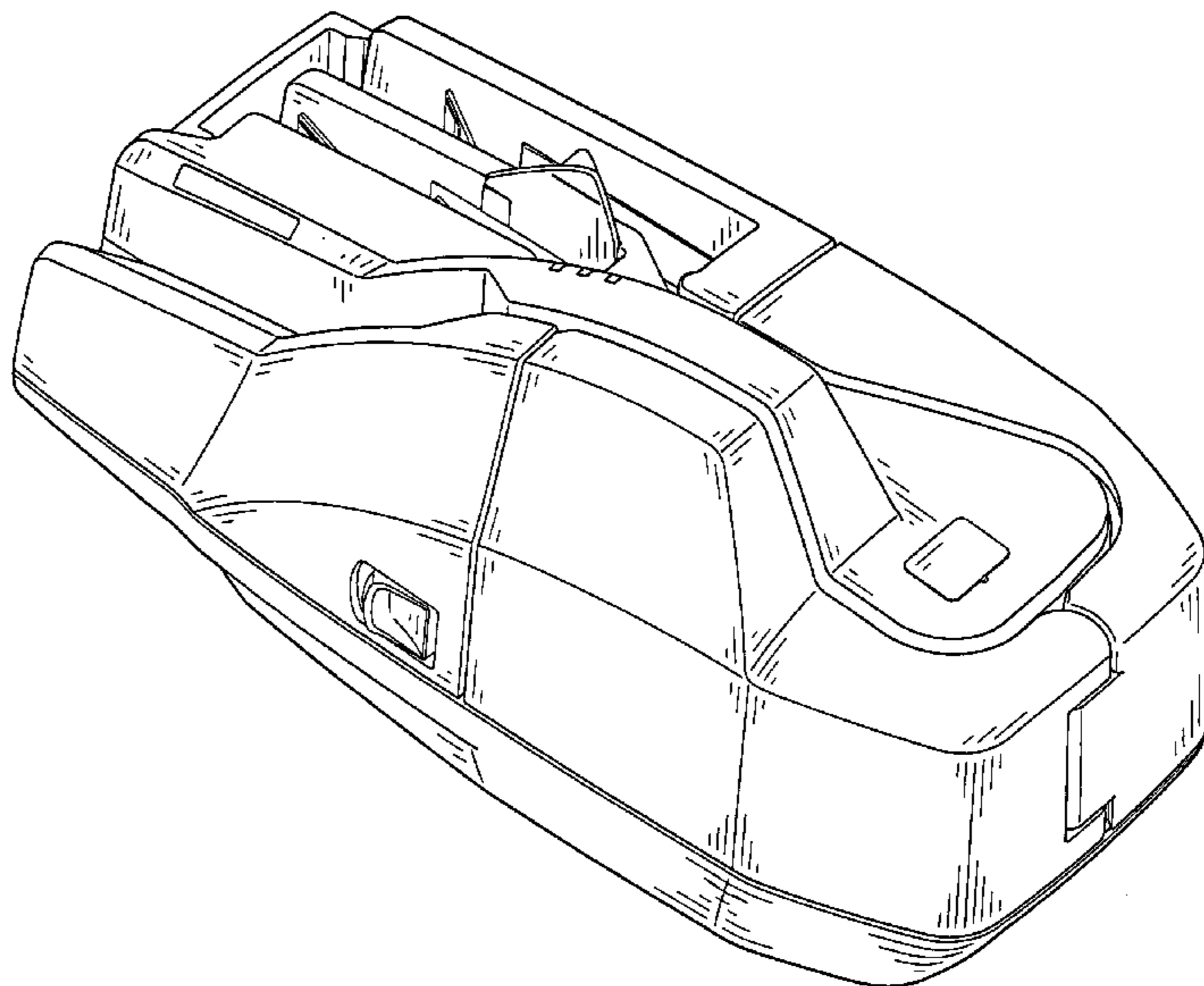
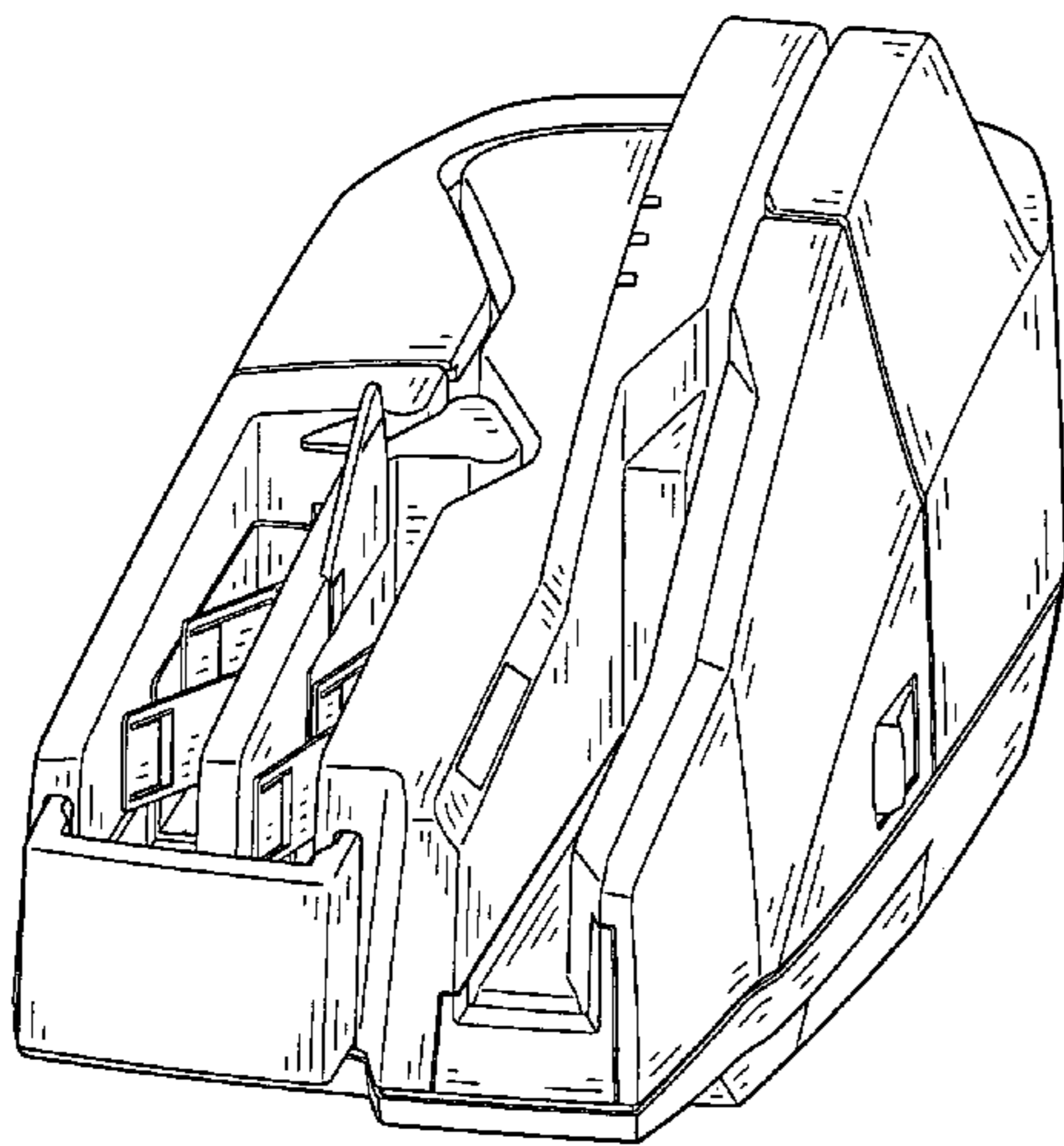
FIG. 5 is a front view thereof;

FIG. 6 is a rear view thereof;

FIG. 7 is a top view thereof; and,

FIG. 8 is a bottom view thereof.

1 Claim, 4 Drawing Sheets



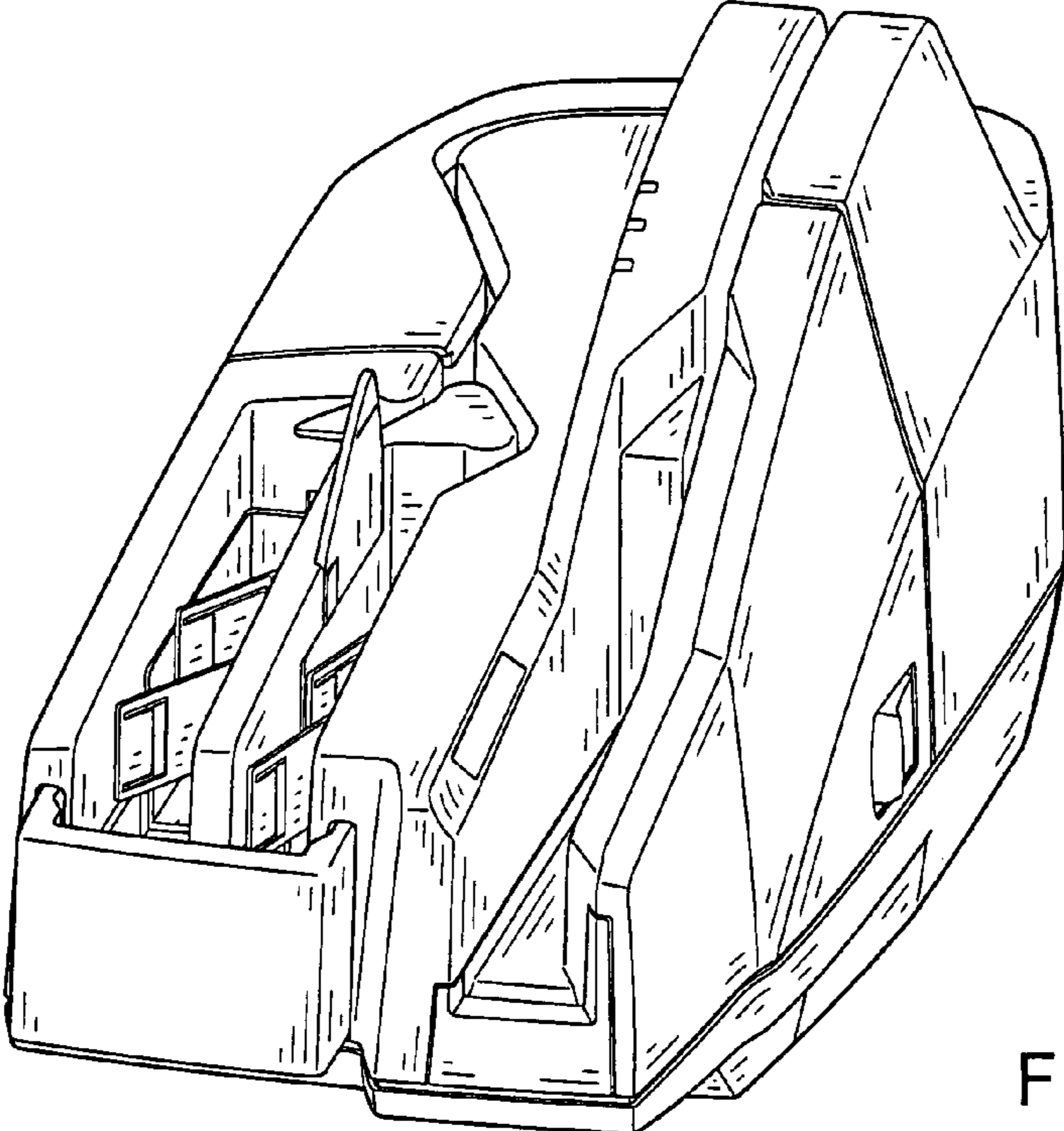


FIG. 1

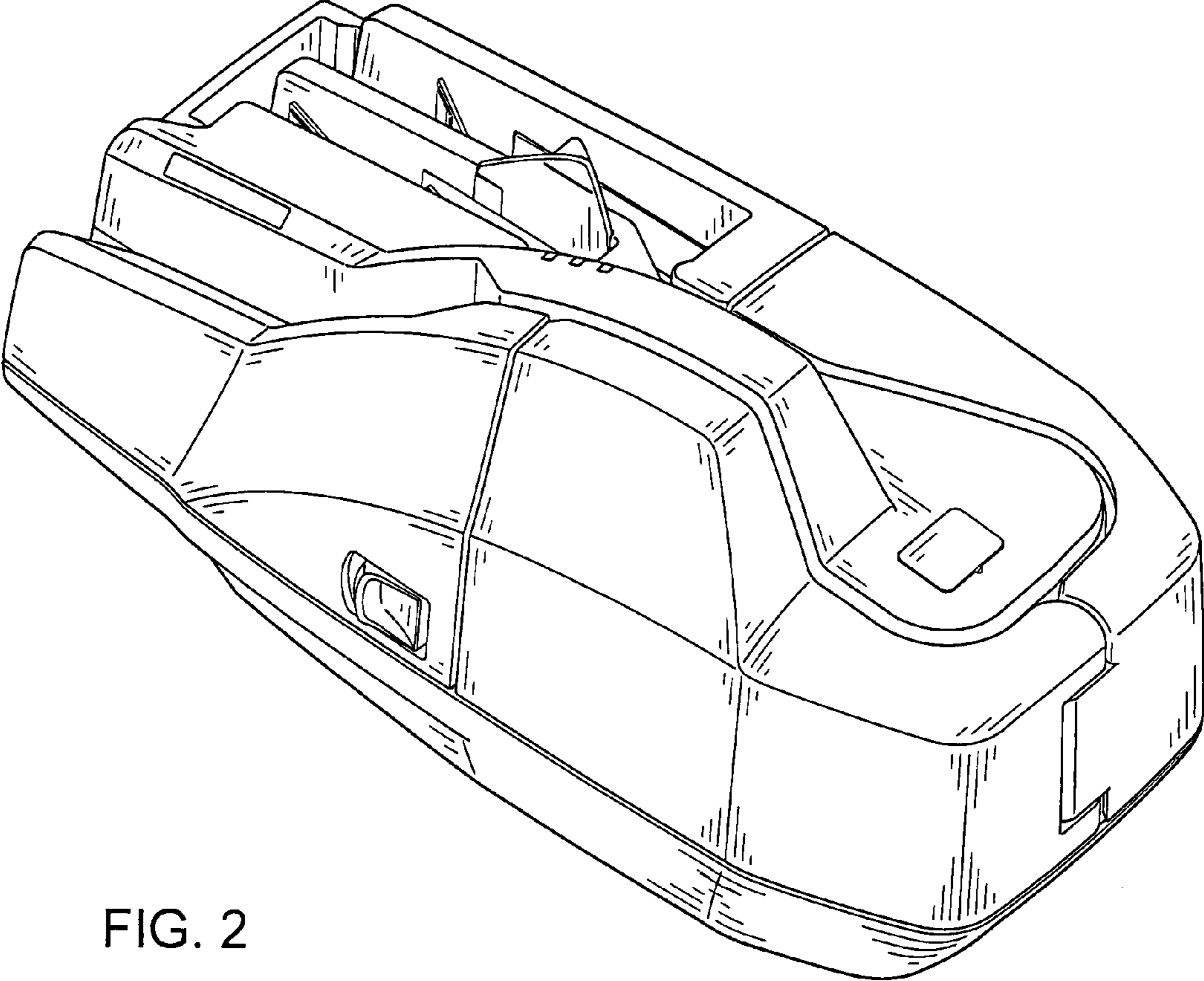


FIG. 2

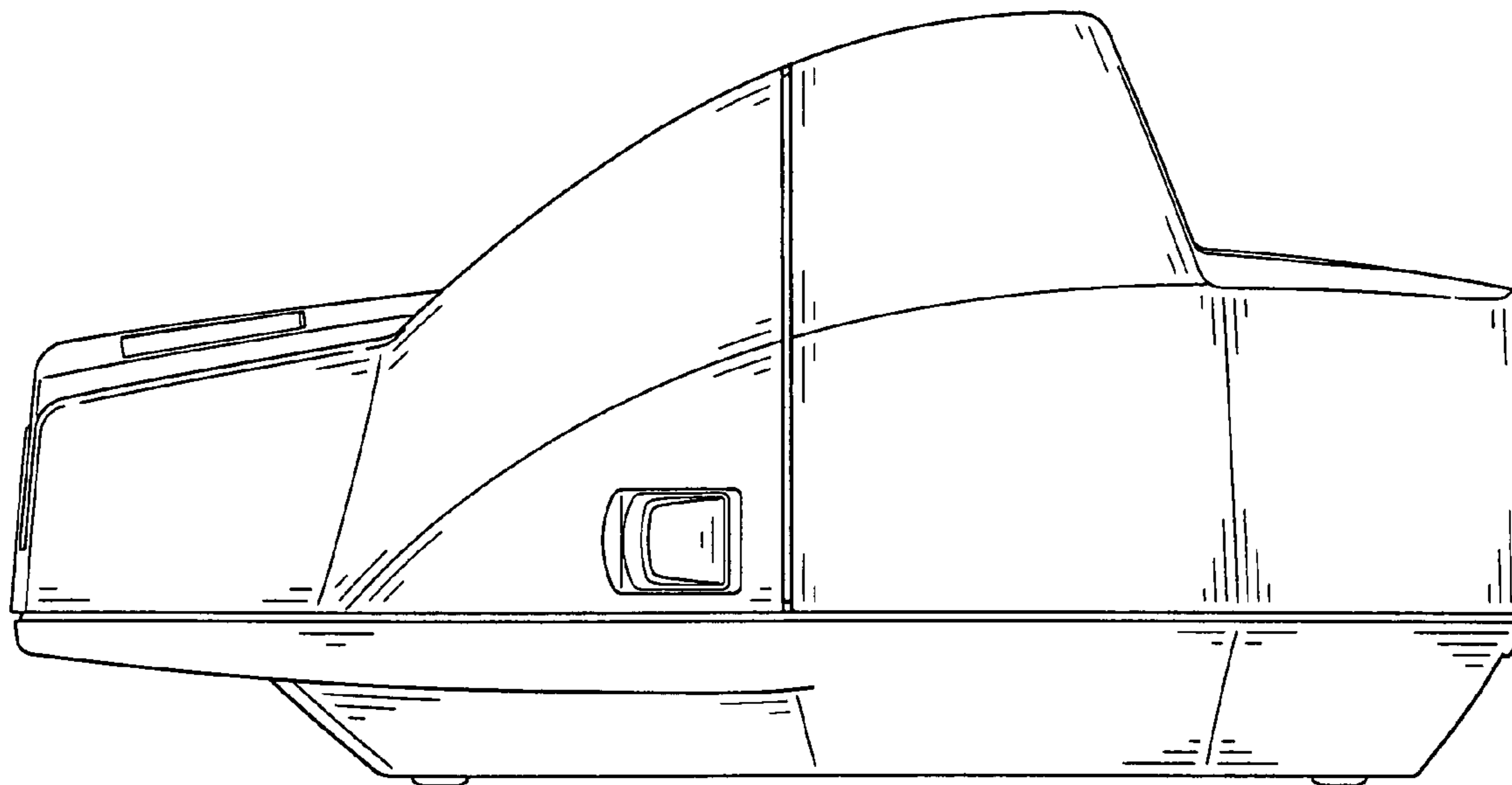


FIG. 3

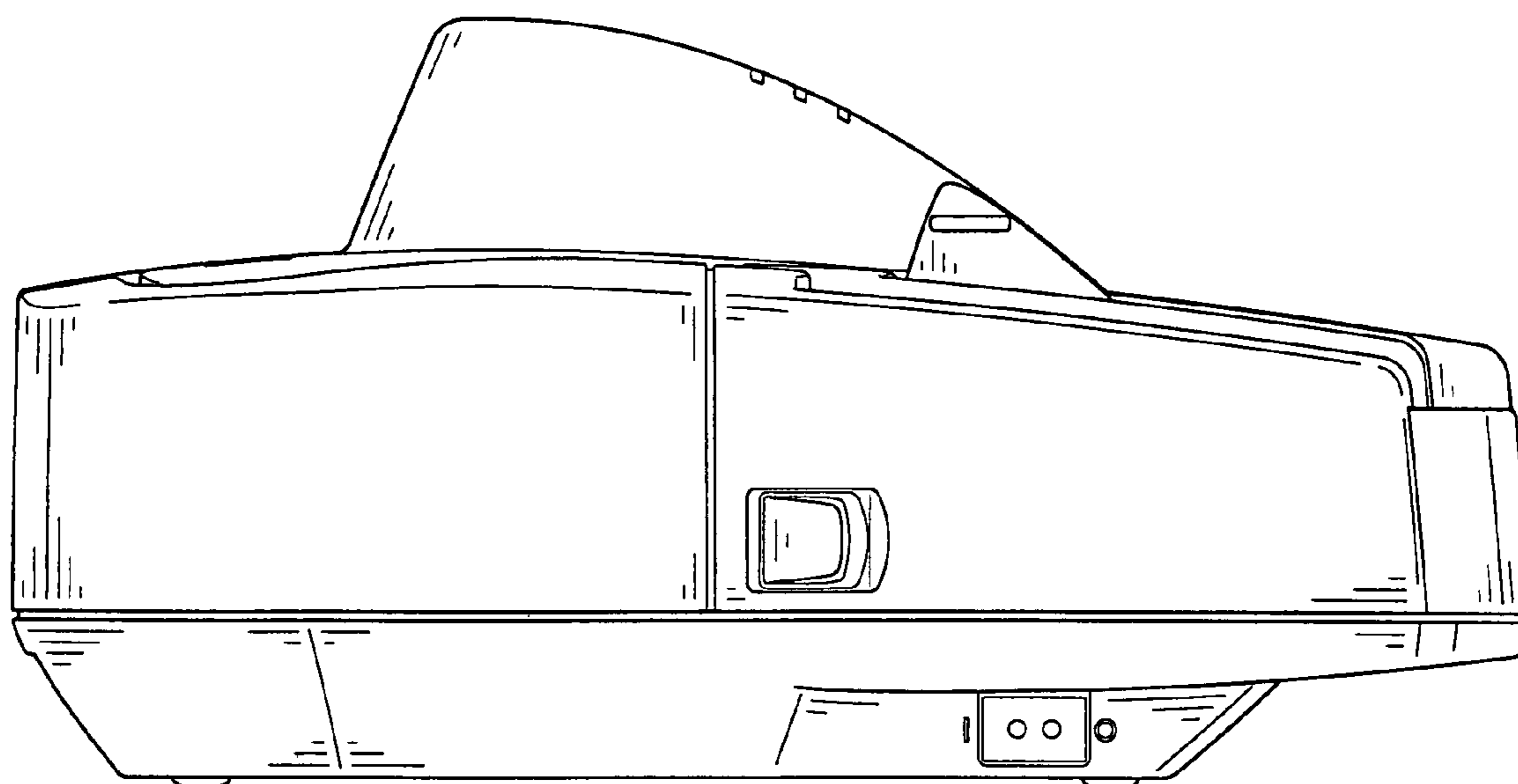


FIG. 4

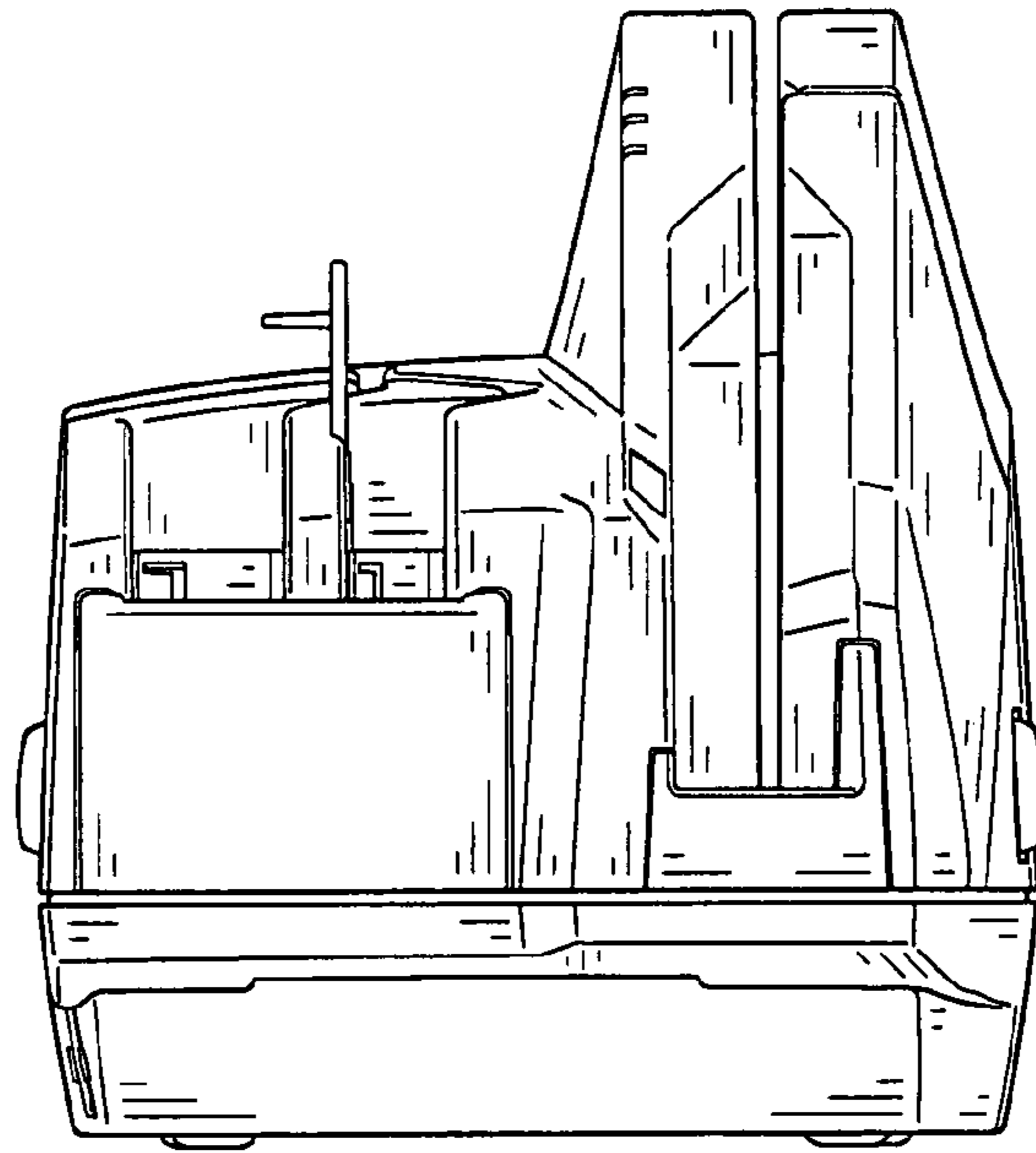


FIG. 5

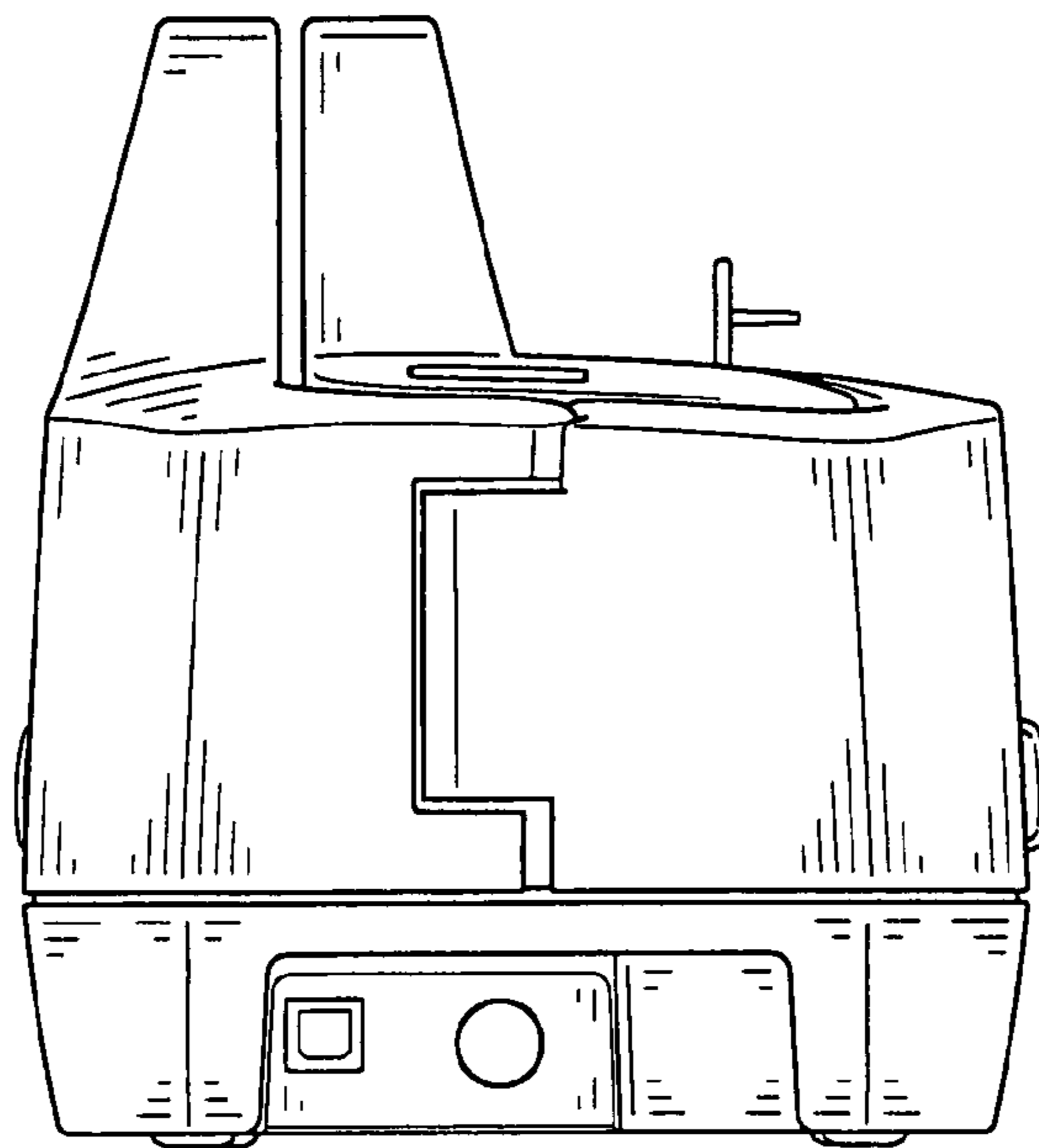


FIG. 6

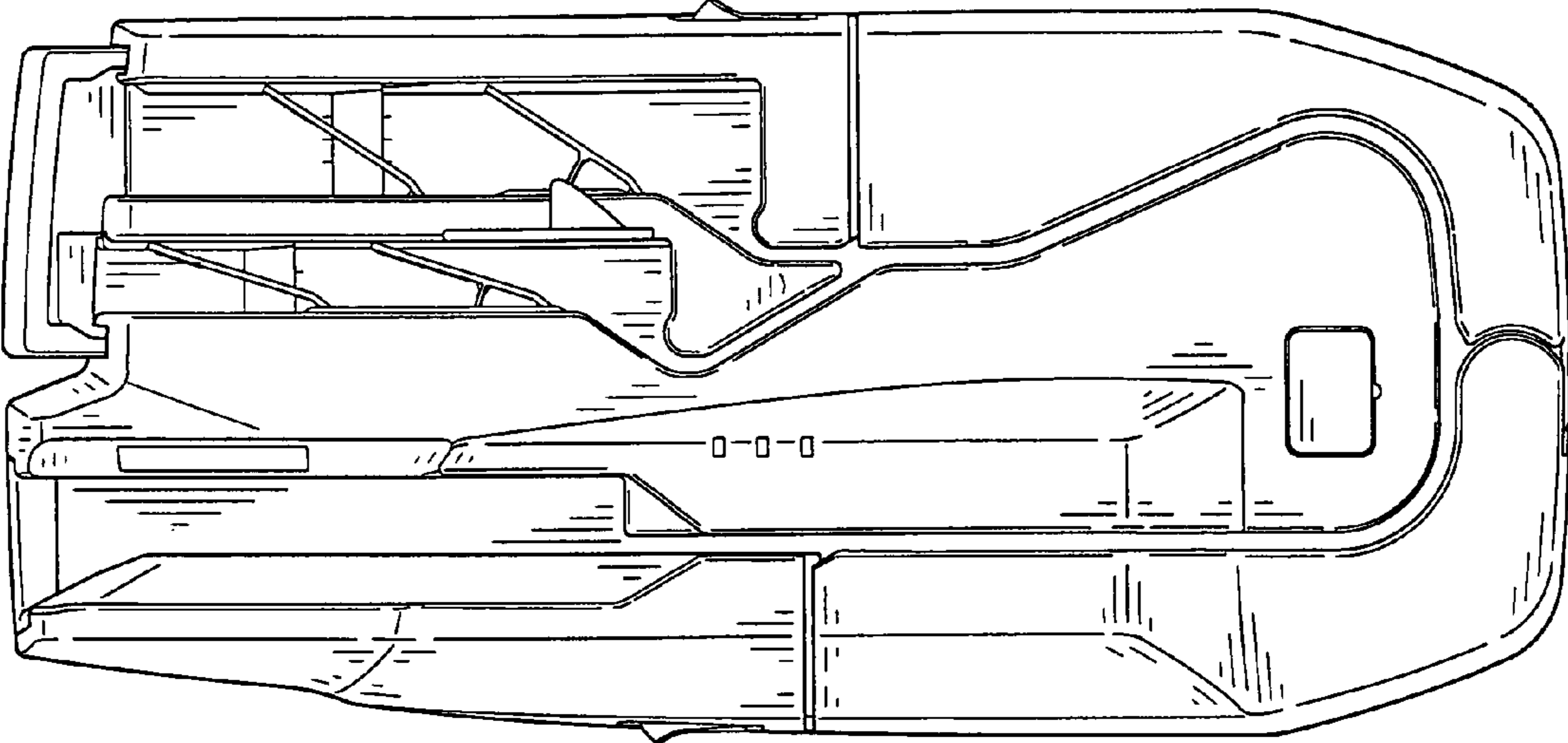


FIG. 7

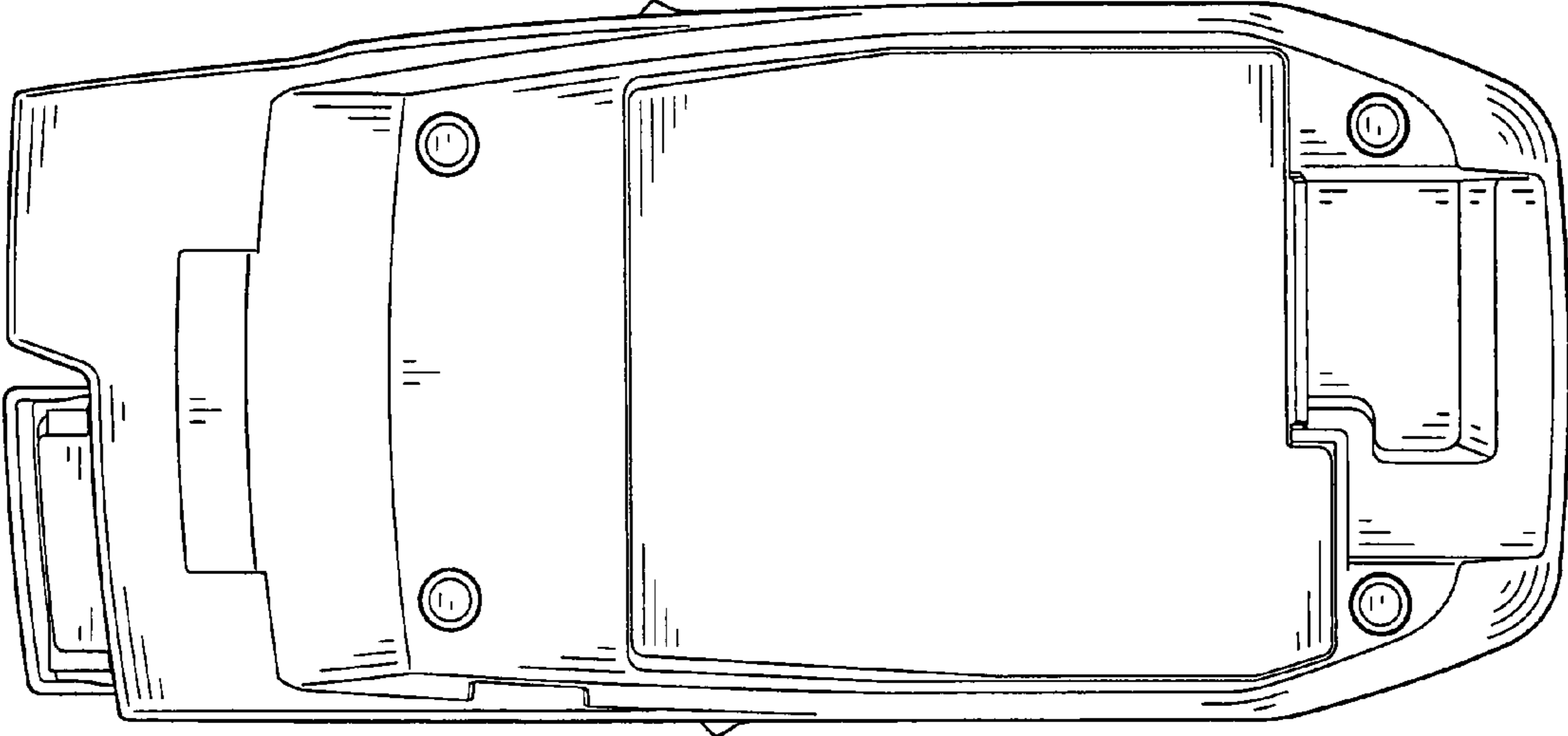


FIG. 8