

US00D591744S

(12) **United States Design Patent**
Shimizu

(10) **Patent No.:** **US D591,744 S**
(45) **Date of Patent:** **** May 5, 2009**

(54) **COMBINED MAIN BODY AND BASE OF WIRELESS COMMUNICATION ADAPTOR**

(75) Inventor: **Naoto Shimizu**, Tokyo (JP)

(73) Assignee: **Sony Corporation**, Tokyo (JP)

(**) Term: **14 Years**

(21) Appl. No.: **29/266,610**

(22) Filed: **Sep. 26, 2006**

(30) **Foreign Application Priority Data**

May 24, 2006 (JP) D2006-013098

(51) **LOC (9) Cl.** **14-02**

(52) **U.S. Cl.** **D14/356; D14/358**

(58) **Field of Classification Search** D14/356-358,
D14/383-385, 432-439, 442, 447, 451, 453,
D14/474, 155, 217, 242, 299; D13/107,
D13/108, 118, 120, 123, 133, 146, 147, 154,
D13/158, 182, 184, 199; 361/679, 685, 686,
361/724-728, 683, 639; 439/668, 669, 701,
439/660, 607, 296; 455/351, 353, 325
See application file for complete search history.

(56) **References Cited**

U.S. PATENT DOCUMENTS

D317,911 S * 7/1991 Yokoi D14/453

(Continued)

FOREIGN PATENT DOCUMENTS

JP D1166158 S 2/2003

* cited by examiner

Primary Examiner—Cathron C Brooks

Assistant Examiner—Deanna Fluegeman

(74) *Attorney, Agent, or Firm*—Rader, Fishman & Grauer, PLLC

(57) **CLAIM**

The ornamental design for a combined main body and base of a wireless communication adaptor, as shown.

DESCRIPTION

FIG. 1 is a perspective view of a combined main body and base of a wireless communication adaptor showing my new design;

FIG. 2 is a front elevational view thereof;

FIG. 3 is a rear elevational view thereof;

FIG. 4 is a left side elevational view thereof;

FIG. 5 is a right side elevational view thereof;

FIG. 6 is a top plan view thereof;

FIG. 7 is a bottom plan view thereof;

FIG. 8 is a perspective view of a main body of the wireless communication adaptor which is part of the combined main body and base of a wireless communication adaptor and which is shown separately for completeness of illustration;

FIG. 9 is a front elevational view thereof;

FIG. 10 is a rear elevational view thereof;

FIG. 11 is a left side elevational view thereof;

FIG. 12 is a right side elevational view thereof;

FIG. 13 is a top plan view thereof;

FIG. 14 is a bottom plan view thereof;

FIG. 15 is a perspective view of a base of the wireless communication adaptor which is part of the combined main body and base of a wireless communication adaptor and which is shown separately for completeness of illustration;

FIG. 16 is a front elevational view thereof;

FIG. 17 is a rear elevational view thereof;

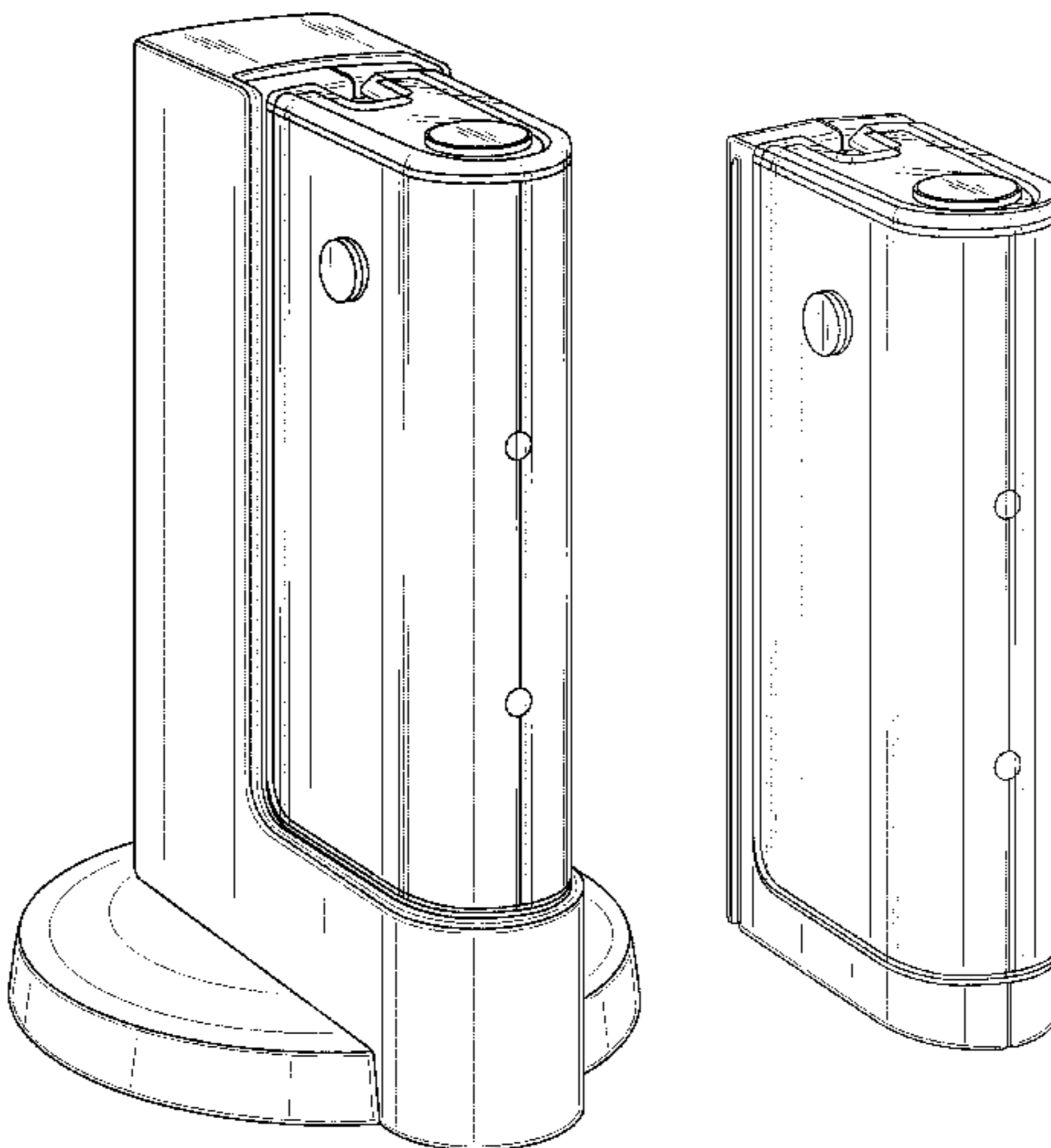
FIG. 18 is a left side elevational view thereof;

FIG. 19 is a right side elevational view thereof;

FIG. 20 is a top plan view thereof; and,

FIG. 21 is a bottom plan view thereof.

1 Claim, 21 Drawing Sheets



US D591,744 S

Page 2

U.S. PATENT DOCUMENTS

D350,956 S *	9/1994	Sumikawa	D14/155	D490,426 S *	5/2004	Wu	D14/368
D386,479 S *	11/1997	Lassmann et al.	D14/385	D499,099 S *	11/2004	Su et al.	D14/385
D396,706 S *	8/1998	Rao	D14/433	D514,563 S *	2/2006	Kuramashi et al.	D14/358
D433,381 S *	11/2000	Talesfore	D13/123	D525,968 S *	8/2006	Peng et al.	D14/300
6,288,893 B1 *	9/2001	Faranda et al.	361/683	D525,972 S *	8/2006	Liu	D14/356
6,317,316 B1 *	11/2001	Bentley et al.	361/724	D531,142 S *	10/2006	Yang et al.	D14/125
6,456,486 B1 *	9/2002	Frame et al.	361/683	D532,414 S *	11/2006	Storti et al.	D14/240
D469,775 S *	2/2003	Bradley	D14/434	D535,650 S *	1/2007	Wong et al.	D14/240
D470,848 S	2/2003	Morooka		D535,651 S *	1/2007	Wong et al.	D14/240
D477,303 S	7/2003	Niitsu		D538,795 S *	3/2007	Wong et al.	D14/240
D480,075 S *	9/2003	Tanaka	D14/242	D539,290 S *	3/2007	Zhu et al.	D14/447
D485,545 S *	1/2004	Wang	D14/217	D545,311 S *	6/2007	Wai	D14/356
				2006/0152899 A1 *	7/2006	Wang	361/685

FIG.1

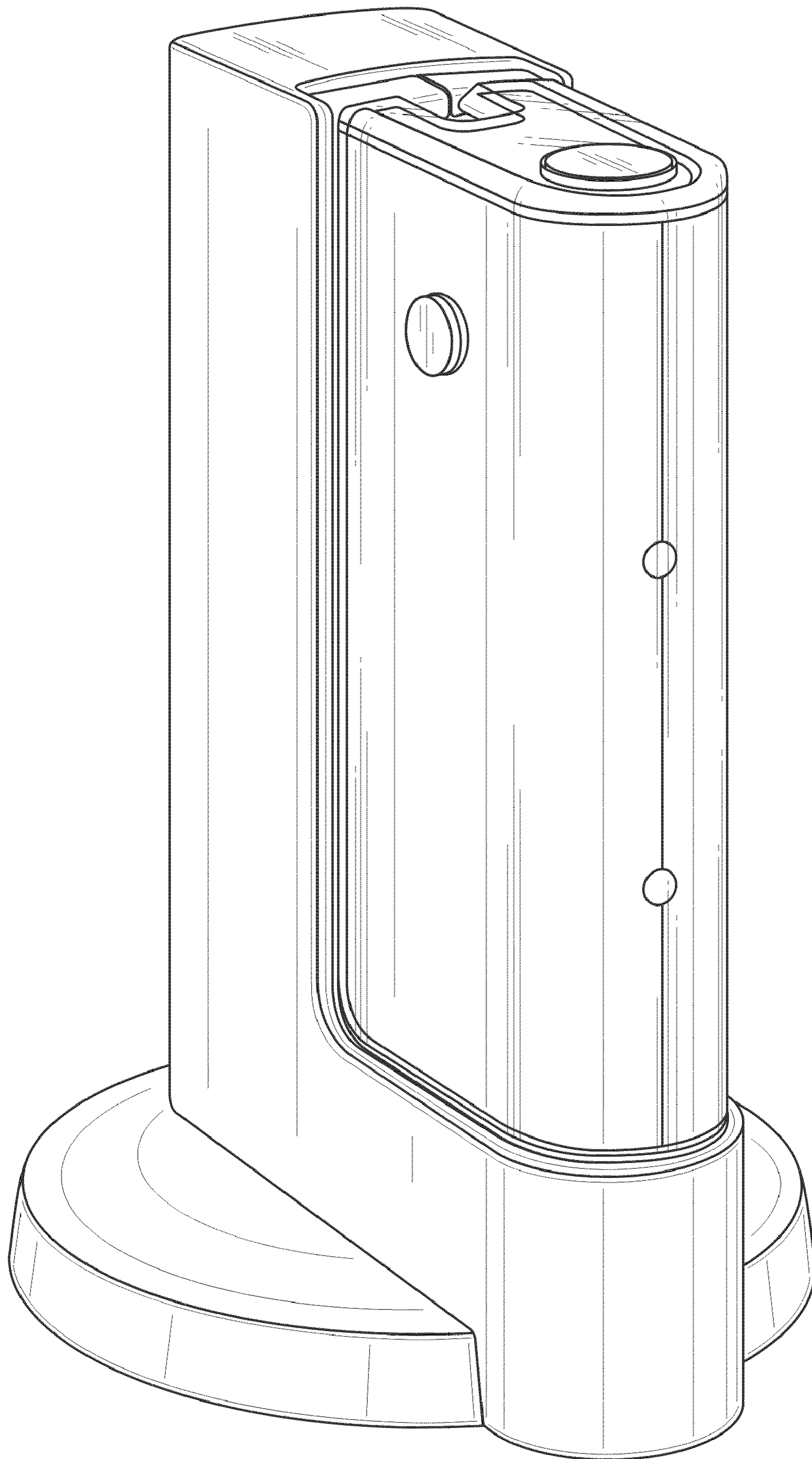


FIG.2

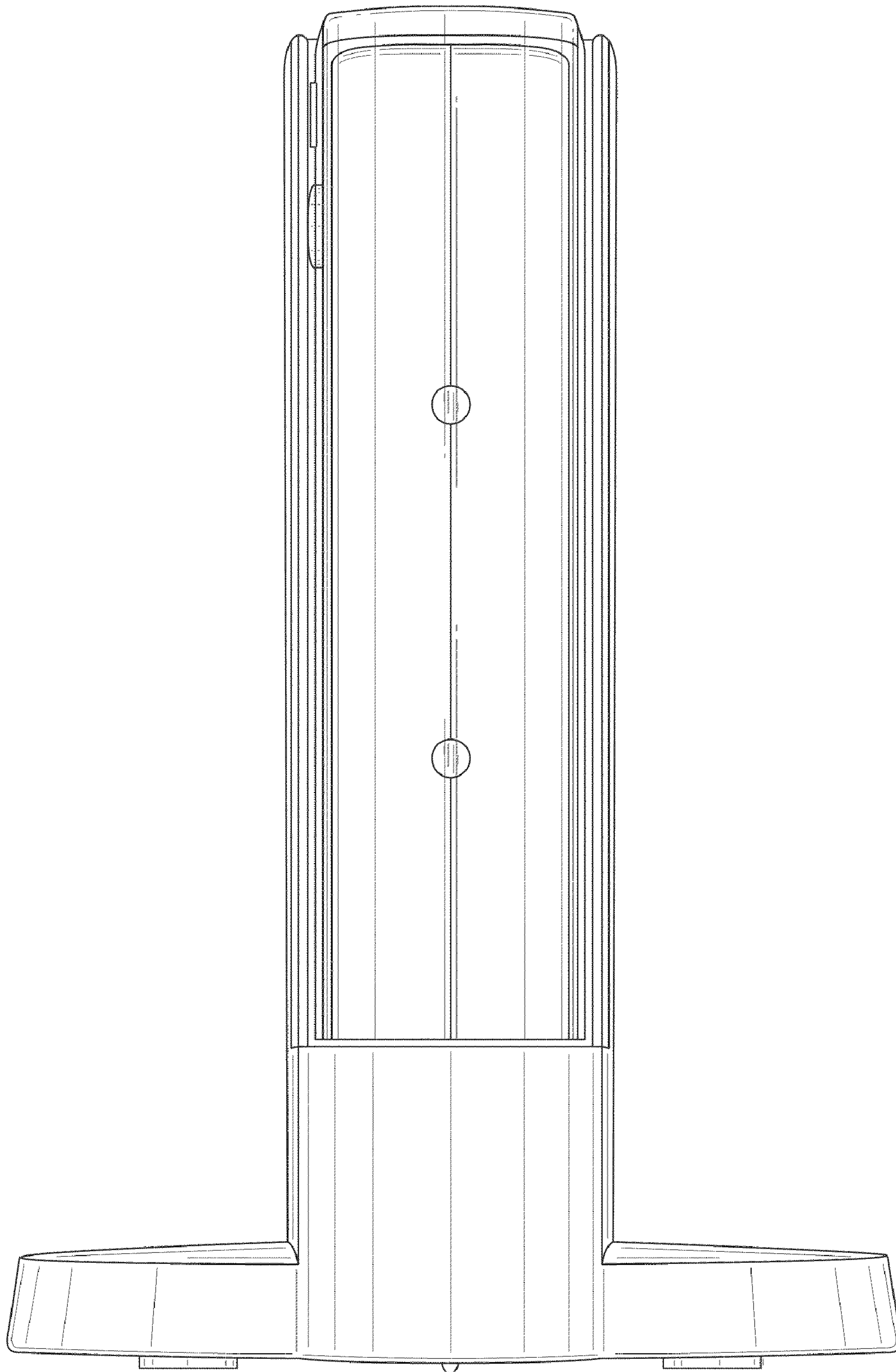


FIG.3

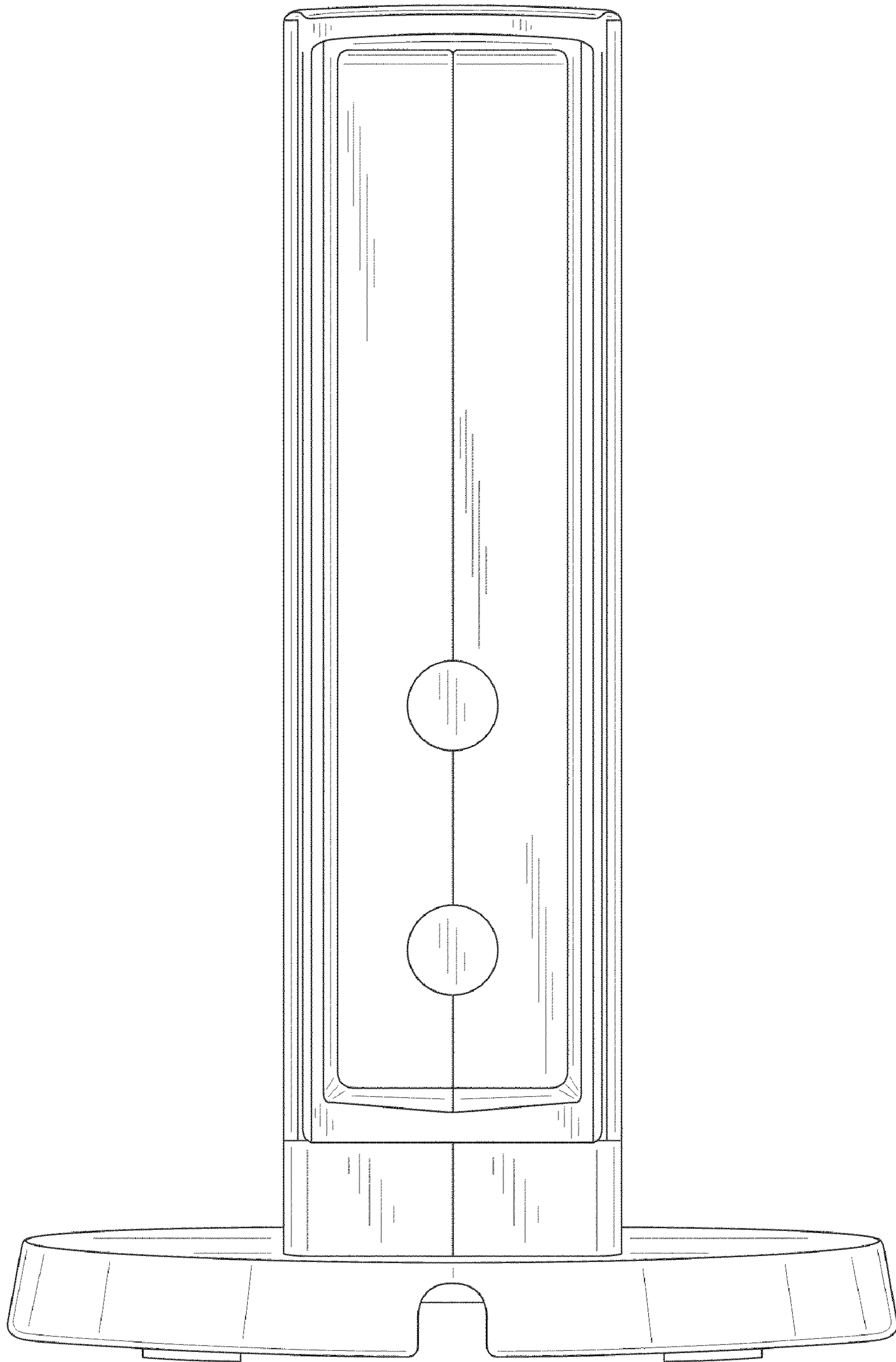


FIG.4

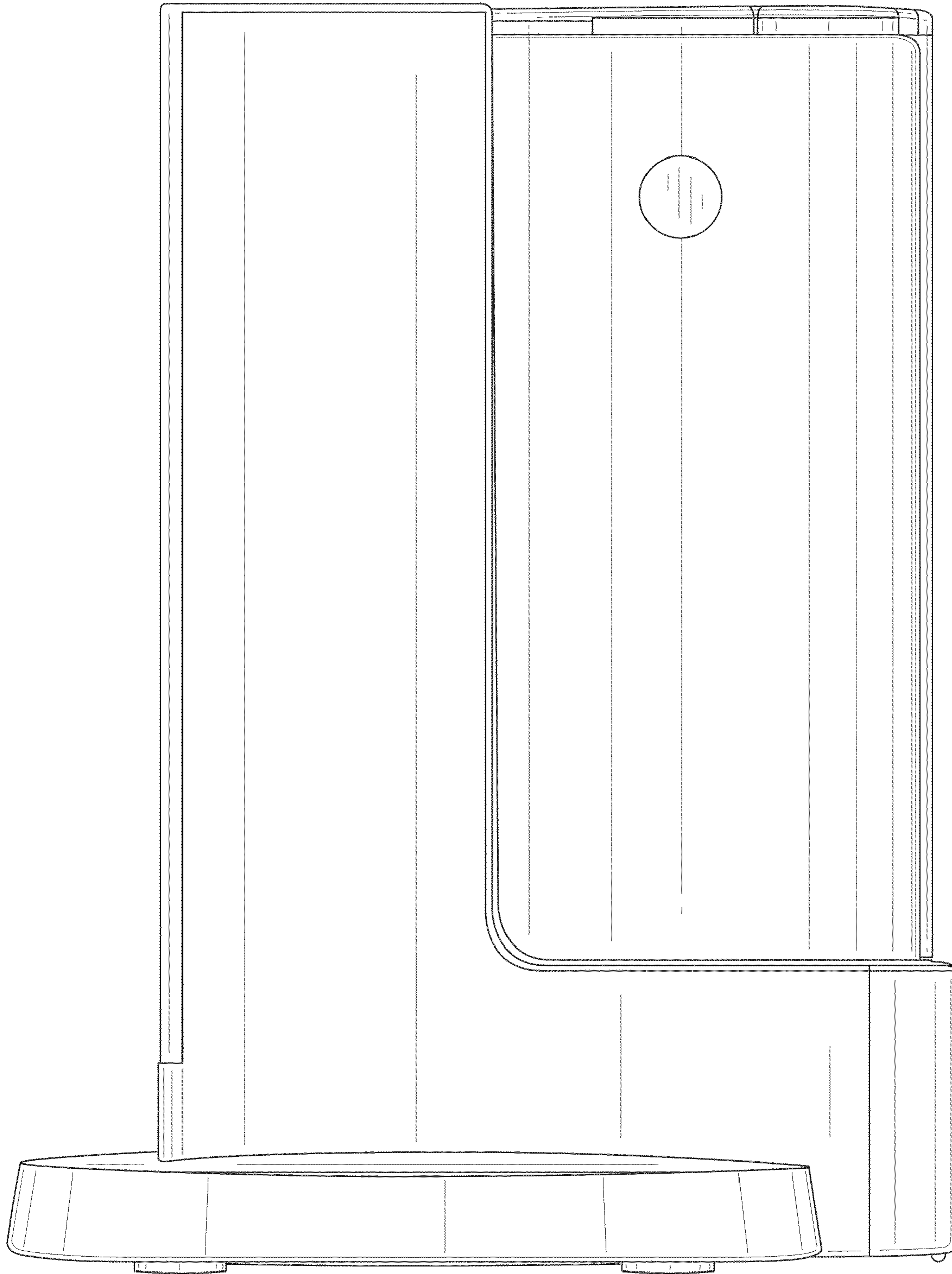


FIG.5

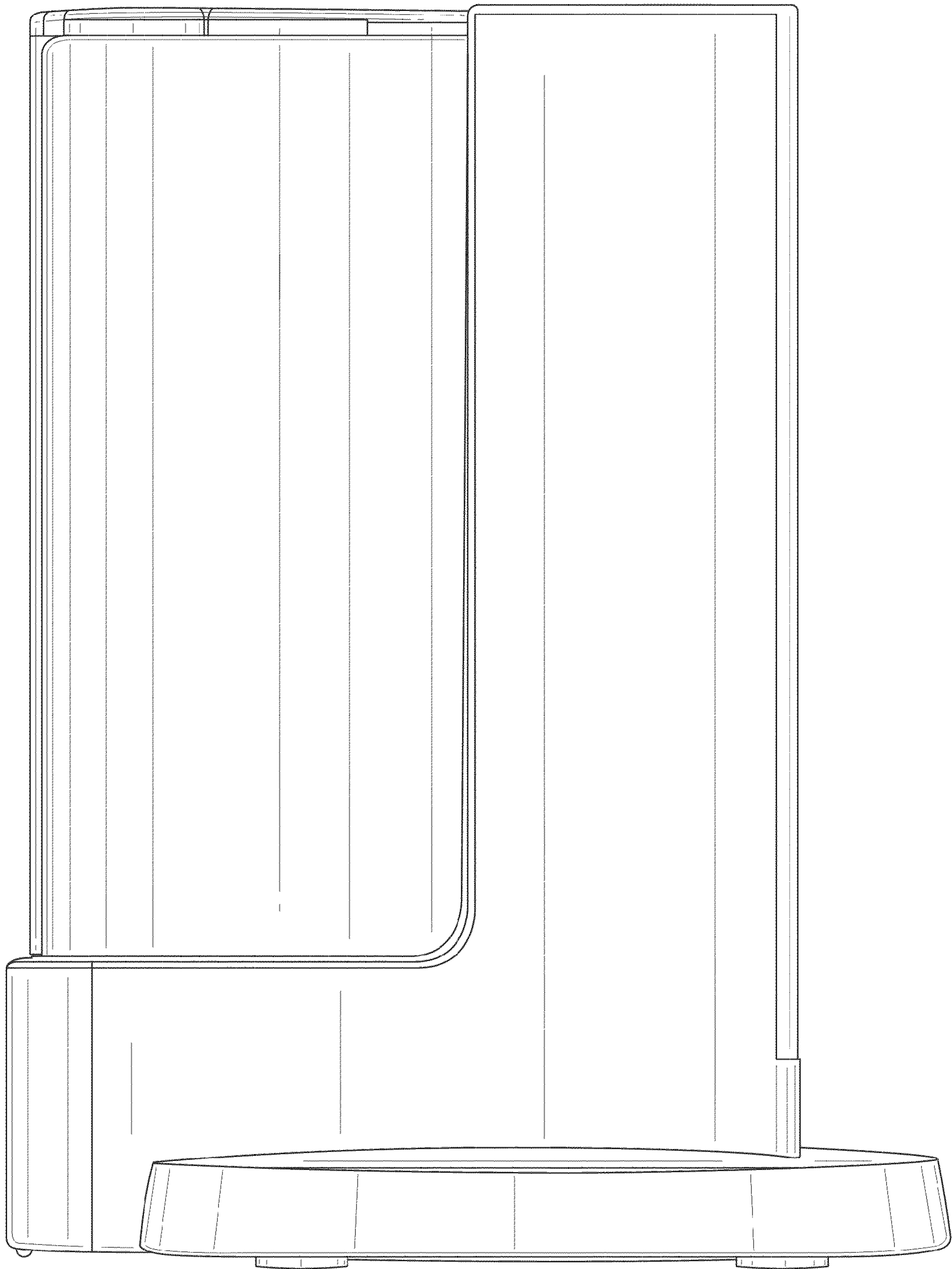


FIG.6

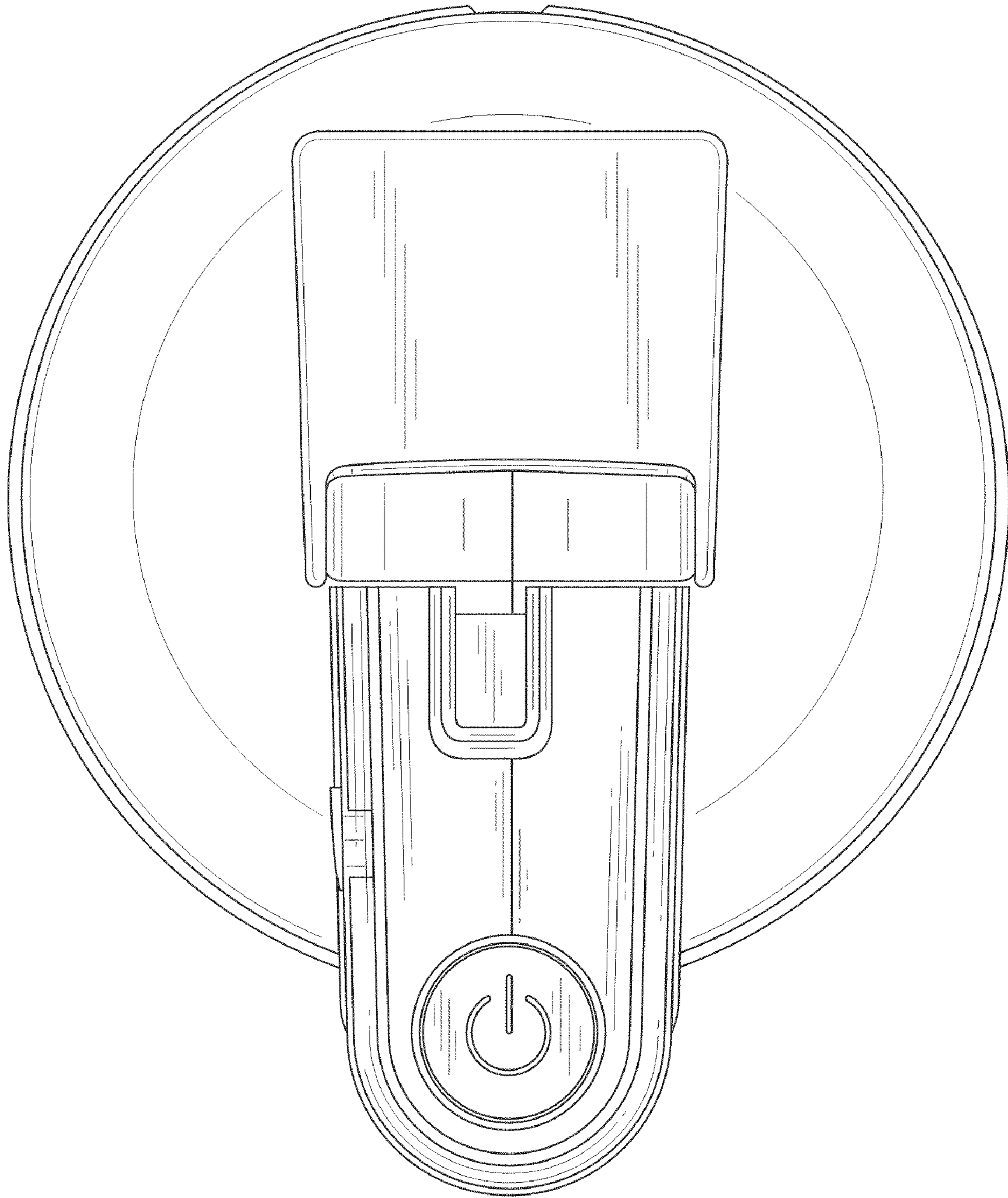


FIG.7

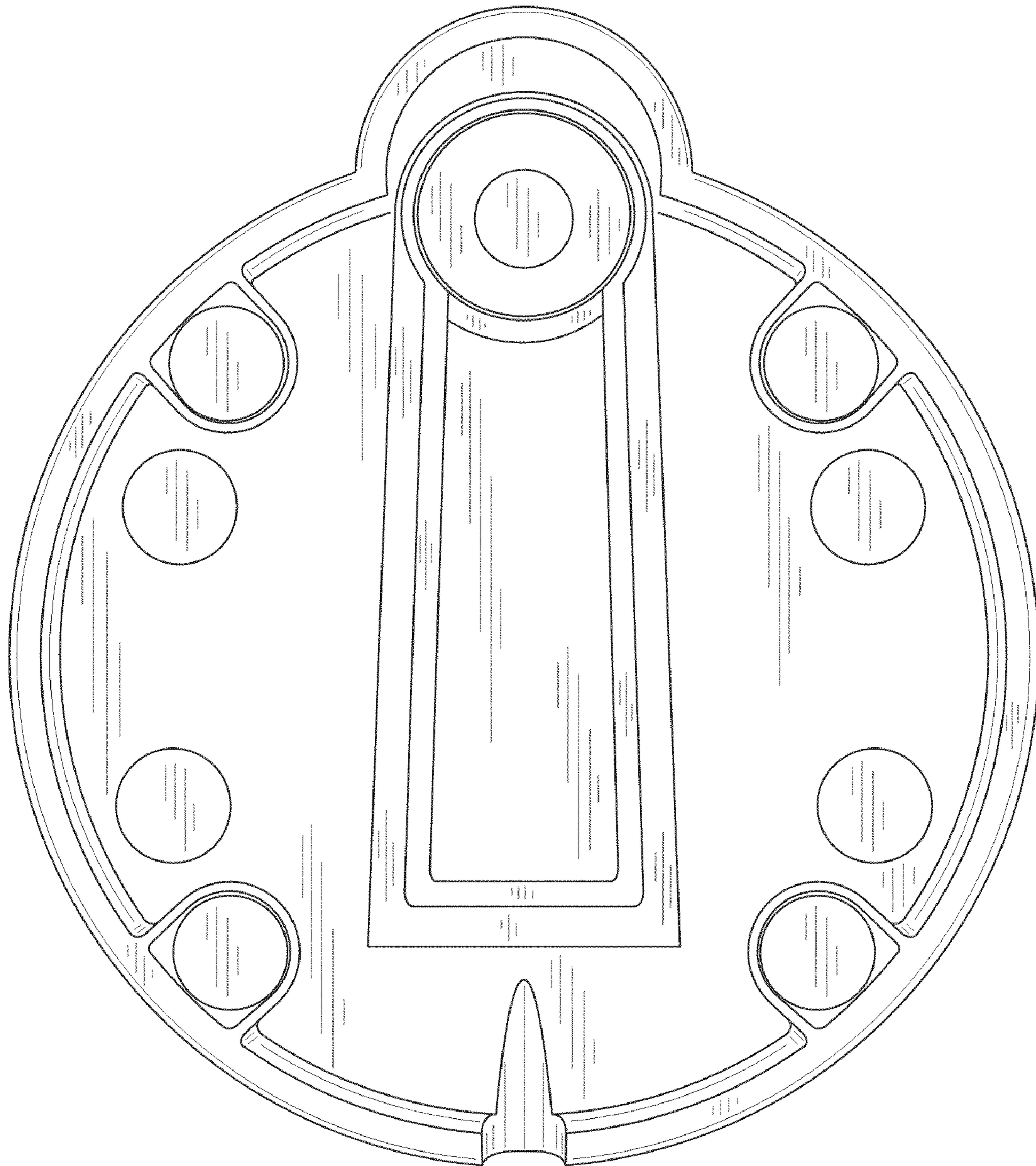


FIG.8

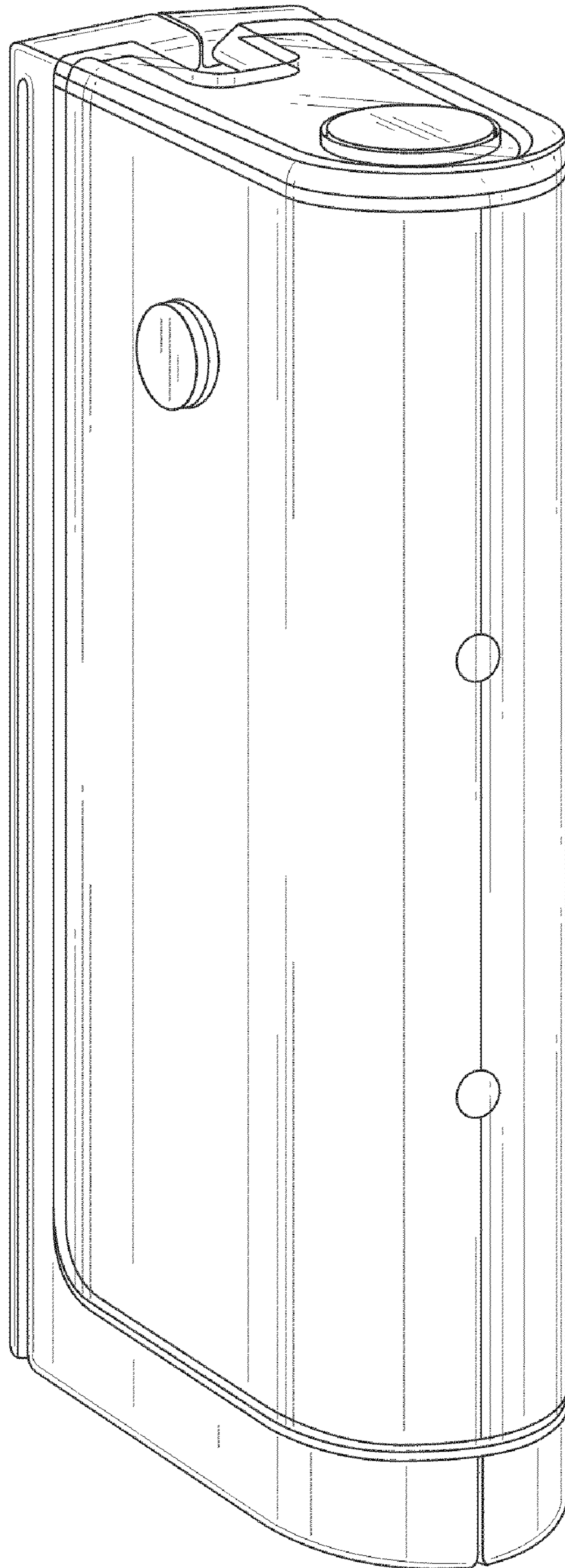


FIG.9

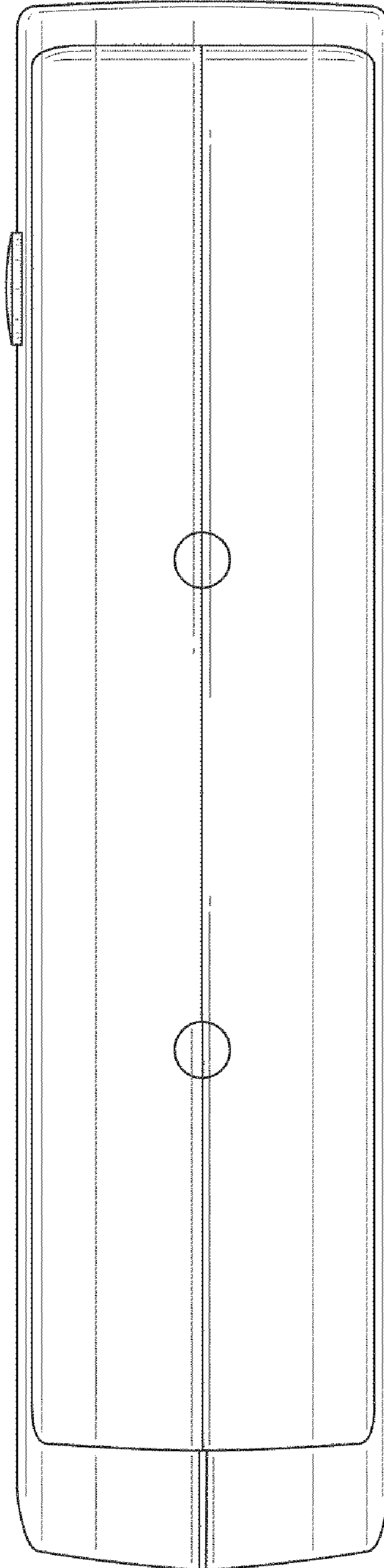


FIG.10

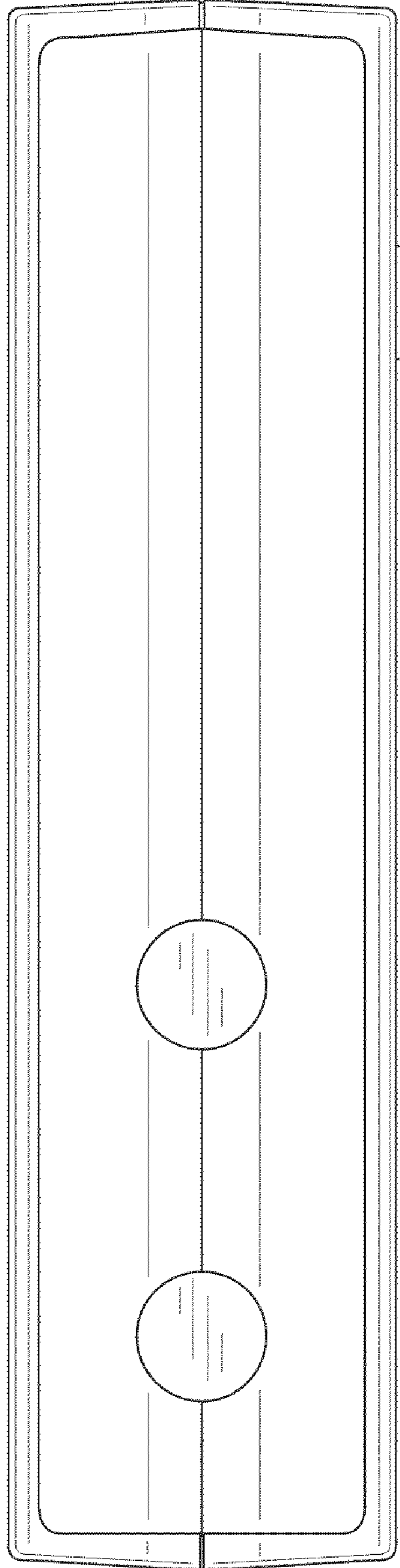


FIG. 11

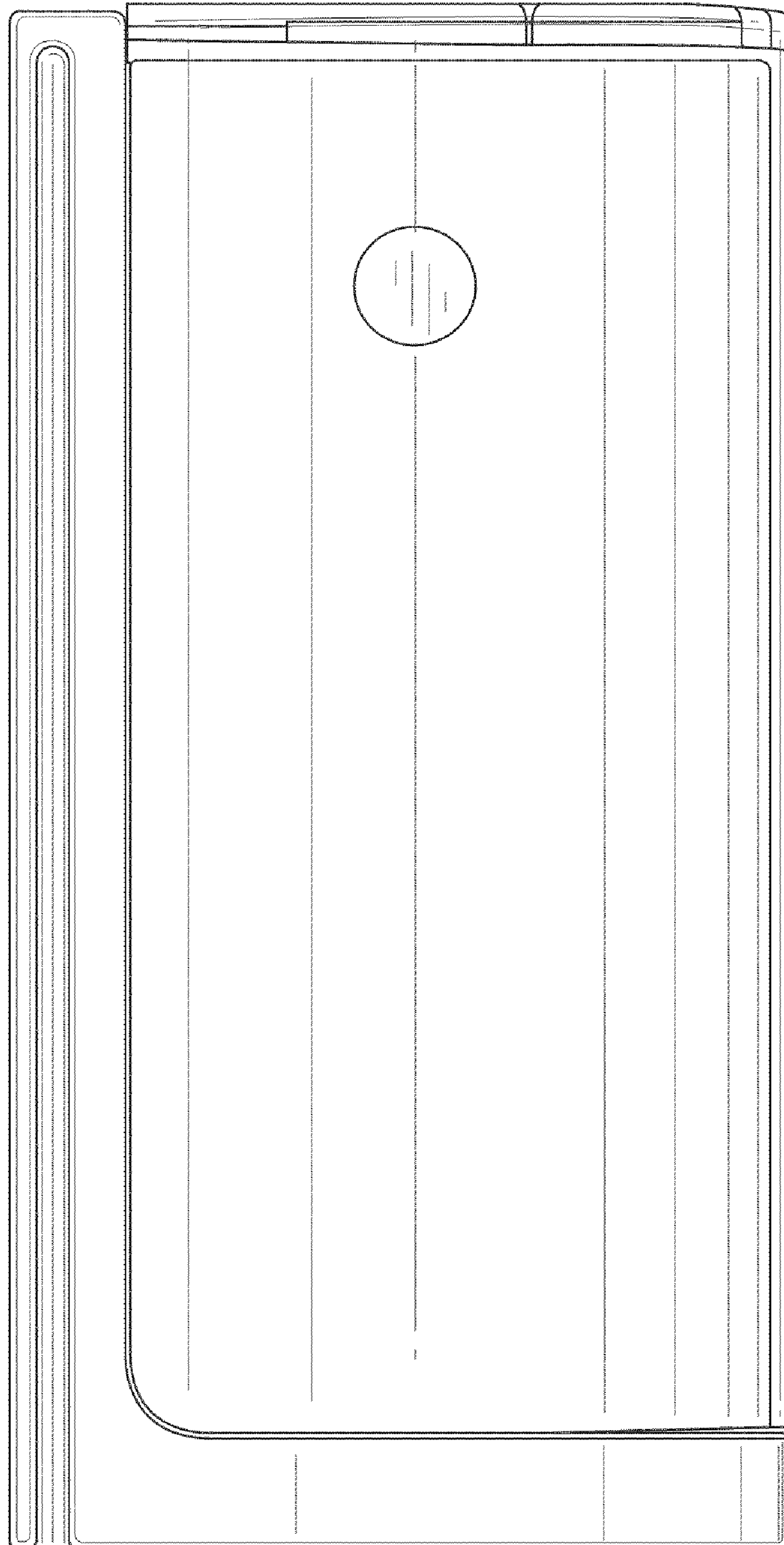


FIG.12

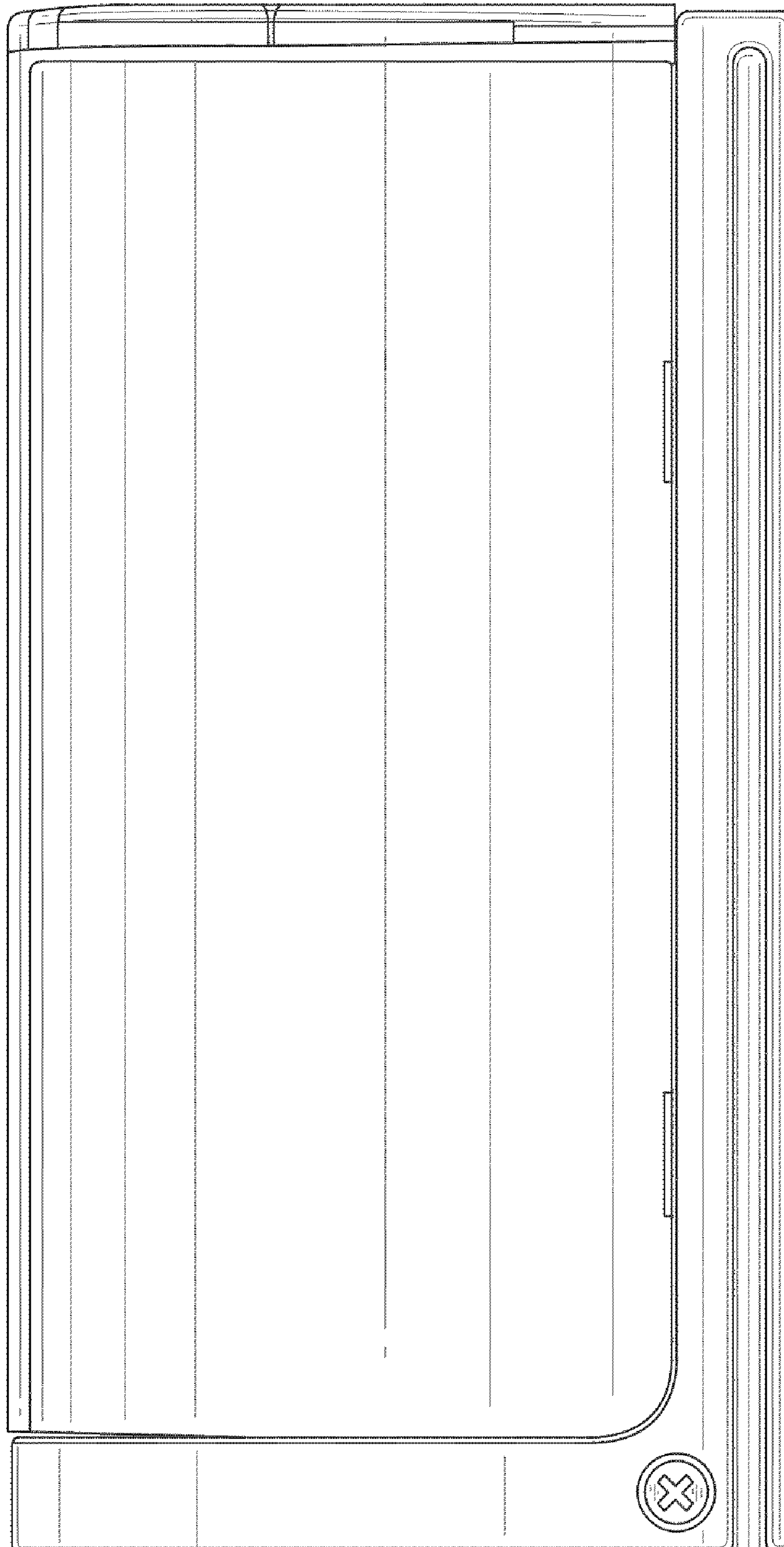


FIG. 13

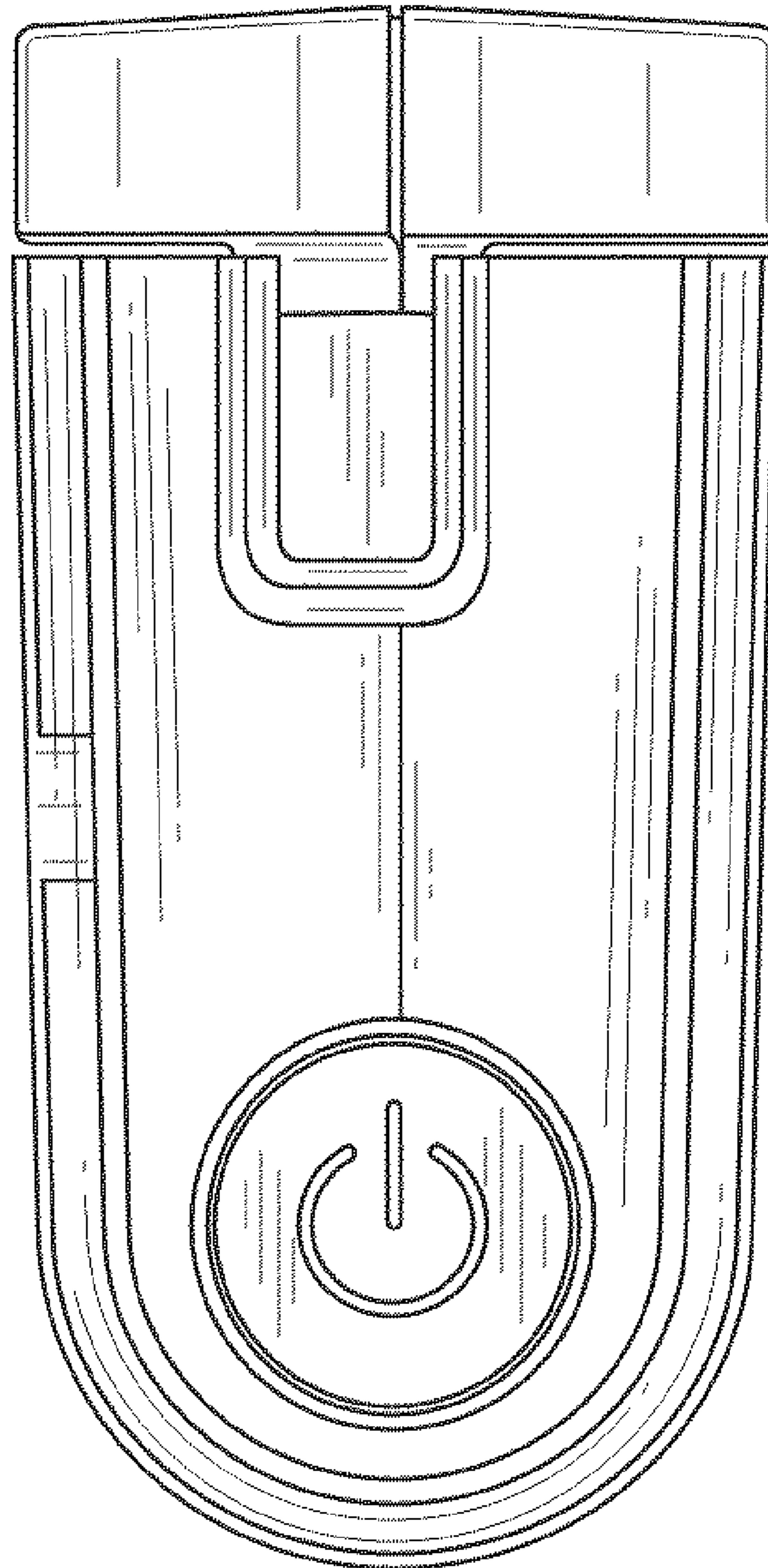


FIG. 14

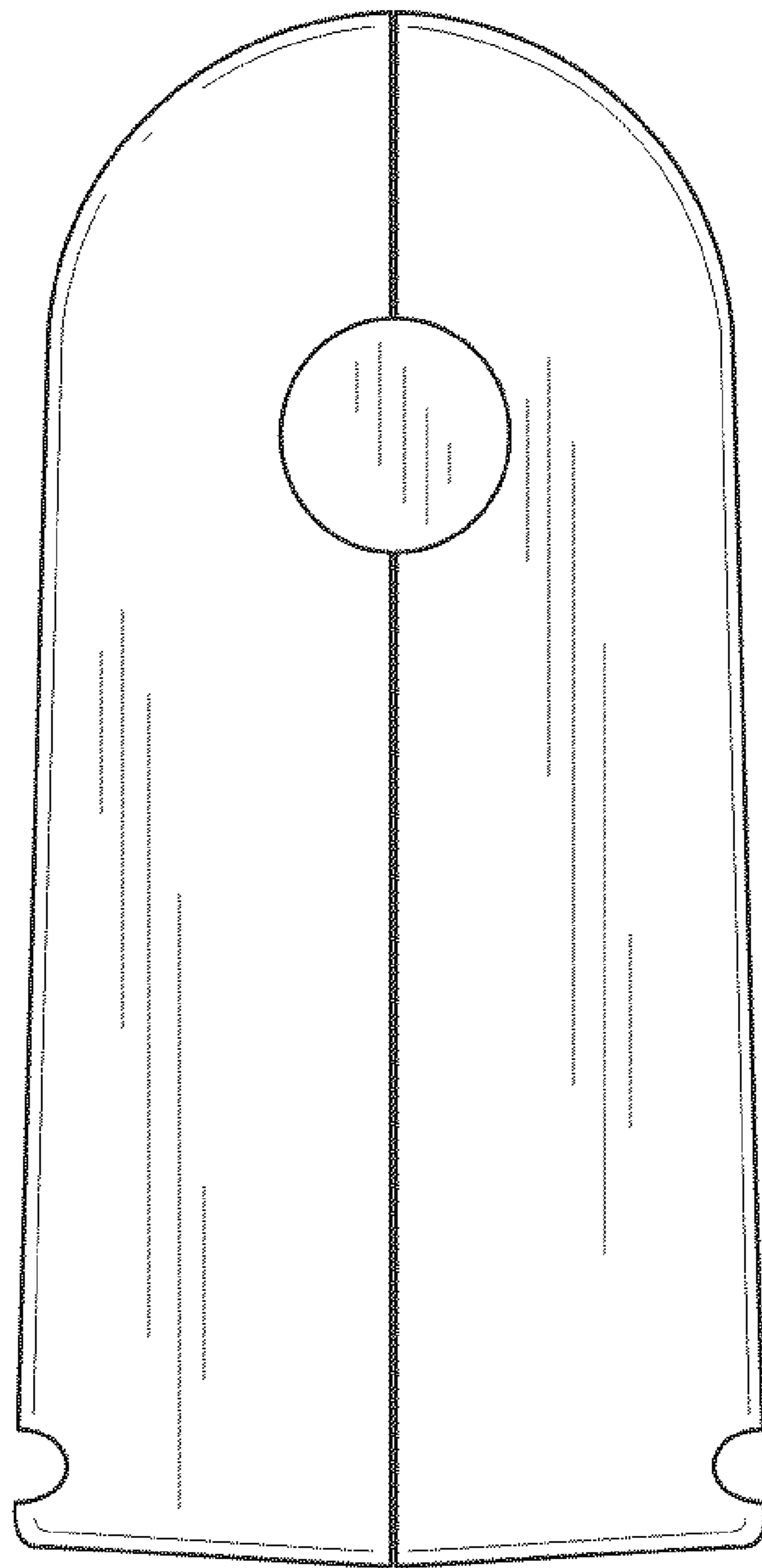


FIG.15

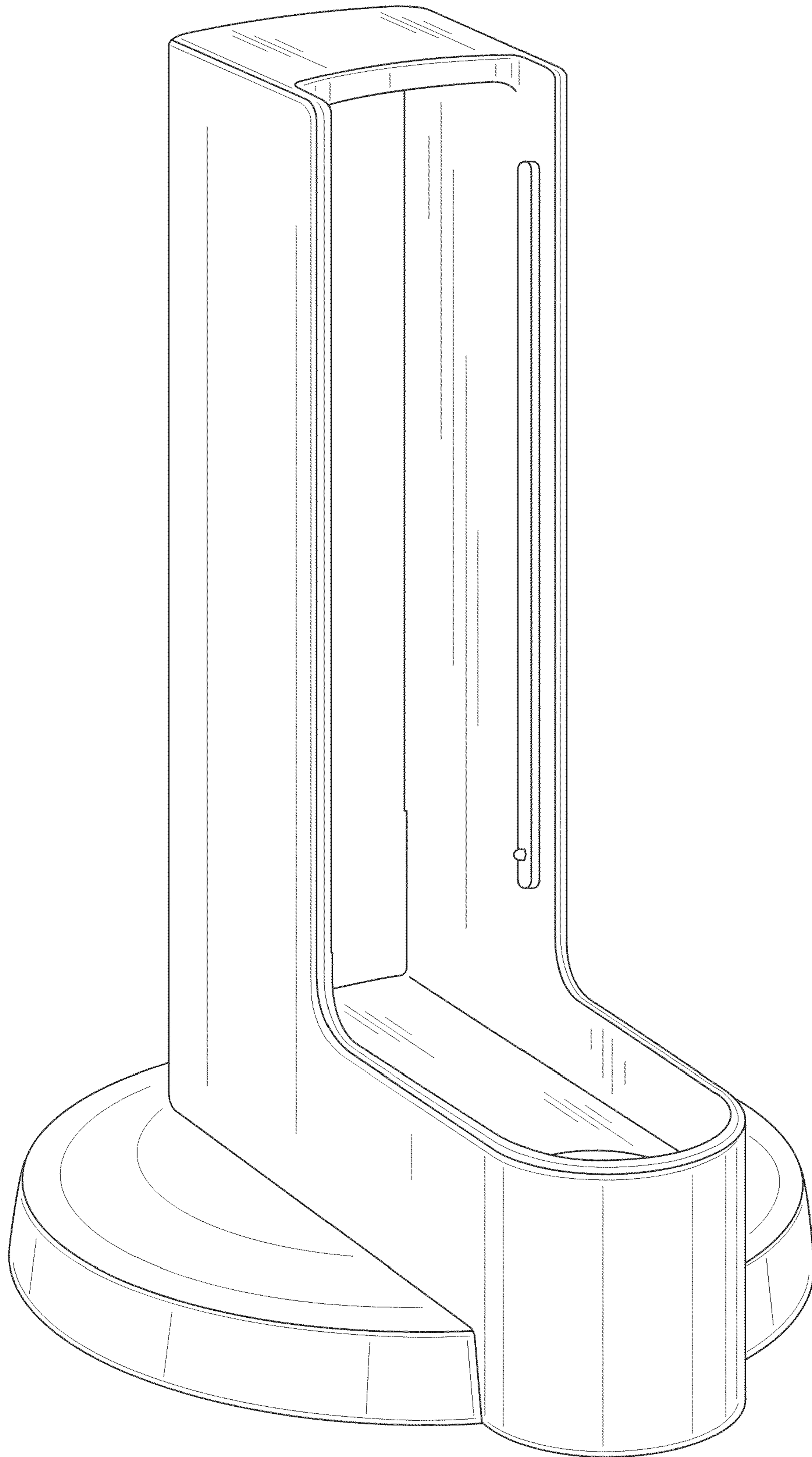


FIG.16

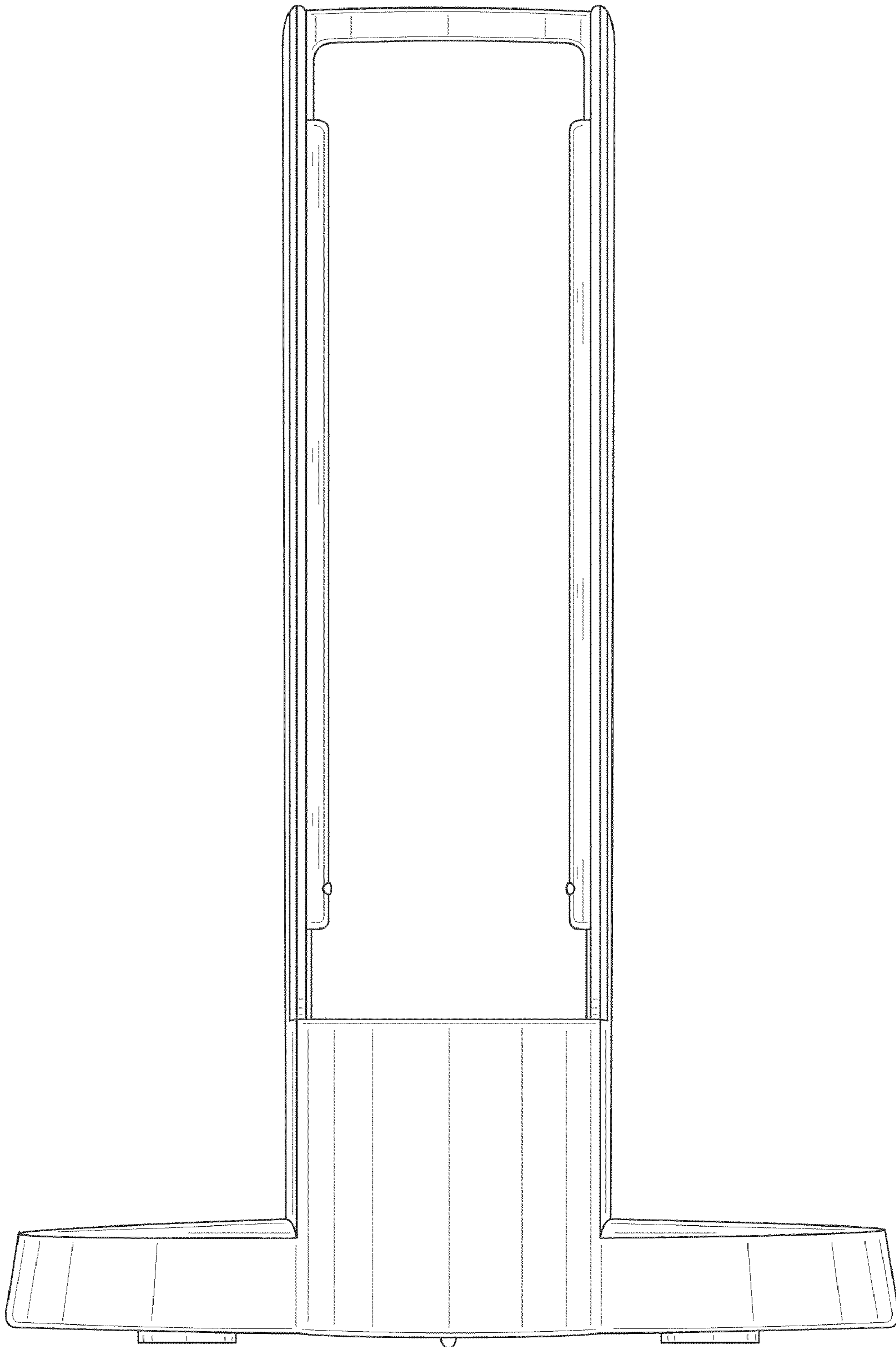


FIG.17

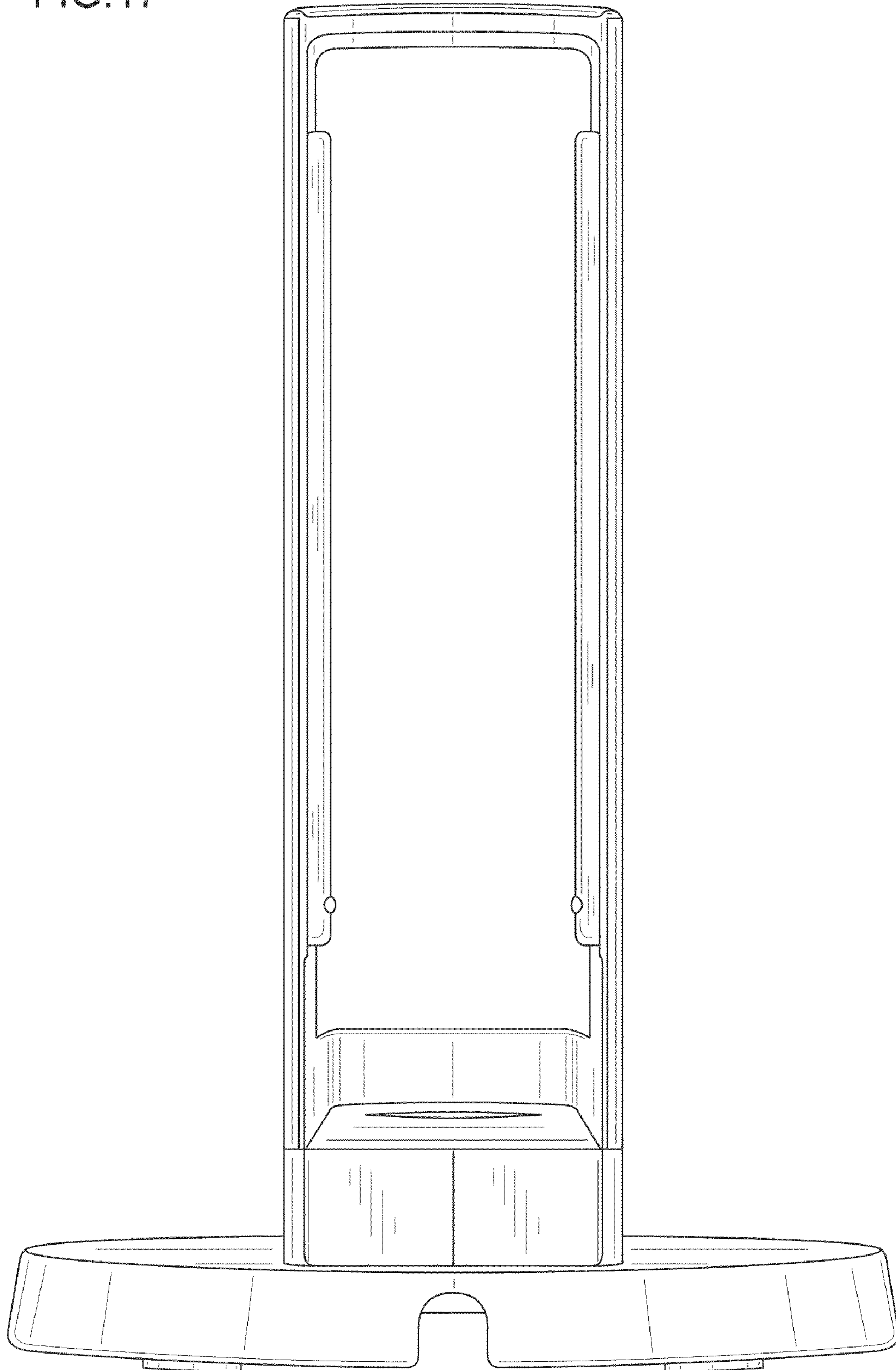


FIG.18

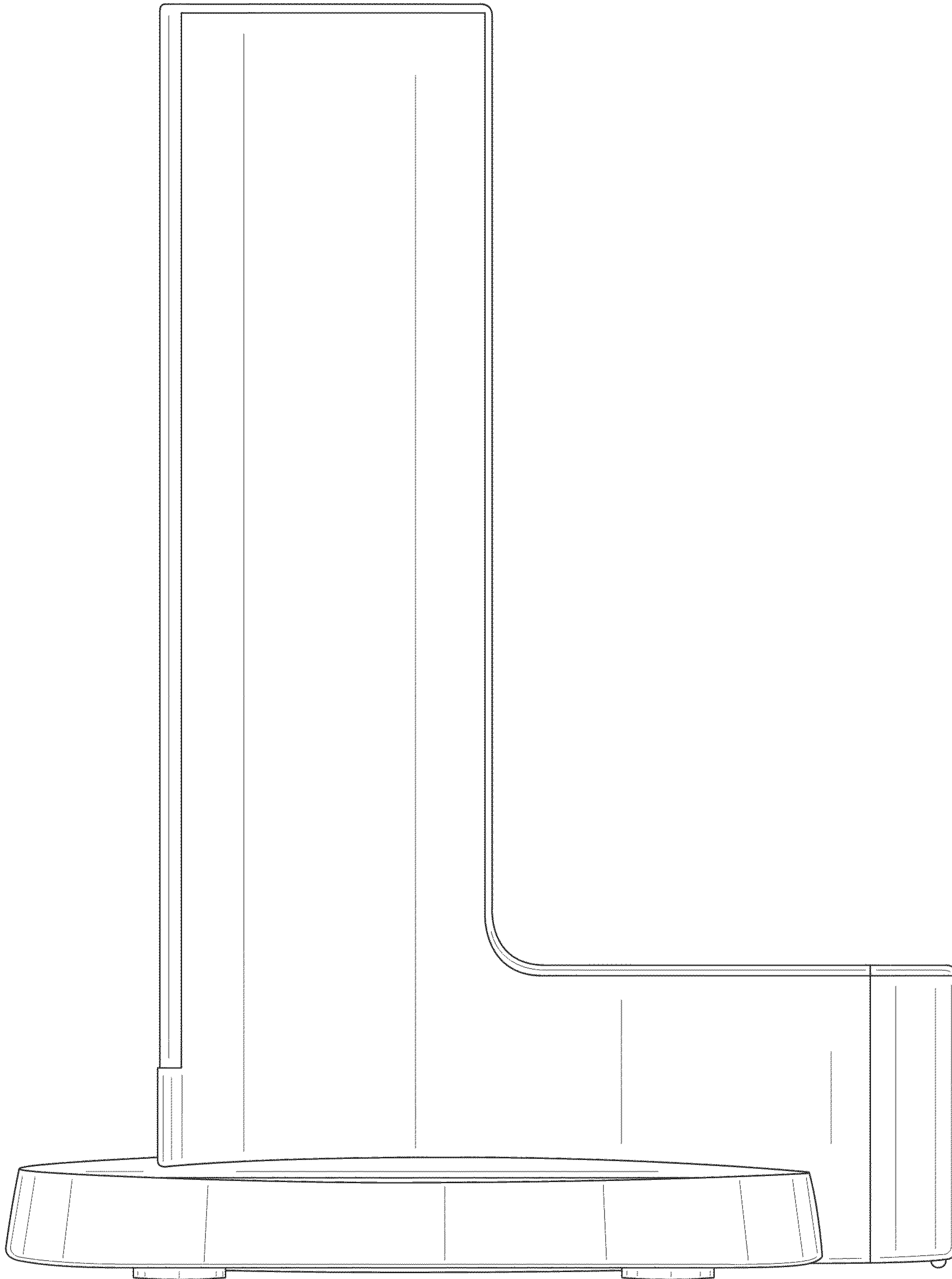


FIG.19

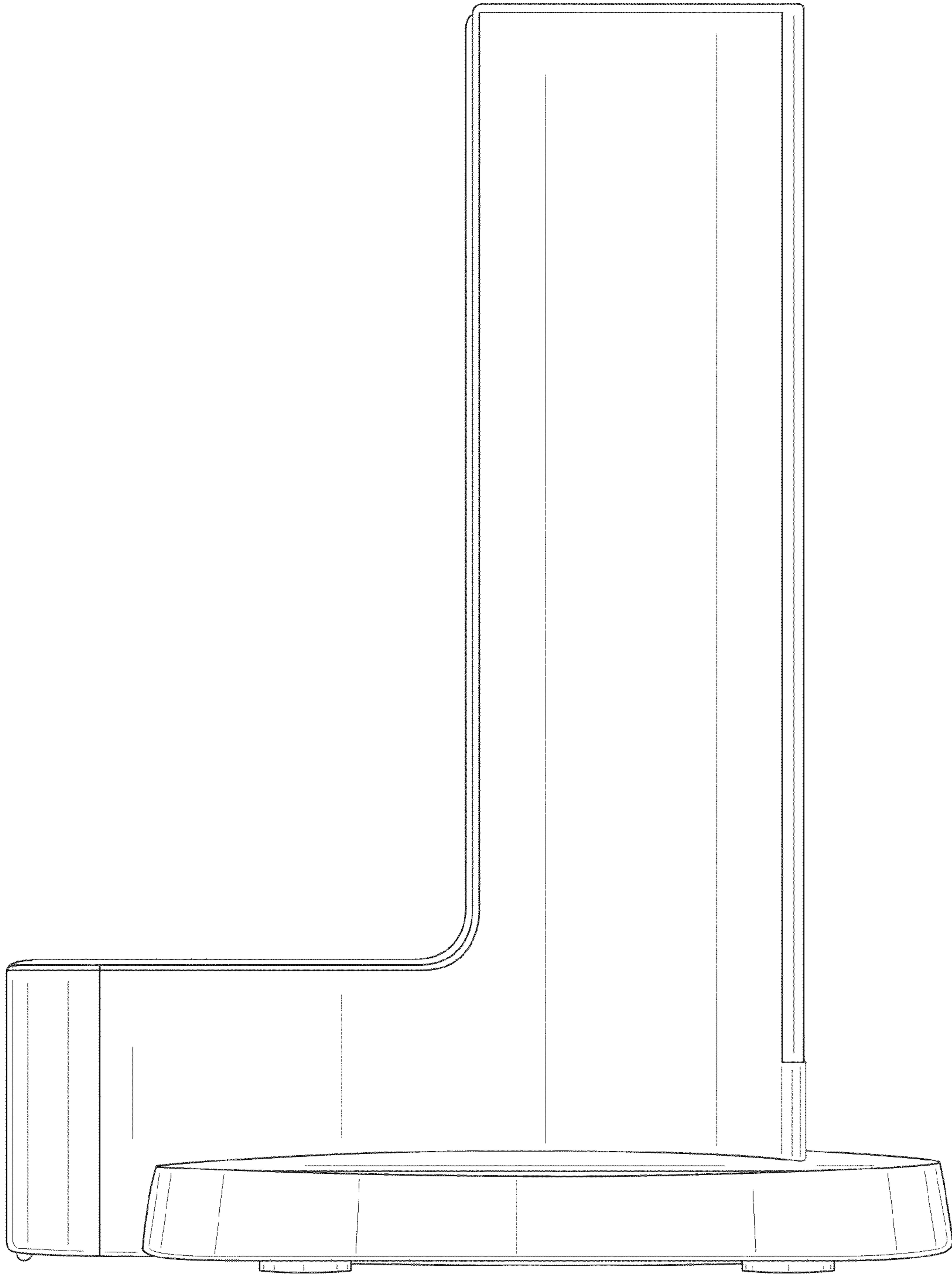


FIG.20

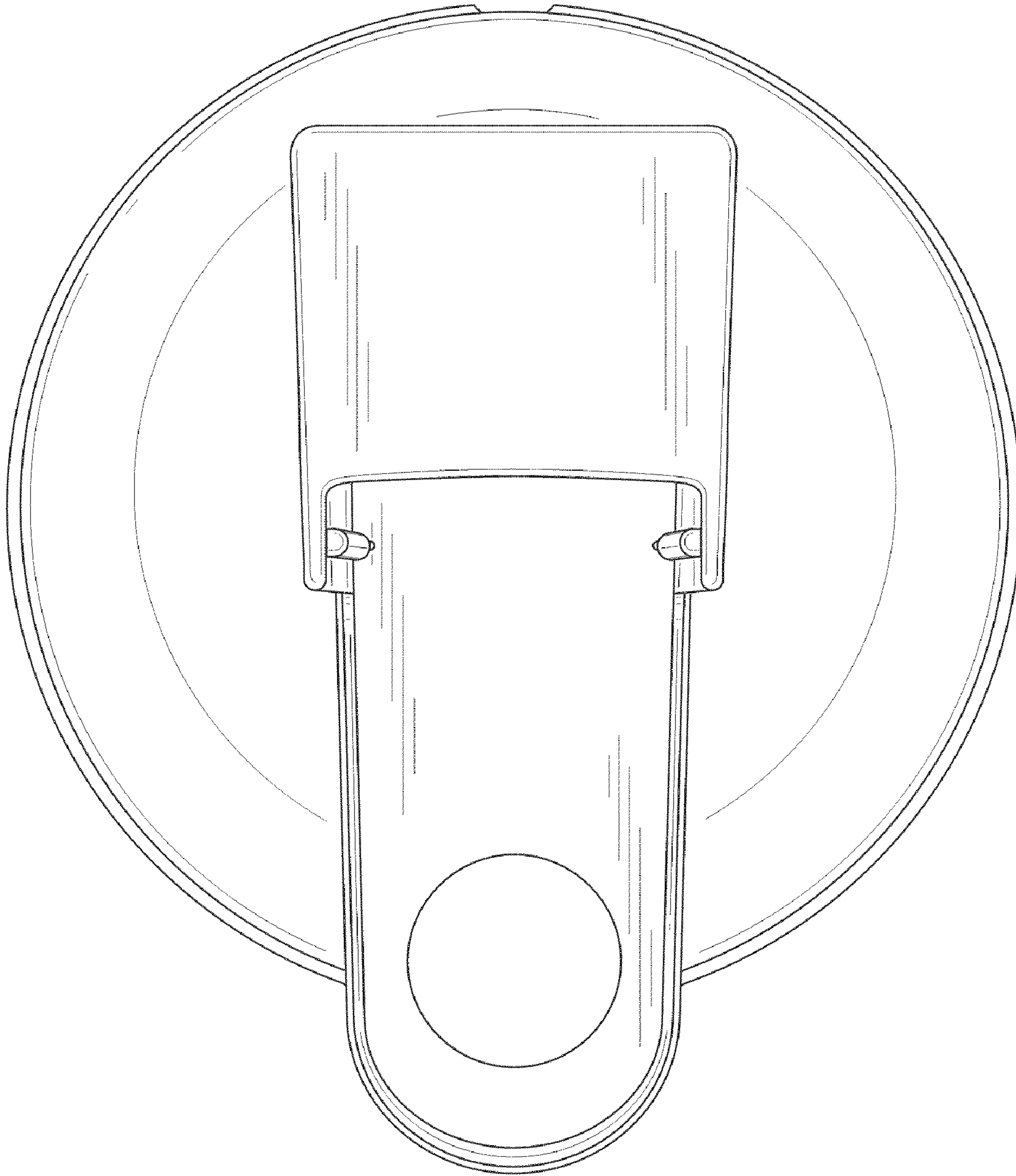


FIG.21

