

US00D591741S

(12) **United States Design Patent**
Whitehorn et al.

(10) **Patent No.:** **US D591,741 S**

(45) **Date of Patent:** **** May 5, 2009**

(54) **ELECTRONIC MEDIA READER**

(75) Inventors: **Symon J. Whitehorn**, Sausalito, CA (US); **Gregg E. Zehr**, Los Gatos, CA (US)

(73) Assignee: **Amazon Technologies, Inc.**, Seattle, WA (US)

(**) Term: **14 Years**

(21) Appl. No.: **29/246,293**

(22) Filed: **Mar. 29, 2006**

(51) **LOC (9) Cl.** **14-02**

(52) **U.S. Cl.** **D14/346**; D14/439

(58) **Field of Classification Search** D14/341, D14/342, 343, 344, 345, 346, 347, 420, 426, D14/427, 432, 439, 440, 441, 448, 496, 125, D14/137, 129, 130, 138, 250, 389, 147, 218, D14/247, 248, 156; D10/65, 104; D13/168; D18/6, 7; D21/329, 686; 455/90.3, 556.1, 455/556.2, 575.1, 575.3, 575.4; 379/433.01, 379/433.04, 433.06, 433.07; 361/814; 341/22; 345/169, 173

See application file for complete search history.

(56) **References Cited**

U.S. PATENT DOCUMENTS

D226,196 S 1/1973 Liljenwall

(Continued)

FOREIGN PATENT DOCUMENTS

KR 3002497510000 12/1999

(Continued)

OTHER PUBLICATIONS

U.S. Appl. No. 11/277,879, filed Mar. 29, 2006, entitled "Keyboard Layout for Handheld Electronic Book Reader Device," Gregg Elliott Zehr, Thomas J. Hobbs, John E. Johnston, Symon J. Whitehorn.

(Continued)

Primary Examiner—Cathron C Brooks

Assistant Examiner—Angela J Lee

(74) *Attorney, Agent, or Firm*—Lee & Hayes, PLLC

(57) **CLAIM**

The ornamental design for an electronic media reader, as shown and described.

DESCRIPTION

FIG. 1 is a perspective view of an electronic media reader according to one implementation;

FIG. 2 is a front plan view of the electronic media reader of FIG. 1;

FIG. 3 is a left side elevation view of the electronic media reader of FIG. 1;

FIG. 4 is a bottom elevation view of the electronic media reader of FIG. 1;

FIG. 5 is a back plan view of the electronic media reader of FIG. 1;

FIG. 6 is a right side elevation view of the electronic media reader of FIG. 1;

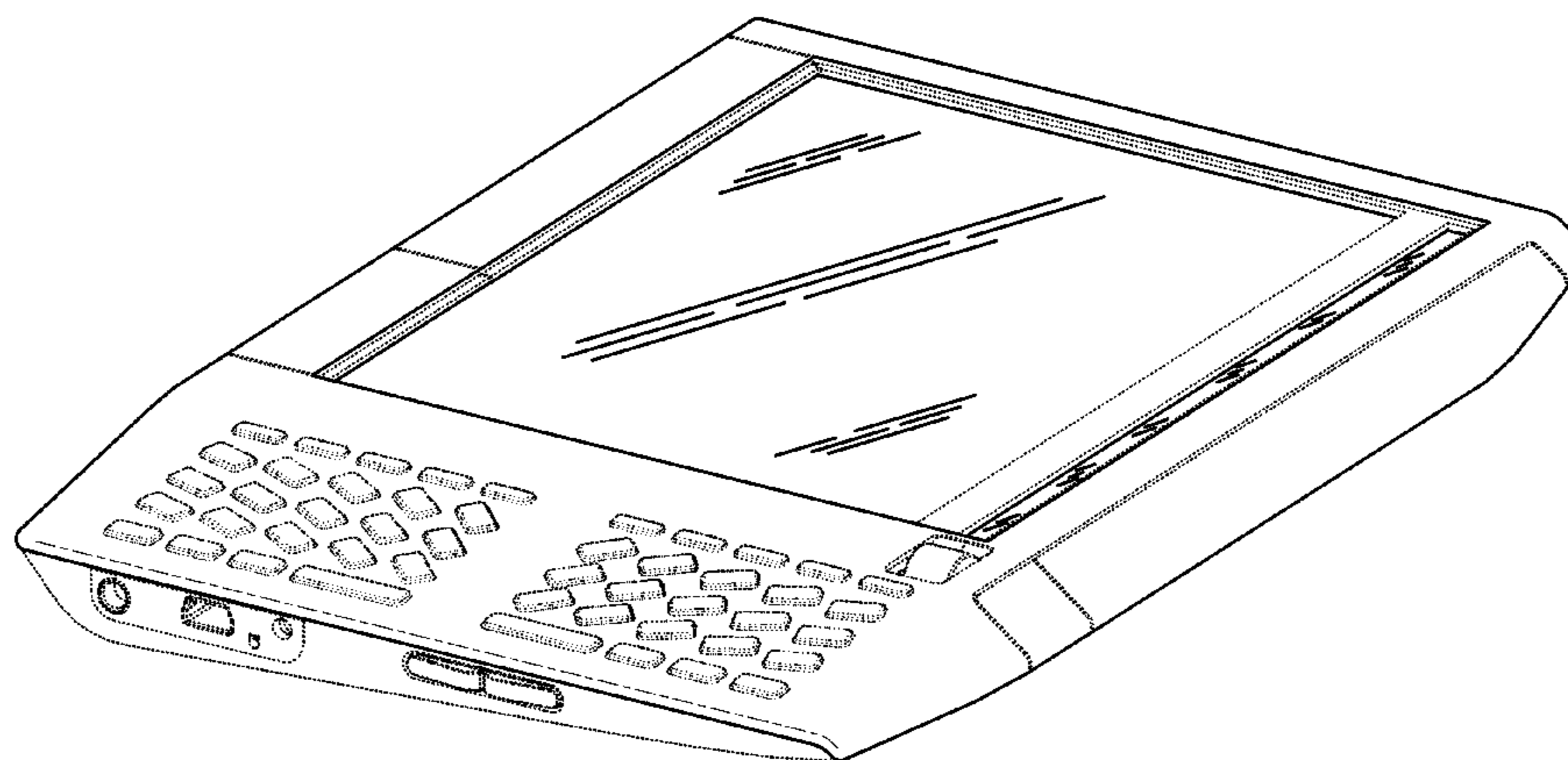
FIG. 7 is a top elevation view of the electronic media reader of FIG. 1;

FIG. 8 is a perspective view of an electronic media reader according to another implementation; and,

FIG. 9 is a front plan view of the electronic media reader of FIG. 8, the left, bottom, back, right, and top views of this implementation being identical to those shown in FIGS. 3–7, respectively.

The broken lines shown in FIGS. 1 and 8 around the exterior of the screens would align with and obstruct the solid lines defining the edges of the screens when viewed from a plan view and have, therefore, been omitted from FIGS. 2 and 9, respectively, for clarity.

1 Claim, 5 Drawing Sheets



U.S. PATENT DOCUMENTS

D274,798	S	7/1984	O'Hara et al.	
D325,571	S	4/1992	Sakaguchi et al.	
D359,753	S	6/1995	Salinas et al.	
D366,067	S *	1/1996	Mowrey	D21/329
D370,235	S *	5/1996	Wood	D19/60
D375,515	S	11/1996	Takeda et al.	
D377,930	S	2/1997	Sekino et al.	
D390,211	S *	2/1998	Yates et al.	D14/341
D421,744	S *	3/2000	Ono	D14/343
D426,547	S	6/2000	Khovaylo et al.	
D433,460	S *	11/2000	Griffin et al.	D21/329
D437,002	S	1/2001	Wudtke et al.	
D443,613	S *	6/2001	Do et al.	D14/345
D444,466	S *	7/2001	Nishida	D14/345
D449,606	S	10/2001	Lee et al.	
D454,870	S	3/2002	Lee et al.	
D460,493	S *	7/2002	Griffin et al.	D21/329
D466,115	S *	11/2002	Hawkins et al.	D14/345
D481,036	S	10/2003	Wentt	
D482,359	S *	11/2003	Skillman et al.	D14/341
D490,119	S *	5/2004	Griffin et al.	D21/329
D490,422	S	5/2004	Iwama et al.	
D492,304	S *	6/2004	Nishida	D14/345
D496,654	S	9/2004	Burroughs	
D499,095	S	11/2004	Balarezo	
6,867,763	B2	3/2005	Griffin et al.	
6,876,354	B1	4/2005	Terasaki et al.	
D511,162	S	11/2005	Majumder	
D524,308	S *	7/2006	Lai	D14/346
D528,106	S	9/2006	Lee et al.	
D529,024	S *	9/2006	Daw et al.	D14/346
D529,909	S	10/2006	Daw et al.	
D530,322	S	10/2006	Rak et al.	
D533,172	S	12/2006	Lee et al.	
D533,173	S	12/2006	Lee et al.	
D558,202	S	12/2007	Choi et al.	
D561,723	S	2/2008	Kim et al.	
2002/0050981	A1	5/2002	Nuovo	
2005/0190083	A1	9/2005	Tyneski et al.	

FOREIGN PATENT DOCUMENTS

KR 30-2004-0025424 7/2005

OTHER PUBLICATIONS

U.S. Appl. No. 11/277,893, filed Mar. 29, 2006, entitled "Handheld Electronic Book Reader Device Having Dual Displays", Gregg Elliott Zehr, Symon J. Whitehorn.
 U.S. Appl. No. 11/277,898, filed Mar. 29, 2006, entitled "Page Turner for Handheld Electronic Book Reader Device", Gregg Elliott Zehr, Thomas J. Hobbs, John E. Johnston, Jateen P. Parekh, Symon J. Whitehorn.
 U.S. Appl. No. 29/246,294, filed Mar. 29, 2006, entitled "Electronic Media Reader Keypad", Thomas J. Hobbs, John E. Johnston, Gregg Elliott Zehr.

U.S. Appl. No. 29/246,295, filed Mar. 29, 2006, entitled "Wedge-Shaped Electronic Media Reader", Symon J. Whitehorn, Gregg Elliott Zehr.
 Apple MacBook Pro Design, retrieved on Mar. 16, 2007 at <<<http://www.apple.com/macbookpro/design.html>>>, 1 page.
 Bookeen, "Cybook: the neverending book", retrieved from the internet on Oct. 22, 2007 at <<<http://www.bookeen.com/ebook/ebook-reading-device.aspx>>>, 2 pages.
 Sony Reader, "Revolutionary paper-like display", retrieved on the internet on Mar. 16, 2007 at <<http://www.learningcenter.sony.us/assets/itpd/reader/reader_features.html>>, 2 pages.
 "E Ink: Hanlin eReader V2", retrieved from the internet on Oct. 22, 2007 at <<<http://www.jinke.com.cn/compagesql/English/embedprodetail.asp?id=20>>>, 2 pages.
 "E-book device", Wikipedia, retrieved from the internet on Oct. 22, 2007 at <<http://en.wikipedia.org/wiki/E-book_device>>, 2 pages.
 "The Reader, Sony's new e-ink e-book reader—Engadget", retrieved on the internet on Mar. 16, 2007 at <<<http://www.engadget.com/2006/01/04/live-shot-of-the-reader-sonys-new-e-ink-e-book-reader>>>, 6 pages.
 "Amazon Kindle: meet Amazon's e-book reader", retrieved from the internet on Nov. 20, 2007 at <<<http://www.engadget.com/2006/09/11/amazon-kindle-meet-amazons-e-book-reader/>>>, 9 pages.
 "Hanlin eReader V2: Readman", Apr. 2006, Tianjin Jinke Electronics, Co. Ltd 2006, 1 page.
 Retrieved from the internet on Oct. 22, 2007 at <<<http://upload.wikimedia.org/wikipedia/en/9/91/Iriverbook2.jpg>>>, 1 page.
 "iLiad", Wikipedia, retrieved from the internet on Oct. 22, 2007 at <<<http://en.wikipedia.org/wiki/ILiad>>>, 3 pages.
 "Image:Laptop-ebook.jpg", Wikipedia, retrieved from the internet on Oct. 22, 2007 at <<<http://en.wikipedia.org/wiki/Image:Laptop-ebook.jpg>>>, 2 pages.
 "Image:Iriverbook2.jpg", Wikipedia, retrieved from the internet on Oct. 22, 2007 at <<<http://en.wikipedia.org/wiki/Image:Iriverbook2.jpg>>>, 3 pages.
 "New to E-Books", Club Lighthouse Publishing, retrieved from the internet on Oct. 22, 2007 at <<http://www.clublighthousepublishing.com/NEW_TO_%20EBOOKS_PAGE.htm>>, 3 pages.
 NUUT e-Book, "NUUT Keyword", retrieved from the internet on Oct. 22, 2007 at <<<http://nuutbook.com/html/detail.asp>>>, 3 pages.
 Sony Reader details and pics, "Engadget", retrieved on the internet on Mar. 16, 2007 at <<<http://www.engadget.com/2006/01/06/sony-reader-details-and-pics/>>>, 8 pages.
 "Sony Librie EBR-1000EP", Wikipedia, retrieved from the internet on Oct. 22, 2007 at <<<http://en.wikipedia.org/wiki/Libri%C3%A9>>>, 2 pages.
 "Sony Reader", Wikipedia, retrieved from the internet on Oct. 22, 2007 at <<http://en.wikipedia.org/wiki/Sony_Reader>>, 4 pages.
 Sony Reader, "06 Accessories", retrieved on the internet on Mar. 16, 2007 at <<<http://www.learningcenter.sony.us/assets/itpd/reader/index.html>>>, 1 page.
 Sony Reader Blog, "Specifications", retrieved on the internet on Mar. 16, 2007 at <<<http://www.thesonyreader.com/sony-reader-specifications>>>, 12 pages.

* cited by examiner

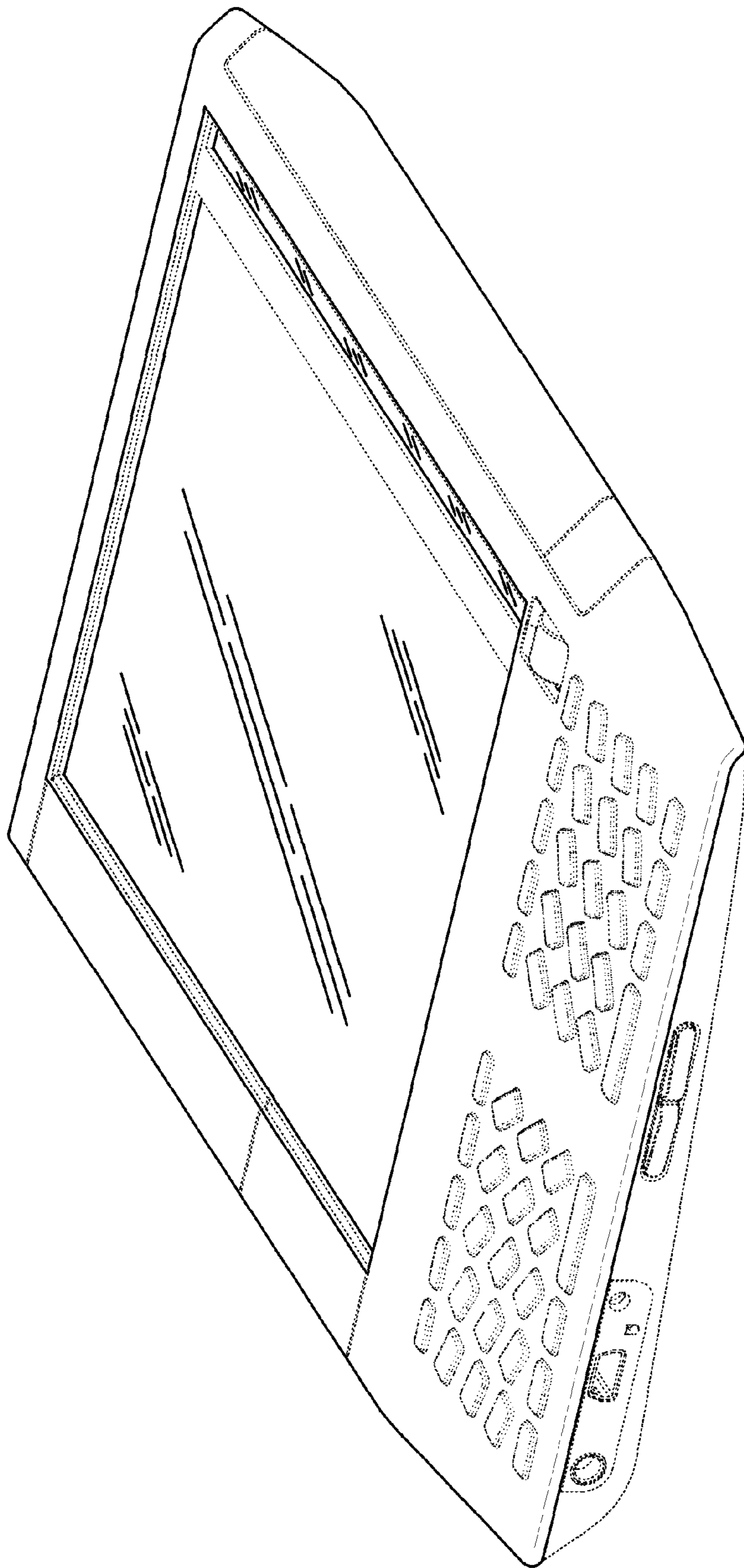


Fig. 1

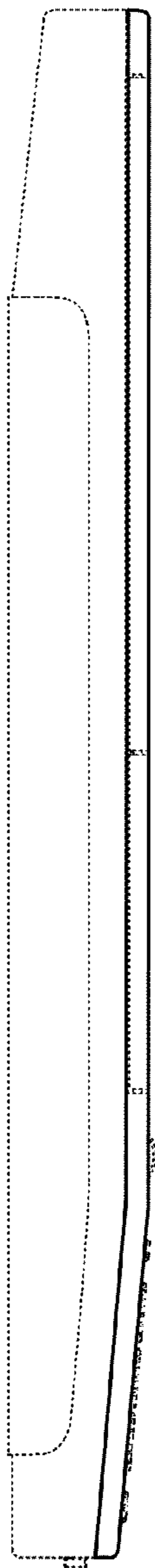


FIG. 3

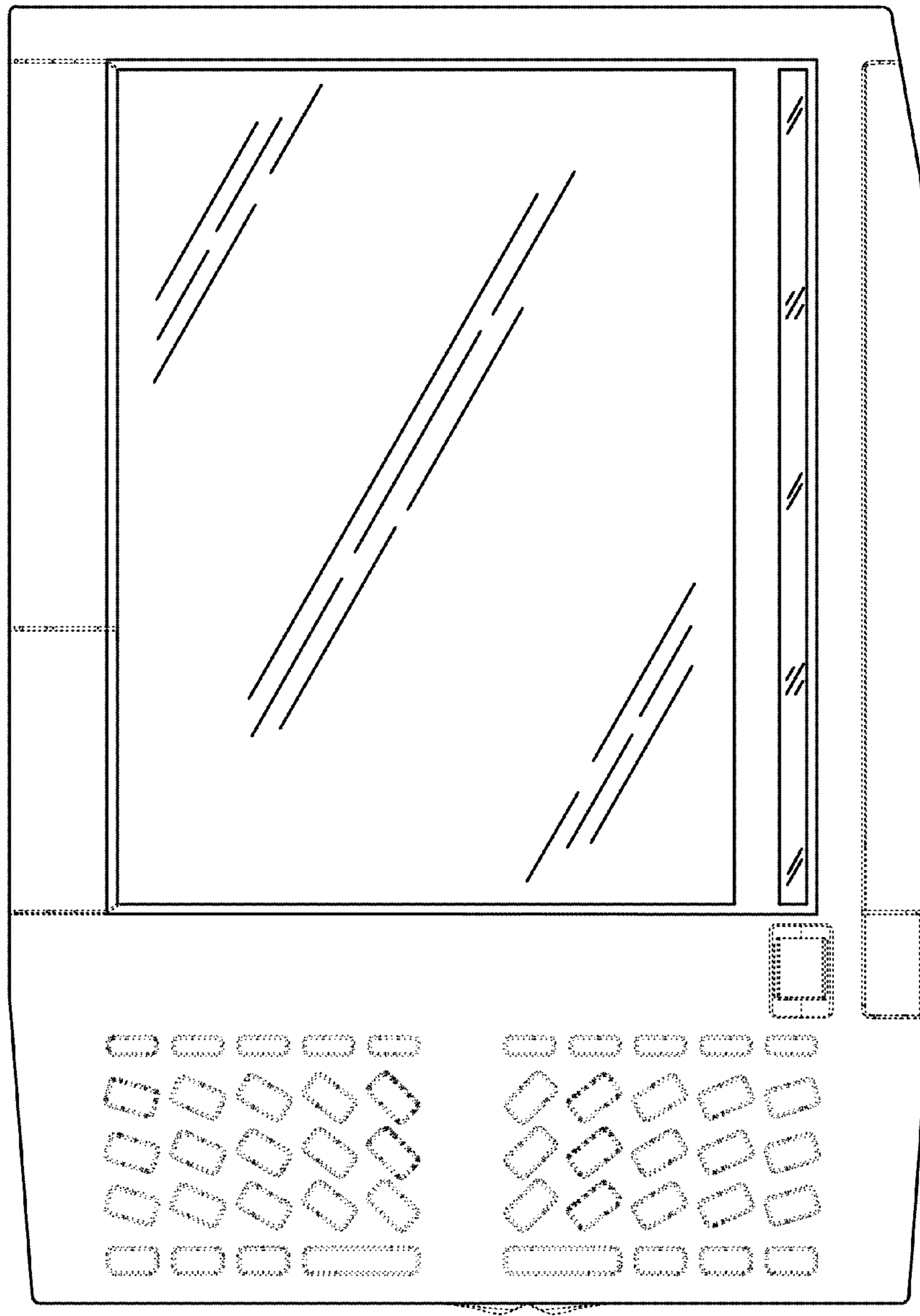


FIG. 2

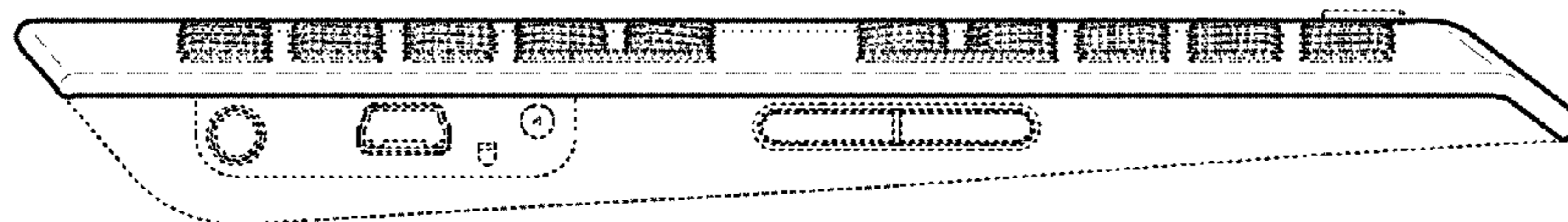


FIG. 4

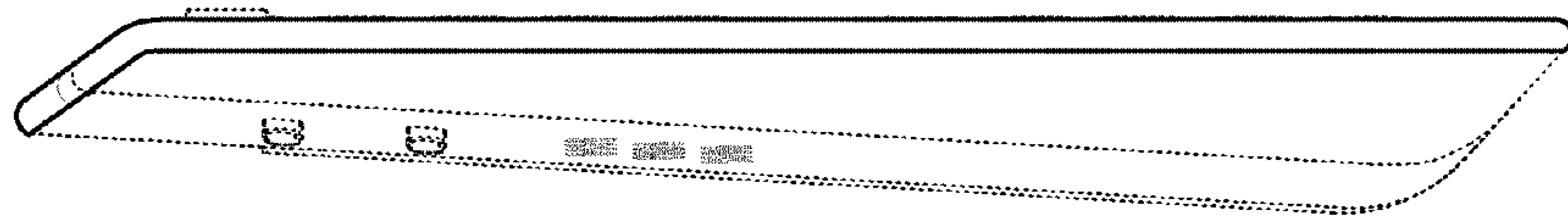


FIG. 7

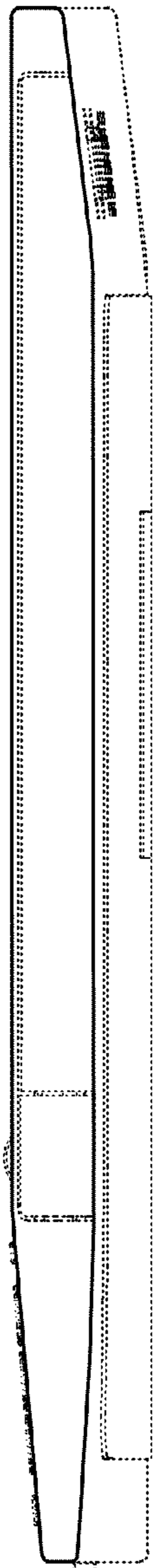


FIG. 6

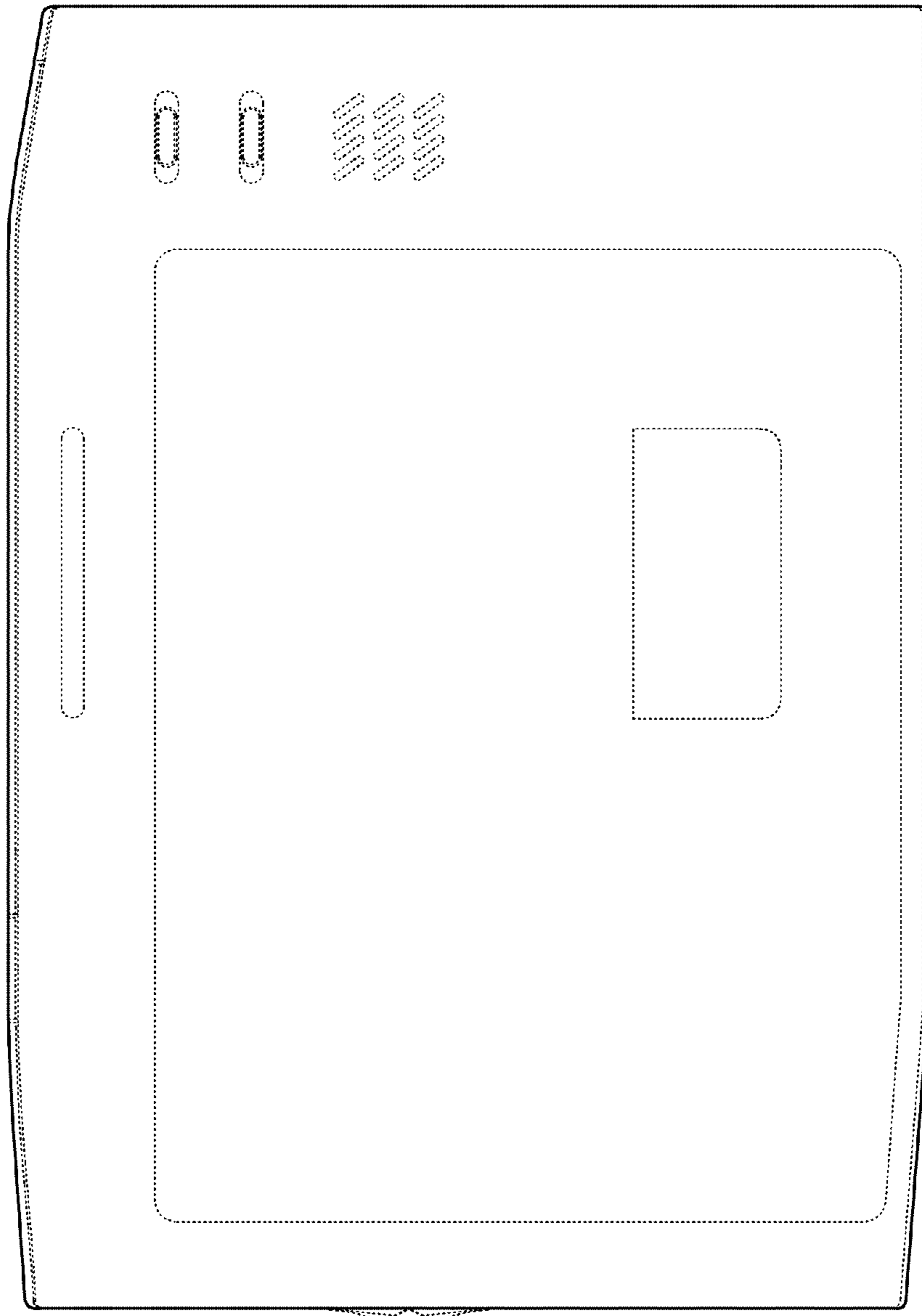
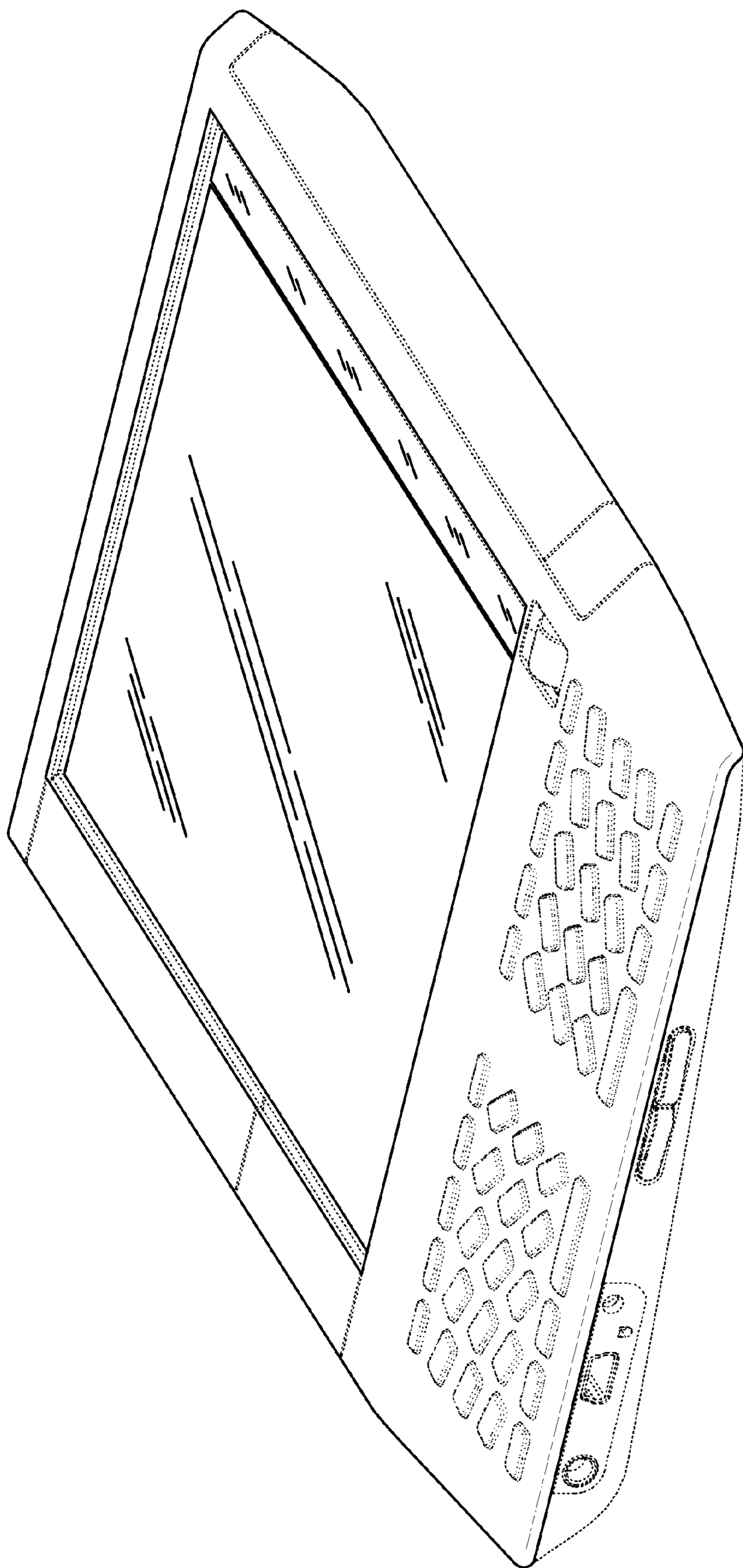


FIG. 5



8.56E

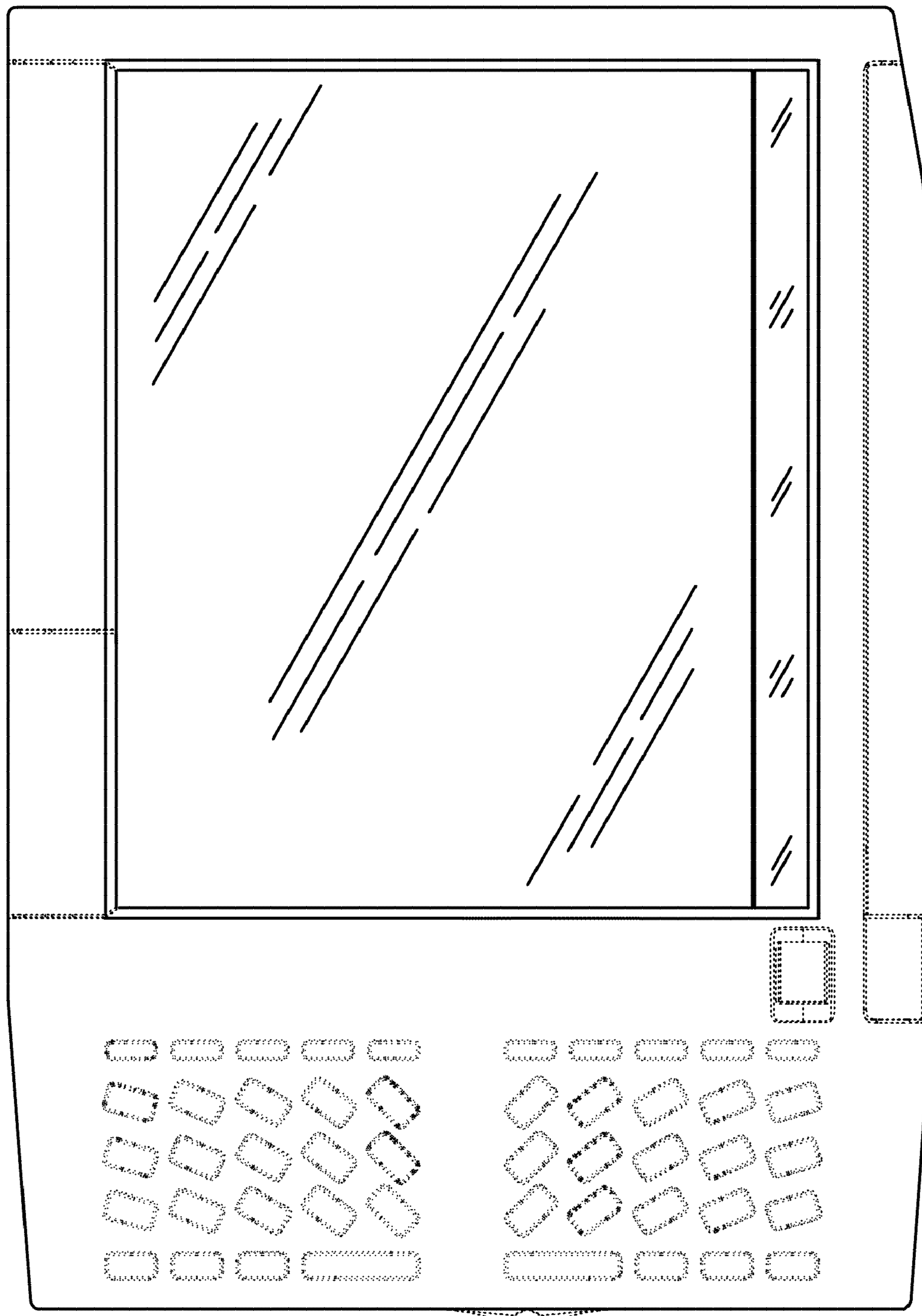


Fig. 9