



US00D591737S

(12) **United States Design Patent**
Morooka et al.

(10) **Patent No.:** **US D591,737 S**
(45) **Date of Patent:** **** May 5, 2009**

(54) **PERSONAL COMPUTER**

(75) Inventors: **Hisao Morooka**, Inagi (JP); **Mikako Sanjo**, Yokohama (JP)

(73) Assignee: **Fujitsu Limited**, Kawasaki (JP)

(**) Term: **14 Years**

(21) Appl. No.: **29/290,041**

(22) Filed: **Oct. 15, 2007**

(30) **Foreign Application Priority Data**

Jun. 13, 2007 (JP) 2007-015653

(51) **LOC (9) Cl.** **14-02**

(52) **U.S. Cl.** **D14/318; D14/315**

(58) **Field of Classification Search** D14/315-326,
D14/439; D18/1, 2, 7, 11; 235/145 A, 145 R;
341/22, 23; 345/156, 167-169, 172, 173,
345/87; 361/680-686, 690-696; 400/486,
400/489; 379/428.04

See application file for complete search history.

(56) **References Cited**

U.S. PATENT DOCUMENTS

6,219,037 B1 * 4/2001 Lee 345/167
6,429,846 B2 * 8/2002 Rosenberg et al. 345/156
D515,094 S * 2/2006 Kawami et al. D14/439
D535,292 S * 1/2007 Shi et al. D14/315

D535,655 S * 1/2007 Araki D14/439
7,233,314 B2 * 6/2007 Shih 345/156
D559,245 S * 1/2008 Iseki D14/318
D559,247 S * 1/2008 Kawase D14/318
2005/0052425 A1 * 3/2005 Zadesky et al. 345/173

* cited by examiner

Primary Examiner—Freda S Nunn

(74) *Attorney, Agent, or Firm*—Staas & Halsey LLP

(57) **CLAIM**

The ornamental design for a personal computer, as shown and described.

DESCRIPTION

FIG. 1 is a perspective view of top, front and right side of a personal computer showing our new design;

FIG. 2 is a front view thereof;

FIG. 3 is a rear view thereof;

FIG. 4 is a left side view thereof;

FIG. 5 is a right side view thereof;

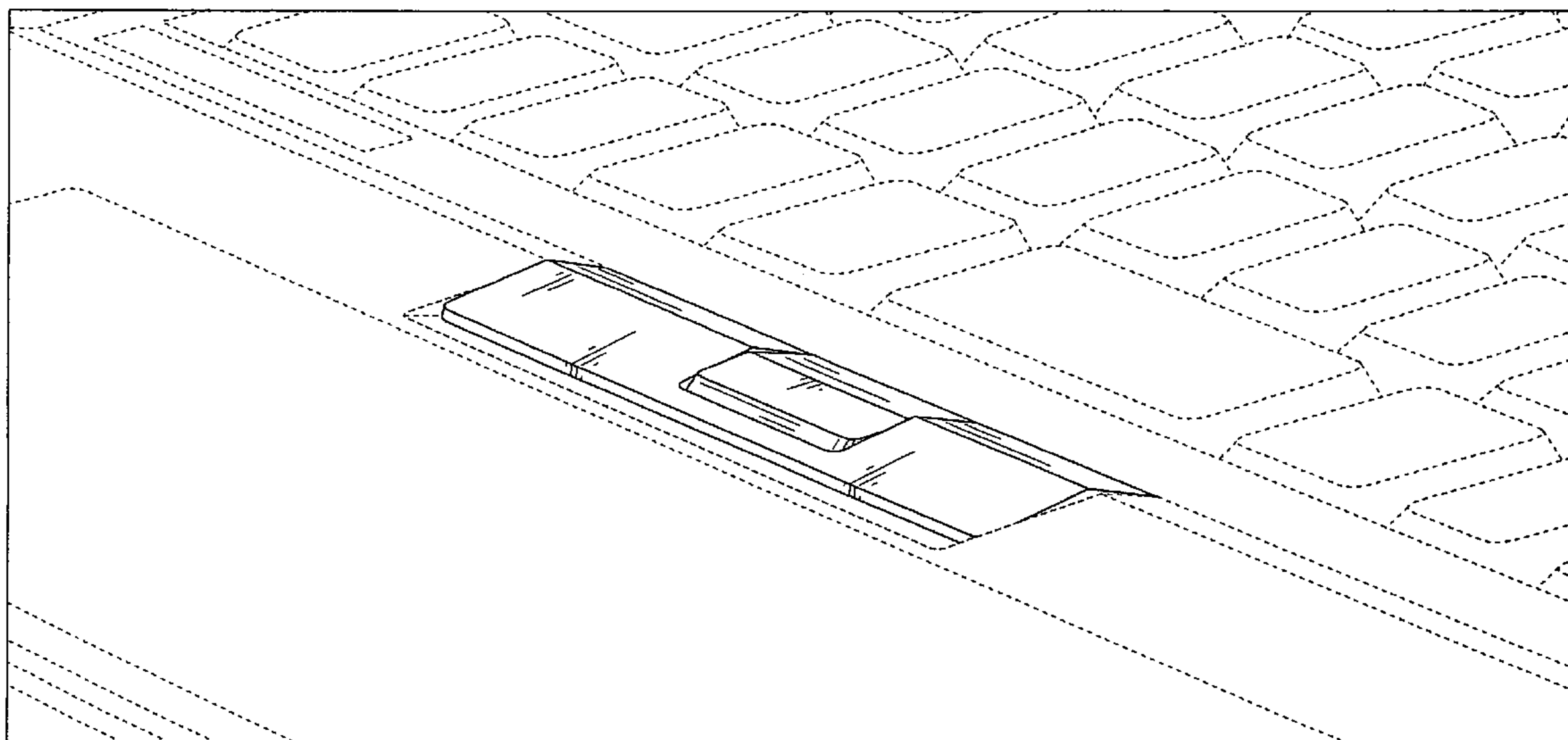
FIG. 6 is a top plan view thereof;

FIG. 7 is a bottom view thereof; and,

FIG. 8 is a partially enlarged perspective view taken along line A—A and B—B in FIG. 1.

Broken lines shown in the drawings illustrate portions of the personal computer, and form no part of the claimed design.

1 Claim, 8 Drawing Sheets



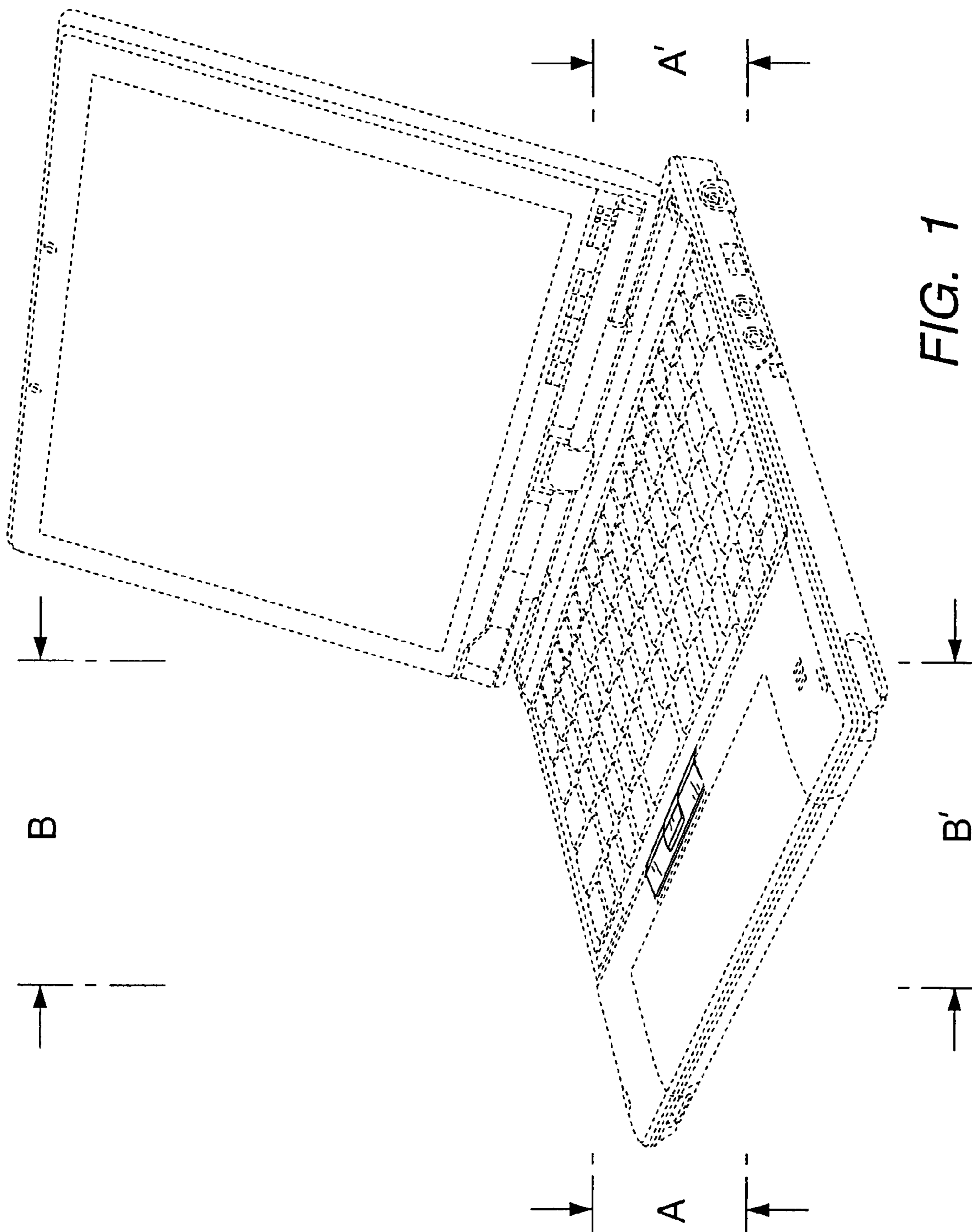


FIG. 1

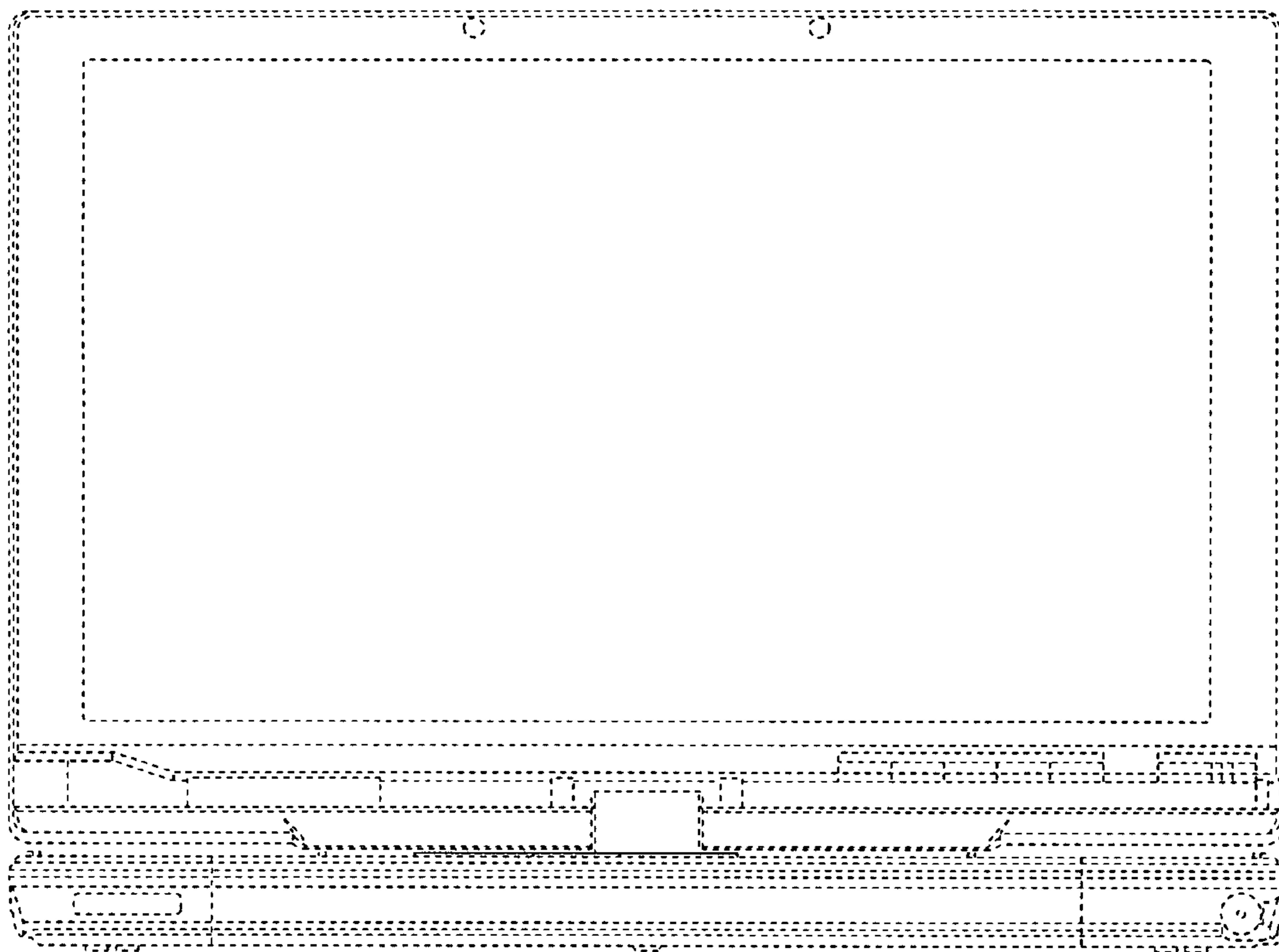


FIG. 2

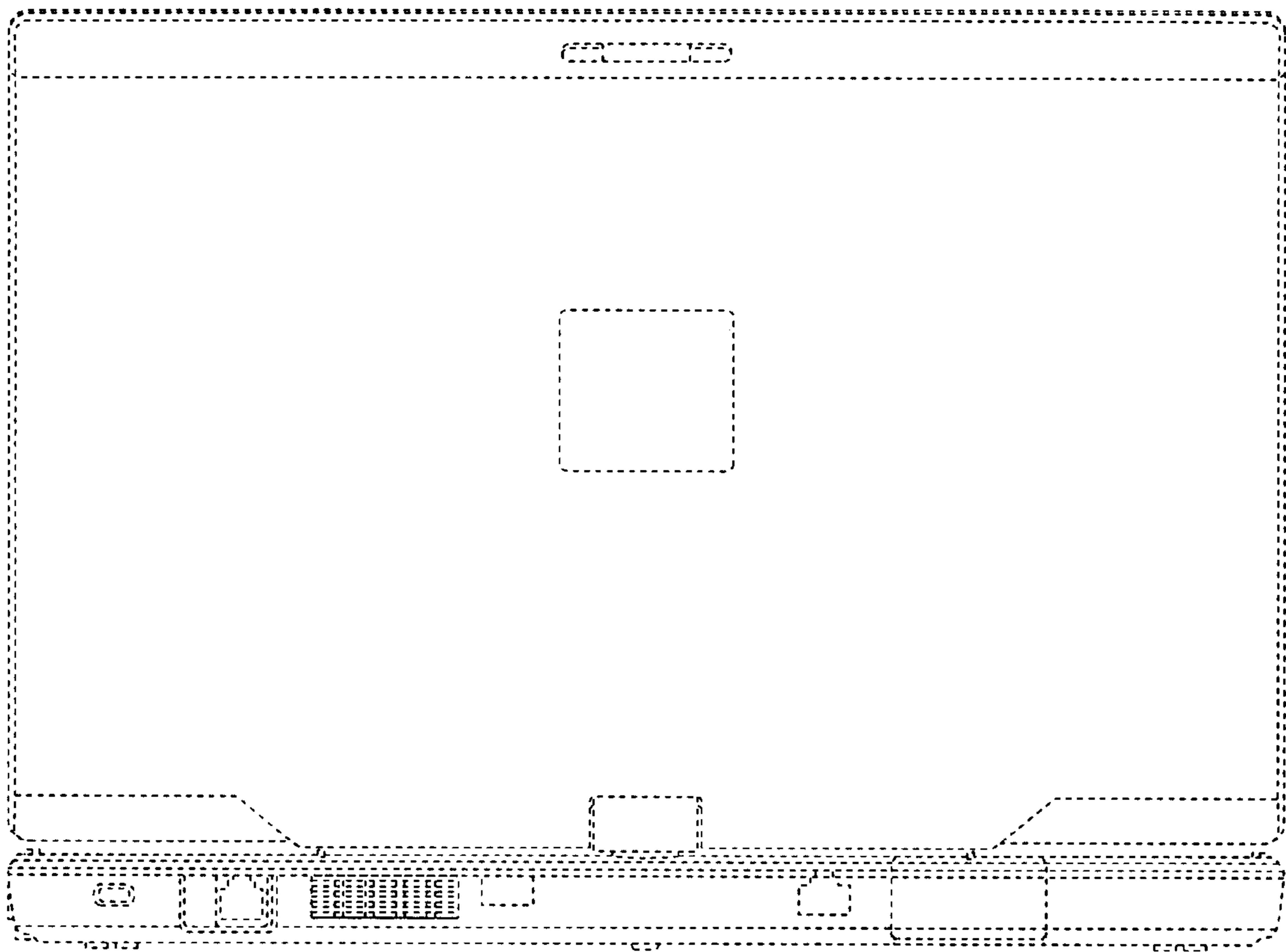


FIG. 3

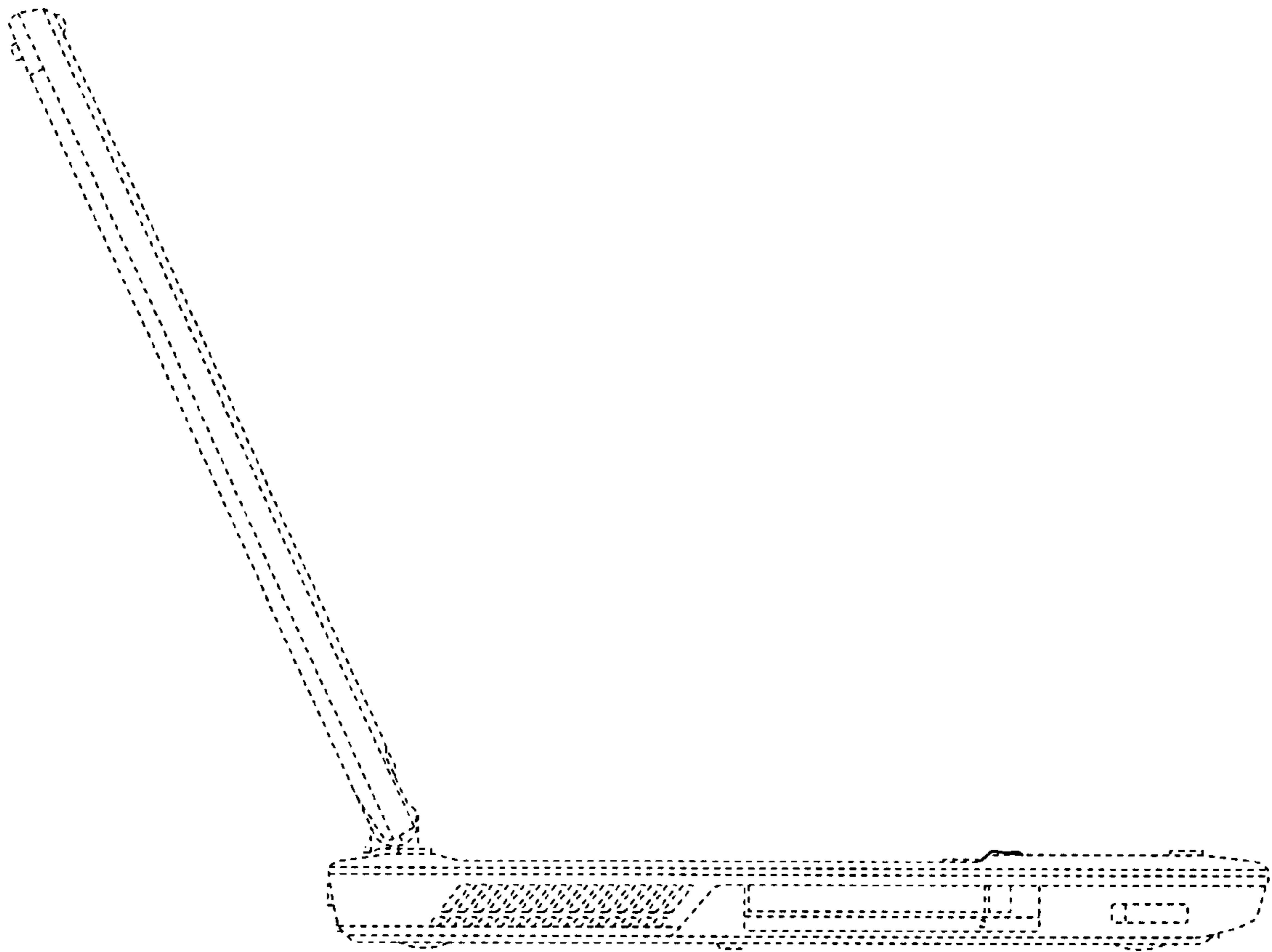


FIG. 4

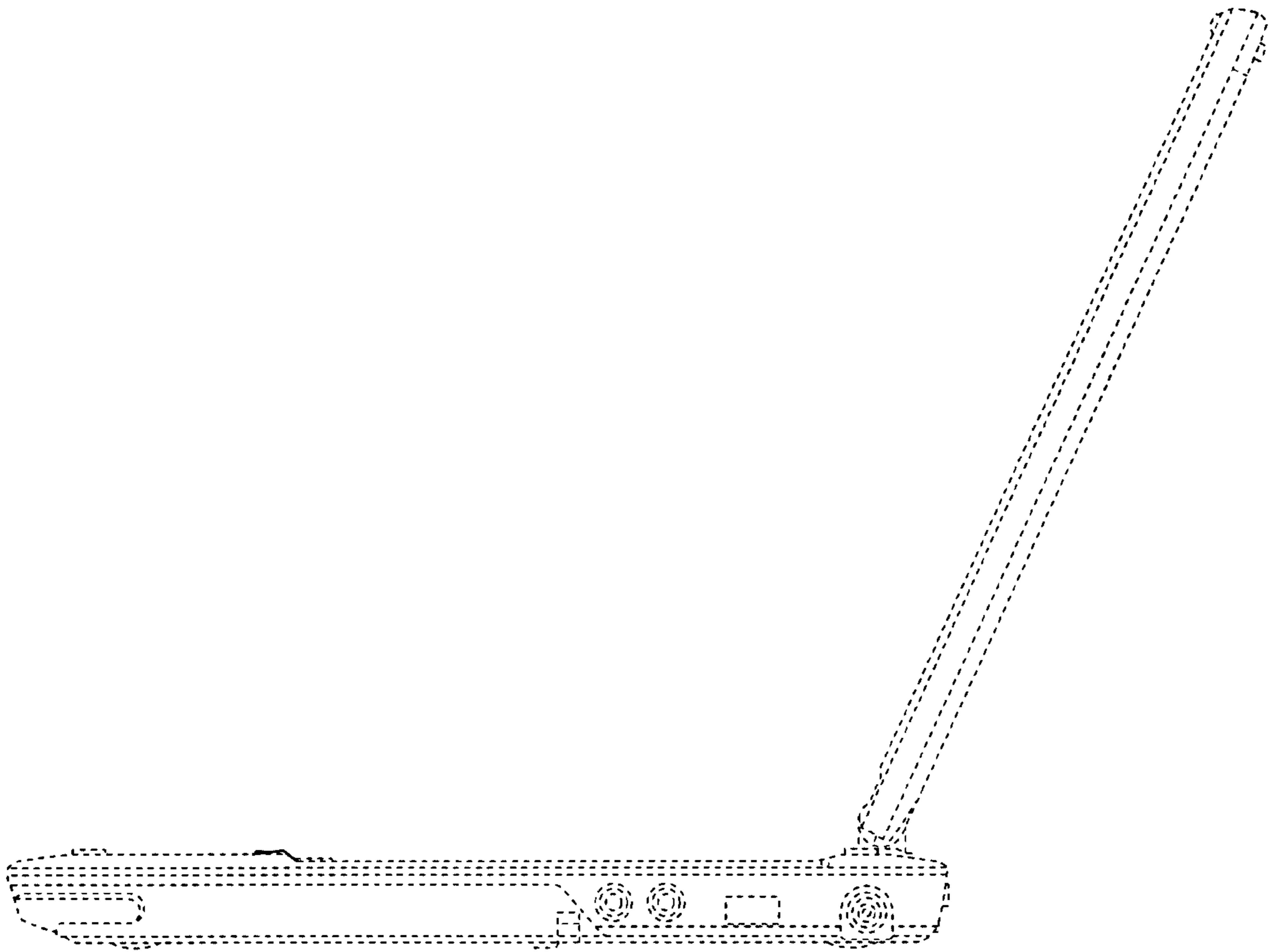


FIG. 5

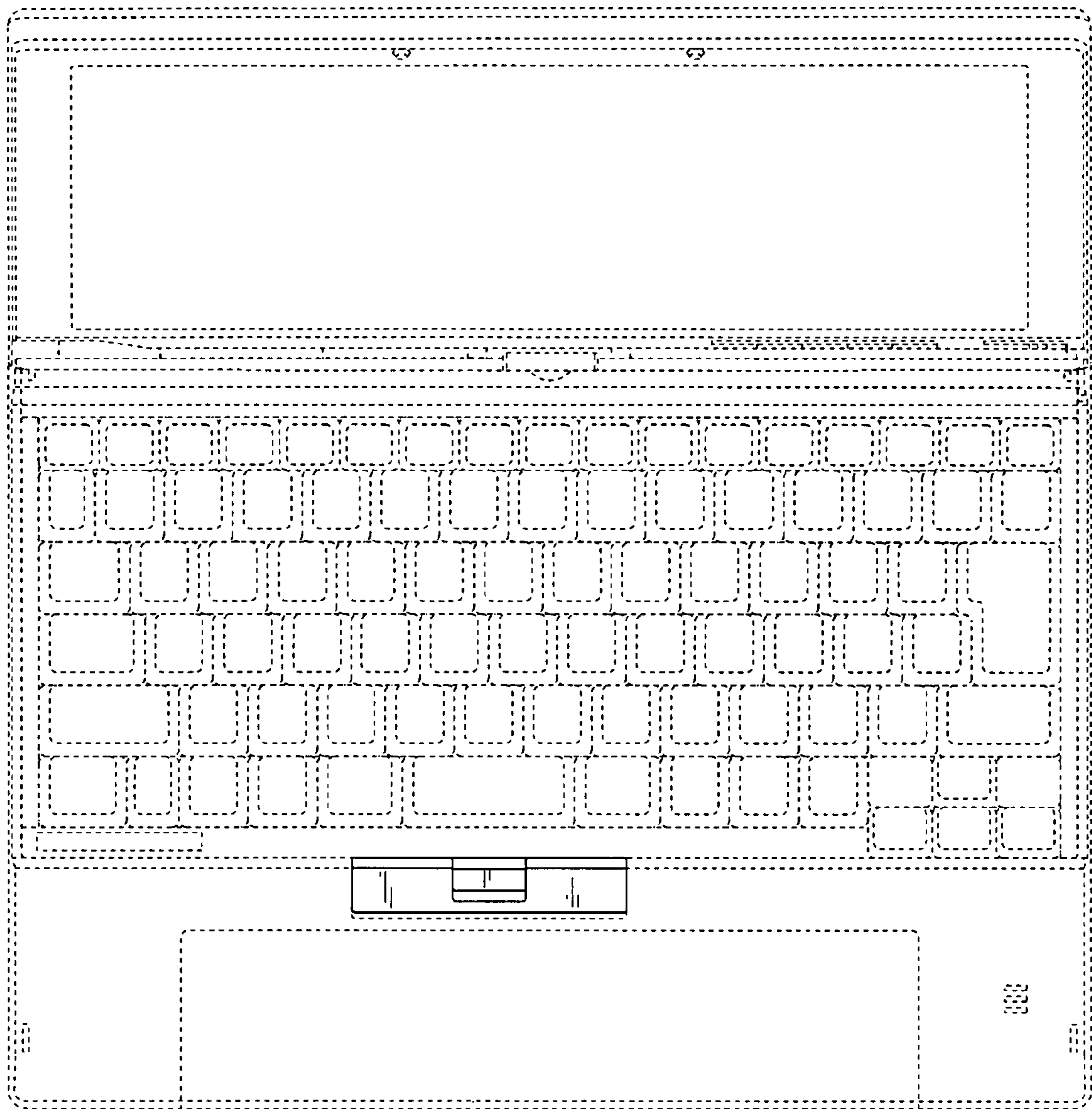


FIG. 6

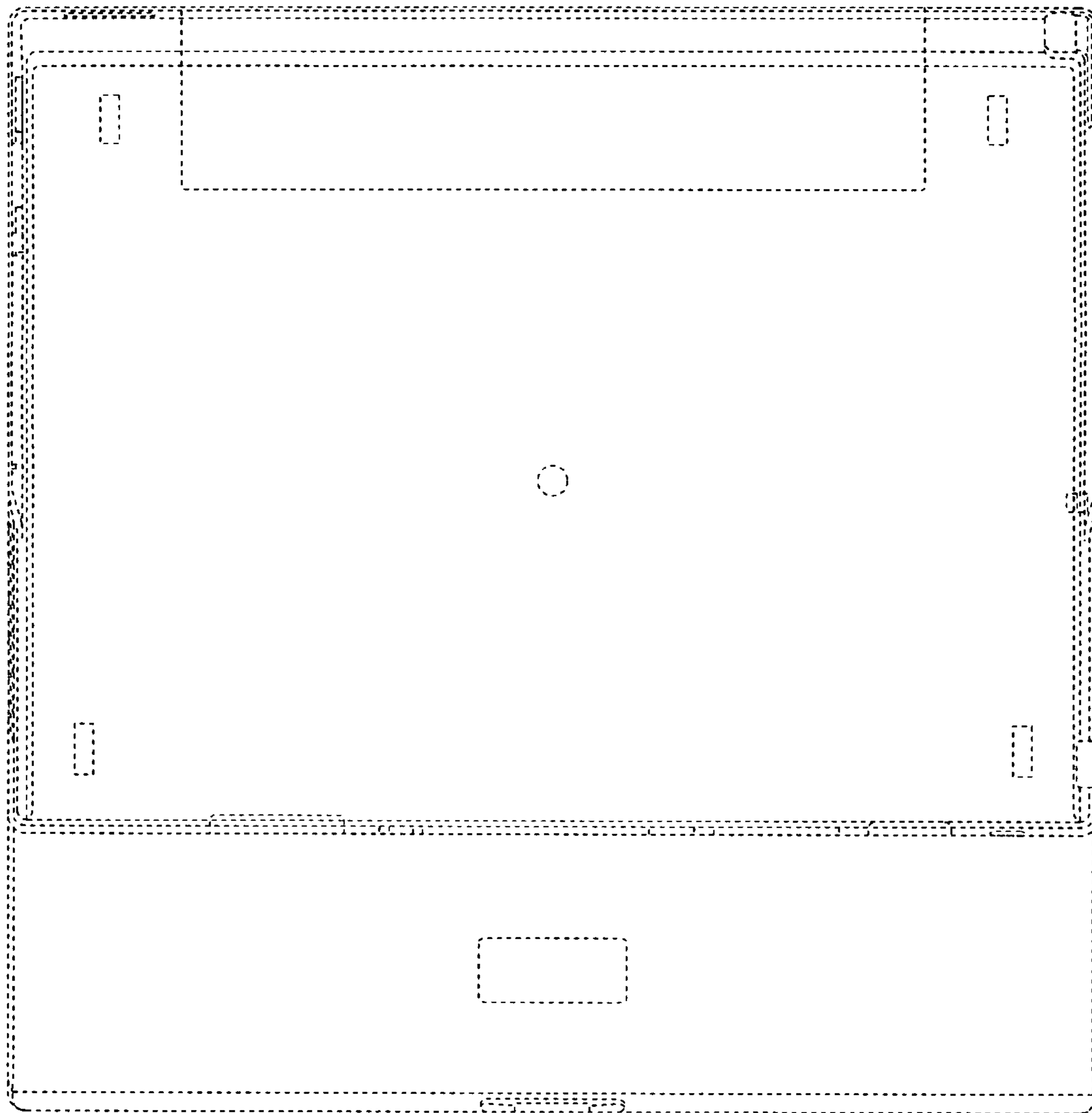


FIG. 7

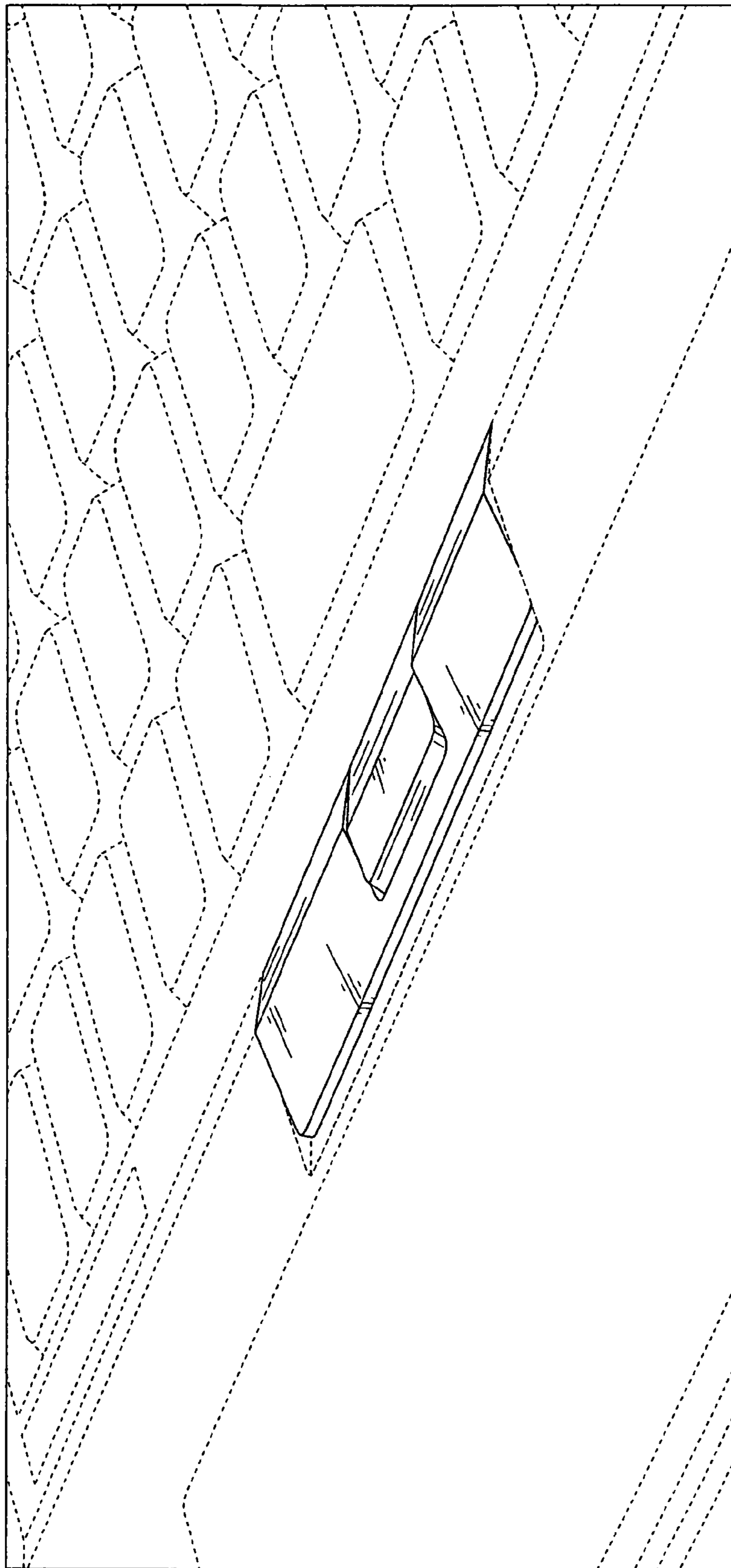


FIG. 8