

US00D591734S

(12) **United States Design Patent**
Karakama

(10) **Patent No.:** **US D591,734 S**

(45) **Date of Patent:** **** May 5, 2009**

(54) **TELEVISION OR COMMUNICATION
ANTENNA ELEMENT COMPRISING A HIGH
FREQUENCY WAVE COUPLER**

2002/0067315 A1* 6/2002 Kunysz 343/770
2005/0104789 A1* 5/2005 Hashidate et al. 343/725
2007/0229368 A1* 10/2007 Hata et al. 343/700 MS
2008/0024241 A1* 1/2008 Hata et al. 333/26

(75) Inventor: **Takahisa Karakama**, Nagano (JP)

* cited by examiner

(73) Assignees: **NISSEI Limited**, Tokyo (JP);
Faverights, Inc., Nagano (JP)

Primary Examiner—T. Chase Nelson
Assistant Examiner—John Windmuller

(**) Term: **14 Years**

(74) *Attorney, Agent, or Firm*—Crowell & Moring LLP

(21) Appl. No.: **29/324,813**

(57) **CLAIM**

(22) Filed: **Sep. 22, 2008**

The ornamental design for a television or communication antenna element comprising a high frequency wave coupler, as shown and described.

(51) **LOC (9) Cl.** **14-03**

(52) **U.S. Cl.** **D14/230**

(58) **Field of Classification Search** D14/138,
D14/230–238, 299, 358; D12/42, 43; 343/700 MS,
343/700 R–705, 711–713, 741, 748, 767,
343/795, 819, 840, 846, 866, 871–908; 455/90.2,
455/90.3, 91, 128, 269, 344, 347, 562.1
See application file for complete search history.

DESCRIPTION

FIG. 1 is a perspective view of a television or communication antenna element comprising a high frequency wave coupler according to my novel design;

FIG. 2 is a front view thereof;

FIG. 3 is a rear view thereof;

FIG. 4 is a top view thereof;

FIG. 5 is a bottom view thereof;

FIG. 6 is a right side view thereof; and,

FIG. 7 is a left side view thereof.

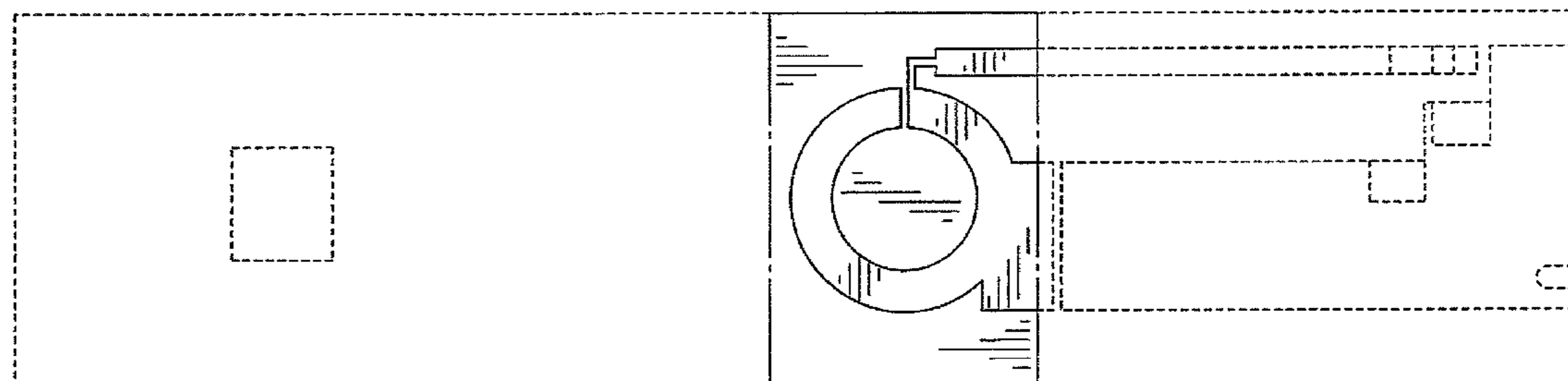
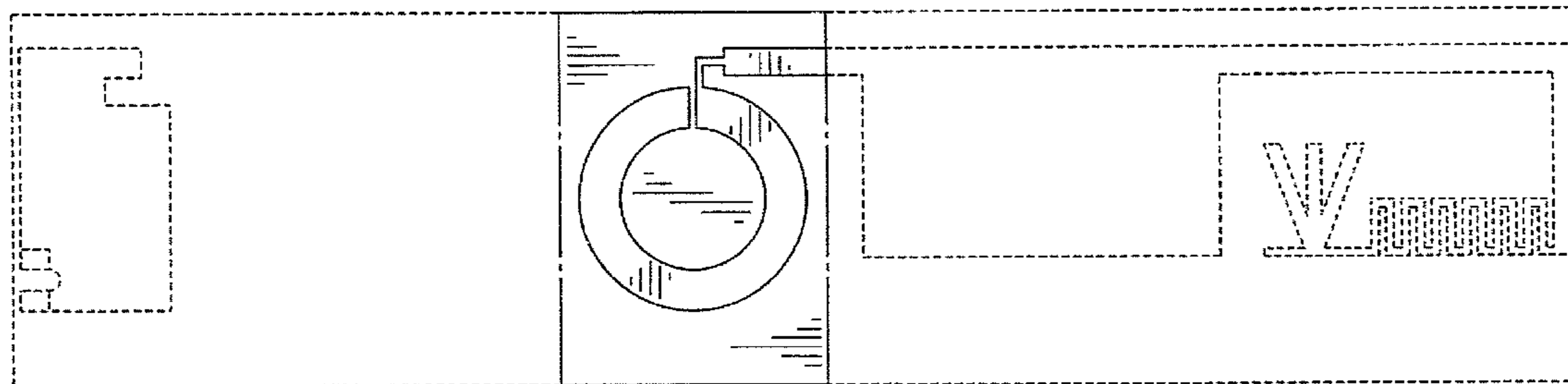
In the drawings, the broken lines depict portions of the antenna element that form no part of the claimed design.

(56) **References Cited**

U.S. PATENT DOCUMENTS

2,617,033 A * 11/1952 Posthumus 343/856
5,005,019 A * 4/1991 Zaghoul et al. 343/700 MS
5,973,644 A * 10/1999 Haneishi et al. 343/700 MS
6,961,023 B2 * 11/2005 Fujii et al. 343/713
6,992,630 B2 * 1/2006 Parsche 343/700 MS
7,079,080 B2 * 7/2006 Mizuno et al. 343/700 MS
D543,976 S * 6/2007 Oliver D14/230

1 Claim, 3 Drawing Sheets



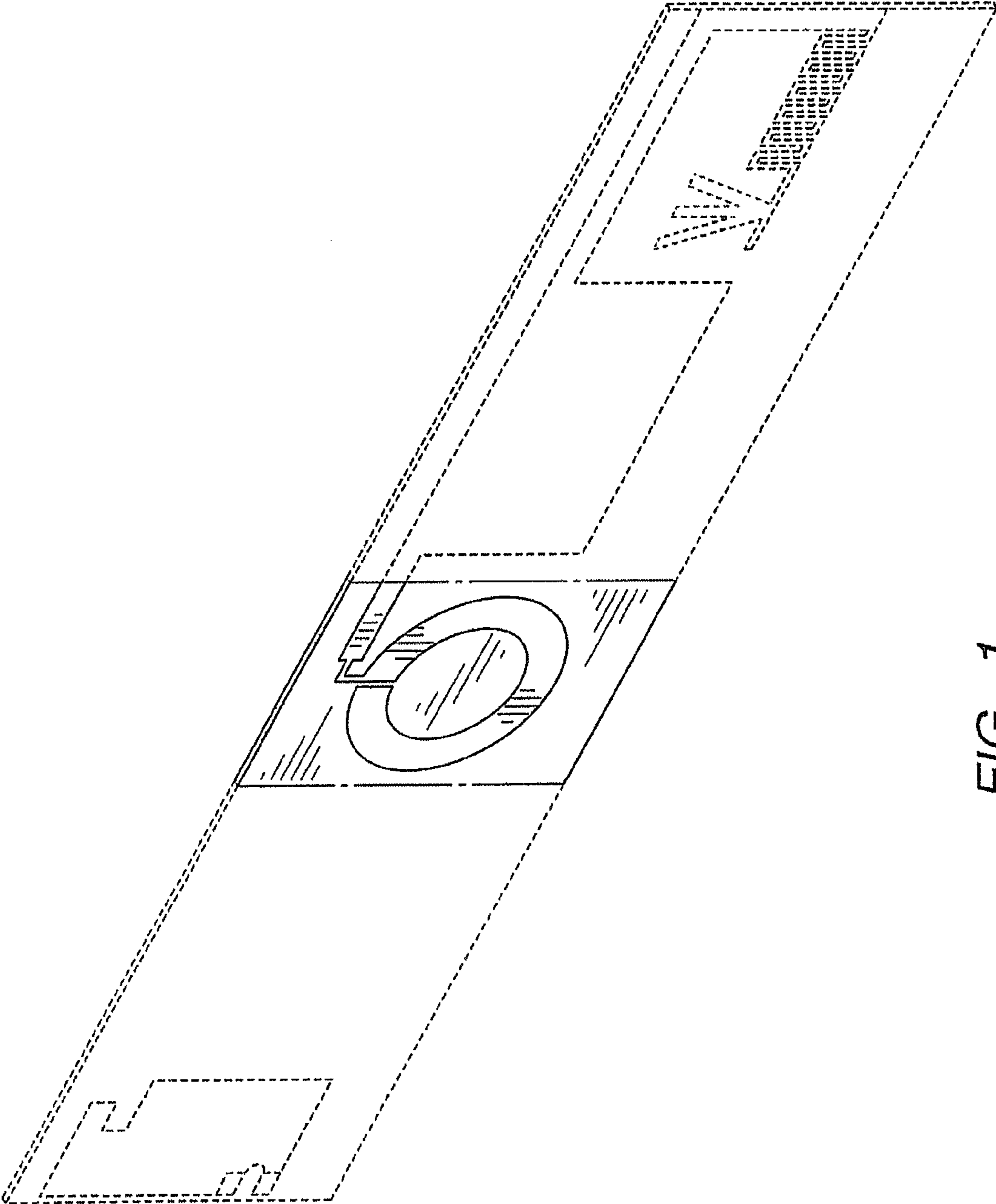


FIG. 1

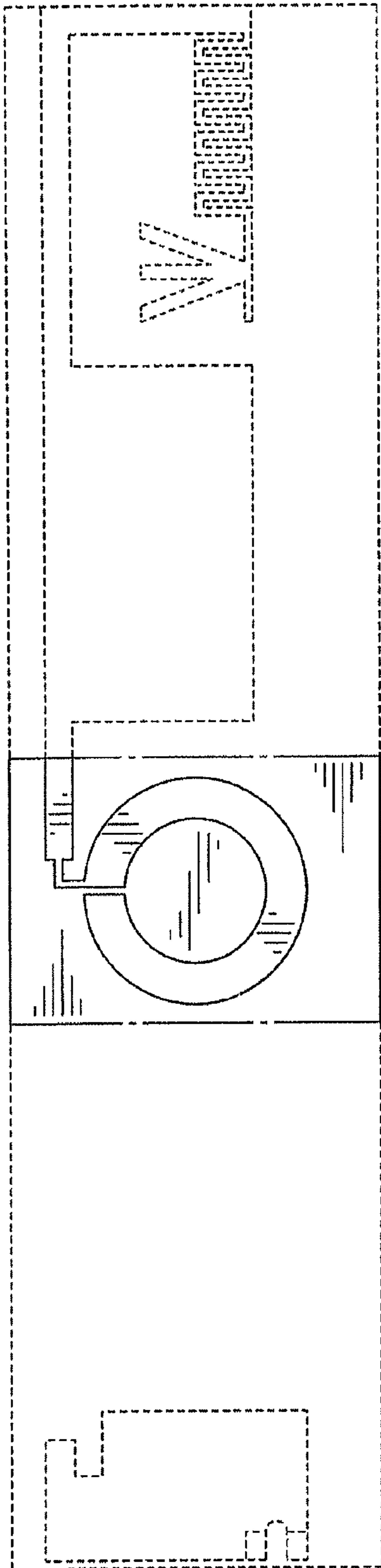


FIG. 2

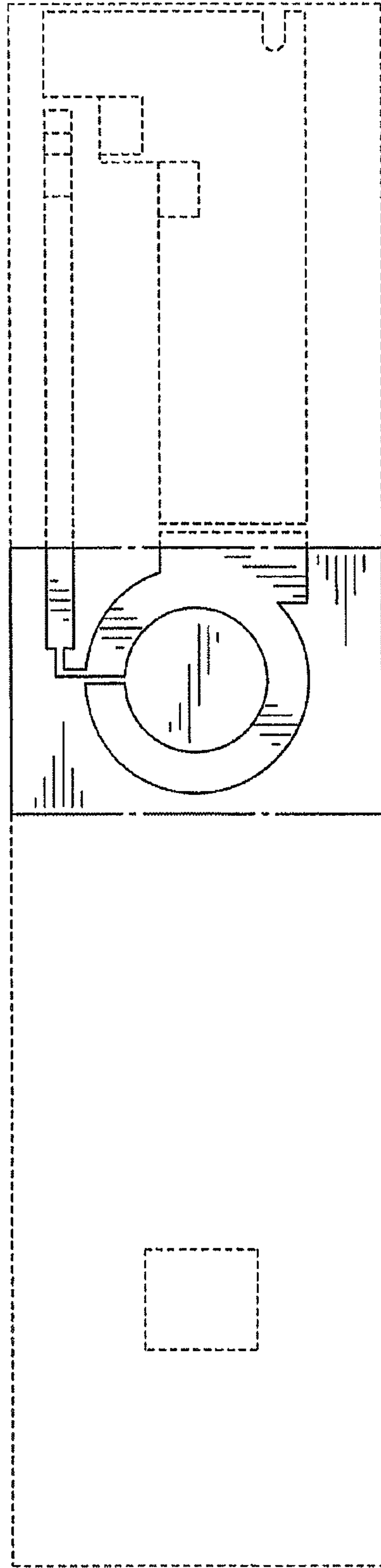


FIG. 3



FIG. 4



FIG. 5



FIG. 6



FIG. 7