



US00D591732S

(12) **United States Design Patent**
Burton

(10) **Patent No.:** **US D591,732 S**
(45) **Date of Patent:** **** May 5, 2009**

(54) **EARBUD ADAPTER**

(75) Inventor: **John E. Burton**, Ludington, MI (US)

(73) Assignee: **Burton Technologies, LLC**, Ludington, MI (US)

(**) Term: **14 Years**

(21) Appl. No.: **29/321,780**

(22) Filed: **Jul. 23, 2008**

(51) **LOC (9) Cl.** **14-01**

(52) **U.S. Cl.** **D14/223; D14/205**

(58) **Field of Classification Search** D14/142,
D14/147, 192, 240, 249, 205, 206, 223, 242;
D24/106, 173, 174; 128/864, 865, 868, 857;
181/129, 130, 132, 135, 137; 379/430, 431,
379/450; 455/90.3, 351, 575.1, 575.8

See application file for complete search history.

(56) **References Cited**

U.S. PATENT DOCUMENTS

D104,571 S *	5/1937	Kurman	D14/249
2,487,038 A *	11/1949	Baum	181/135
2,508,918 A *	5/1950	Hines, Jr.	455/351
2,619,960 A *	12/1952	Reynolds	128/868
2,670,738 A *	3/1954	Gibbons	128/864
2,939,923 A *	6/1960	Henderson	381/330
D195,322 S *	5/1963	Hill	D24/106
3,539,031 A *	11/1970	Scanlon	181/129
3,800,791 A *	4/1974	Visor	128/864
4,677,679 A	6/1987	Killion		
4,763,753 A	8/1988	Killion		
4,852,683 A	8/1989	Killion		
5,074,375 A *	12/1991	Grozil	181/135
5,113,967 A	5/1992	Killion et al.		
D372,776 S *	8/1996	Leight	D24/106
5,819,745 A *	10/1998	Mobley et al.	128/864
5,887,070 A	3/1999	Iseberg et al.		
RE38,351 E	12/2003	Iseberg et al.		

6,666,295 B2	12/2003	Killion et al.		
6,830,876 B2	12/2004	Killion et al.		
D514,094 S *	1/2006	Griffin	D14/223
7,107,993 B2 *	9/2006	Magidson	128/864
D539,415 S *	3/2007	Fleming	D24/106
D567,230 S *	4/2008	Seto	D14/223
2007/0189569 A1	8/2007	Haapapuro et al.		
2007/0240931 A1	10/2007	Killion		
2008/0187159 A1	8/2008	Blanchard		

OTHER PUBLICATIONS

iBuds, AccessoryGeeks.com, published at least as early as Mar. 22, 2005.

The Whoomp! Earbud Enhancers Review: Apple's Dirty Little Secret, posted Apr. 18, 2008.

Griffins EarJams, iLounge, Jeremy Horwitz, published Sep. 14, 2004.

TuneBuds, Belkin, posted to website May 24, 2006.

* cited by examiner

Primary Examiner—Paula Greene

(74) *Attorney, Agent, or Firm*—Warner Norcross & Judd LLP

(57) **CLAIM**

The ornamental design for an earbud adapter, as shown and described.

DESCRIPTION

FIG. 1 is a front perspective view of the earbud adapter embodying the new design;

FIG. 2 is a right side view, the left side being a mirror image thereof;

FIG. 3 is top view thereof;

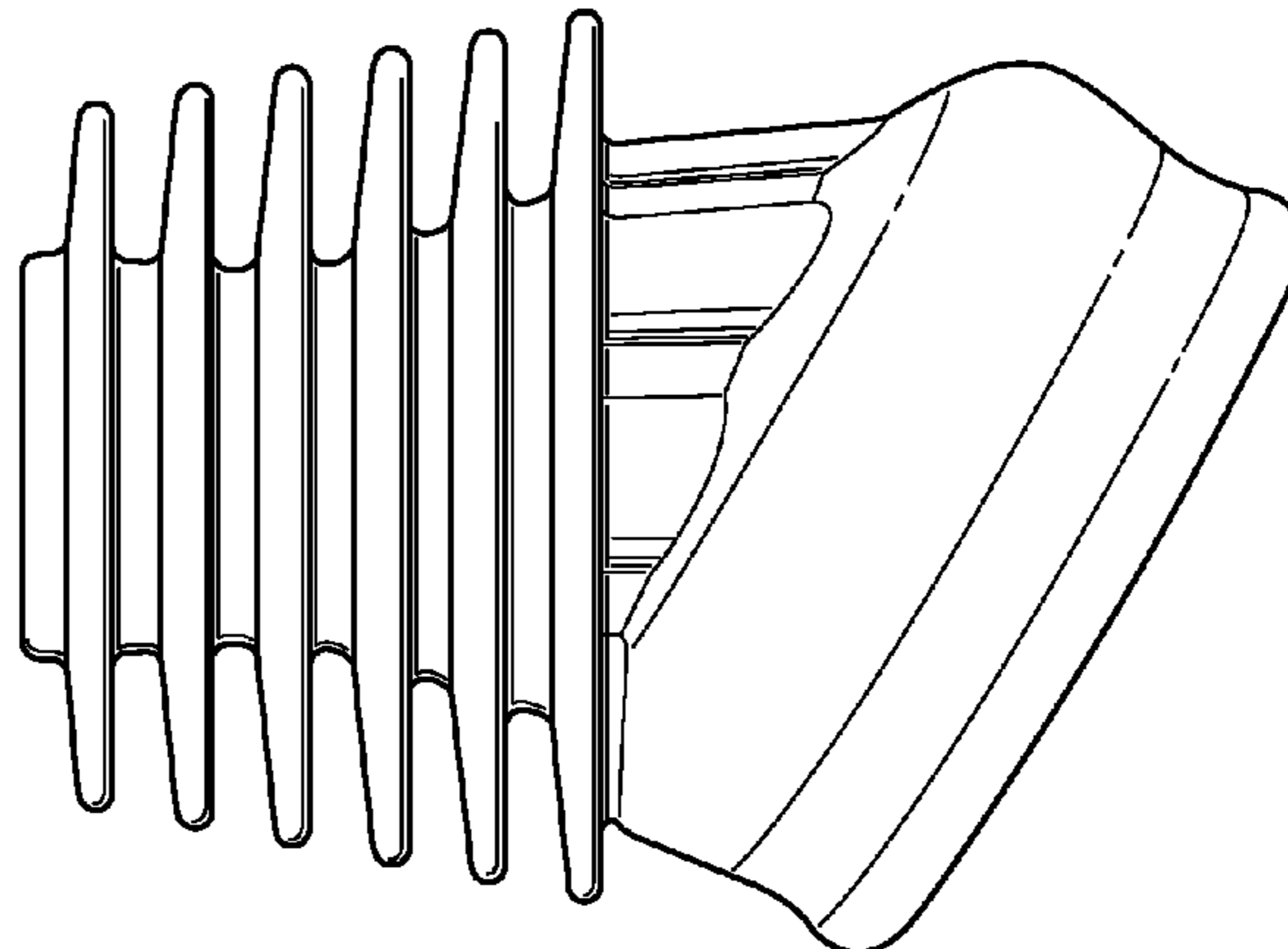
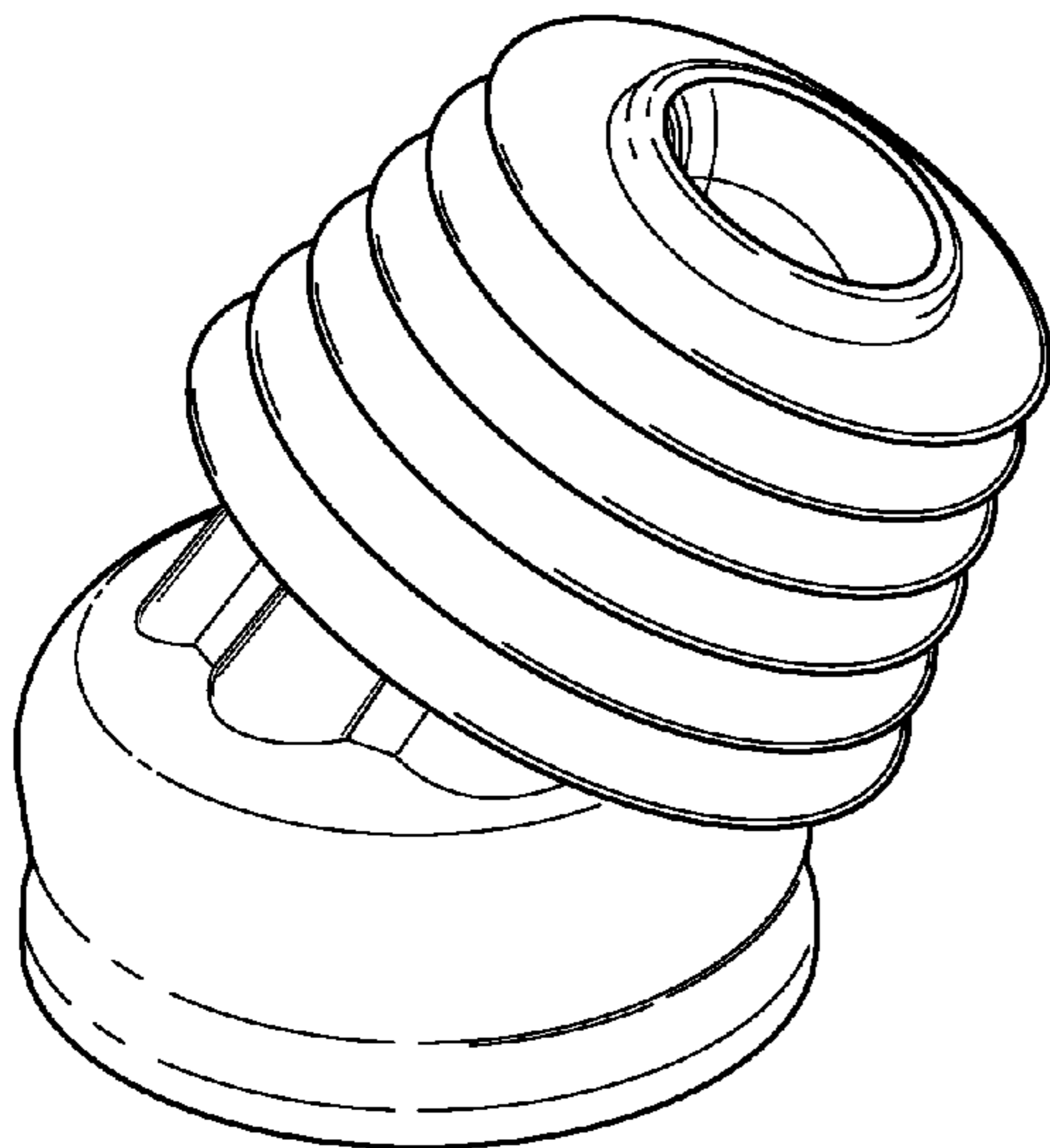
FIG. 4 is a bottom view thereof;

FIG. 5 is a front view thereof;

FIG. 6 is a rear view thereof; and,

FIG. 7 is a rear perspective view thereof.

1 Claim, 4 Drawing Sheets



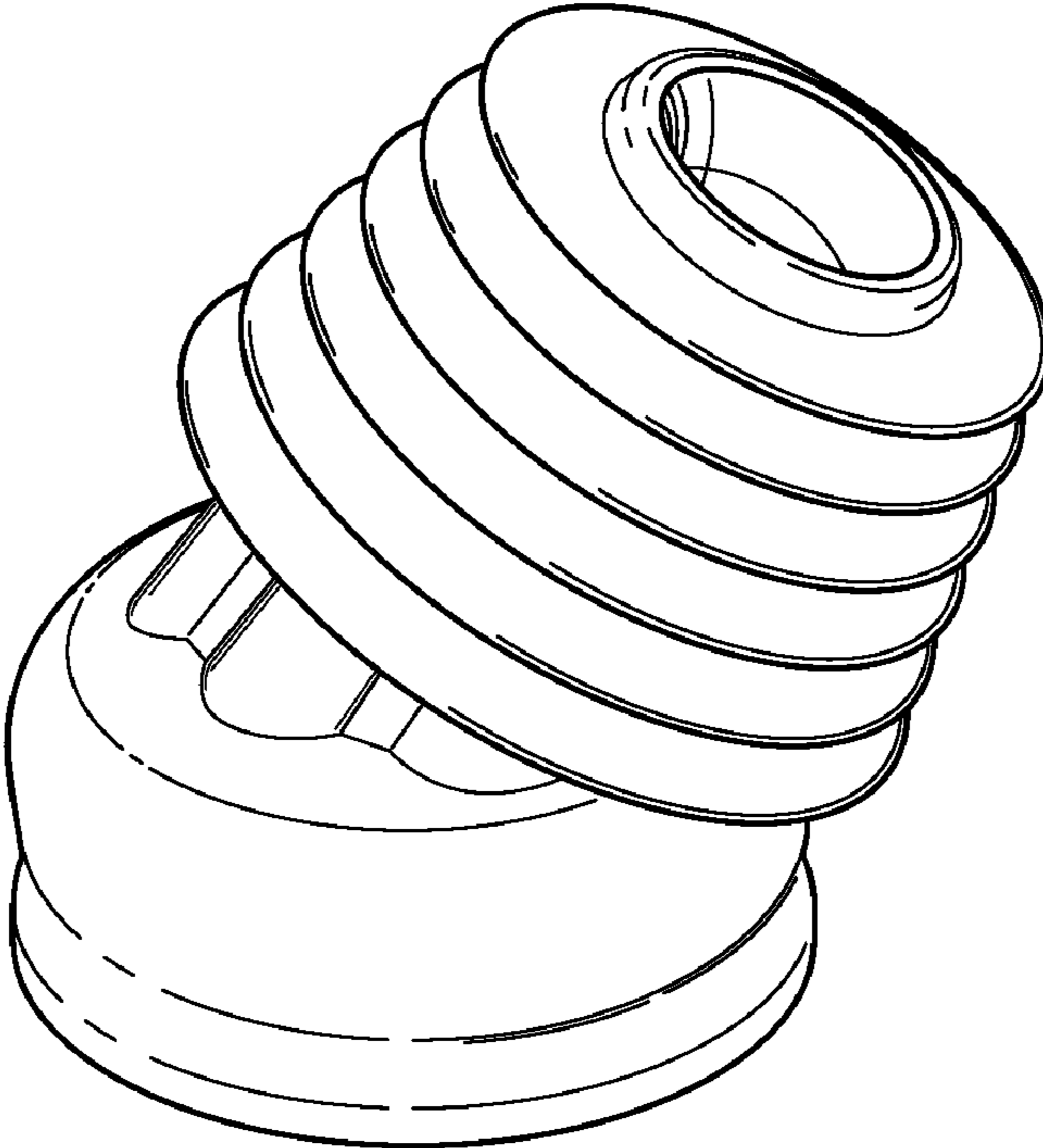


Fig. 1

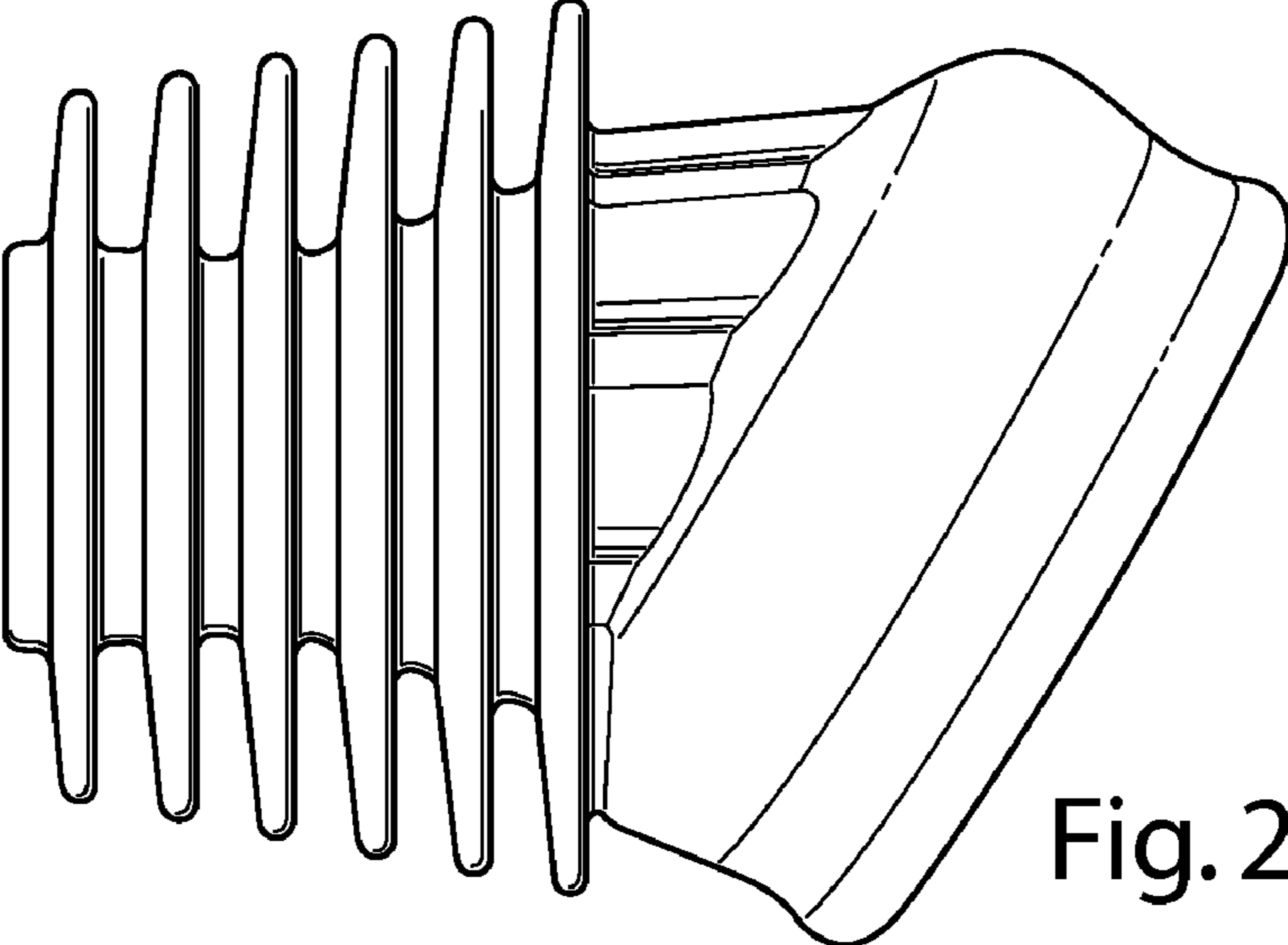


Fig. 2

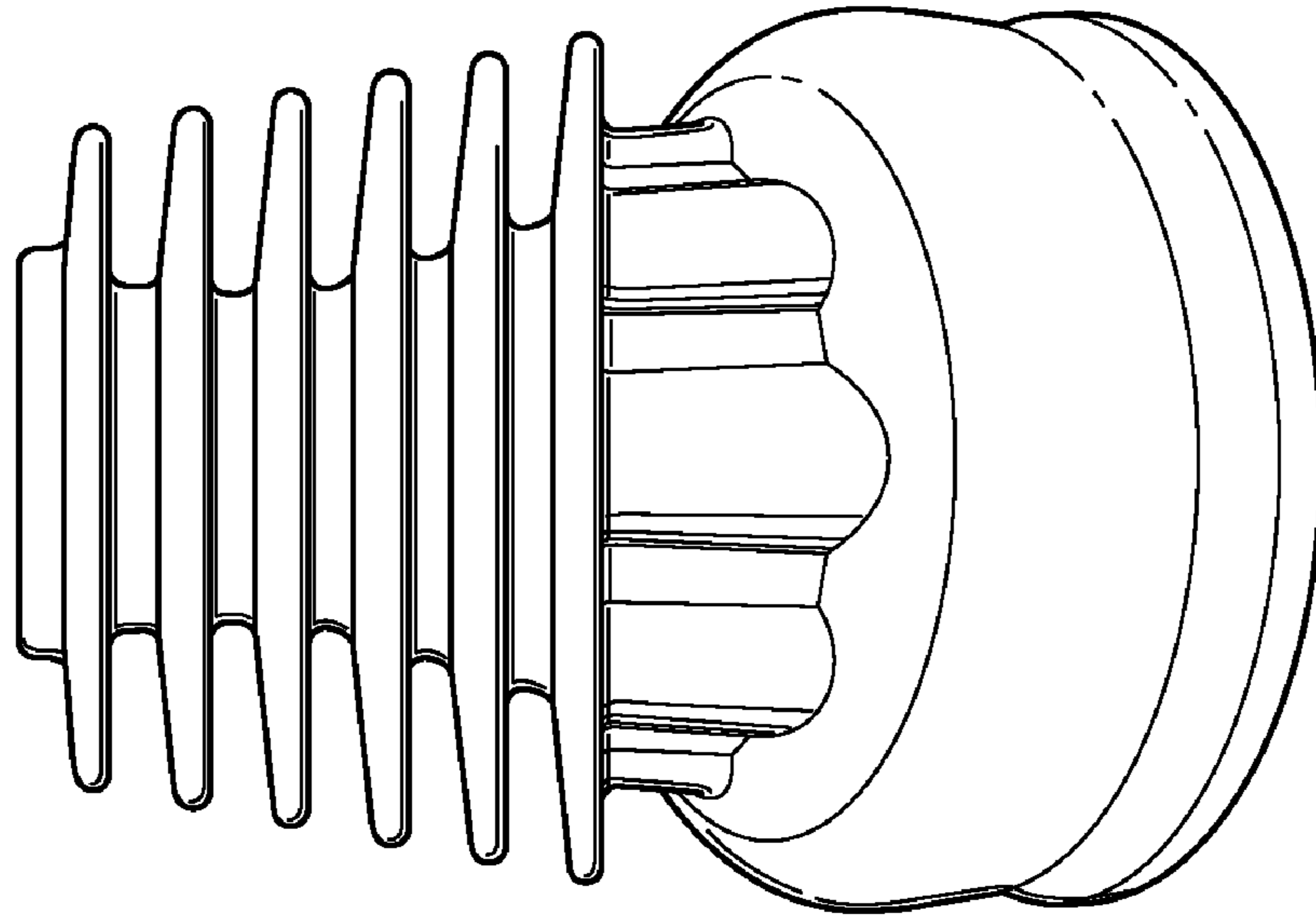


Fig. 3

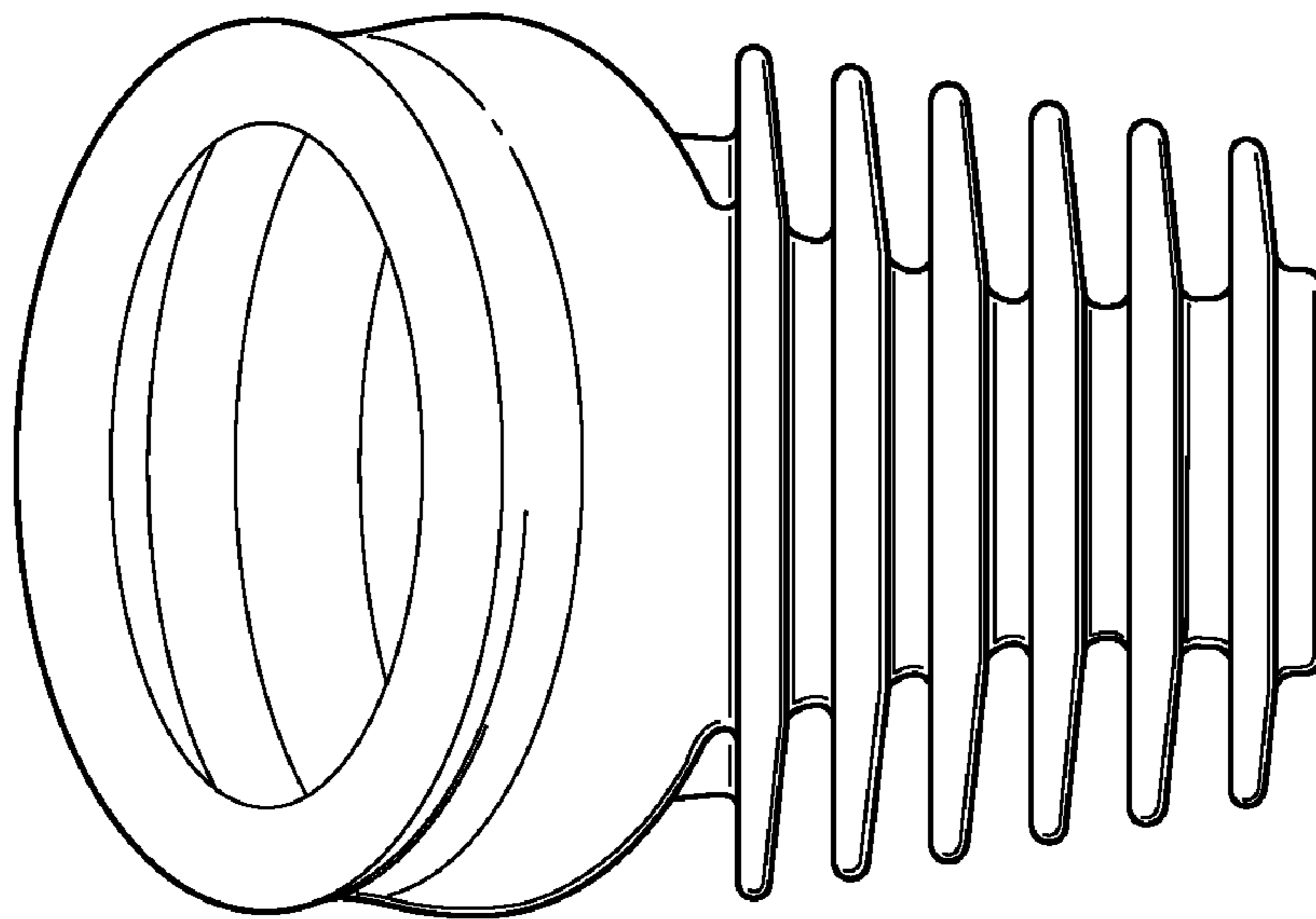


Fig. 4

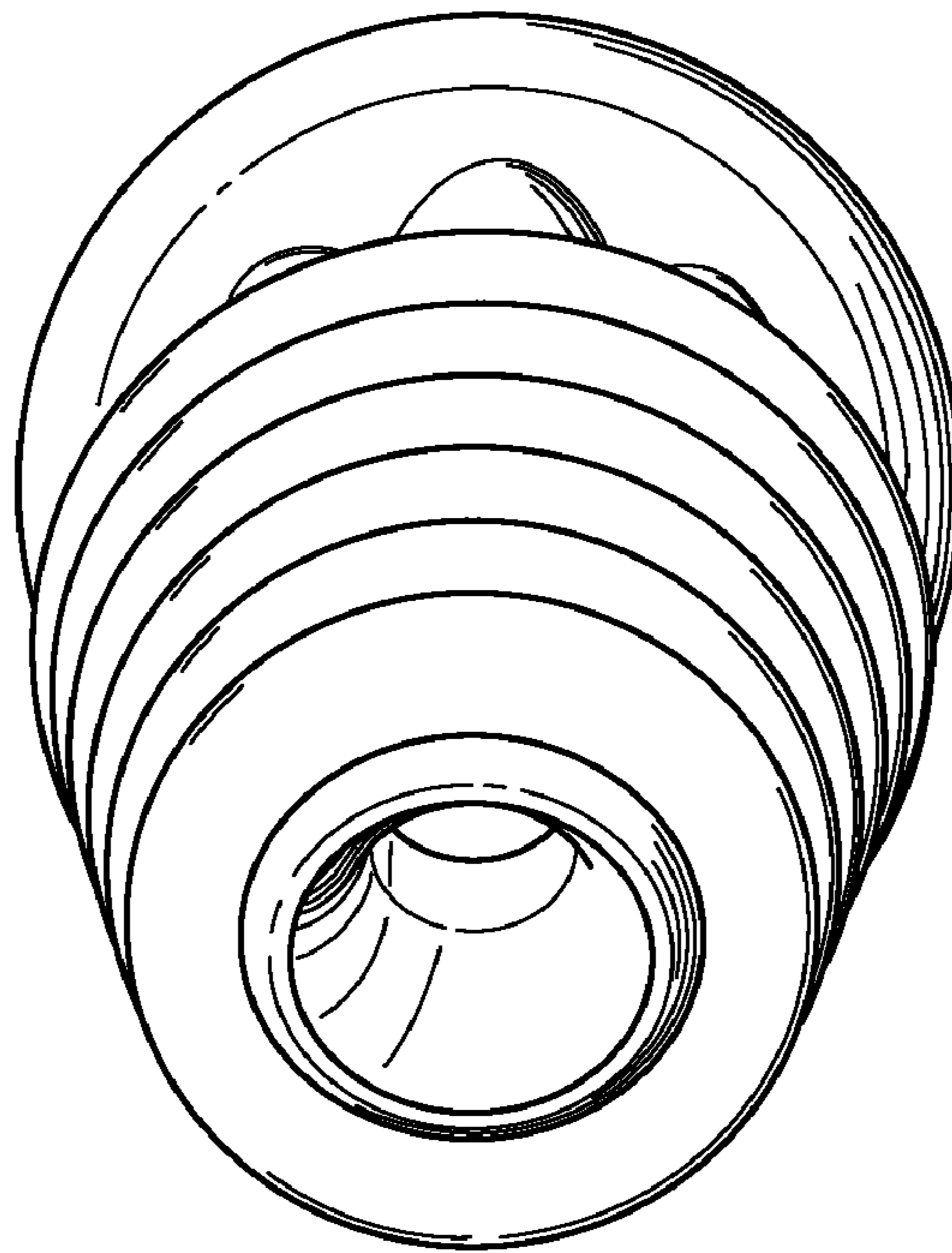


Fig. 5

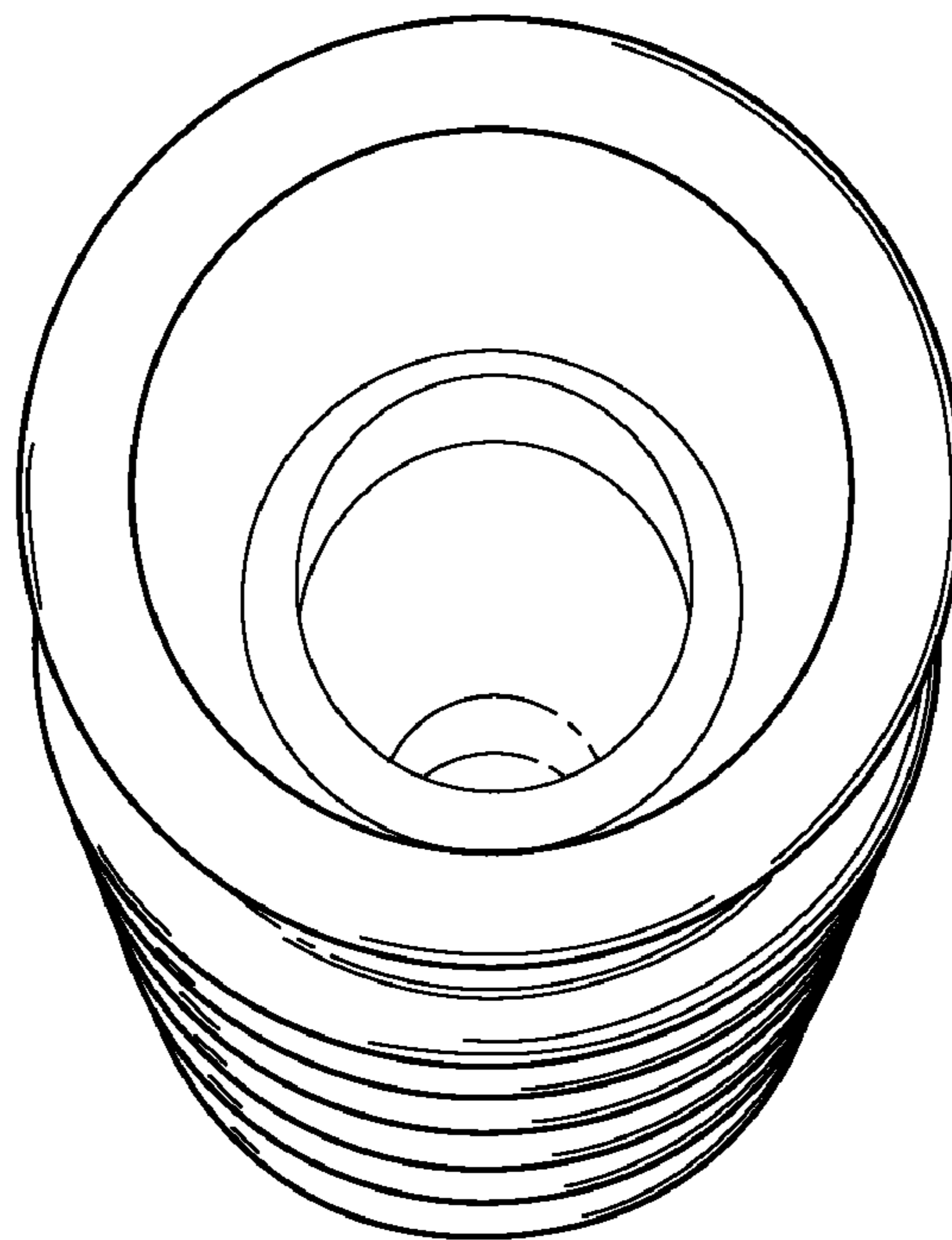


Fig. 6

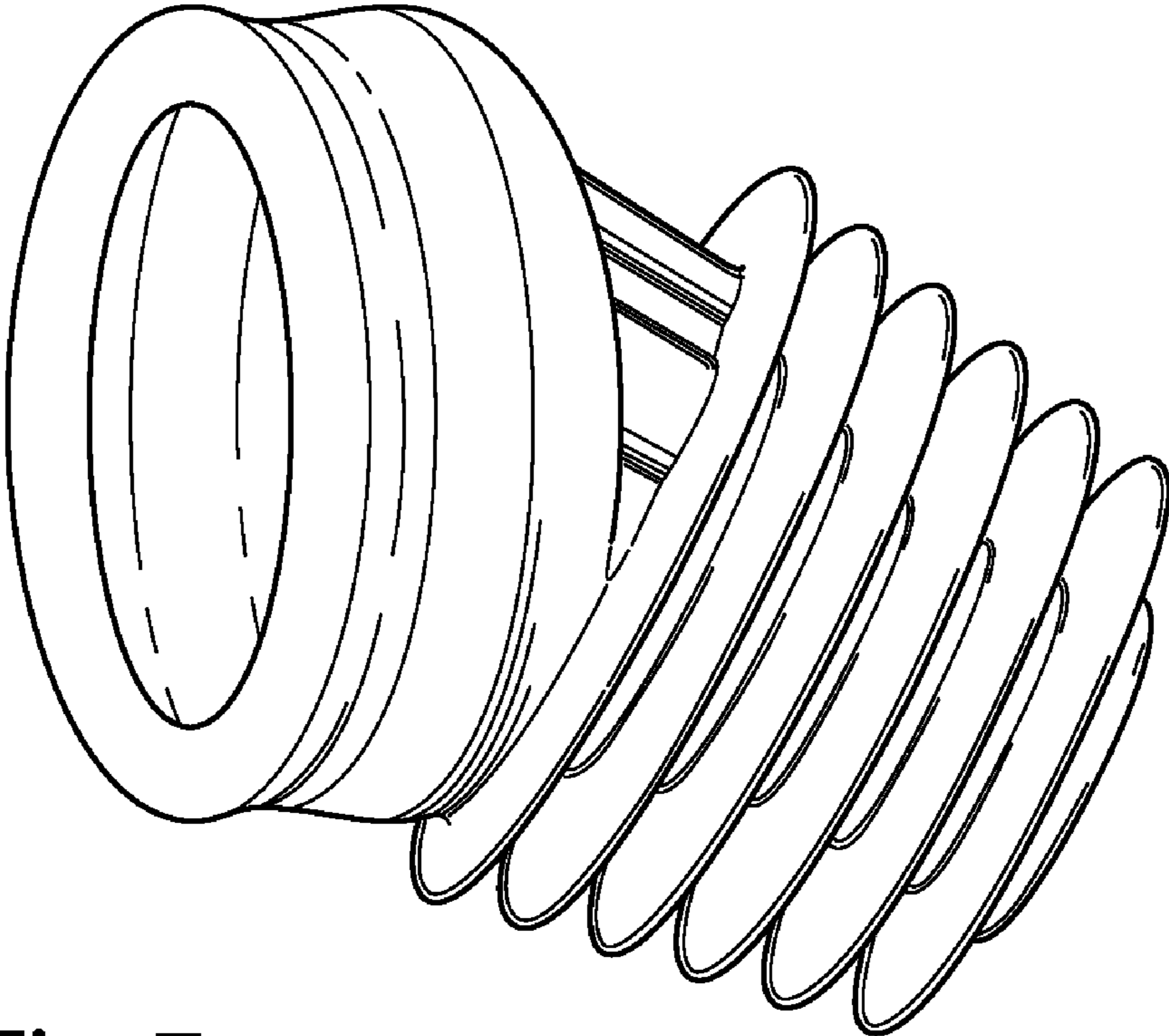


Fig. 7