



US00D591731S

(12) **United States Design Patent**
Lee et al.

(10) **Patent No.:** **US D591,731 S**
(45) **Date of Patent:** **** May 5, 2009**

(54) **REMOTE CONTROLLER**

(75) Inventors: **Noel Lee**, Las Vegas, NV (US);
Kendrew Lee, Fremont, CA (US)
(73) Assignee: **Monster LLC**, Las Vegas, NV (US)
(**) Term: **14 Years**

(21) Appl. No.: **29/248,899**

(22) Filed: **Sep. 8, 2006**

(51) **LOC (9) Cl.** **14-03**

(52) **U.S. Cl.** **D14/218**

(58) **Field of Classification Search** D14/218,
D14/455, 138; D13/168; D21/566; D10/104,
D10/106; 345/169; 348/14.05, 114, 211.99,
348/734; 340/825.24, 825.69; 341/22; 455/92,
455/95, 128, 151.1–151.4, 352, 355, FOR. 121;
700/65

See application file for complete search history.

(56) **References Cited**

U.S. PATENT DOCUMENTS

5,694,123	A	12/1997	Selker et al.	
5,870,082	A	2/1999	Selker et al.	
6,184,865	B1	2/2001	Zimmerman et al.	
6,271,834	B1	8/2001	May et al.	
D450,675	S *	11/2001	Kim et al.	D14/138 R
6,529,186	B1	3/2003	Thayer	
D504,417	S *	4/2005	Reza et al.	D14/218
D515,041	S *	2/2006	Yun et al.	D13/168
D519,494	S *	4/2006	An	D14/218
D529,016	S *	9/2006	Rose et al.	D14/138 R
D534,900	S *	1/2007	Weitgasser et al.	D14/218
D543,196	S *	5/2007	Krzyzanowski et al.	D14/218

* cited by examiner

Primary Examiner—T. Chase Nelson
Assistant Examiner—John Windmuller

(74) *Attorney, Agent, or Firm*—LaRiviere, Grubman & Payne, LLP

(57) **CLAIM**

The ornamental design for a remote controller, as shown and described.

DESCRIPTION

A portion of the disclosure of this patent document contains material which is subject to copyright protection. The copyright owner has no objection to the facsimile reproduction by any one of the patent document or the patent disclosure, as it appears in the Patent and Trademark Office patent file or records, but otherwise reserves all copyright rights whatsoever.

FIG. 1 is a perspective view of a remote controller, in accordance with the present invention.

FIG. 2 is a top view thereof;

FIG. 3 is a bottom view thereof;

FIG. 4 is a side view of thereof;

FIG. 5 is an opposing side view thereof;

FIG. 6 is an end view thereof;

FIG. 7 is an opposing end view thereof;

FIG. 8 is a perspective view of a second embodiment of a remote controller, in accordance with the present invention.

FIG. 9 is a top view thereof;

FIG. 10 is a bottom view thereof;

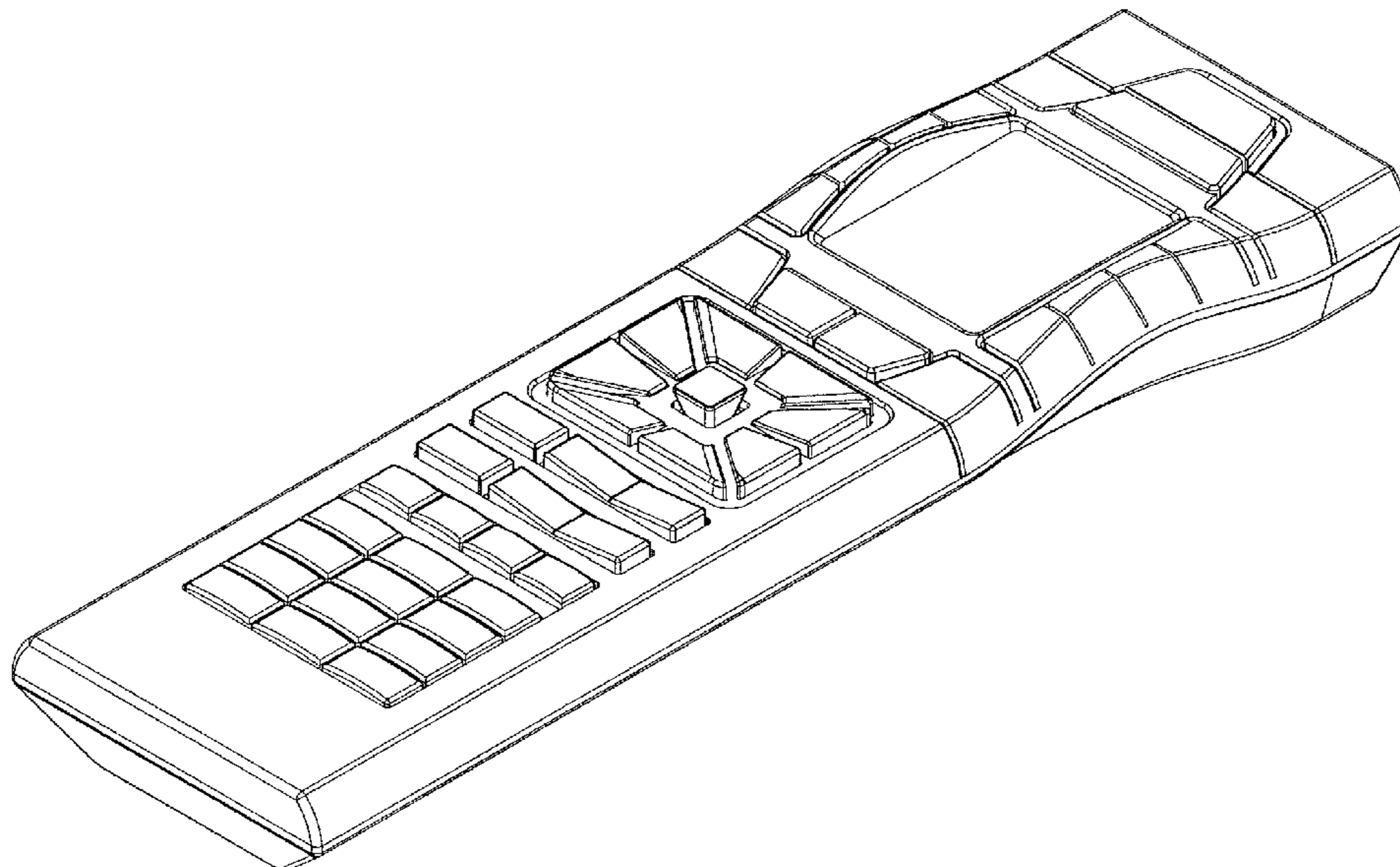
FIG. 11 is a side view thereof;

FIG. 12 is an opposing side view thereof;

FIG. 13 is an end view thereof; and,

FIG. 14 is an opposing end thereof.

1 Claim, 8 Drawing Sheets



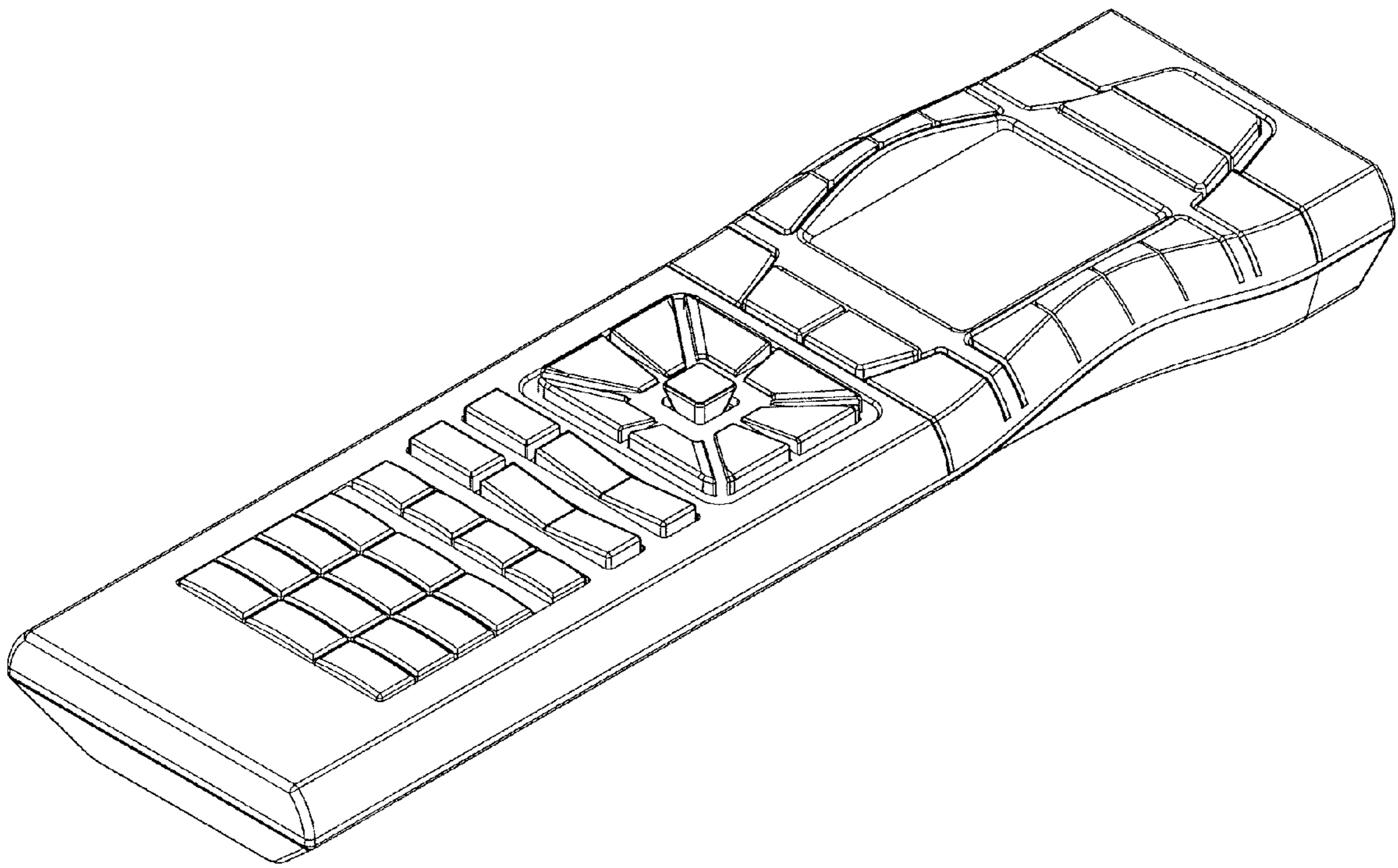


Figure 1

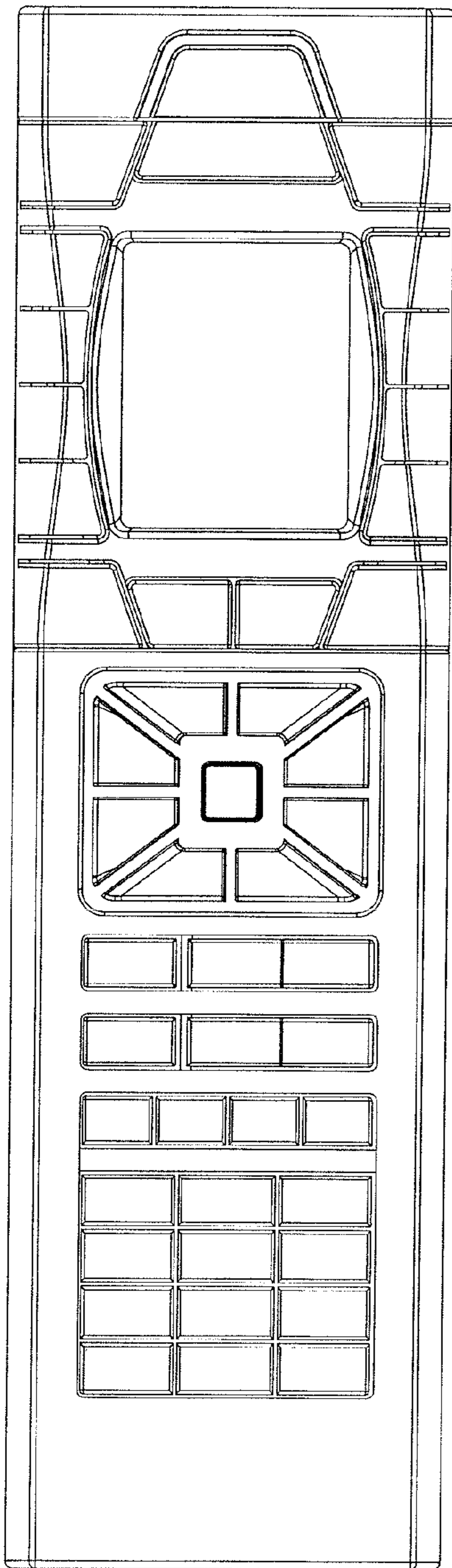


Figure 2

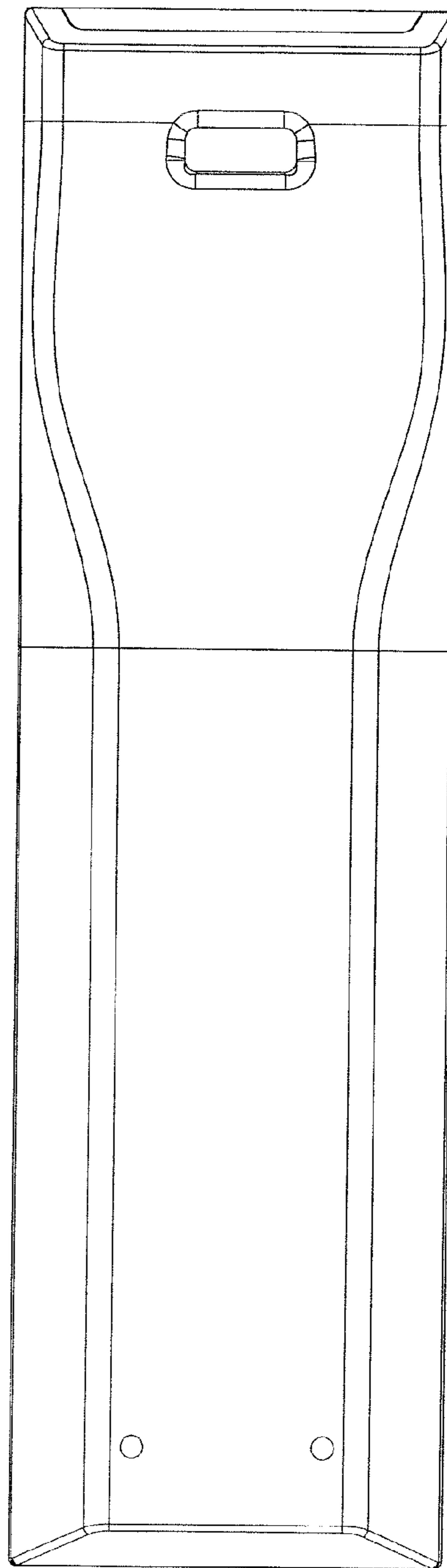


Figure 3

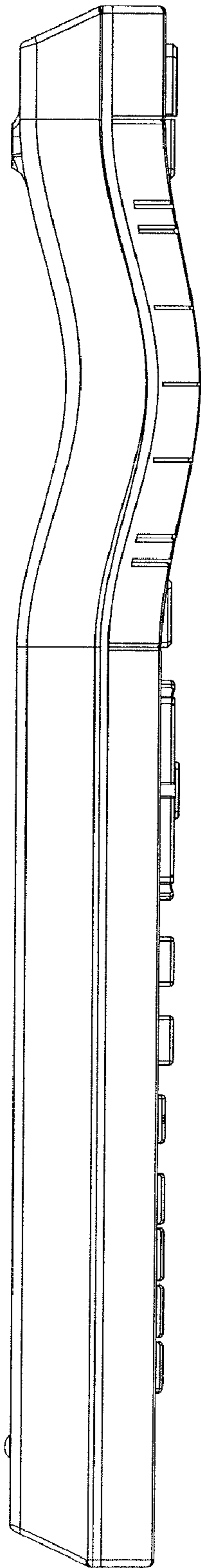


Figure 4

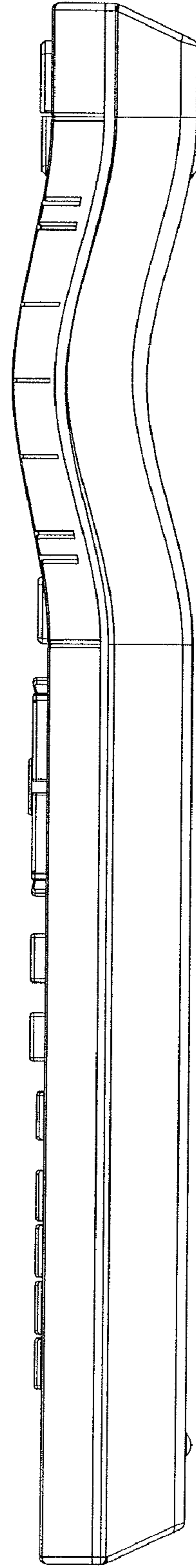


Figure 5

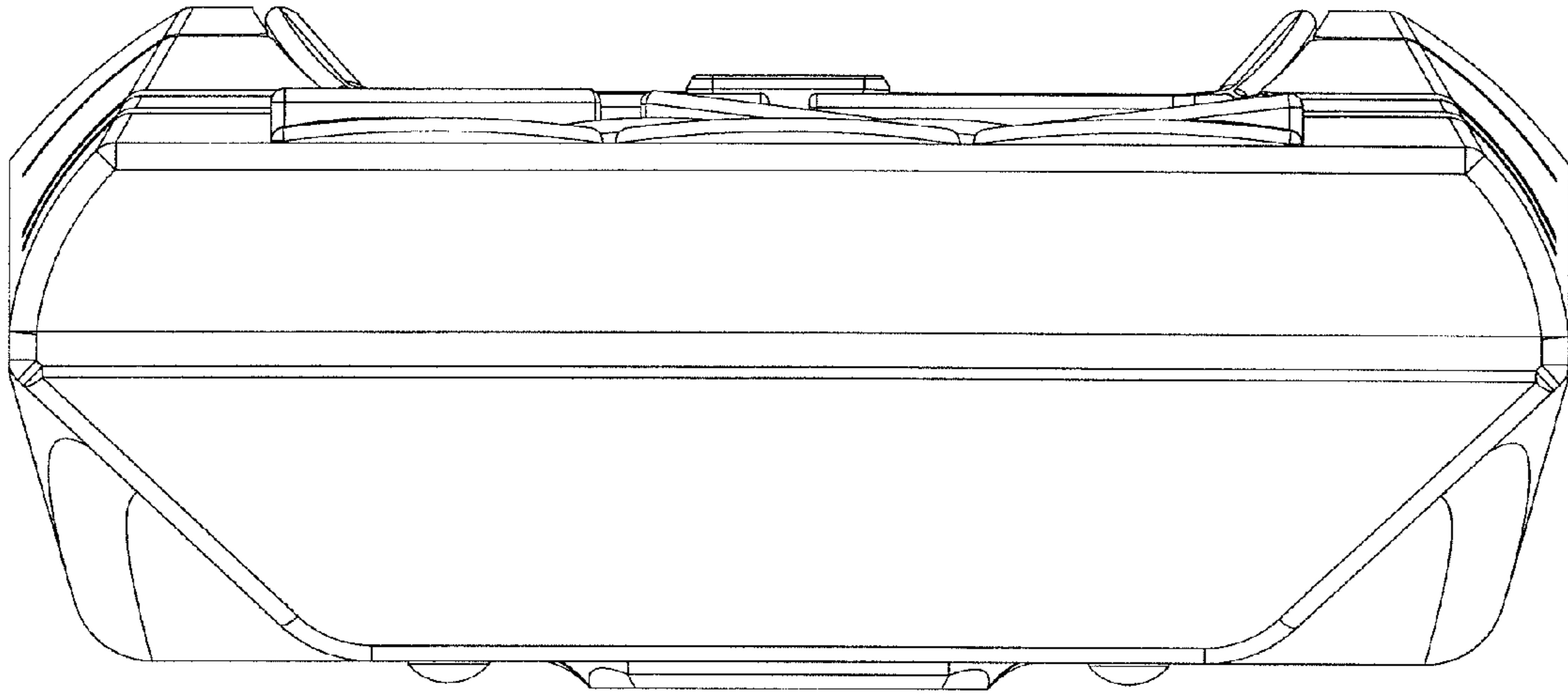


Figure 6

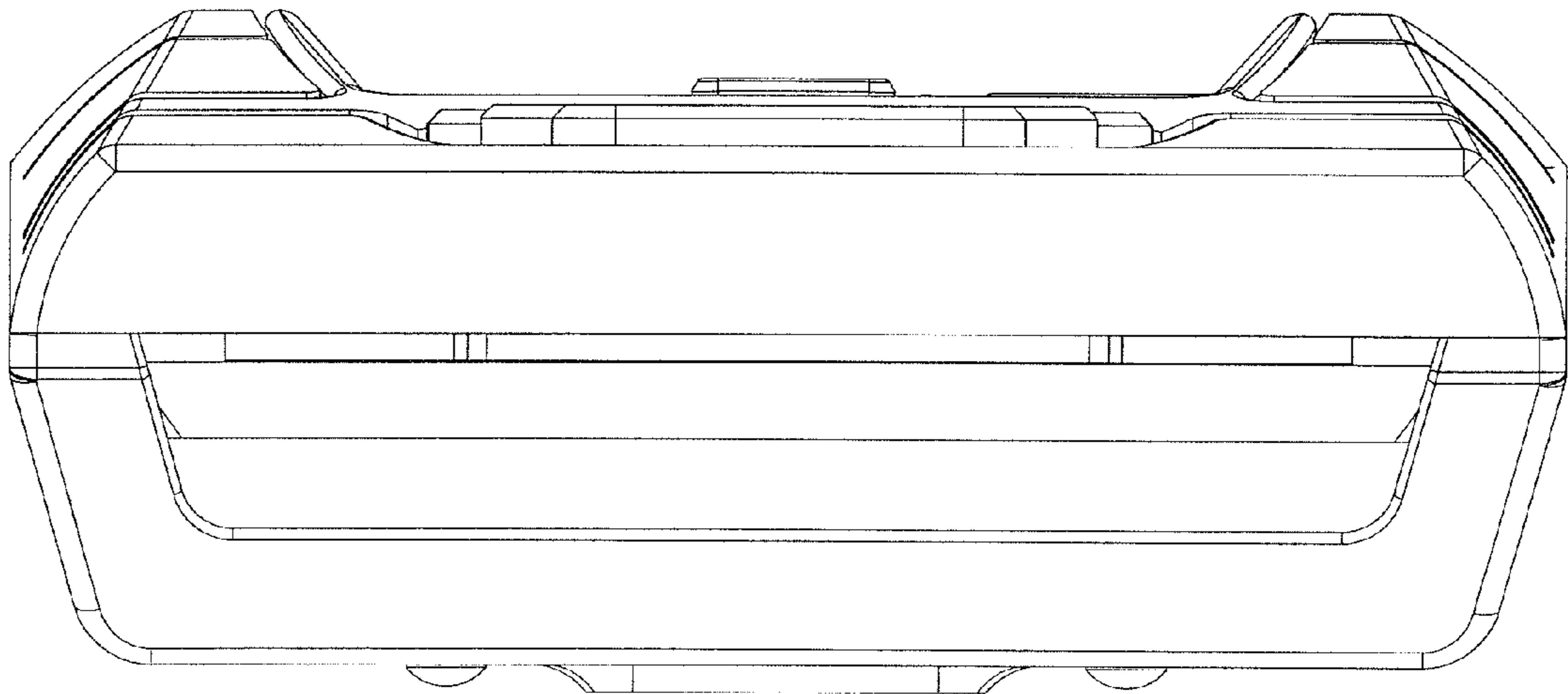


Figure 7

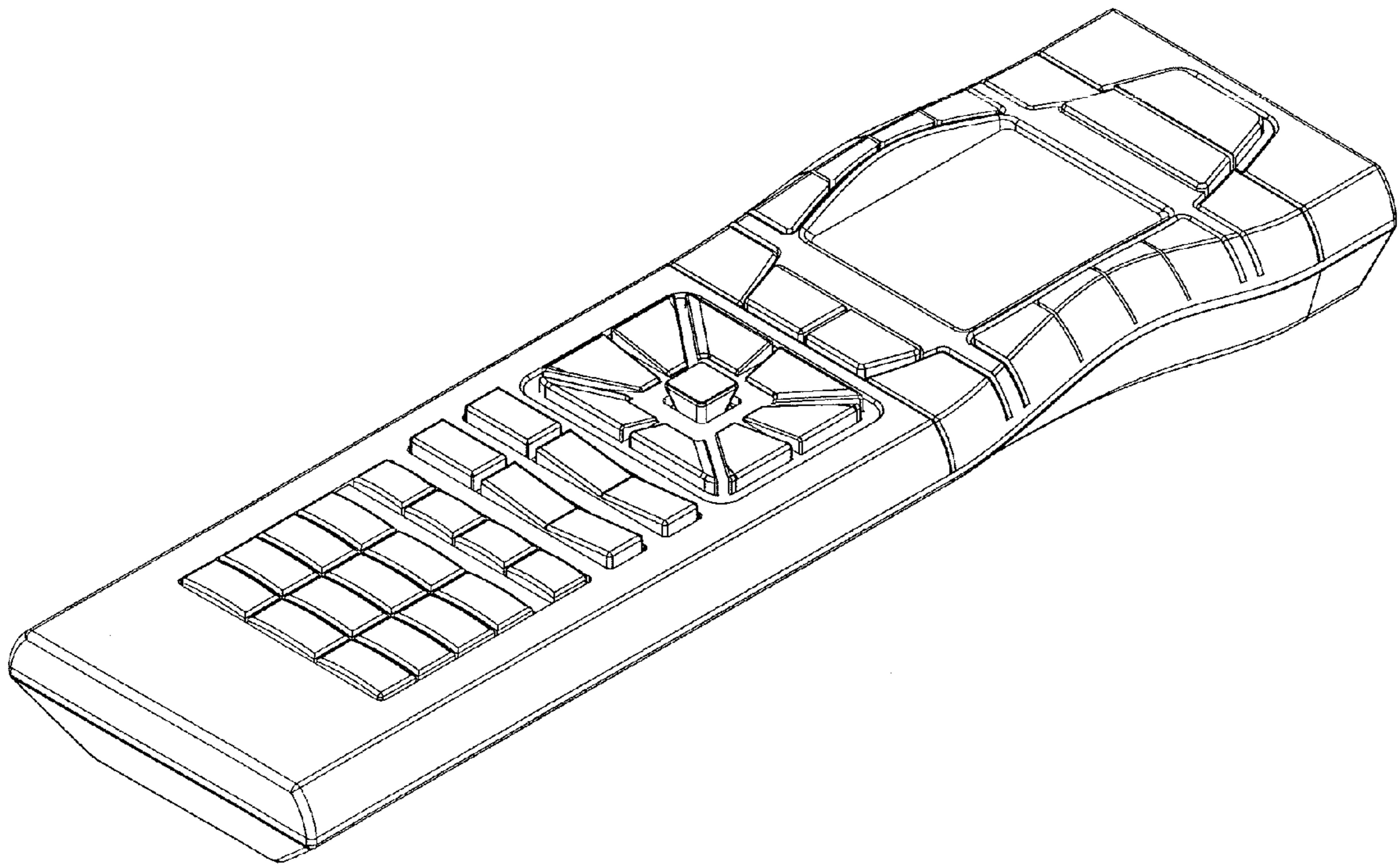


Figure 8

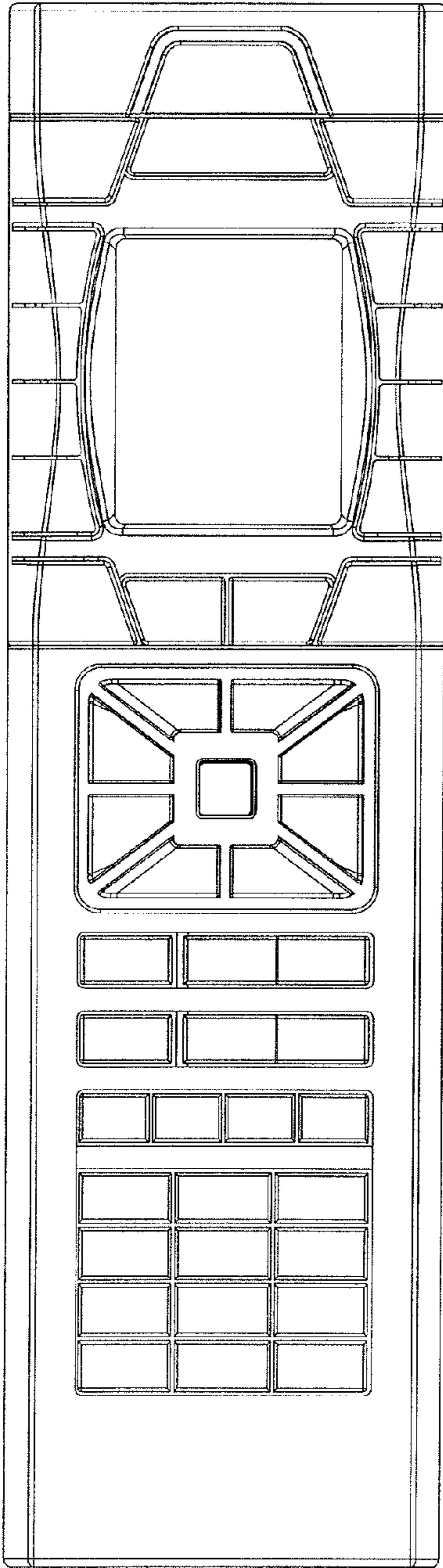


Figure 9

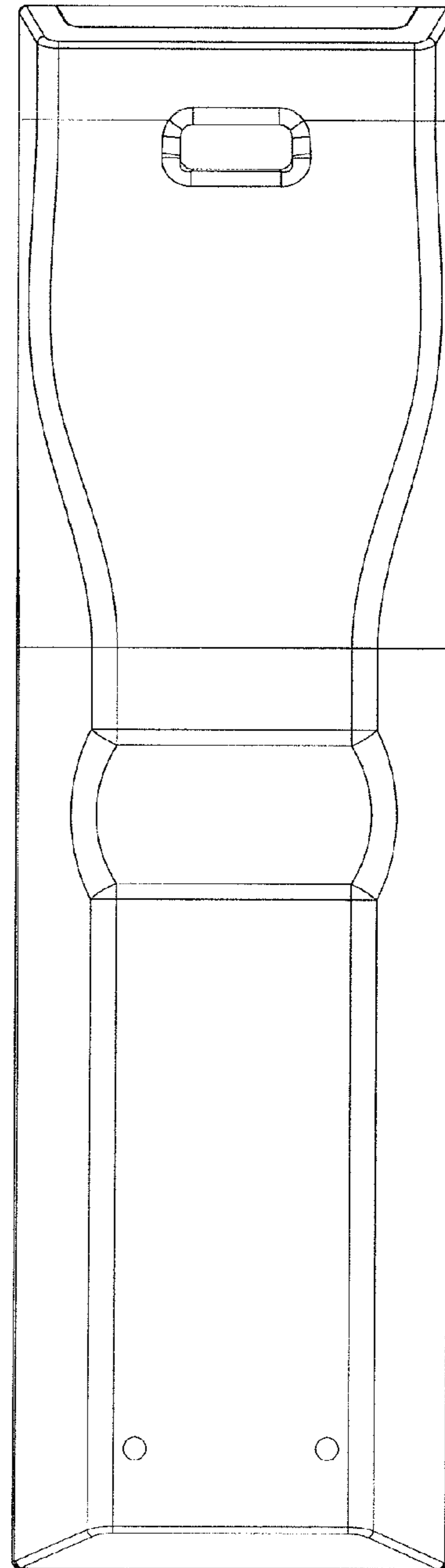


Figure 10

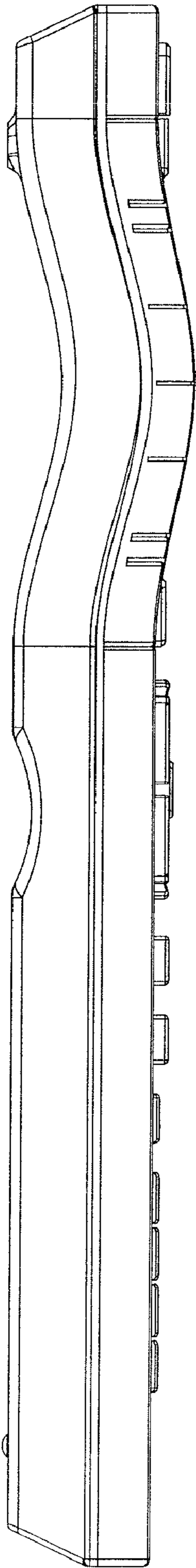


Figure 11

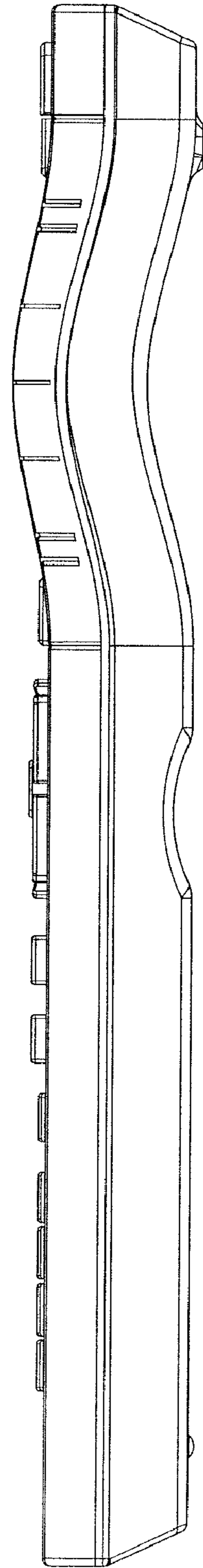


Figure 12

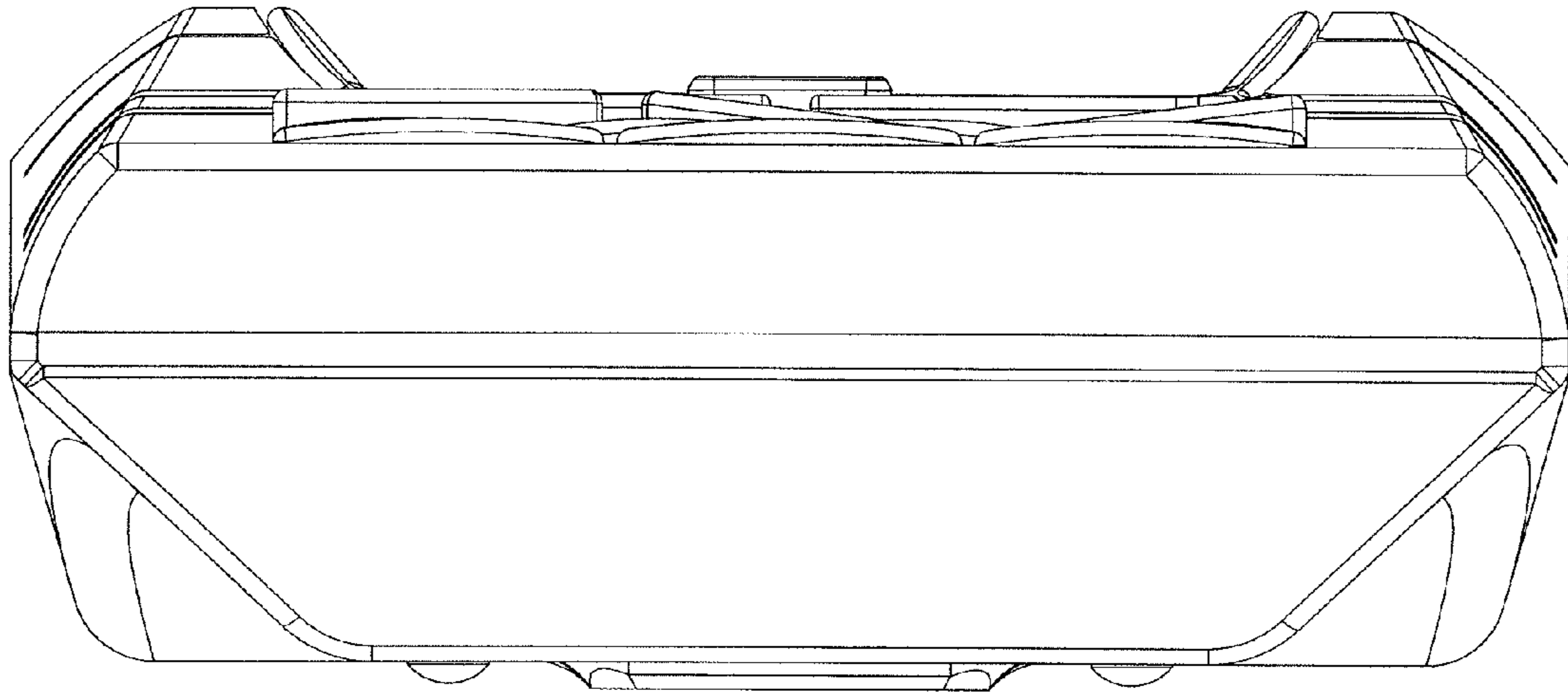


Figure 13

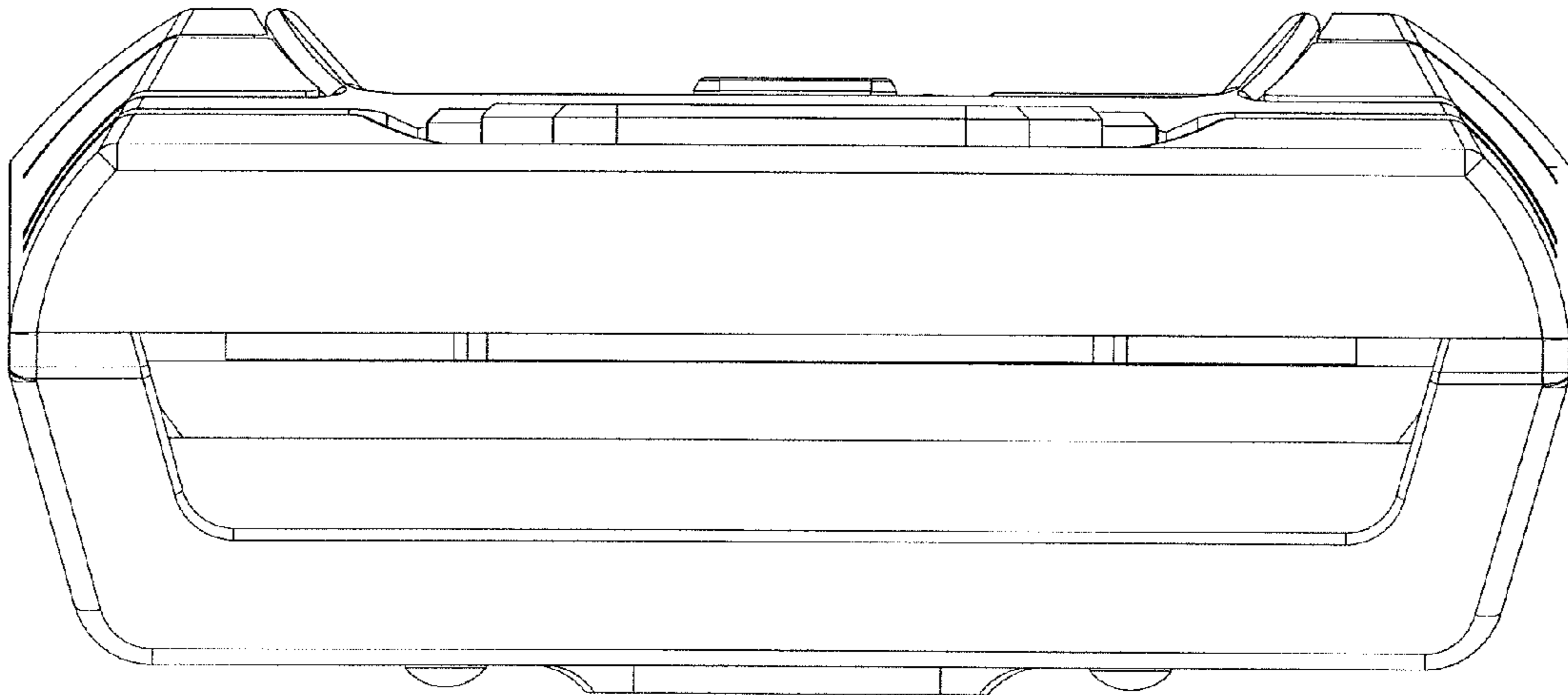


Figure 14