

US00D591730S

(12) **United States Design Patent**
Pantaleone

(10) **Patent No.:** **US D591,730 S**

(45) **Date of Patent:** **** May 5, 2009**

(54) **SPEAKER CONE**

(75) Inventor: **Pietro Pantaleone**, Potenza Picena (IT)

(73) Assignee: **Elettromedia Srl**, Potenza Picena (IT)

(**) Term: **14 Years**

(21) Appl. No.: **29/302,976**

(22) Filed: **Jan. 29, 2008**

(51) **LOC (9) Cl.** **14-01**

(52) **U.S. Cl.** **D14/216**

(58) **Field of Classification Search** D14/204,
D14/210–216, 172; 181/143–144, 147–148,
181/150–153, 157–159, 198–199; 381/300–303,
381/306, 332–333, 336, 345, 361–364, 386–388
See application file for complete search history.

(56) **References Cited**

U.S. PATENT DOCUMENTS

D74,615 S *	3/1928	Lyons	D14/211
D83,705 S *	3/1931	Stevens	D14/211
2,873,812 A *	2/1959	Avedon	181/159
D211,180 S *	5/1968	Boldt	D14/212
D218,614 S *	9/1970	Yurdin	D14/212
5,115,882 A *	5/1992	Woody	181/144

D359,958 S *	7/1995	Frodelius	D14/208
5,886,304 A *	3/1999	Schlenzig et al.	181/155
5,995,634 A *	11/1999	Zwolski	381/388
6,345,685 B1 *	2/2002	Wells et al.	181/153
D502,168 S *	2/2005	Hill	D14/211
D506,991 S *	7/2005	Chen	D14/204

* cited by examiner

Primary Examiner—Nanda Bondade

(74) *Attorney, Agent, or Firm*—Amster, Rothstein & Ebenstein

(57) **CLAIM**

The ornamental design for a speaker cone, as shown and described.

DESCRIPTION

FIG. 1 is a top perspective view of a speaker cone showing my new design;

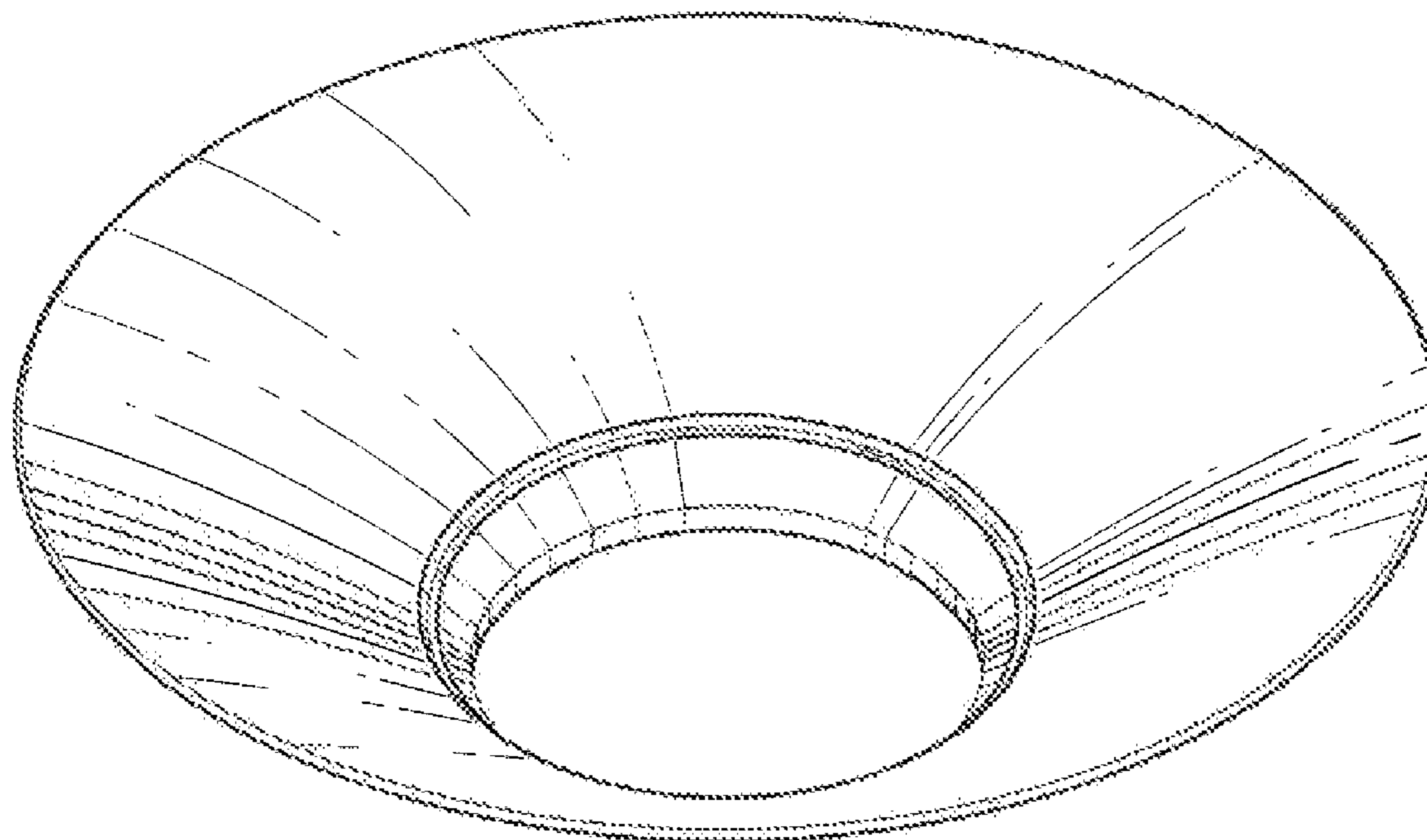
FIG. 2 is a top plan view thereof;

FIG. 3 is a bottom perspective view thereof;

FIG. 4 is a bottom plan view thereof; and,

FIG. 5 is a side elevational view thereof, the opposite side being a mirror image.

1 Claim, 2 Drawing Sheets



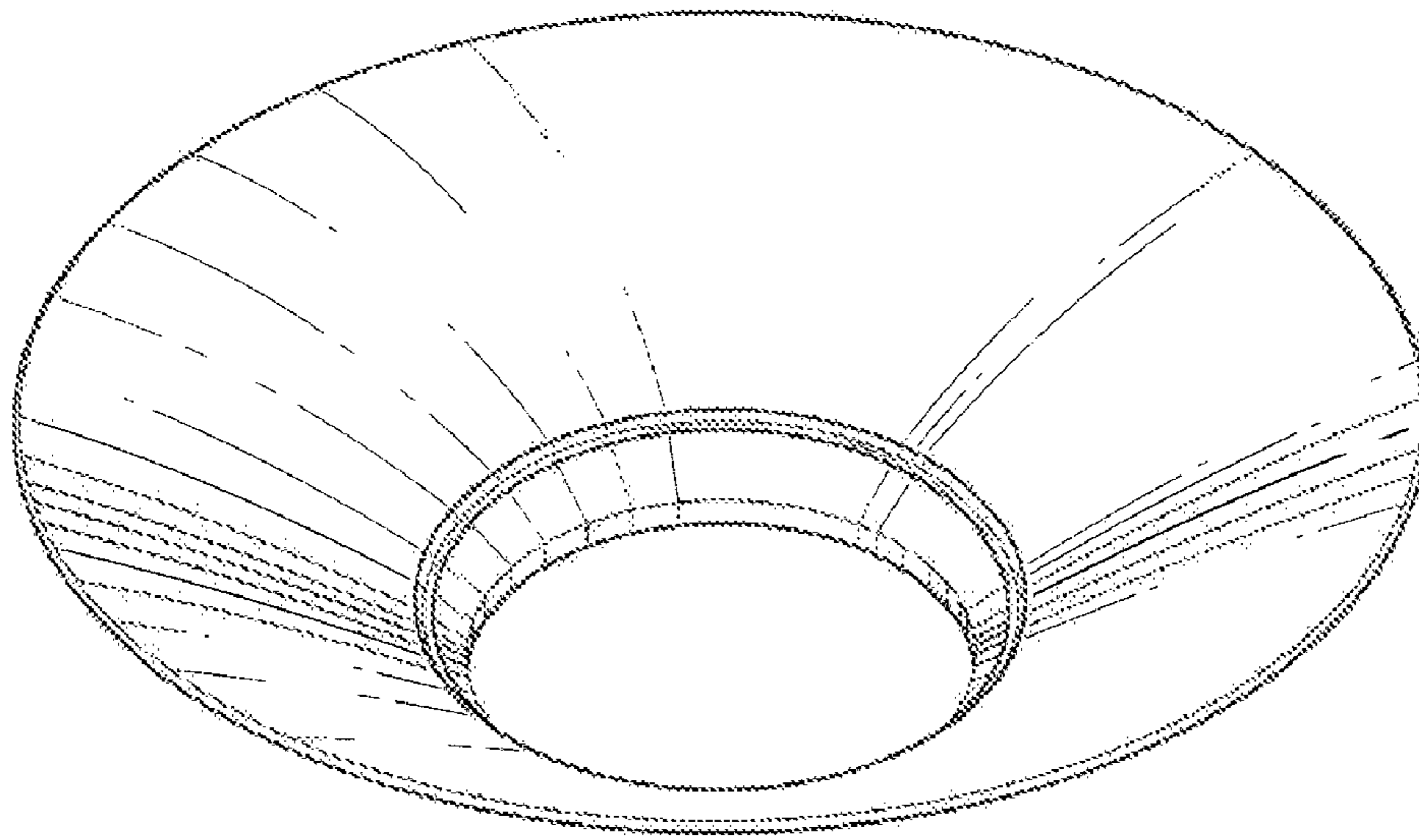


FIG. 1

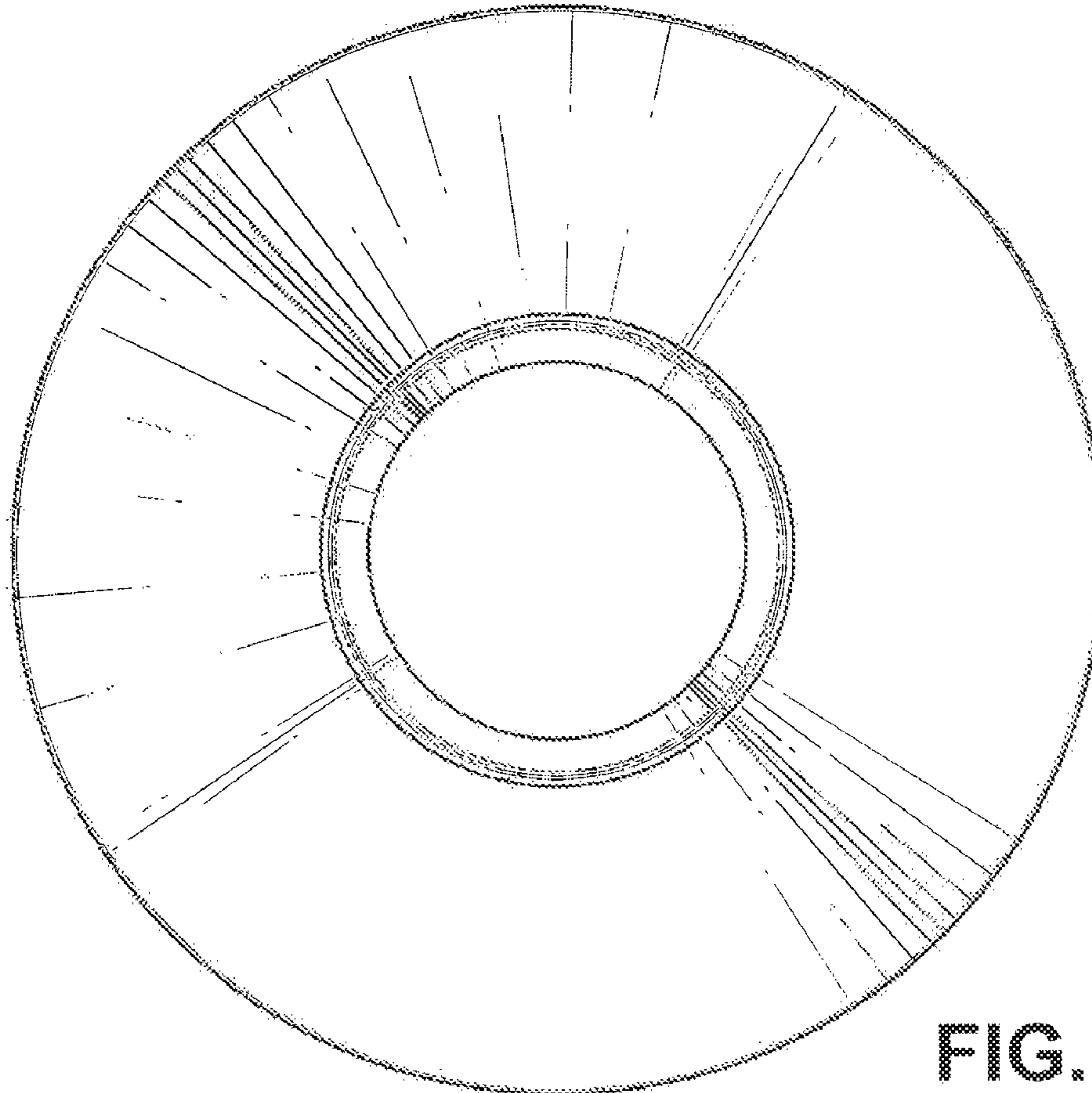


FIG. 2

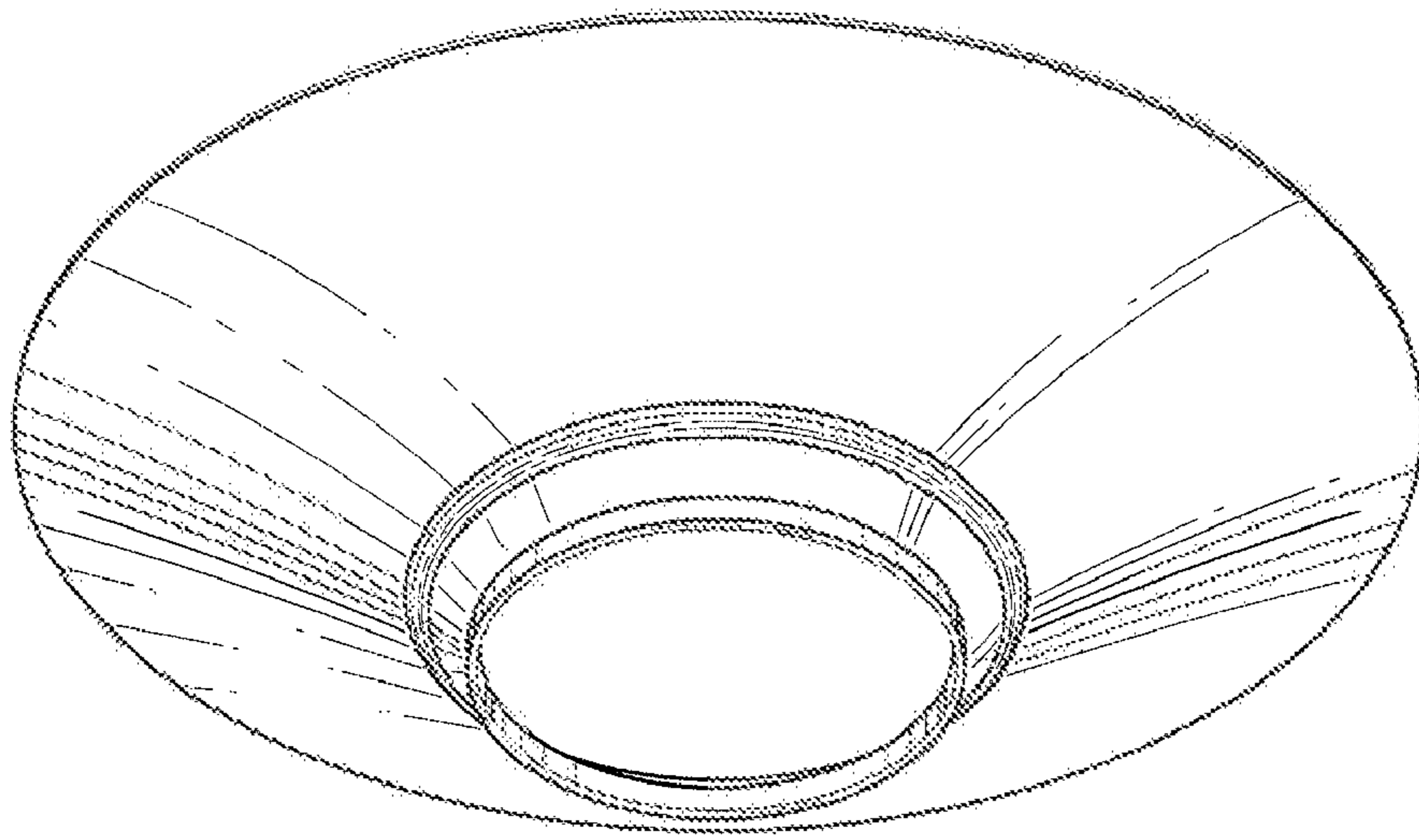


FIG. 3

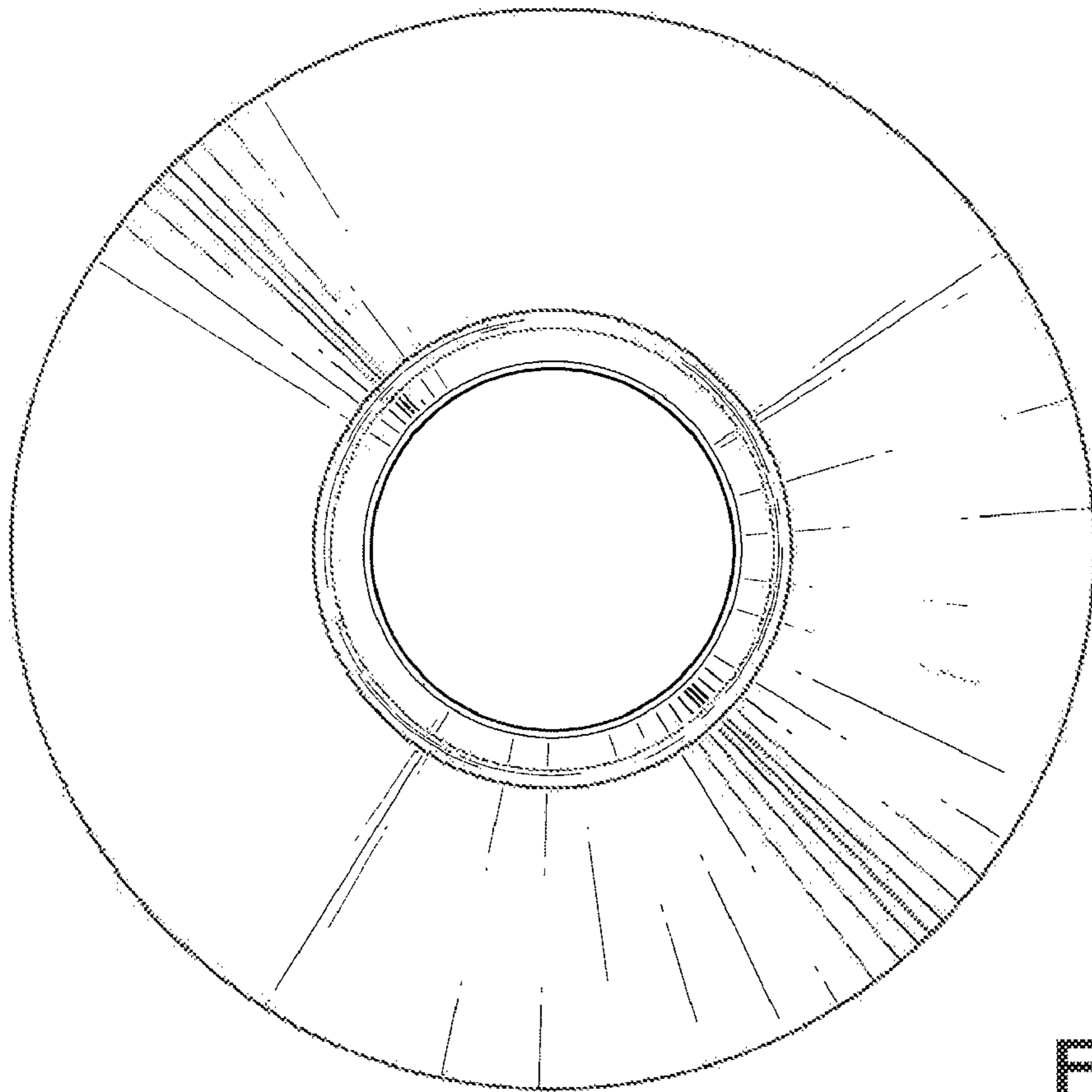


FIG. 4

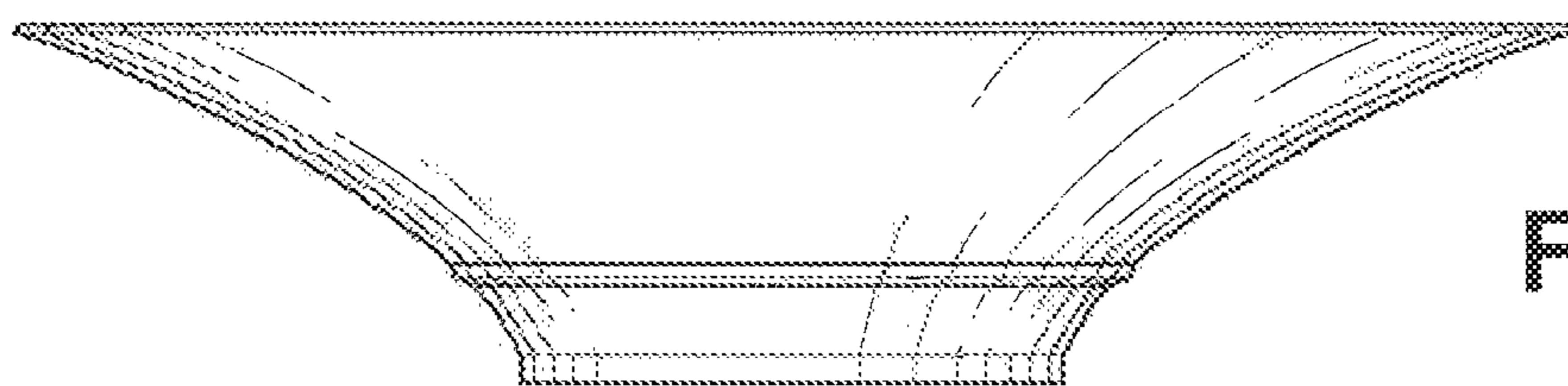


FIG. 5