



US00D591729S

(12) **United States Design Patent**
Natori

(10) **Patent No.:** **US D591,729 S**
(45) **Date of Patent:** **** May 5, 2009**

(54) **LOUDSPEAKER**

FOREIGN PATENT DOCUMENTS

(75) Inventor: **Shuji Natori**, Tokyo (JP)

JP S-1201052 4/2004

(73) Assignee: **Pioneer Kabushiki Kaisha**, Tokyo (JP)

OTHER PUBLICATIONS

(**) Term: **14 Years**

Dealer Manual 2001: Pioneer Brochure: 2001; Pioneer Europe N.V., Great Britain.
Optical Digital Reference: Pioneer Brochure: Carrozzeria: pp. 19-20: Feb. 2002, Japan.

(21) Appl. No.: **29/300,483**

* cited by examiner

(22) Filed: **Apr. 1, 2008**

Primary Examiner—Nanda Bondade

(30) **Foreign Application Priority Data**

(74) *Attorney, Agent, or Firm*—Oliff & Berridge PLC

Oct. 12, 2007 (JP) 2007-027875

(57) **CLAIM**

(51) **LOC (9) Cl.** **14-01**

The ornamental design for a loudspeaker, as shown and described.

(52) **U.S. Cl.** **D14/216**

(58) **Field of Classification Search** D14/204,
D14/210–216, 172; 181/143–144, 147–148,
181/150–153, 157, 198–199; 381/300–303,
381/306, 332–333, 336, 345, 361–364, 386–388
See application file for complete search history.

DESCRIPTION

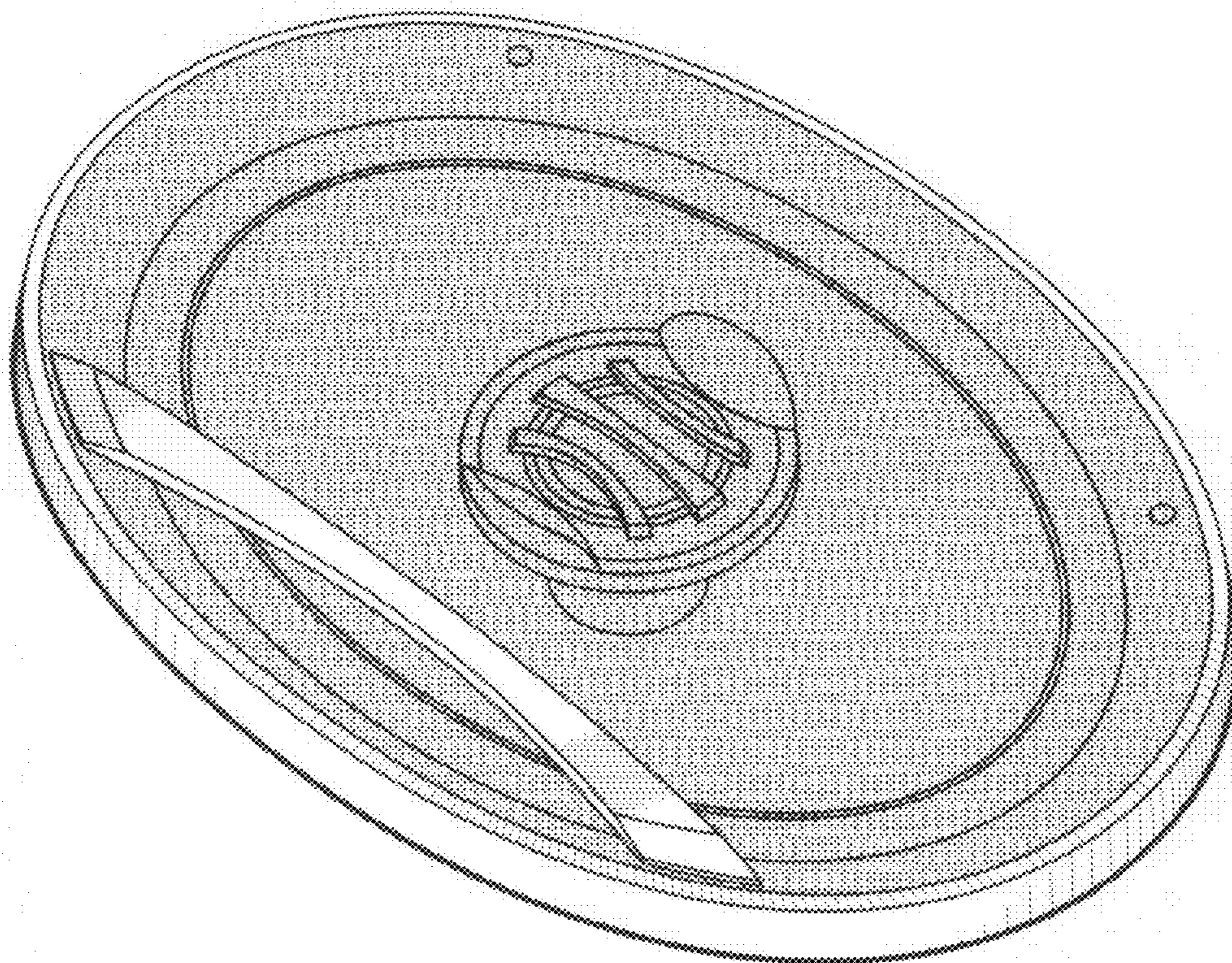
(56) **References Cited**

FIG. 1 is a front view of a loudspeaker;
FIG. 2 is a rear view thereof;
FIG. 3 is a top view thereof;
FIG. 4 is a bottom view thereof;
FIG. 5 is a left-side view thereof;
FIG. 6 is a right-side view thereof;
FIG. 7 is a front view thereof, with a net removed; and,
FIG. 8 is a perspective view of FIG. 1.

U.S. PATENT DOCUMENTS

D276,045 S * 10/1984 Kawachi D14/215
D276,912 S * 12/1984 Yoshikawa D14/215
D302,818 S * 8/1989 Camens D14/219
4,965,837 A * 10/1990 Murayama et al. 381/186
5,319,164 A * 6/1994 Shen 181/150
D543,969 S * 6/2007 Shiono D14/216

1 Claim, 4 Drawing Sheets



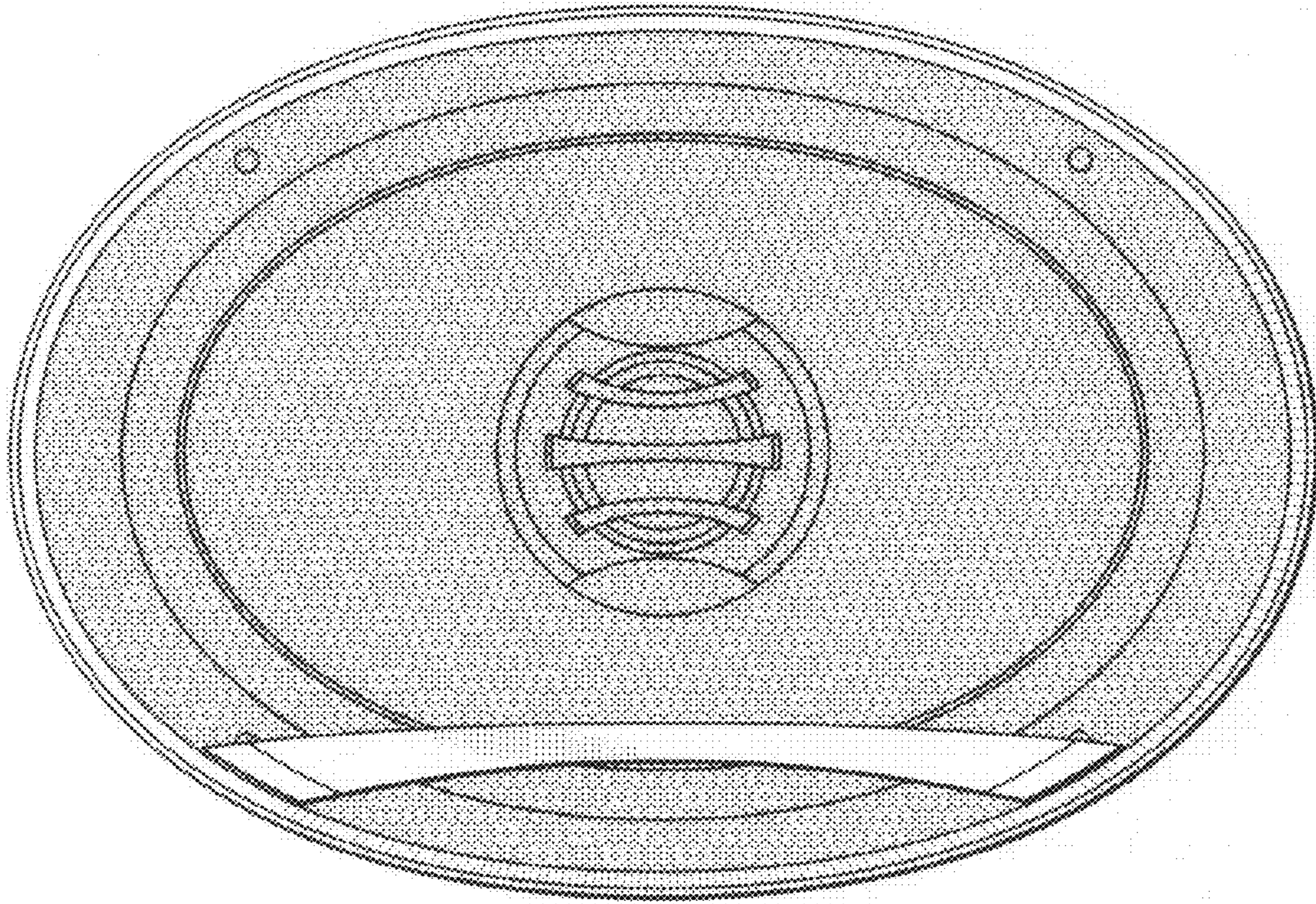


FIG. 1

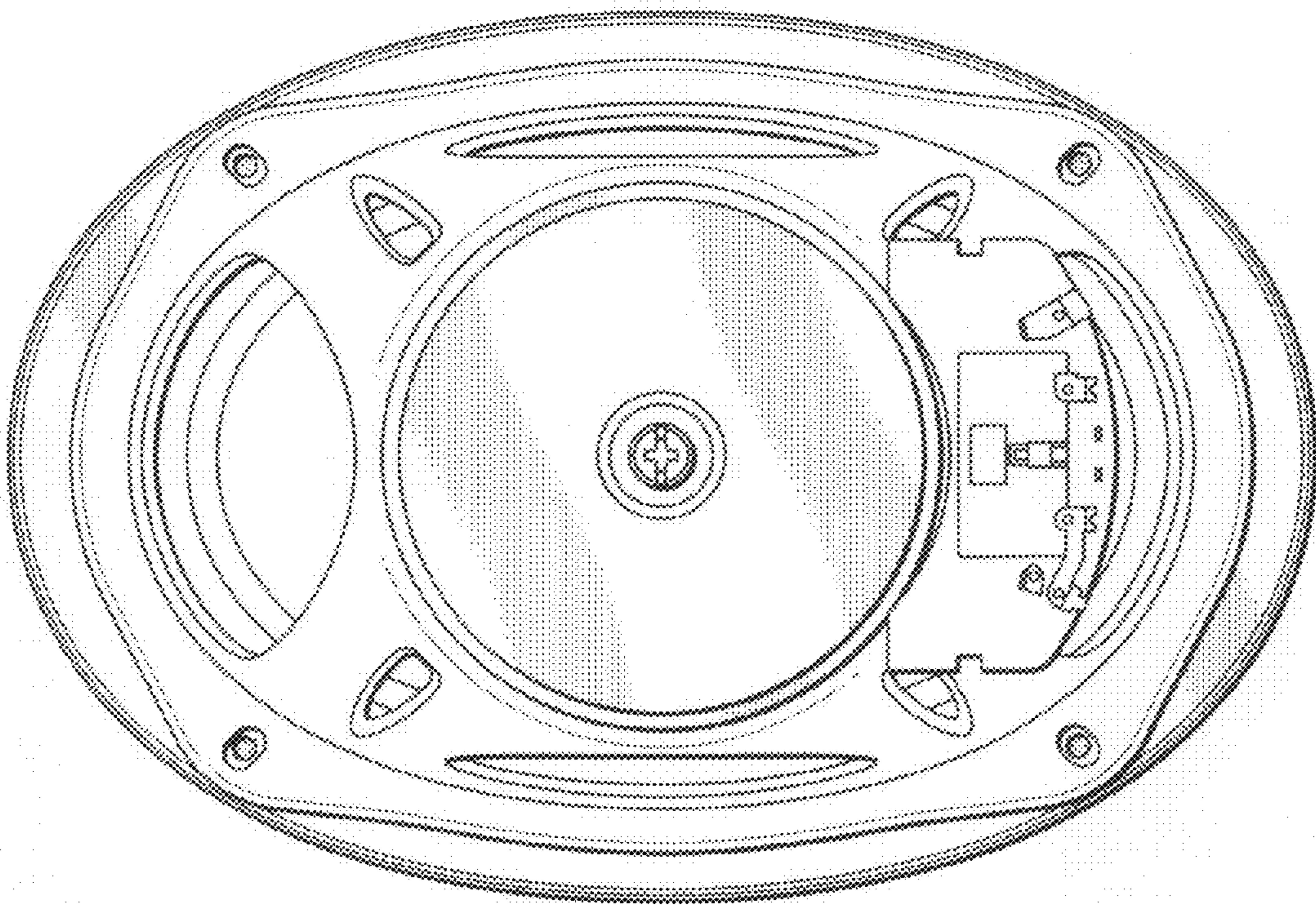


FIG. 2

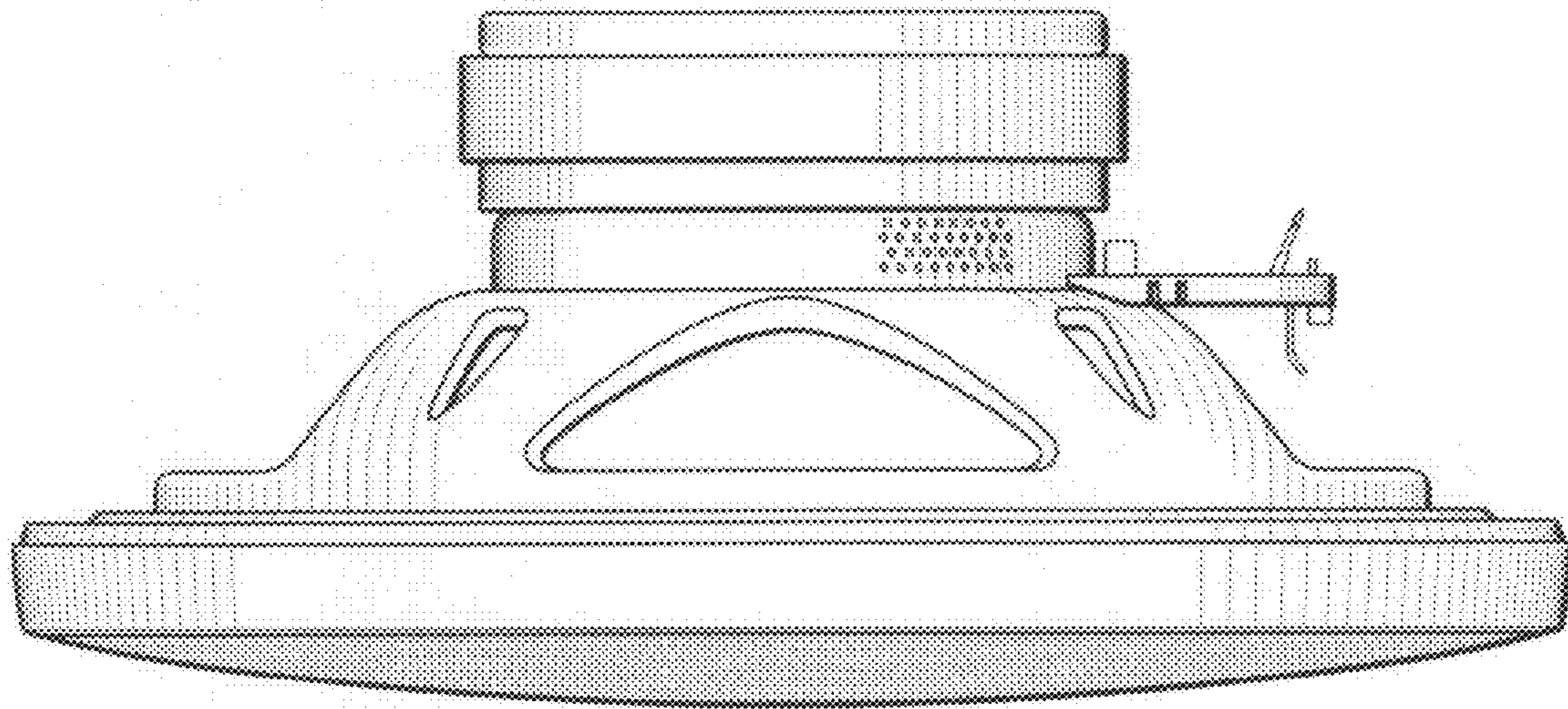


FIG. 3

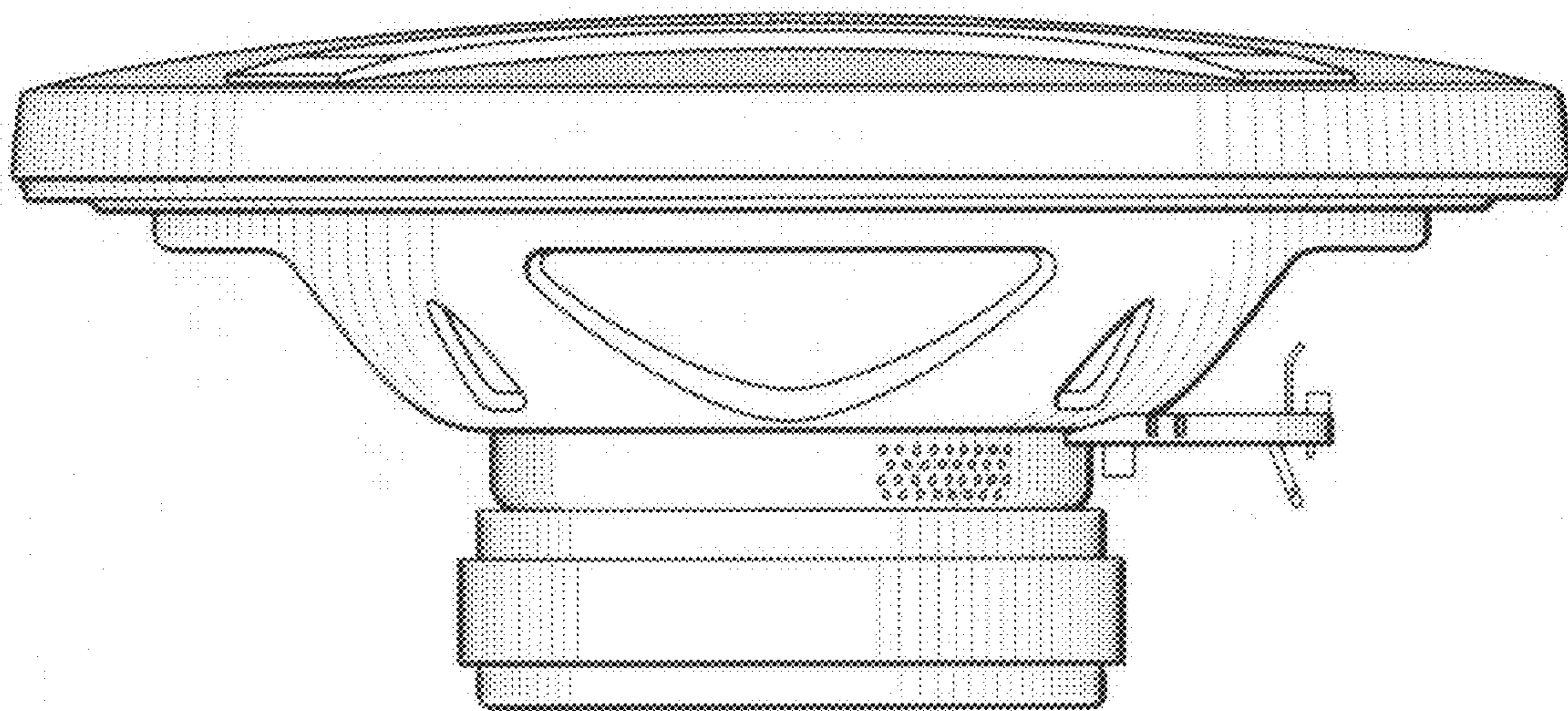


FIG. 4

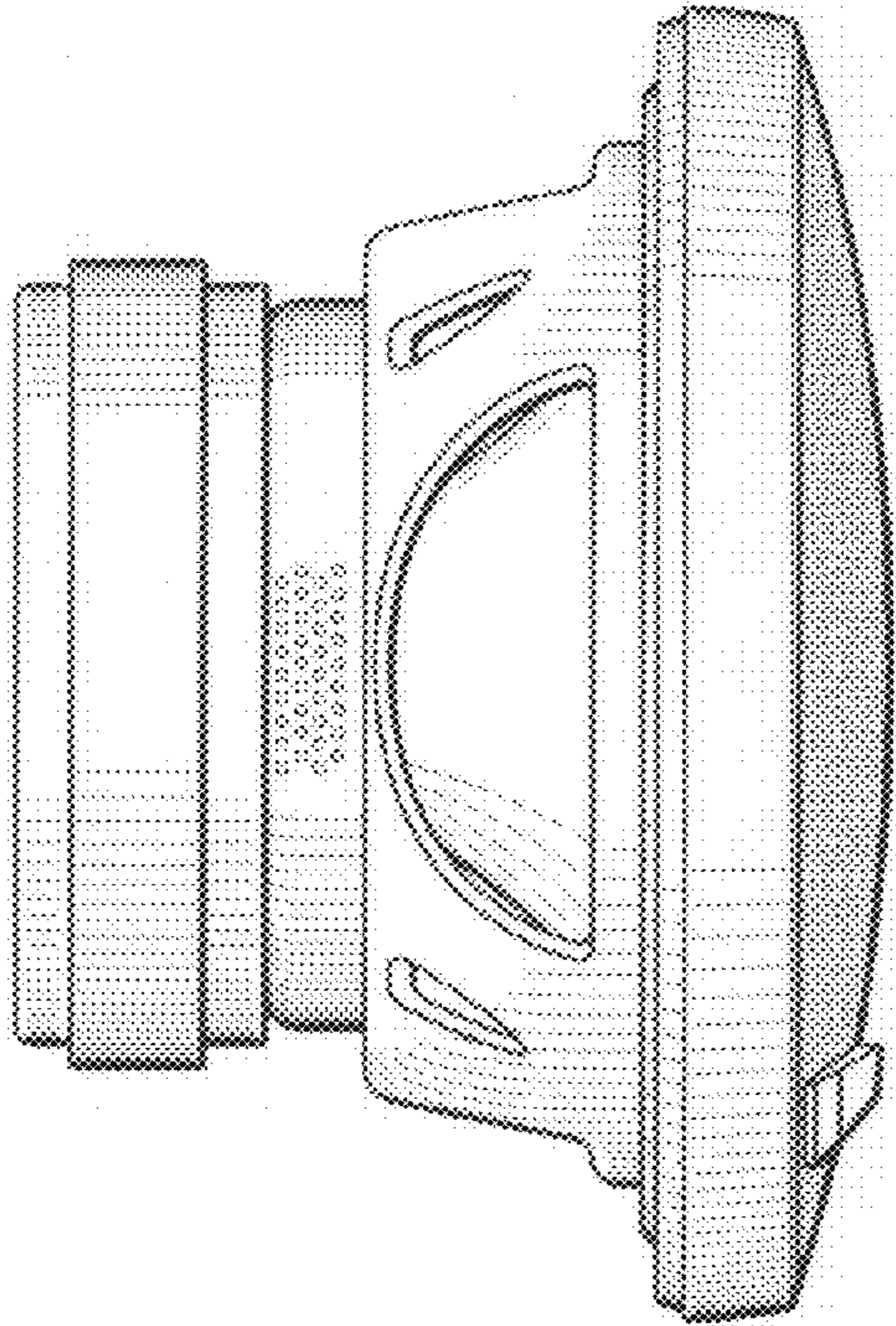


FIG. 5

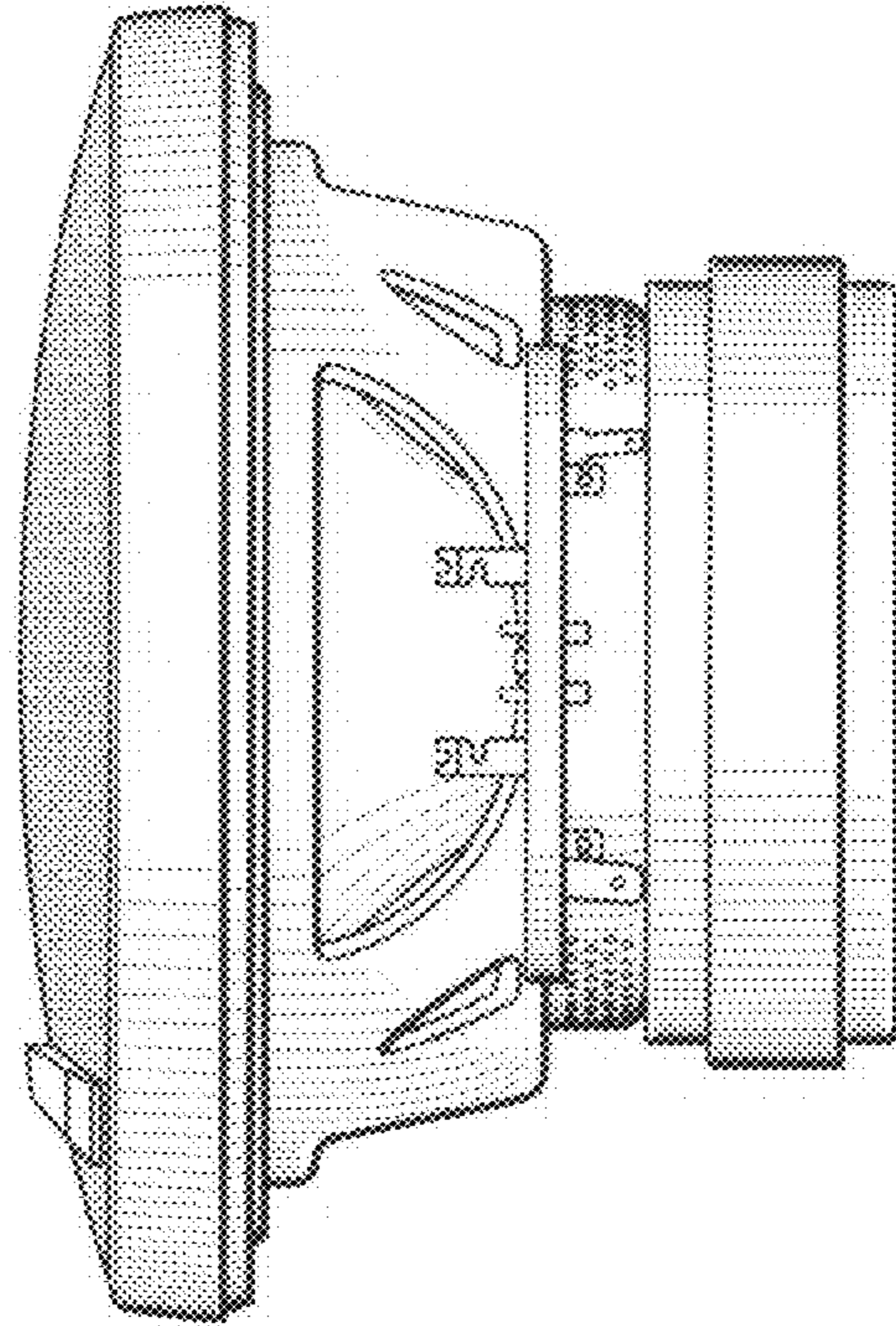


FIG. 6

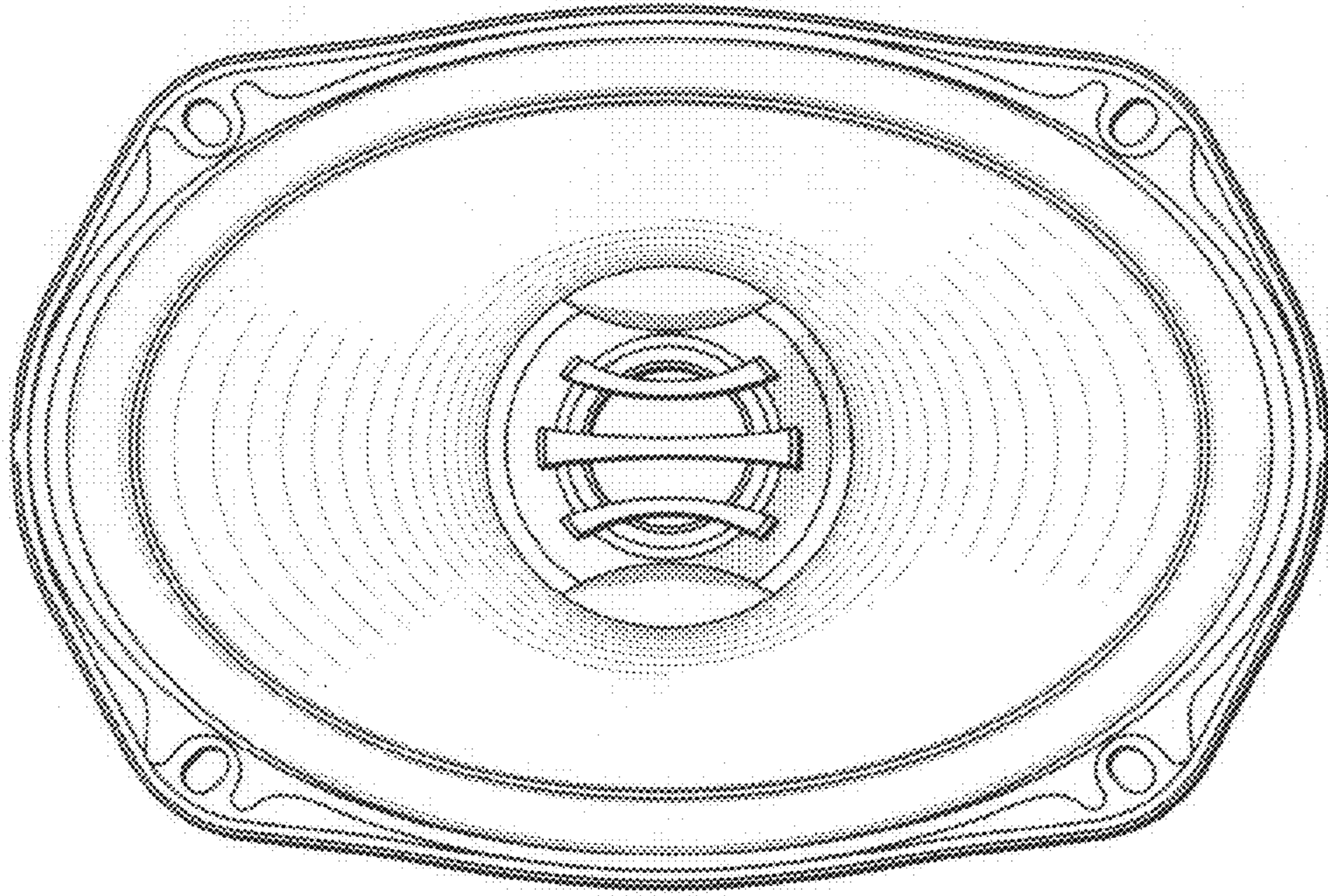


FIG. 7

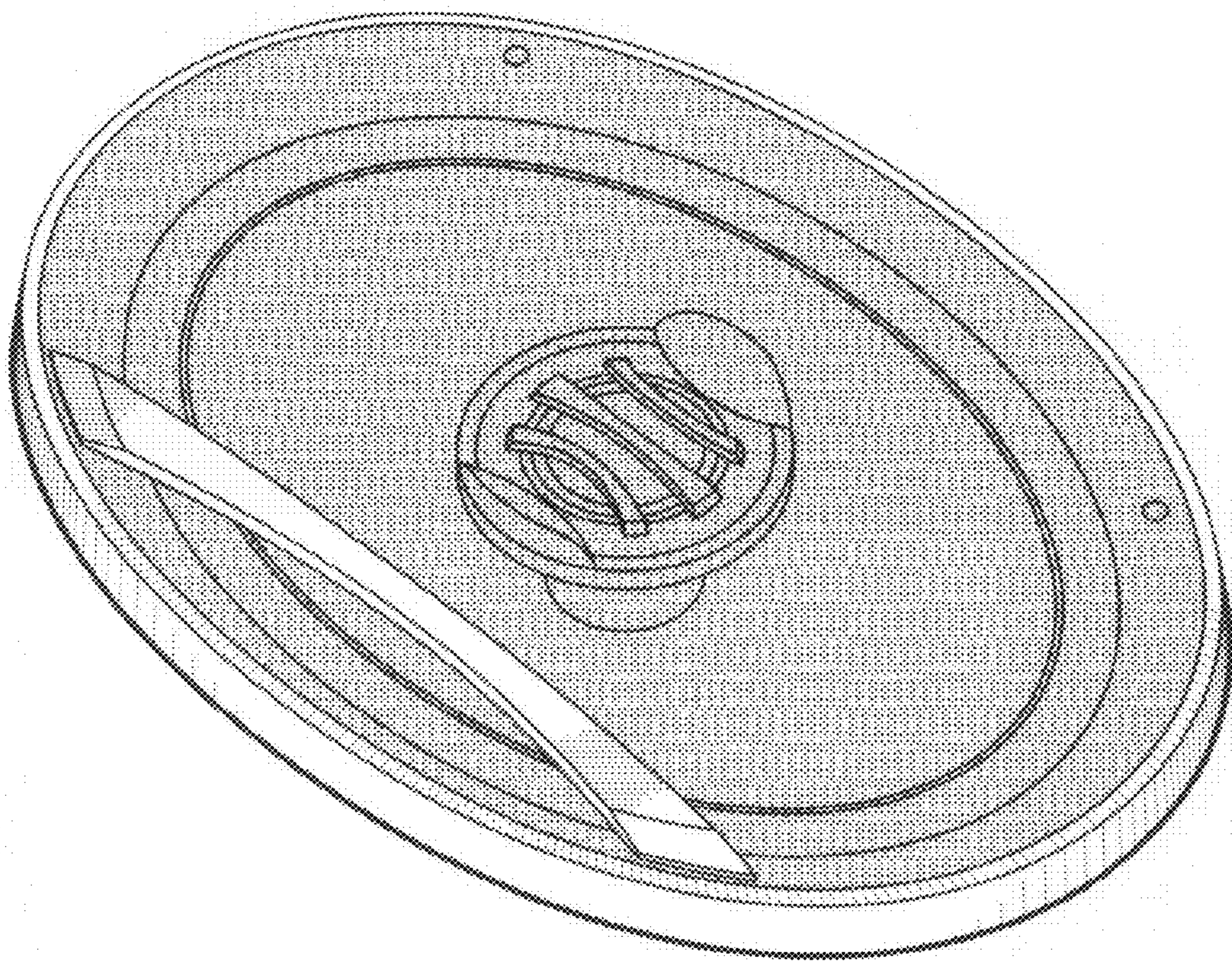


FIG. 8

UNITED STATES PATENT AND TRADEMARK OFFICE
CERTIFICATE OF CORRECTION

PATENT NO. : Des. 591,729 S
APPLICATION NO. : 29/300483
DATED : May 5, 2009
INVENTOR(S) : Shuji Natori

Page 1 of 1

It is certified that error appears in the above-identified patent and that said Letters Patent is hereby corrected as shown below:

On the Title Pg. Item (**) Term

Please delete the following:

“(**) 14 Years”

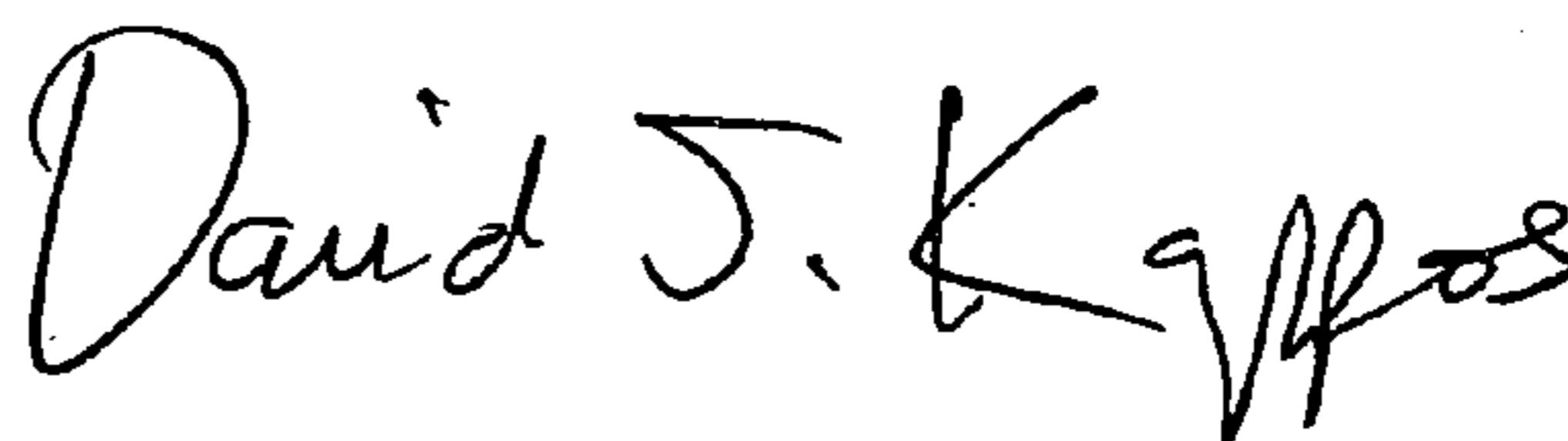
and Replace with:

--(**) 14 Years

This patent is subject to a terminal disclaimer.--

Signed and Sealed this

Eleventh Day of August, 2009



David J. Kappos
Director of the United States Patent and Trademark Office