



US00D591726S

(12) **United States Design Patent**  
**Graber**

(10) **Patent No.:** **US D591,726 S**

(45) **Date of Patent:** **\*\* May 5, 2009**

(54) **HOUSING FOR ACOUSTIC PROJECTOR**

(76) **Inventor:** **Curtis E. Graber**, 9301 Roberts Rd.,  
Woodburn, IN (US) 46797

(\*\*) **Term:** **14 Years**

(21) **Appl. No.:** **29/294,532**

(22) **Filed:** **Jan. 16, 2008**

(51) **LOC (9) Cl.** ..... **14-01**

(52) **U.S. Cl.** ..... **D14/216**

(58) **Field of Classification Search** ..... D14/204,  
D14/210–216, 172; 181/143–144, 147–148,  
181/150–153, 157, 198–199; 381/300–303,  
381/306, 332–333, 336, 345, 361–364, 386–388  
See application file for complete search history.

(56) **References Cited**

**U.S. PATENT DOCUMENTS**

D319,243 S *	8/1991	Yamakawa	.....	D14/216
5,319,164 A *	6/1994	Shen	.....	181/150
D440,557 S *	4/2001	Su	.....	D14/215
D489,359 S *	5/2004	Hakoda	.....	D14/215

\* cited by examiner

*Primary Examiner*—Nanda Bondade  
(74) *Attorney, Agent, or Firm*—Paul W. O'Malley; Susan L. Firestone

(57) **CLAIM**

The ornamental design housing for acoustic projector, as shown.

**DESCRIPTION**

The invention relates to housings for acoustic projector and other radiation projectors and more particularly to a new ornamental design for such housings.

FIG. 1 is a perspective view of a housing for acoustic projector showing my new design from the front face thereof;

FIG. 2 is a perspective view from the opposite angle of FIG. 1 thereof;

FIG. 3 is a front elevation thereof;

FIG. 4 is a rear elevation thereof;

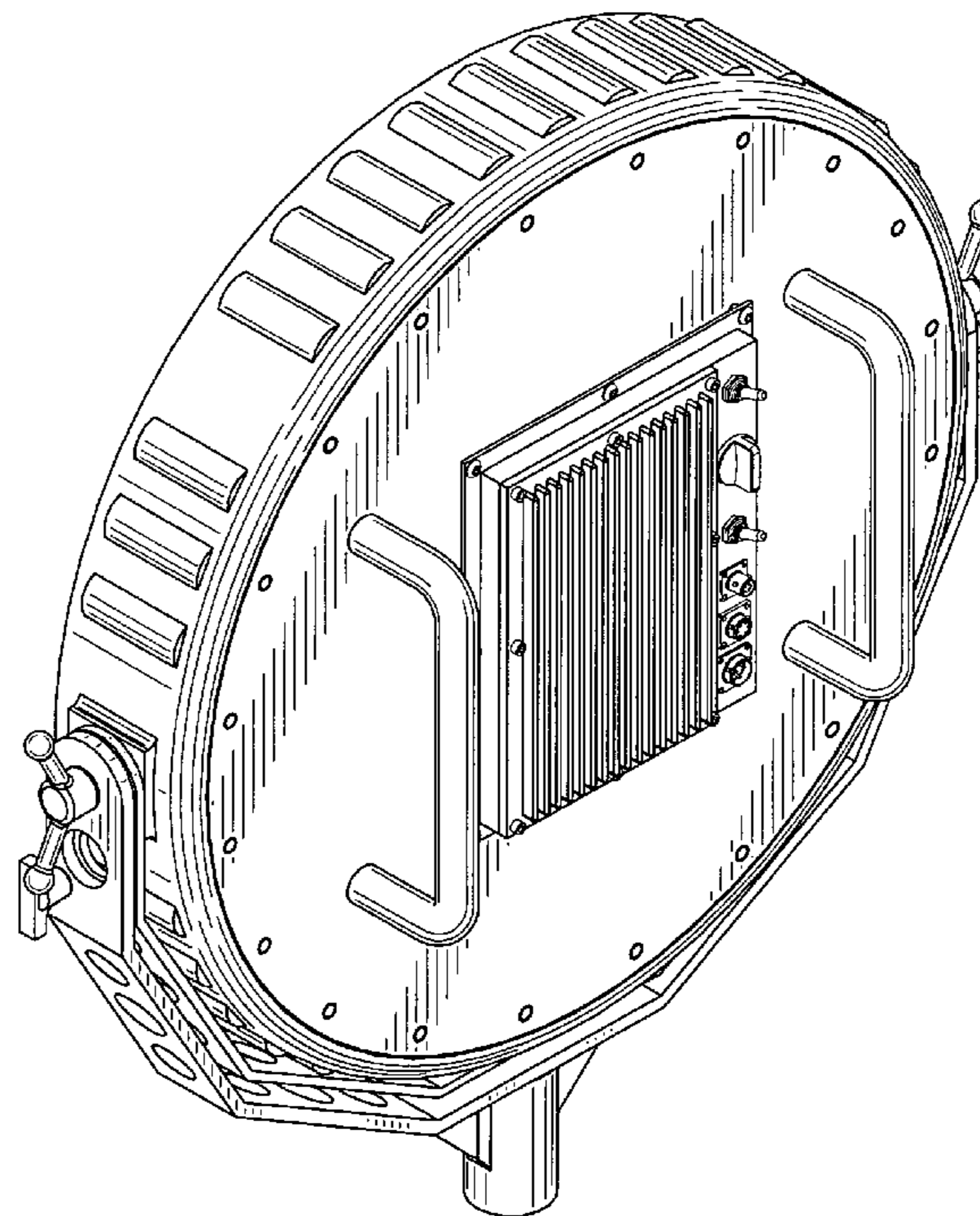
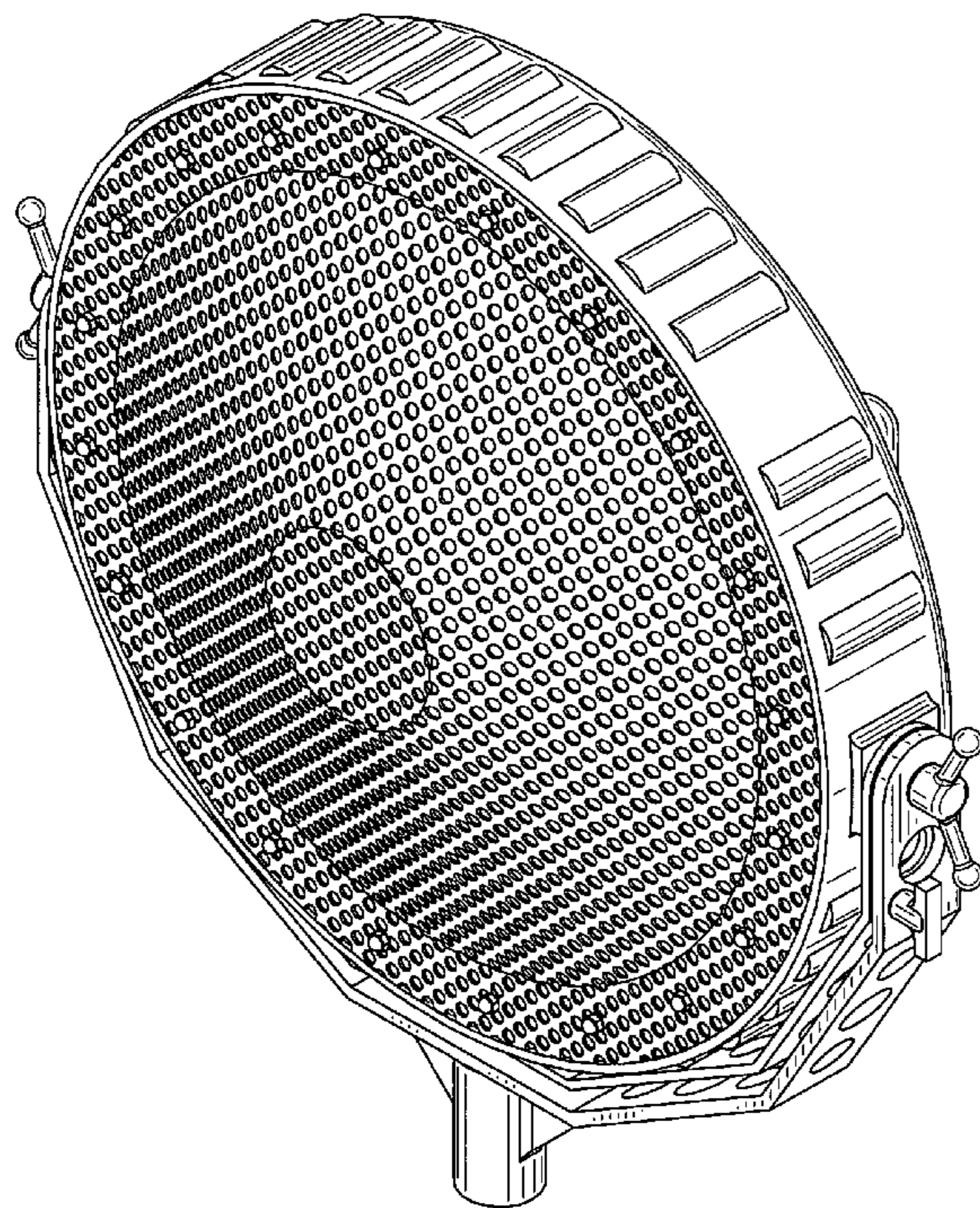
FIG. 5 is a right side elevation thereof;

FIG. 6 is a left side elevation thereof;

FIG. 7 is a top plan view; and,

FIG. 8 is a bottom plan view.

**1 Claim, 8 Drawing Sheets**



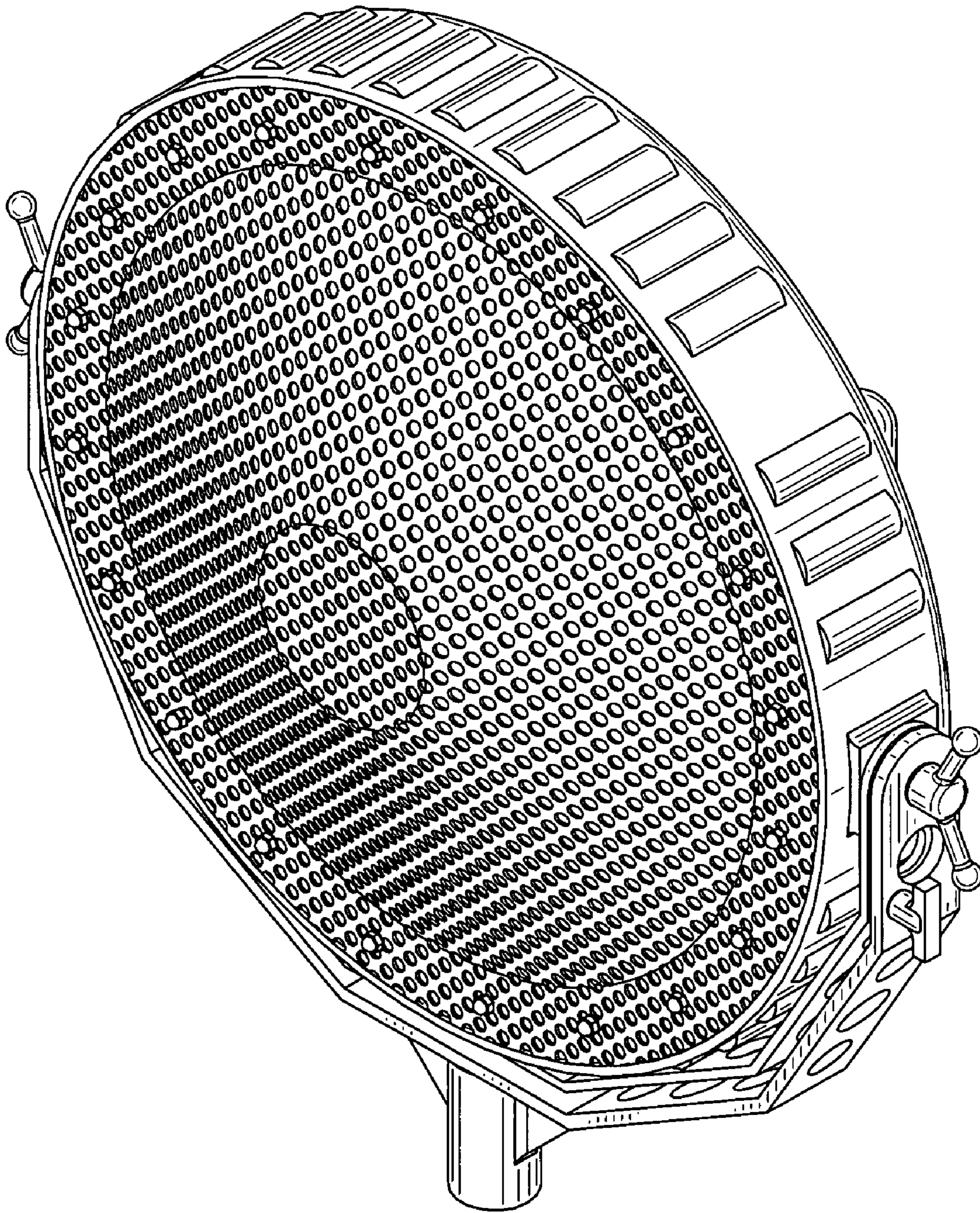


FIG. 1

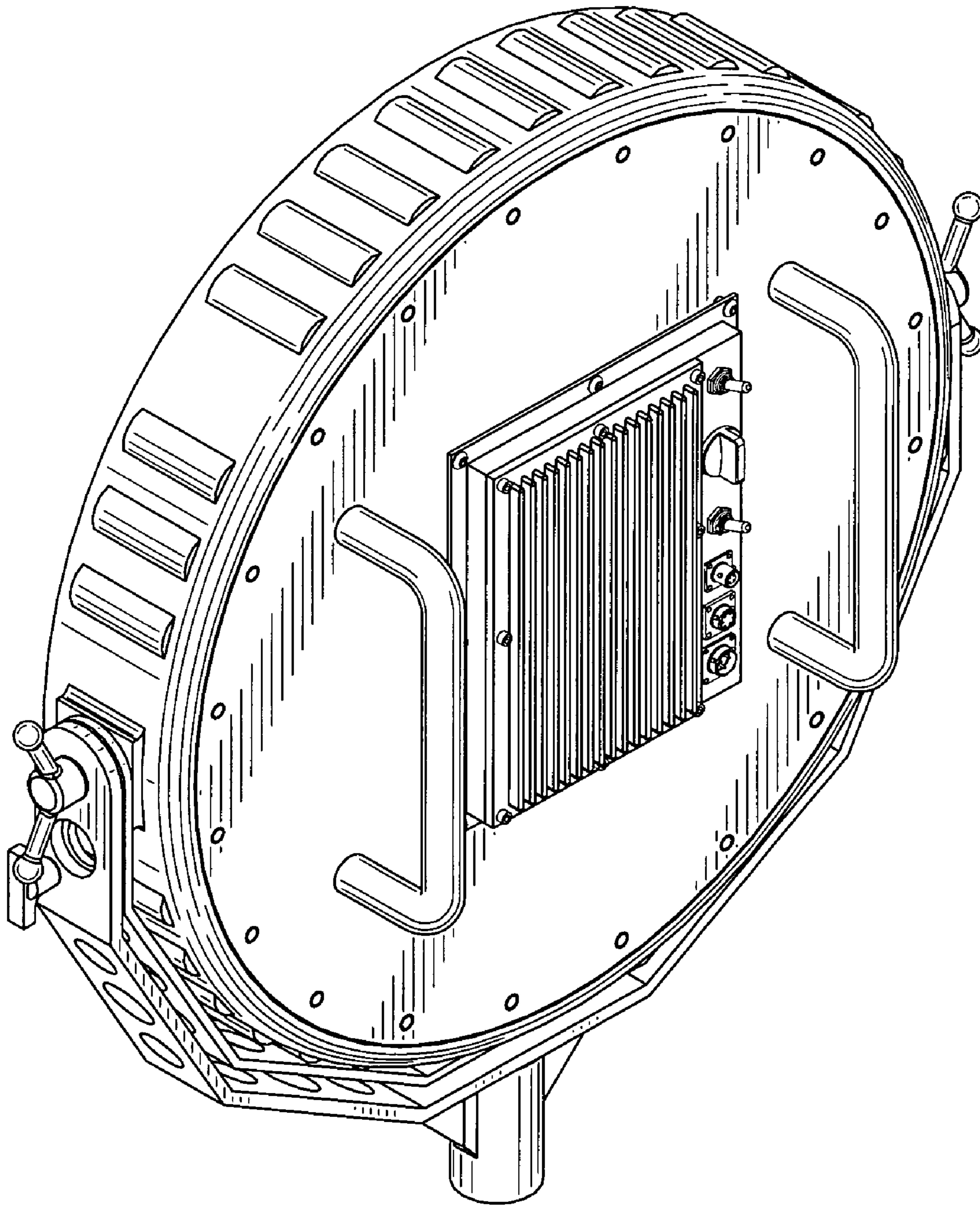


FIG. 2

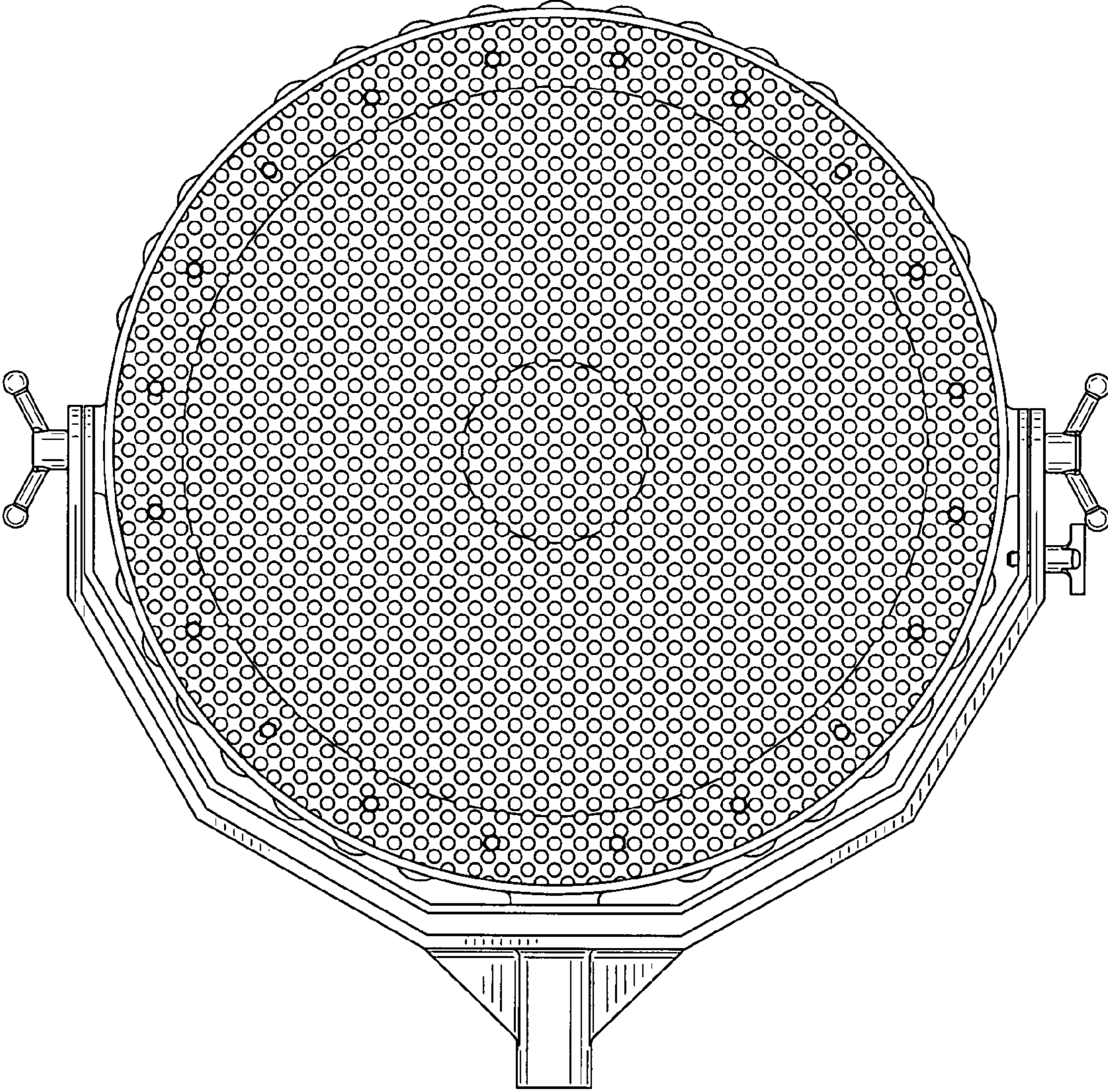


FIG. 3

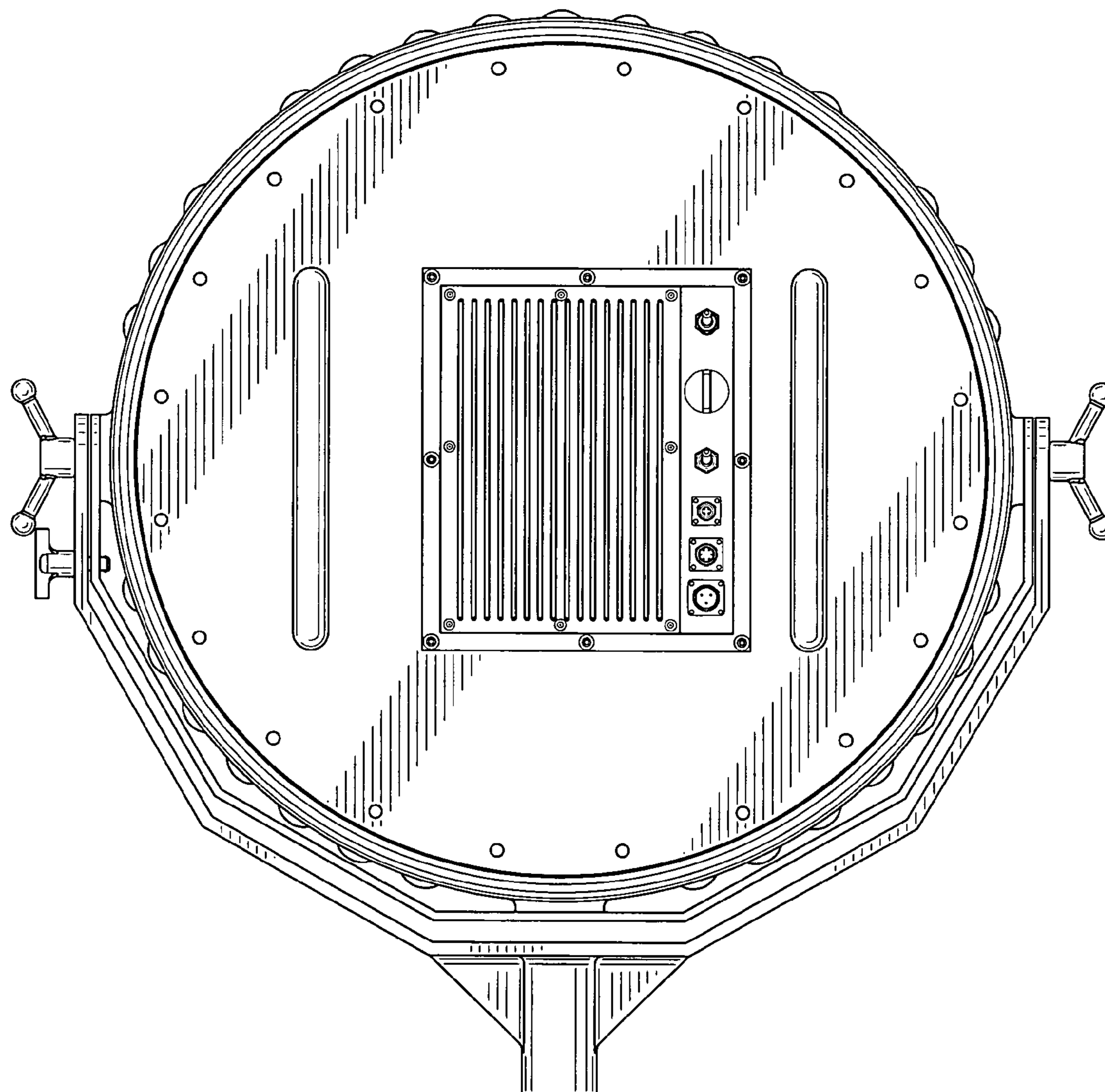


FIG. 4

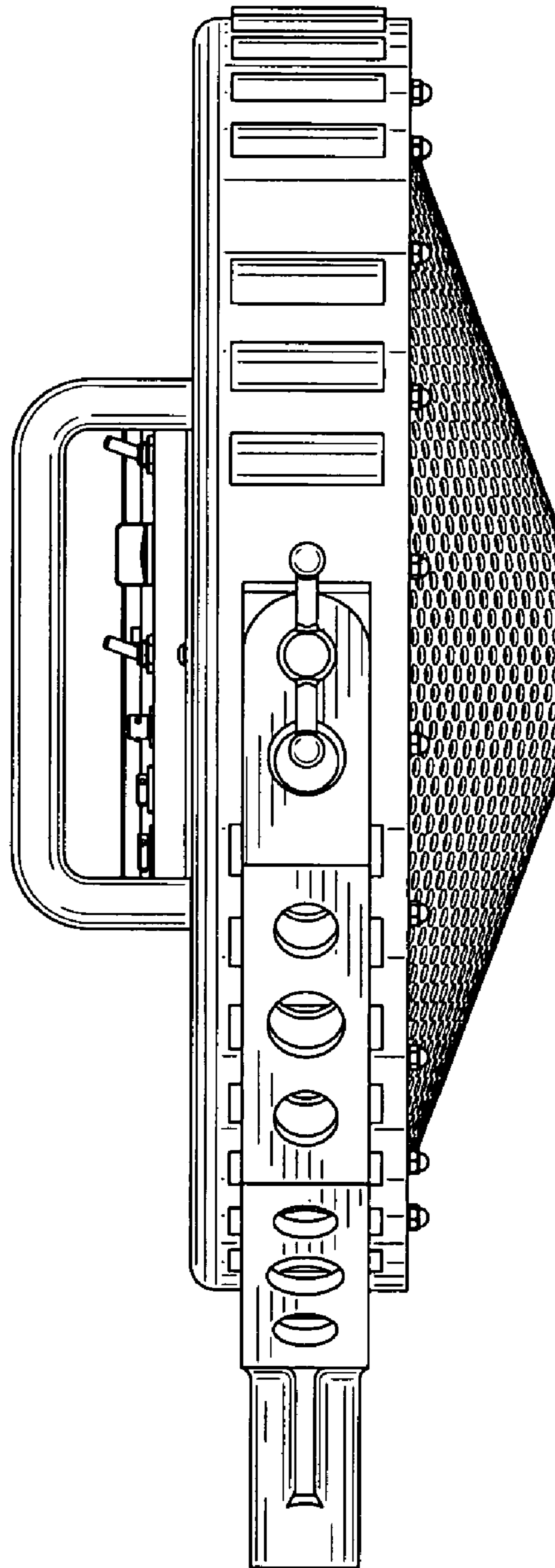


FIG. 5

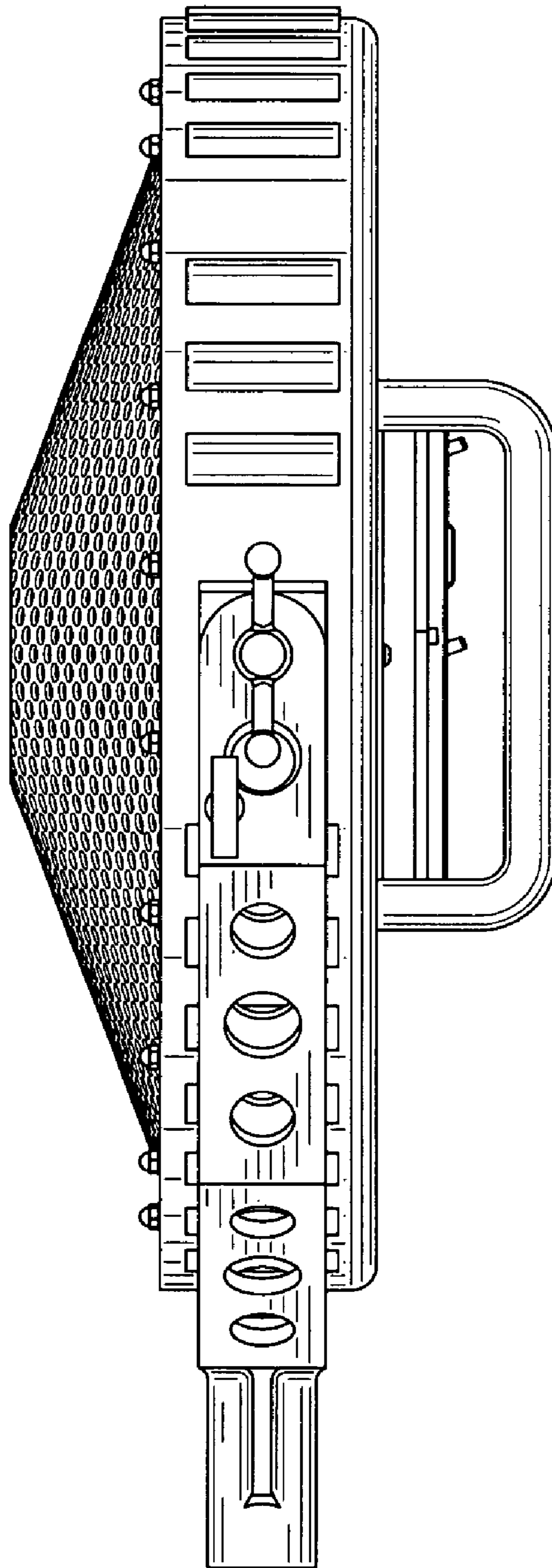


FIG. 6

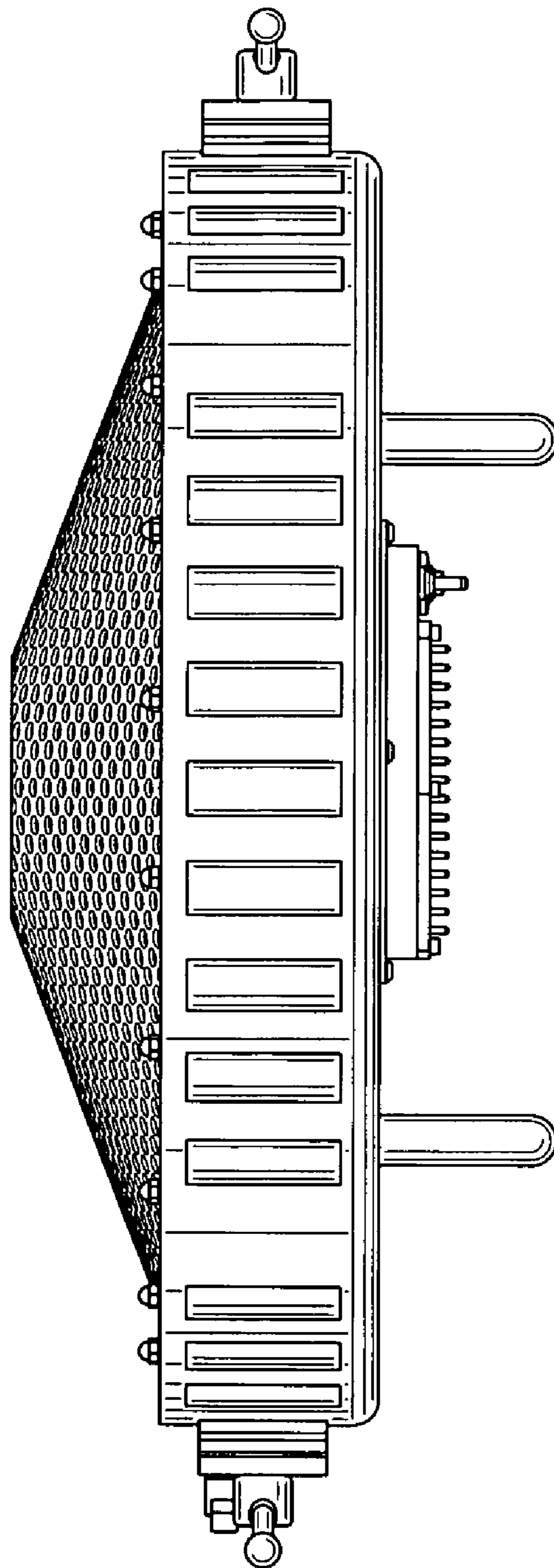


FIG. 7



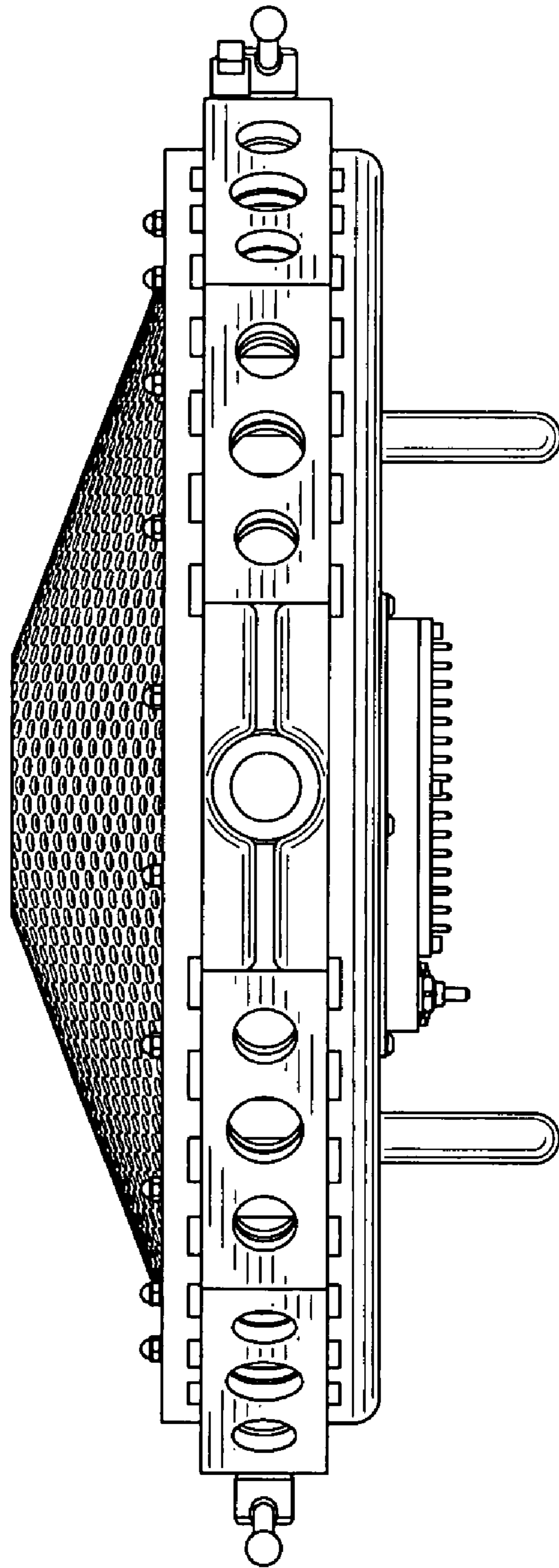


FIG. 8