



US00D591724S

(12) **United States Design Patent**
Davies et al.

(10) **Patent No.:** **US D591,724 S**

(45) **Date of Patent:** **** May 5, 2009**

(54) **SUBWOOFER**

D405,088 S * 2/1999 Chen D14/214
D439,238 S * 3/2001 Mackie et al. D14/214
D497,899 S * 11/2004 Weikel et al. D14/214

(75) Inventors: **Christopher Lee Davies**, Long Beach, CA (US); **Bernie Hawkins**, Long Beach, CA (US); **Gerald Wayne Tschetter**, Santa Ana, CA (US); **Matthew William Tivnon**, Ladera Ranch, CA (US); **Adam C. Wade**, Rancho Santa Margarita, CA (US)

* cited by examiner

Primary Examiner—Nanda Bondade
(74) *Attorney, Agent, or Firm*—Crowell & Moring LLP

(73) Assignee: **QSC Audio Products, Inc.**, Costa Mesa, CA (US)

(57) **CLAIM**

The ornamental design for a subwoofer, as shown and described.

(**) Term: **14 Years**

DESCRIPTION

(21) Appl. No.: **29/322,113**

FIG. 1 is a perspective view of a subwoofer according to our novel design;

(22) Filed: **Jul. 29, 2008**

FIG. 2 is a top view thereof;

(51) **LOC (9) Cl.** **14-01**

FIG. 3 is a bottom view thereof;

(52) **U.S. Cl.** **D14/214**

FIG. 4 is a front view thereof;

(58) **Field of Classification Search** D14/204,
D14/207, 210–216, 172; 181/143–144, 147–148,
181/150–153, 157, 198–199; 381/300–303,
381/306, 332–333, 336, 345, 361–364, 386–388
See application file for complete search history.

FIG. 5 is a side view thereof, taken from the left of FIG. 4;

FIG. 6 is a side view thereof taken from the right of FIG. 4;

and,

FIG. 7 is a rear view thereof.

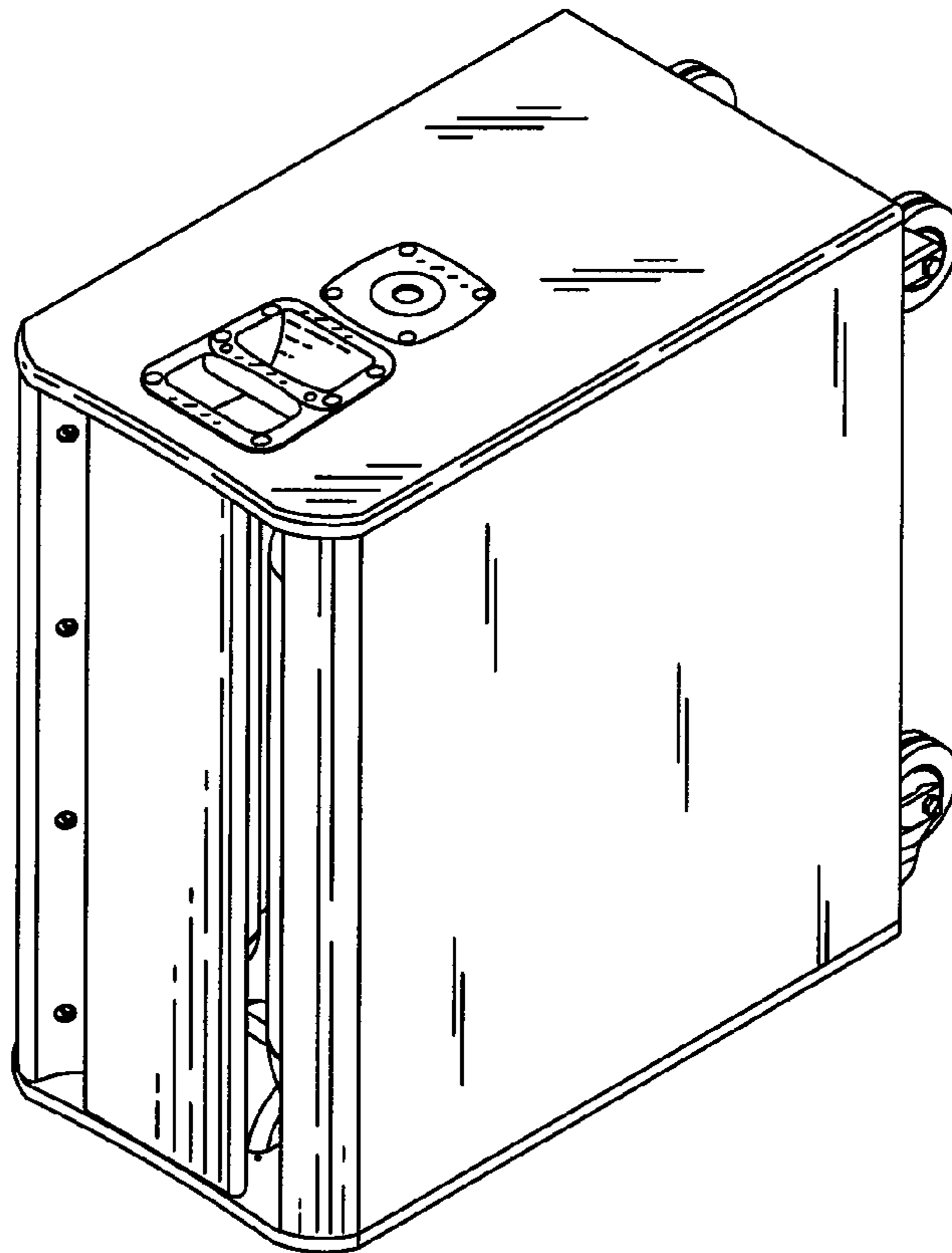
The broken lines are for illustrative purposes only and form no part of the claimed design.

(56) **References Cited**

U.S. PATENT DOCUMENTS

D405,086 S * 2/1999 Goto D14/214

1 Claim, 2 Drawing Sheets



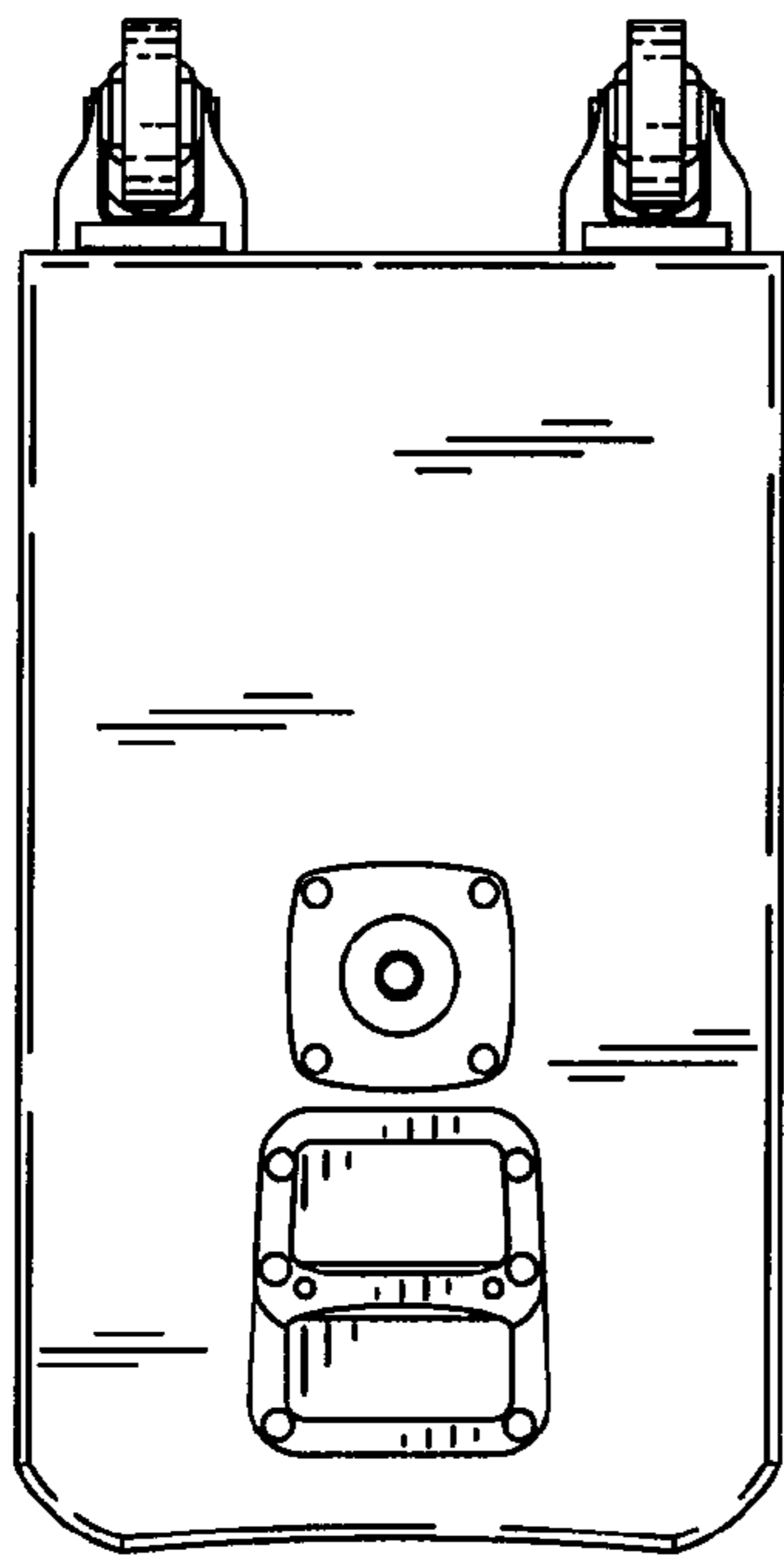


Fig. 2

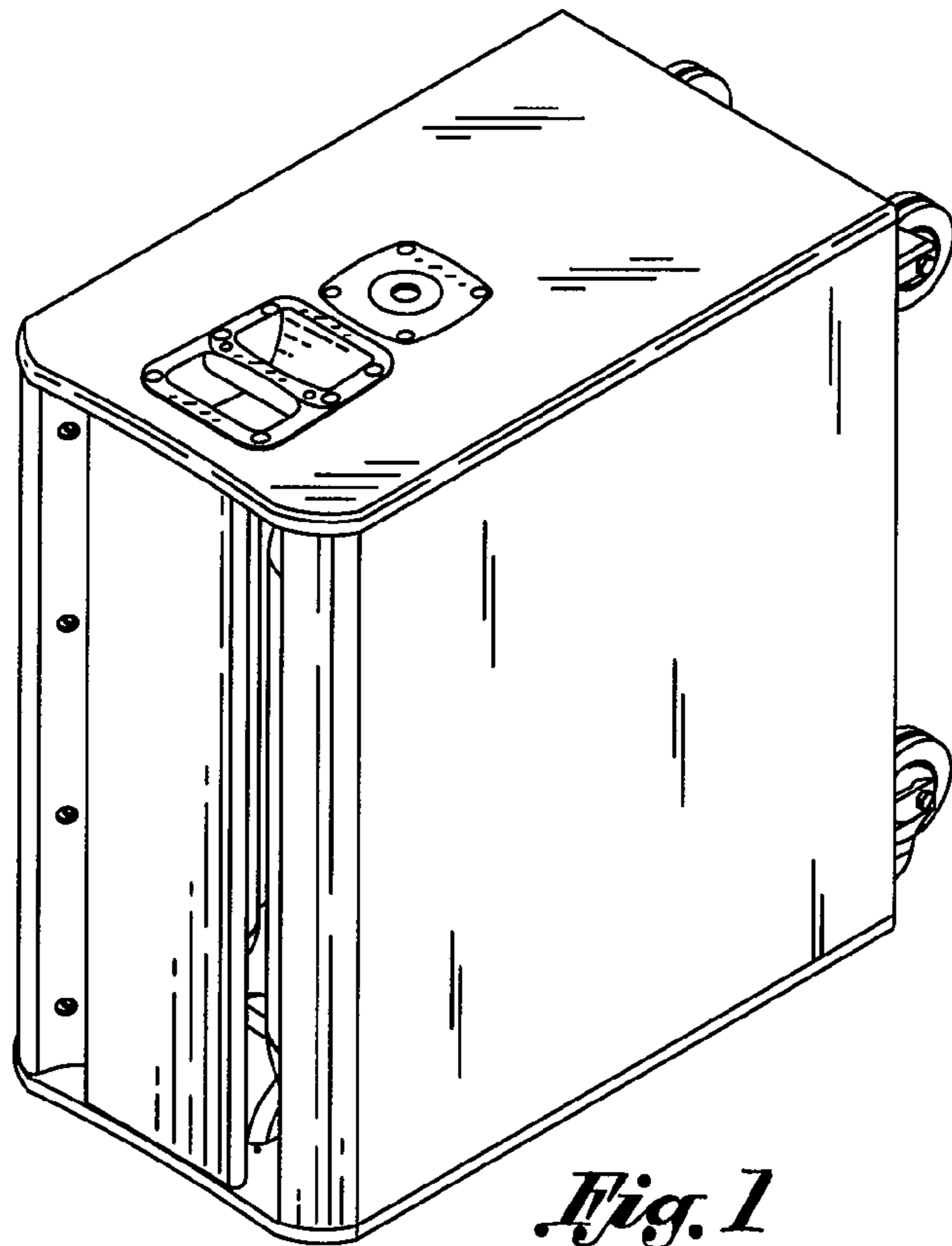


Fig. 1

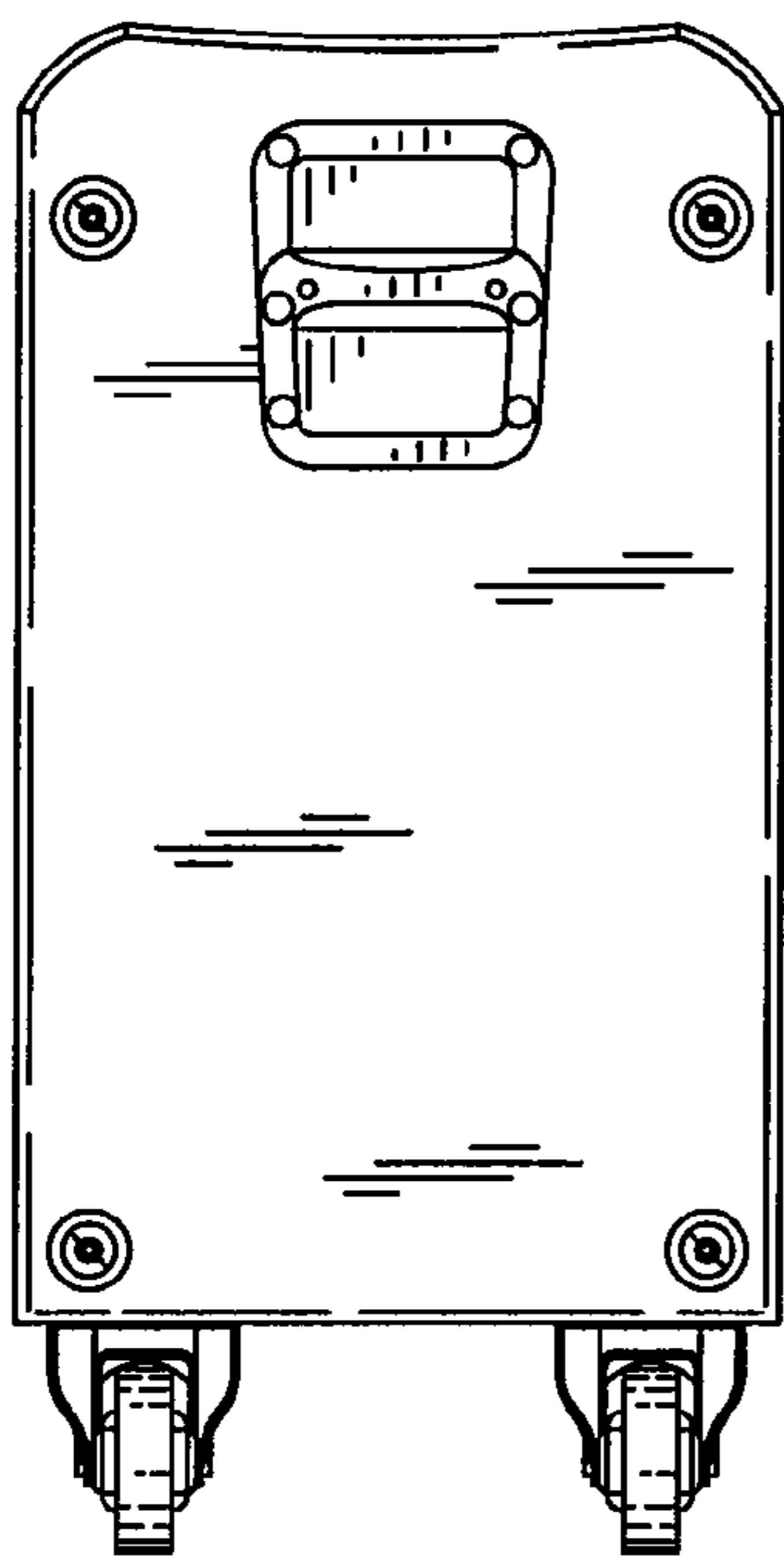


Fig. 3

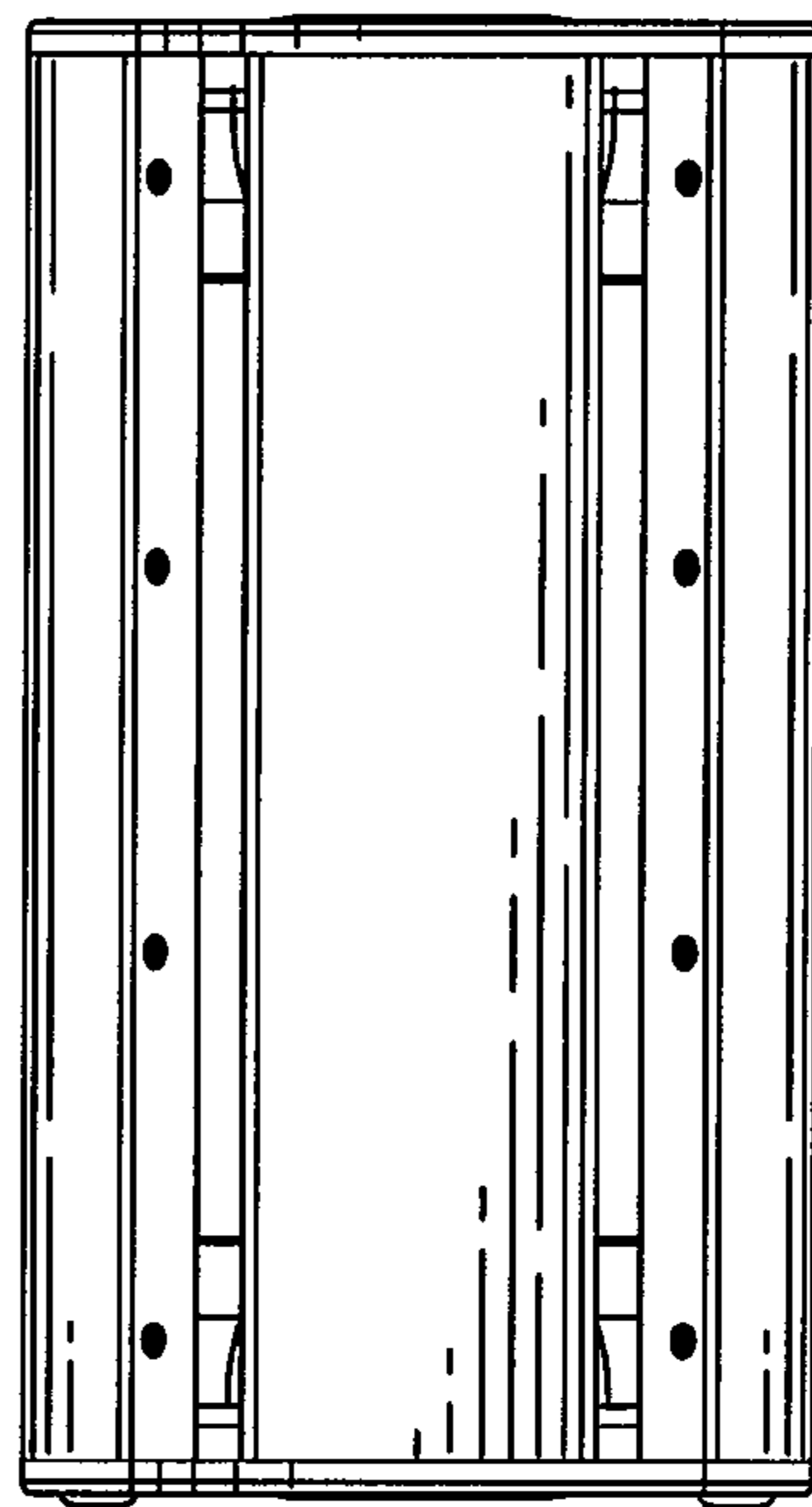


Fig. 4

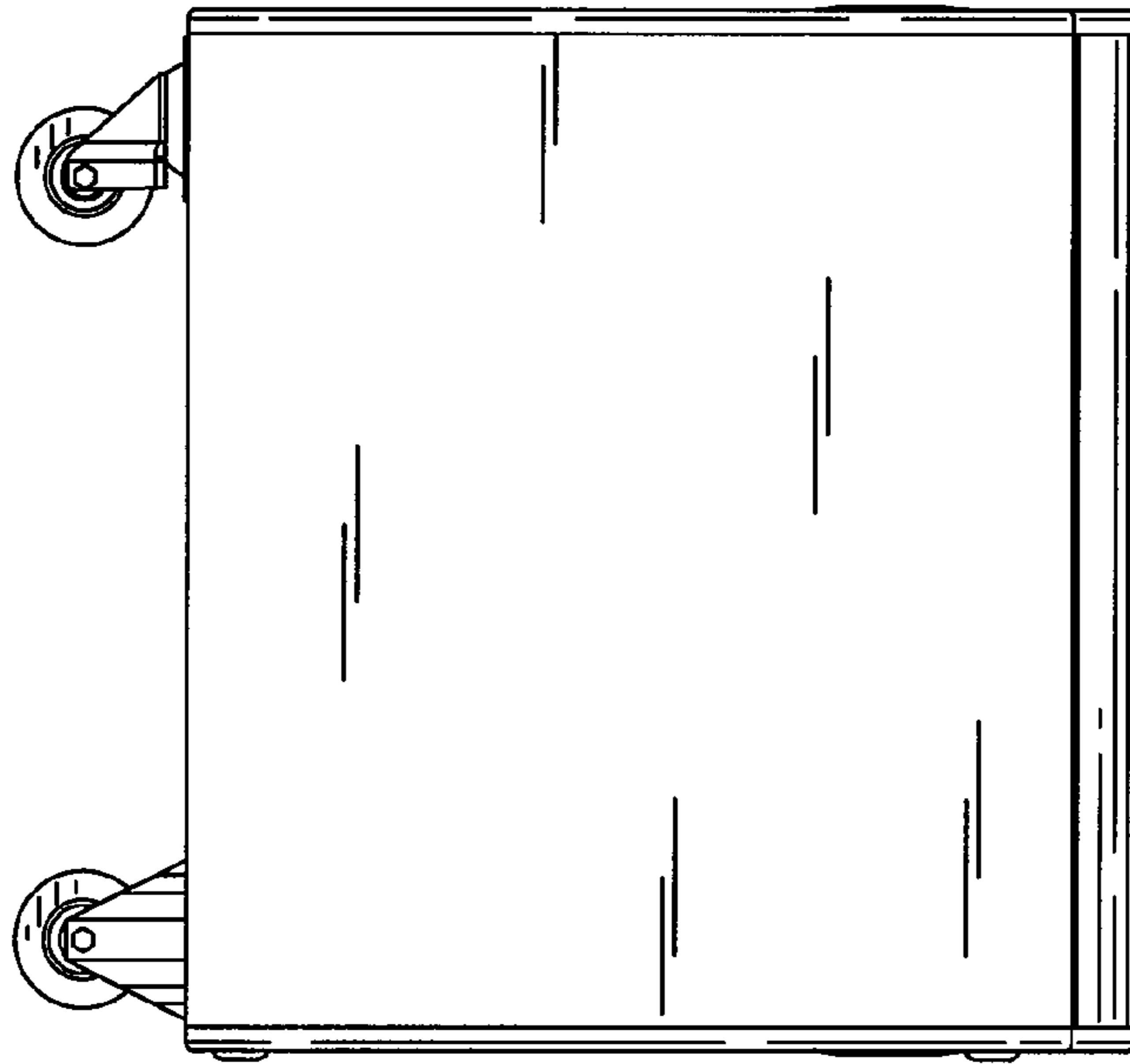


Fig. 5

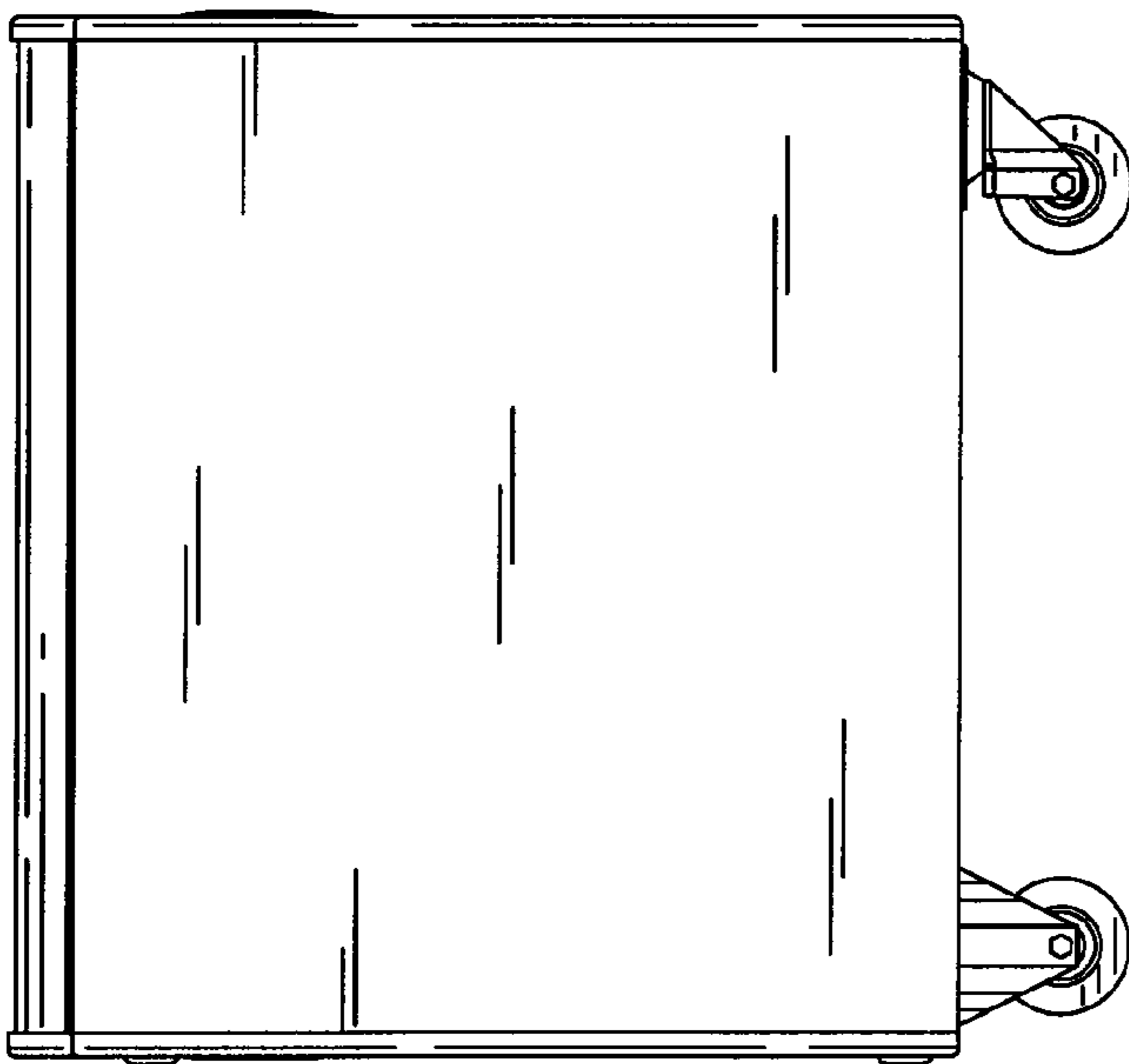


Fig. 6

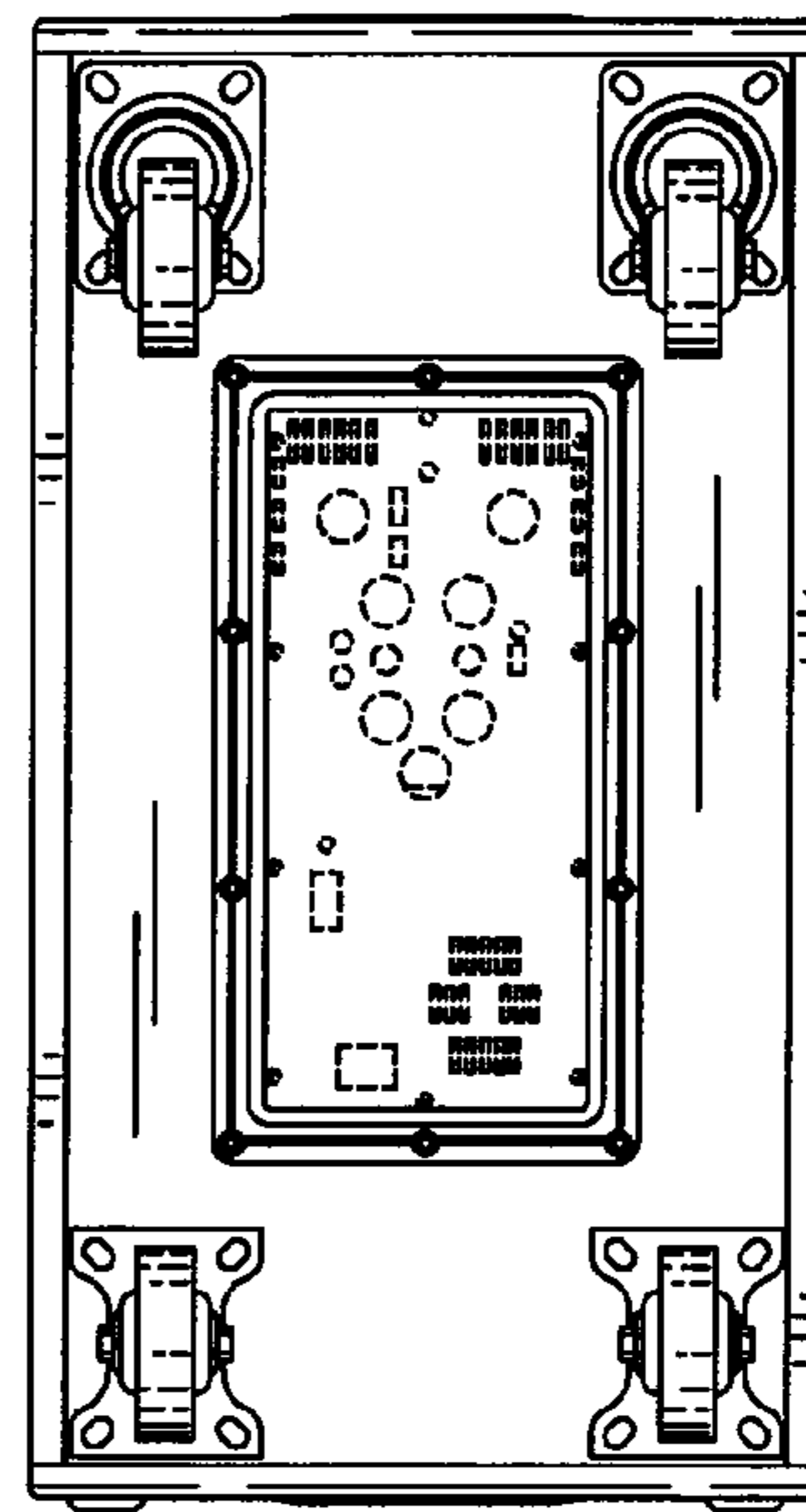


Fig. 7