

US00D591723S

(12) **United States Design Patent**
Adey

(10) **Patent No.:** **US D591,723 S**

(45) **Date of Patent:** **** May 5, 2009**

(54) **LOUDSPEAKER**

(76) Inventor: **Michael Adey**, Alerxander House,
Highfield Park, Llandymog,
Denbighshire (GB) LL16 4LU

(**) Term: **14 Years**

(21) Appl. No.: **29/288,099**

(22) Filed: **May 30, 2007**

(30) **Foreign Application Priority Data**

Feb. 22, 2007 (EM) 000675814

(51) **LOC (9) Cl.** **14-01**

(52) **U.S. Cl.** **D14/207**

(58) **Field of Classification Search** D14/204,
D14/207, 209-216, 219-220; D21/447,
D21/451, 452; 181/143-144, 150, 157, 198-199,
181/151, 153; 381/300-302, 306, 333, 345,
381/361-364, 386-388, 332, 336; 446/45,
446/212, 52

See application file for complete search history.

(56) **References Cited**

U.S. PATENT DOCUMENTS

4,295,290 A * 10/1981 Boswell 446/45
D317,159 S * 5/1991 Kurata et al. D14/216
D326,829 S * 6/1992 Mahoney D21/452

D387,059 S * 12/1997 Peng D14/214
D474,237 S * 5/2003 Levine D21/452
D497,903 S * 11/2004 Chin et al. D14/216
D529,897 S * 10/2006 Topping D14/207
D530,308 S * 10/2006 Topping D14/207

* cited by examiner

Primary Examiner—Nanda Bondade

(74) *Attorney, Agent, or Firm*—Kenneth Solomon, Esq.

(57) **CLAIM**

I claim the ornamental design for a loudspeaker, as shown and described.

DESCRIPTION

FIG. 1 is a front elevational view of a loudspeaker showing my new design;

FIG. 2 is front elevational view of a second embodiment of FIG. 1;

FIG. 3 is a left side elevational view of FIG. 1;

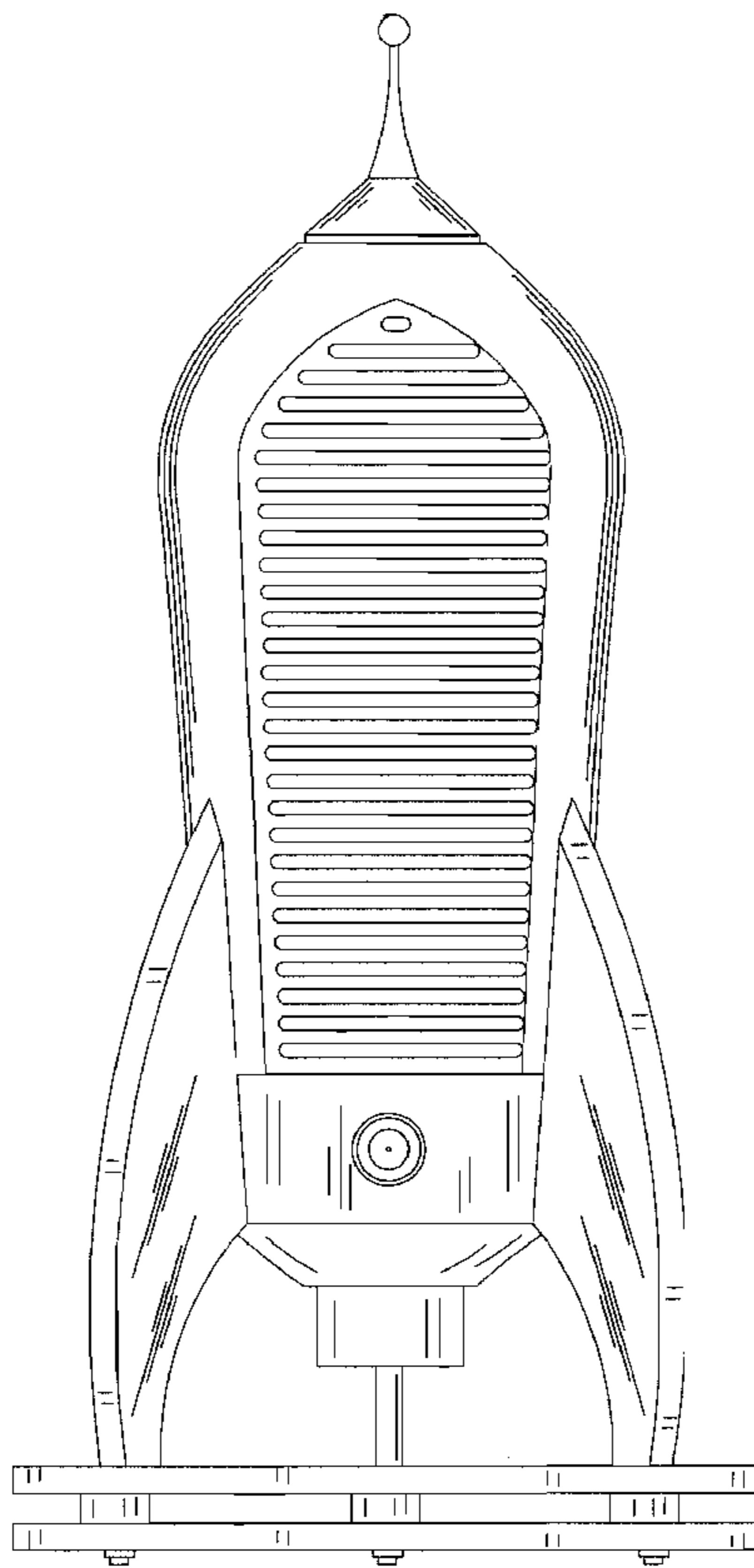
FIG. 4 is a rear elevational view of FIG. 1;

FIG. 5 is an enlarged top plan view of FIG. 1; and,

FIG. 6 is a perspective view of FIG. 1.

The broken line showing on the drawing disclosure is for illustrative purposes only and forms no part of the claimed design.

1 Claim, 6 Drawing Sheets



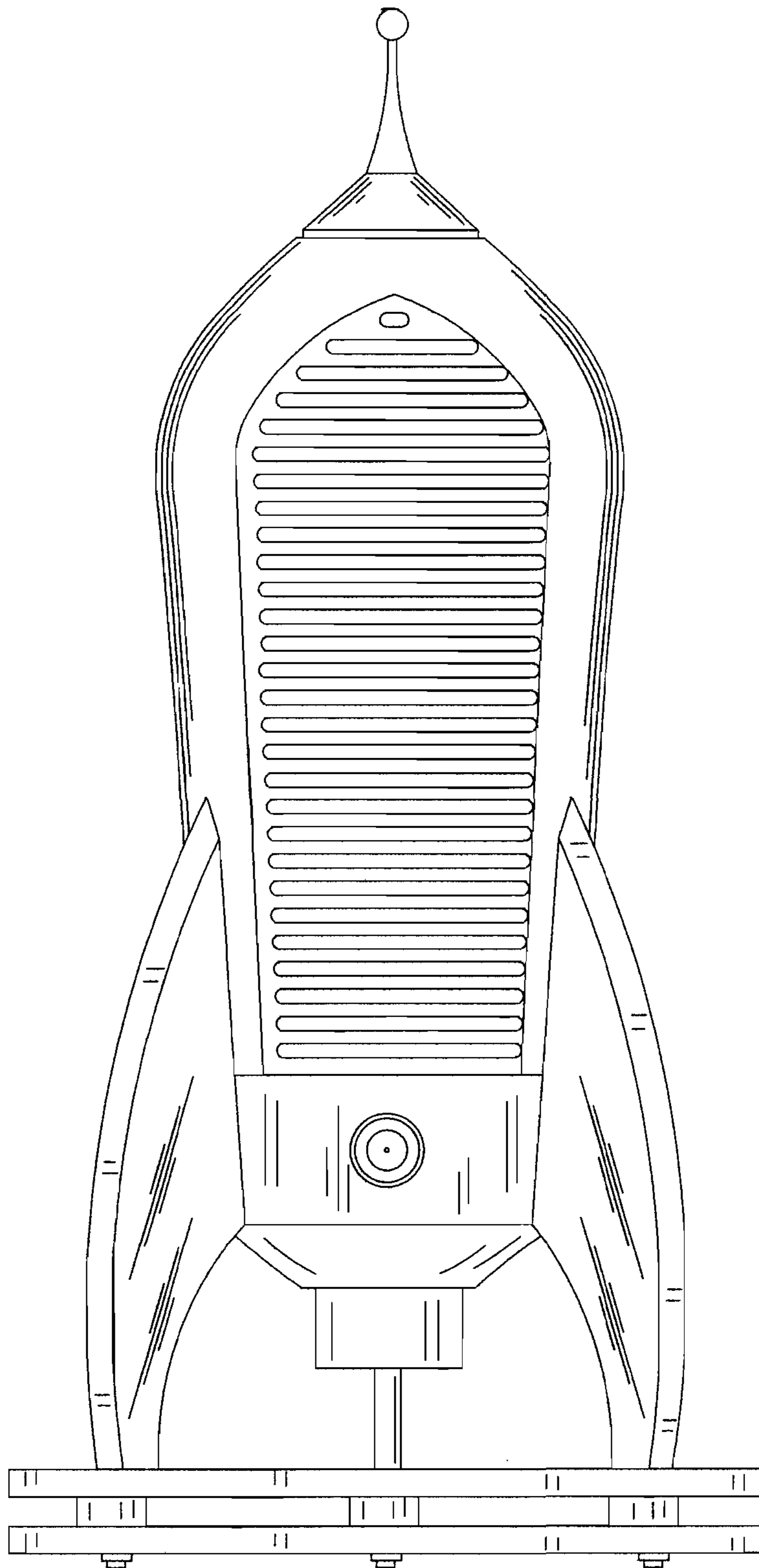


FIG 1

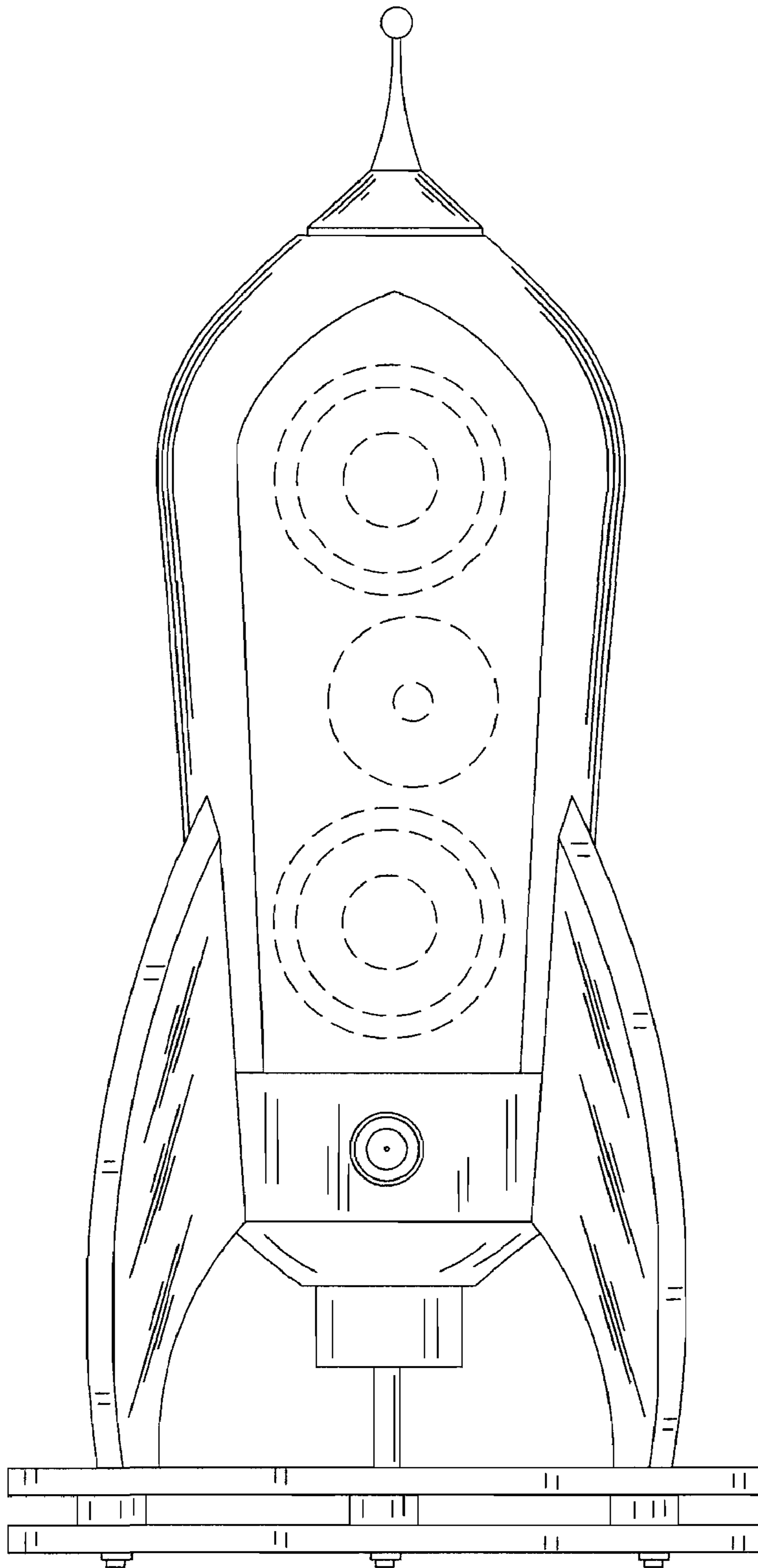


FIG 2

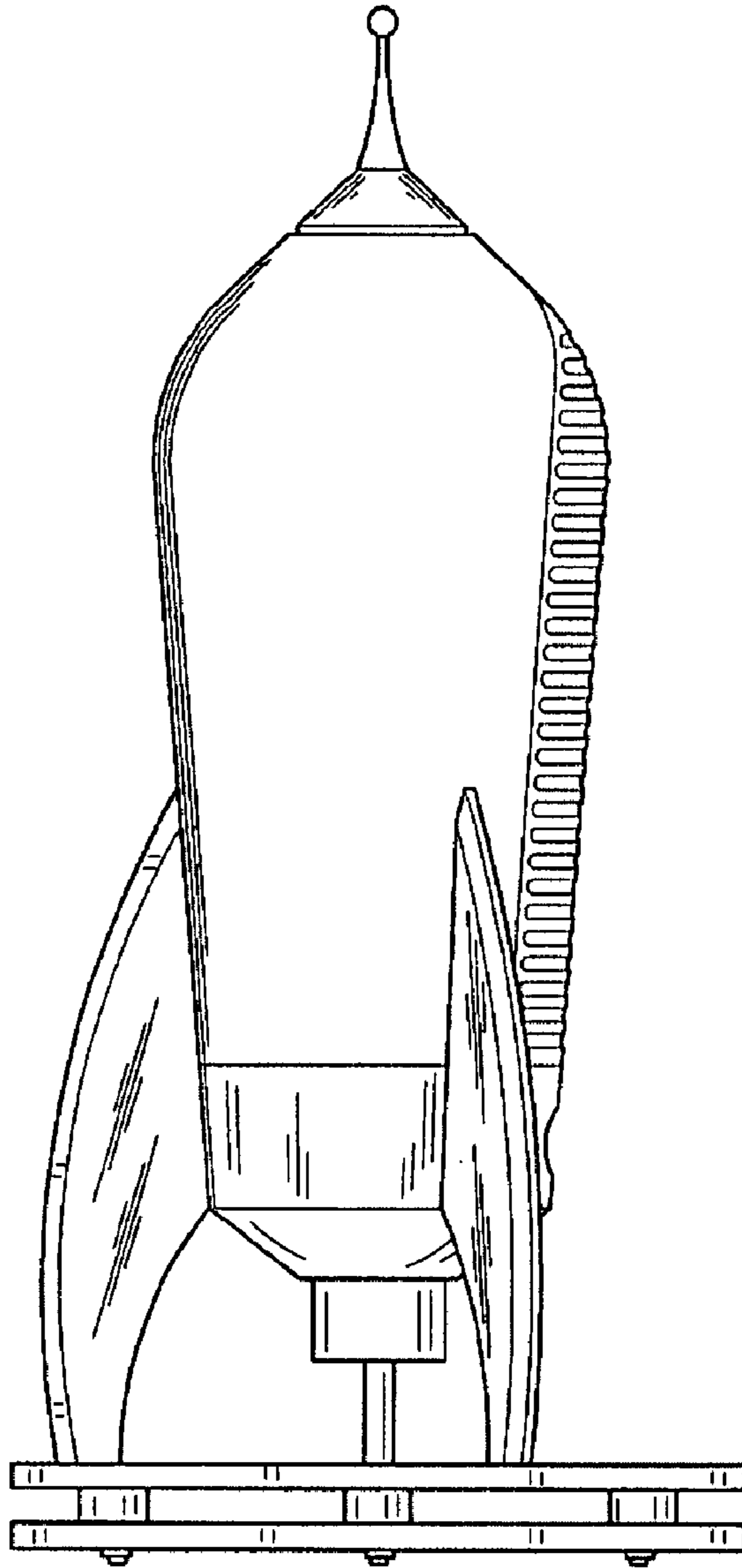


Fig. 3

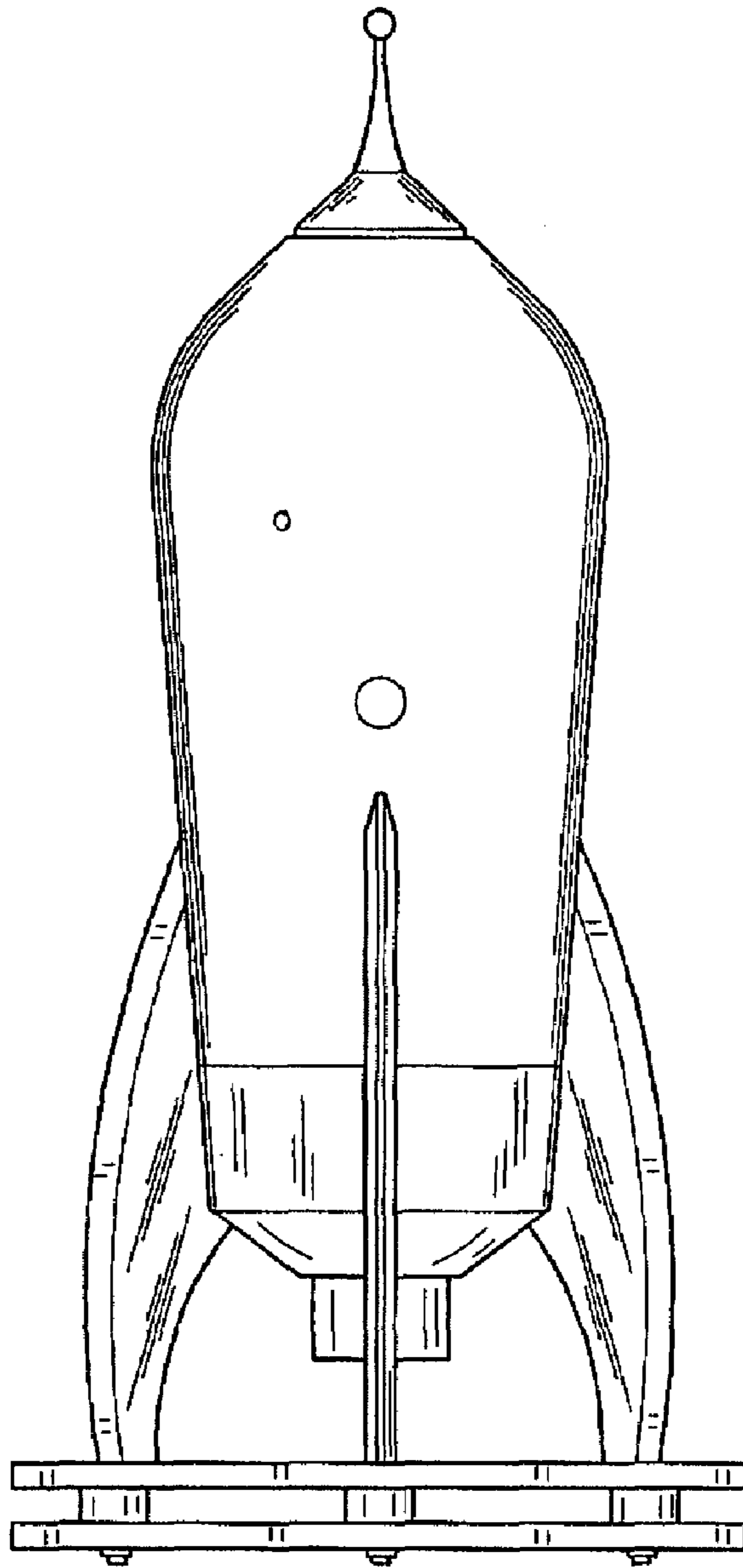


Fig. 4

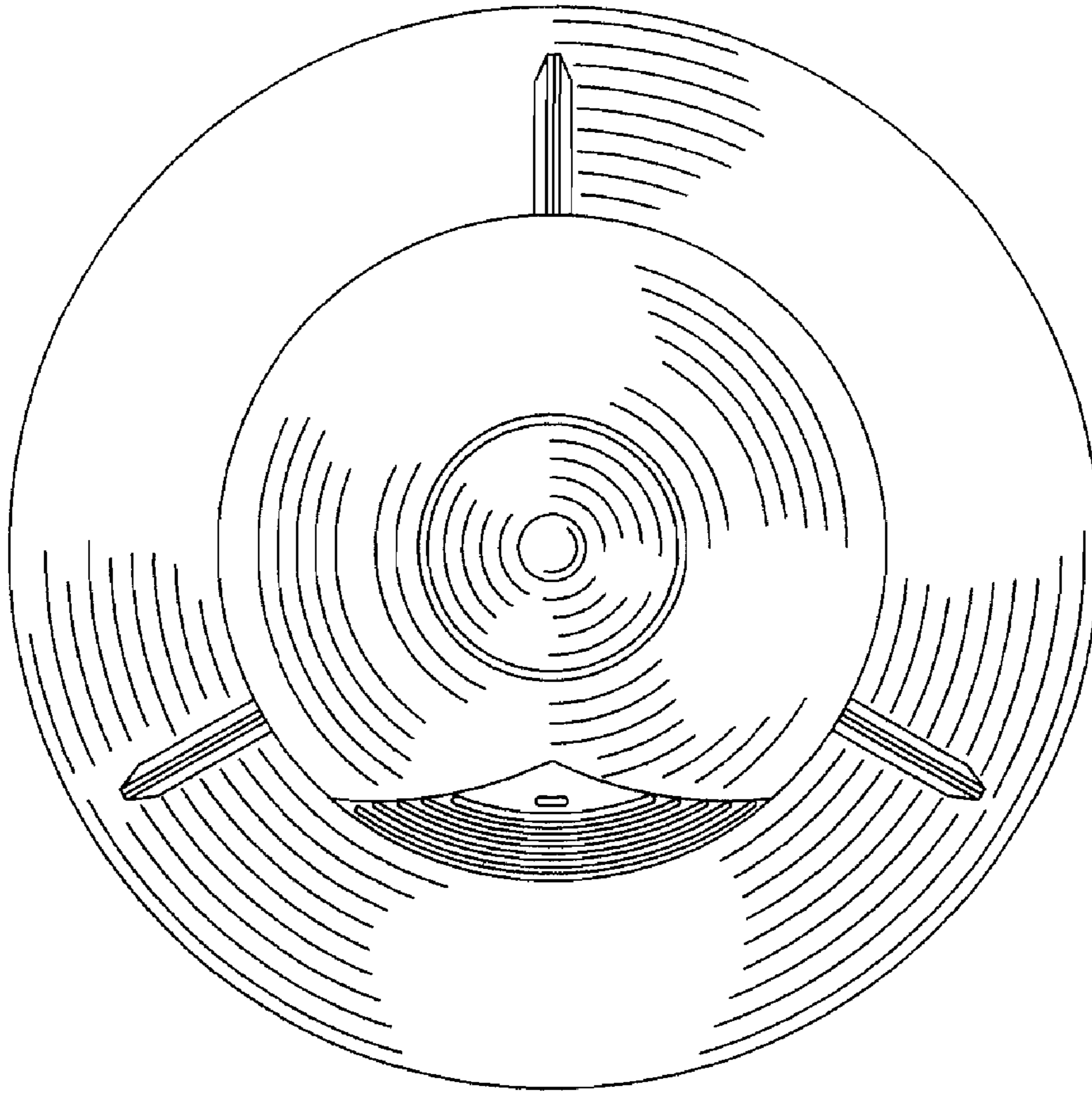


FIG 5

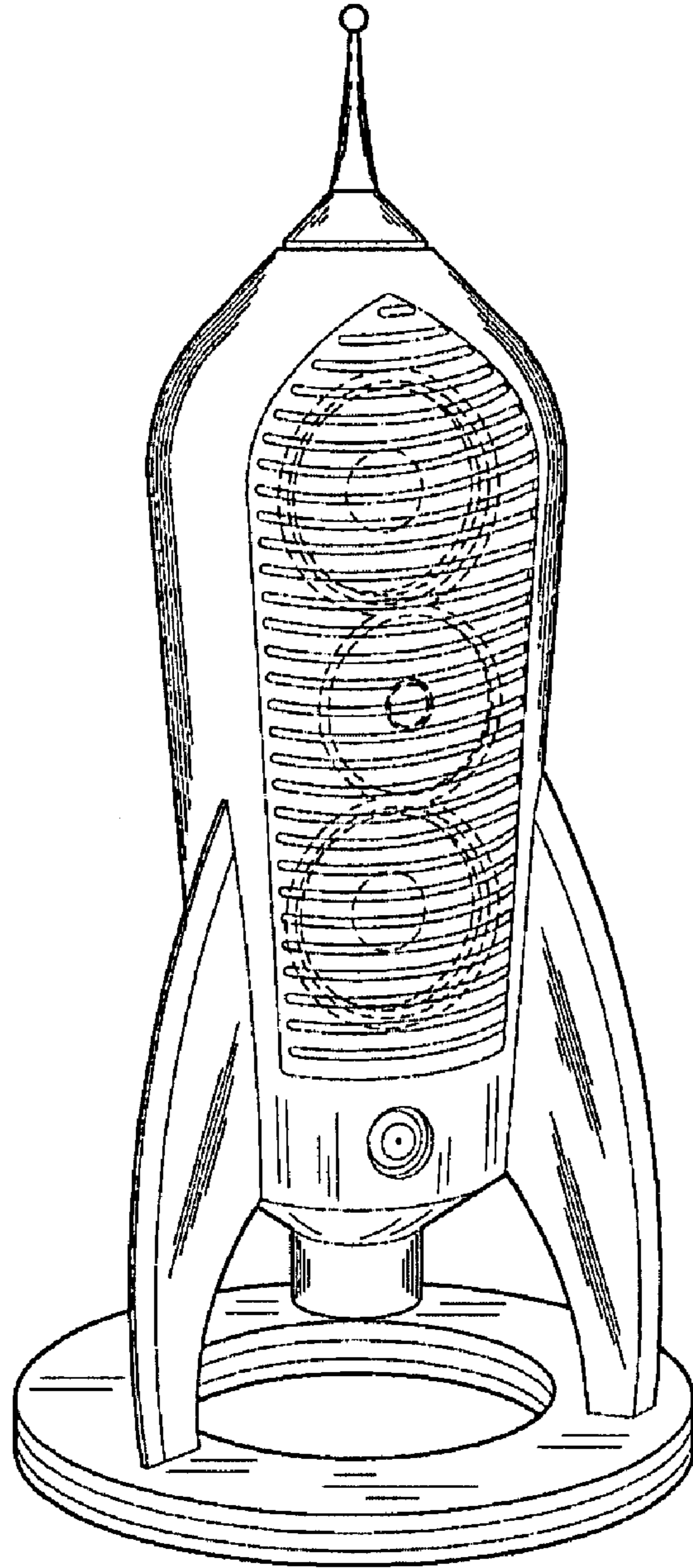


Fig. 6