

US00D591722S

(12) **United States Design Patent**
Densho

(10) **Patent No.:** **US D591,722 S**
(45) **Date of Patent:** **** May 5, 2009**

(54) **EARPHONE**

(75) Inventor: **Keiko Densho**, Tokyo (JP)

(73) Assignee: **Sony Corporation**, Tokyo (JP)

(**) Term: **14 Years**

(21) Appl. No.: **29/300,249**

(22) Filed: **Mar. 5, 2008**

(30) **Foreign Application Priority Data**

Sep. 7, 2007 (JP) D2007-024517

(51) **LOC (9) Cl.** **14-01**

(52) **U.S. Cl.** **D14/205**

(58) **Field of Classification Search** D14/192,
D14/205, 206, 223, 249; D24/174, 106;
2/209; D29/112; 181/129, 130, 132, 135,
181/137; 379/430, 420, 420.02, 420.04;
381/380, 381, 385, 322, 312; 455/550.1,
455/569.1, 575.1; 128/866

See application file for complete search history.

(56) **References Cited**

U.S. PATENT DOCUMENTS

968,008	A *	8/1910	Waller	128/866
2,804,932	A *	9/1957	Bedard	181/132
5,373,555	A *	12/1994	Norris et al.	379/430
5,812,659	A *	9/1998	Mauney et al.	379/430
D431,553	S	10/2000	Suzuki		
D435,036	S *	12/2000	Koss et al.	D14/223
D457,514	S *	5/2002	Marion et al.	D14/223
D474,171	S	5/2003	Suzuki		
D485,548	S	1/2004	Obata		
D487,077	S	2/2004	Obata		

D519,107	S *	4/2006	Yang	D14/223
D542,782	S *	5/2007	Pena Angarita	D14/223
D550,657	S *	9/2007	Gan et al.	D14/223
D554,627	S *	11/2007	Gondo	D14/223
D555,152	S *	11/2007	Wang	D14/223
D557,689	S *	12/2007	Huang	D14/223
D567,217	S *	4/2008	Kamo et al.	D14/205
D569,841	S *	5/2008	Chung et al.	D14/205
D572,703	S *	7/2008	Ledbetter et al.	D14/205
D573,978	S *	7/2008	Ledbetter et al.	D14/205
D576,154	S *	9/2008	Ledbetter et al.	D14/223

* cited by examiner

Primary Examiner—Paula Greene

(74) *Attorney, Agent, or Firm*—Rader, Fishman & Grauer, PLLC

(57) **CLAIM**

The ornamental design for an earphone, as shown and described.

DESCRIPTION

FIG. 1 is a perspective view of an earphone showing my new design;

FIG. 2 is a front elevational view thereof;

FIG. 3 is a rear elevational view thereof;

FIG. 4 is a left side elevational view thereof;

FIG. 5 is a right side elevational view thereof;

FIG. 6 is a top plan view thereof; and,

FIG. 7 is a bottom plan view thereof.

The portions indicated in broken lines are for illustrative purposes only and form no part of the claimed design.

1 Claim, 7 Drawing Sheets

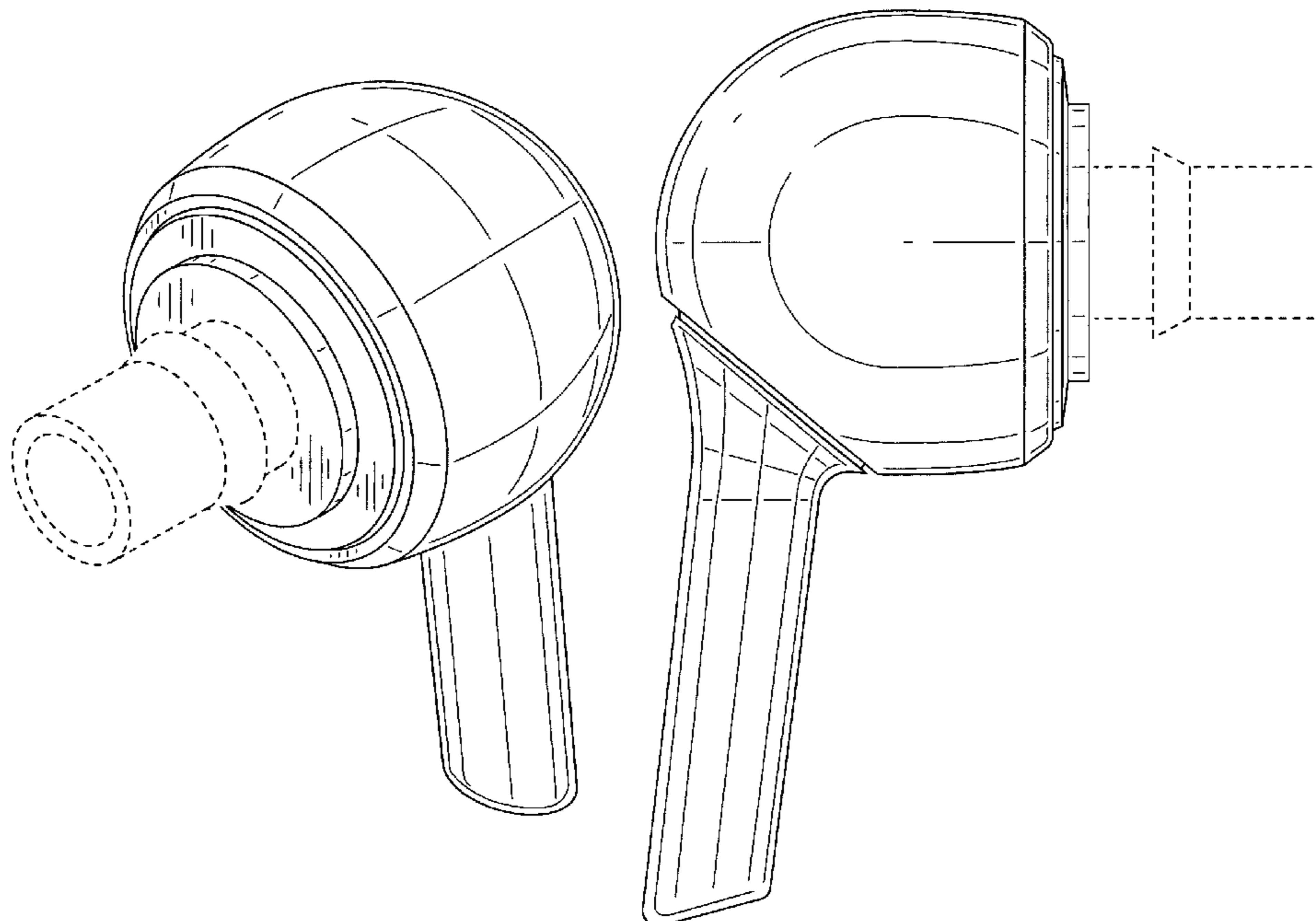


FIG.1

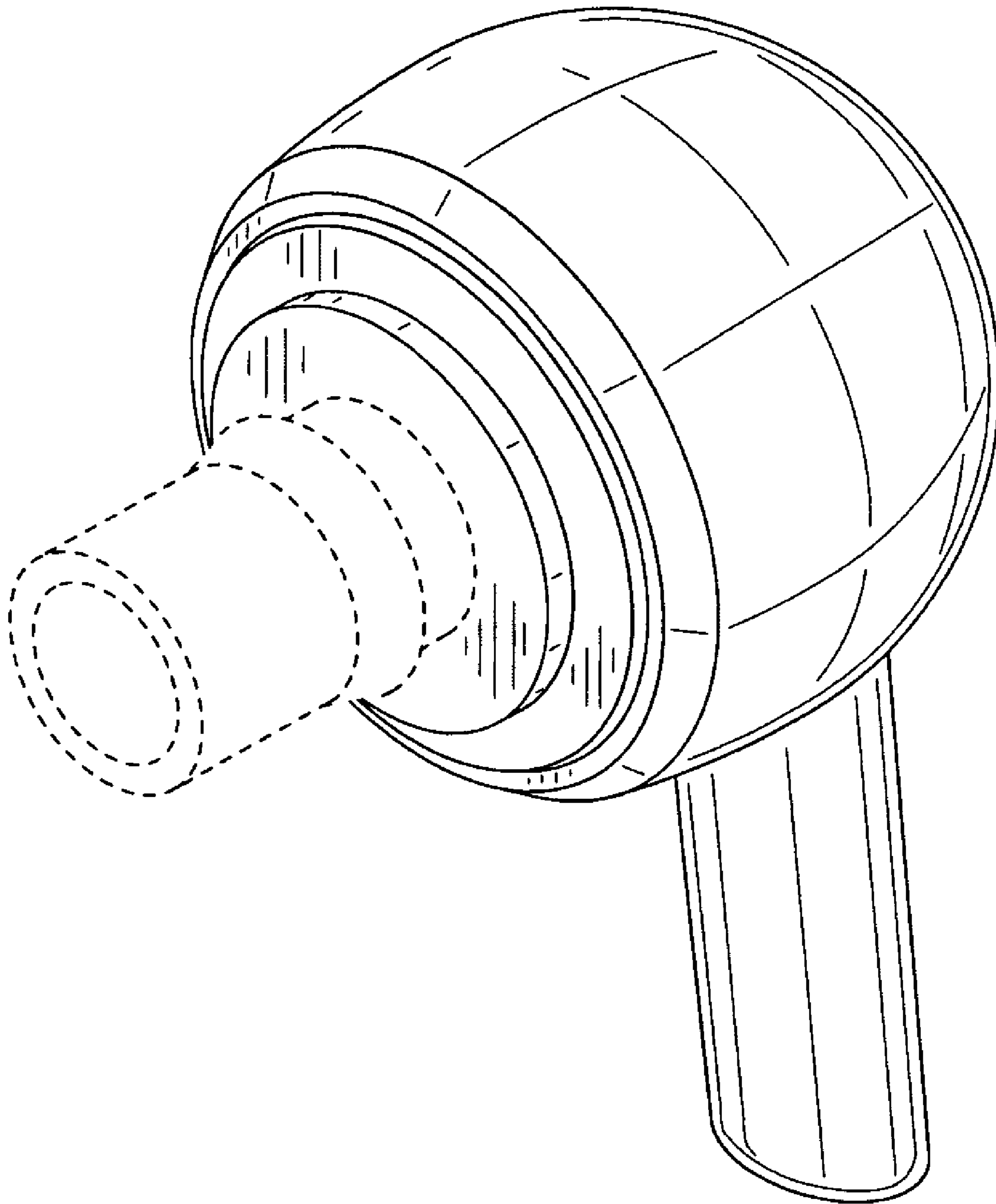


FIG.2

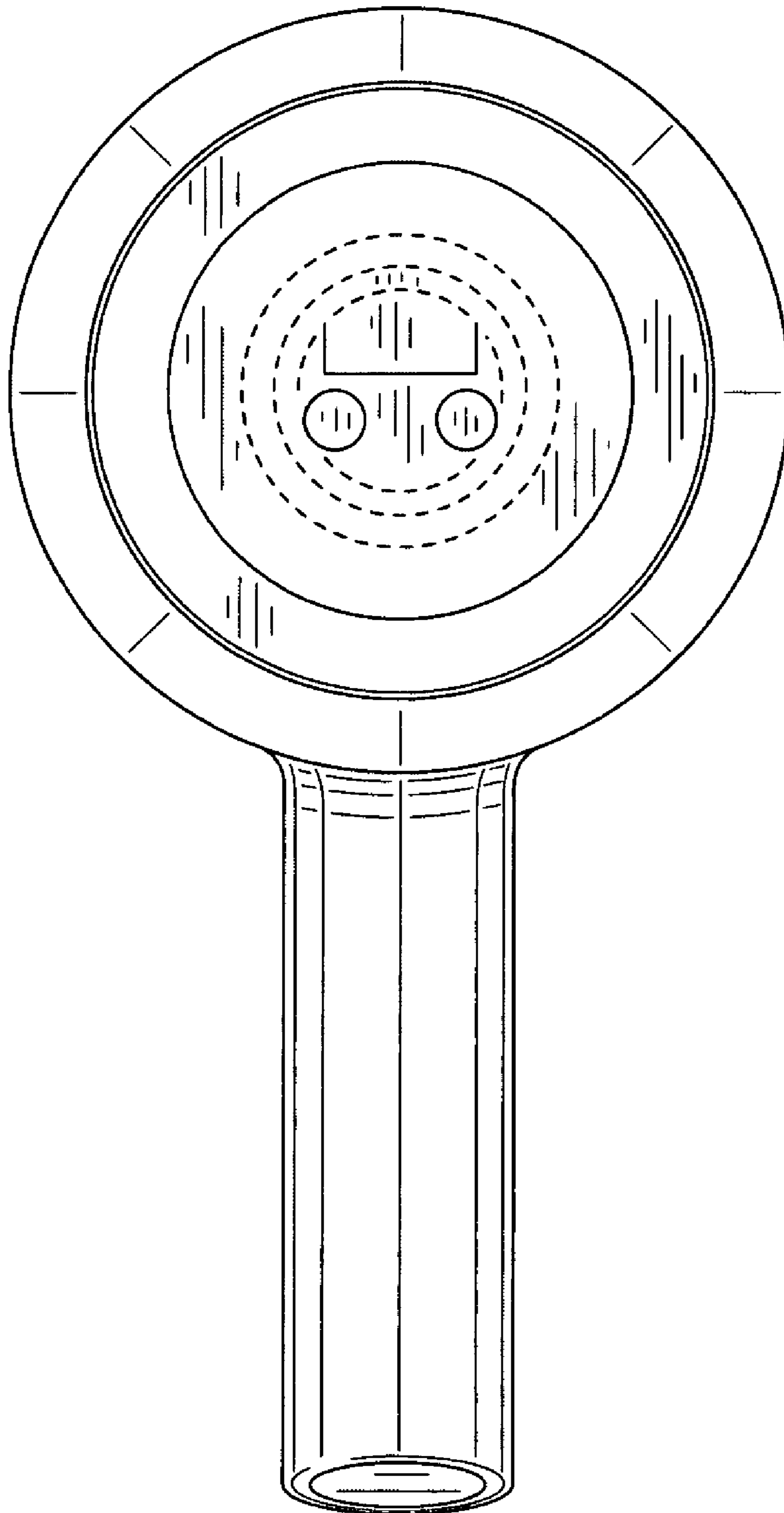


FIG.3

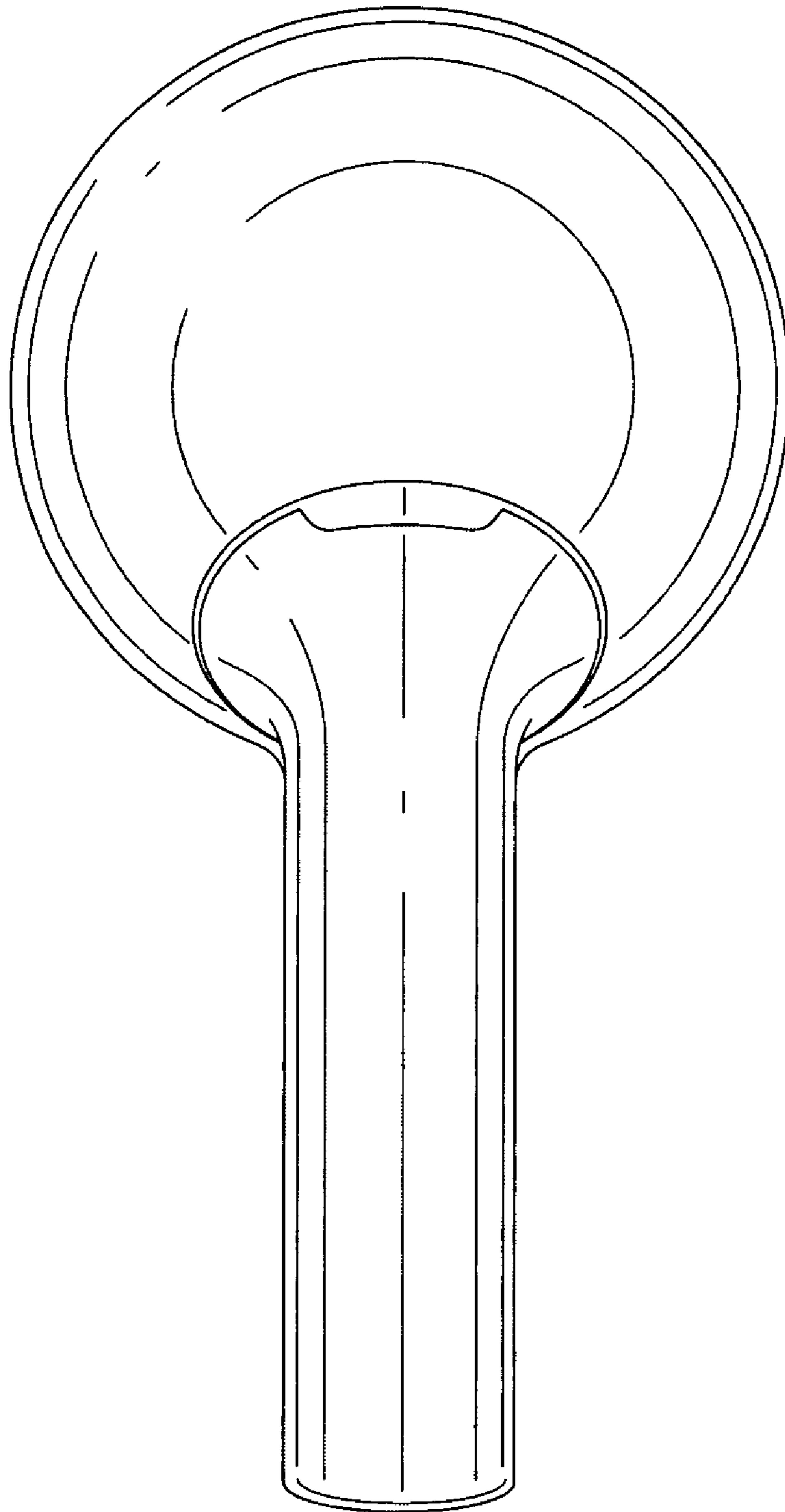


FIG.4

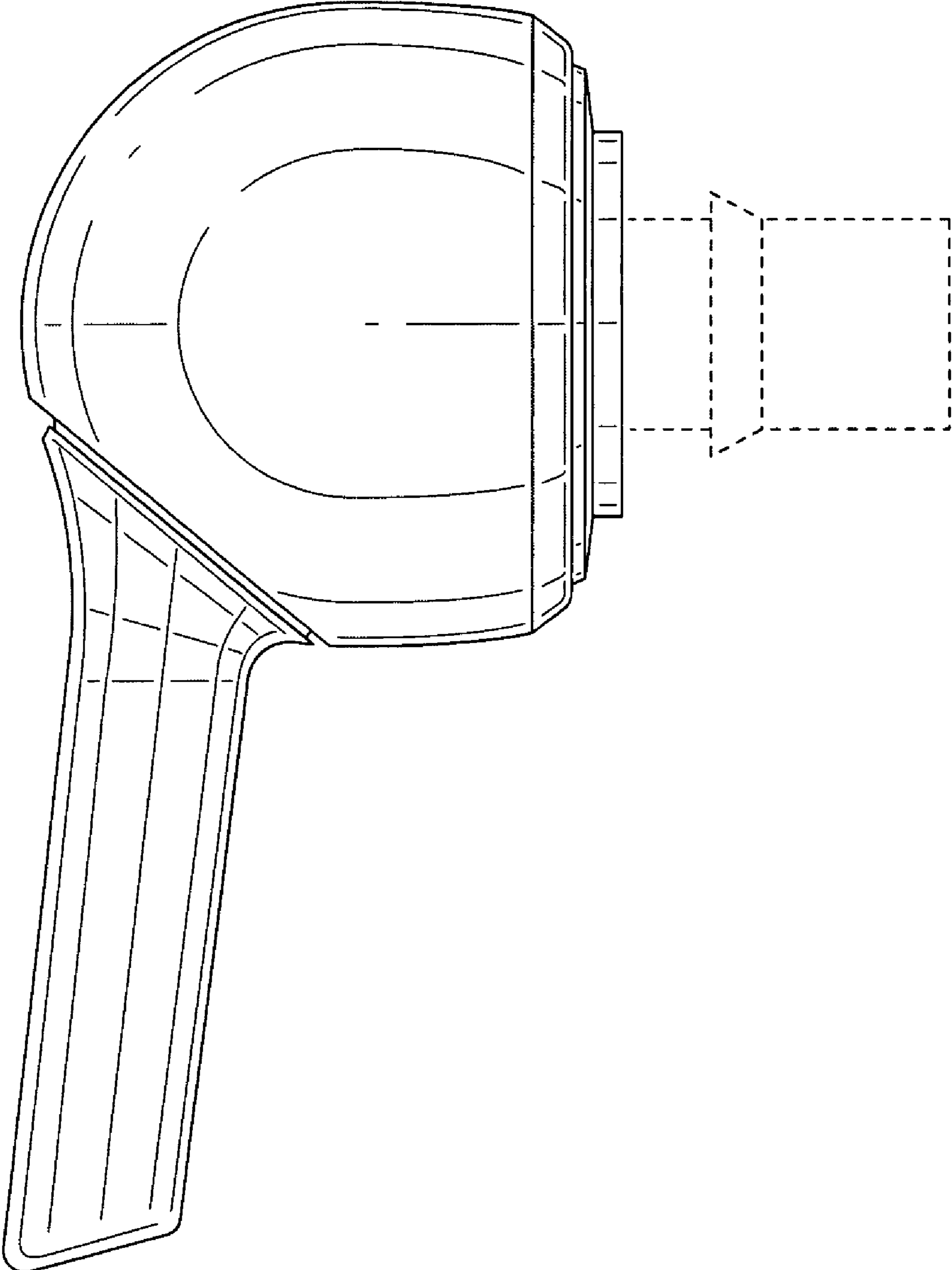


FIG.5

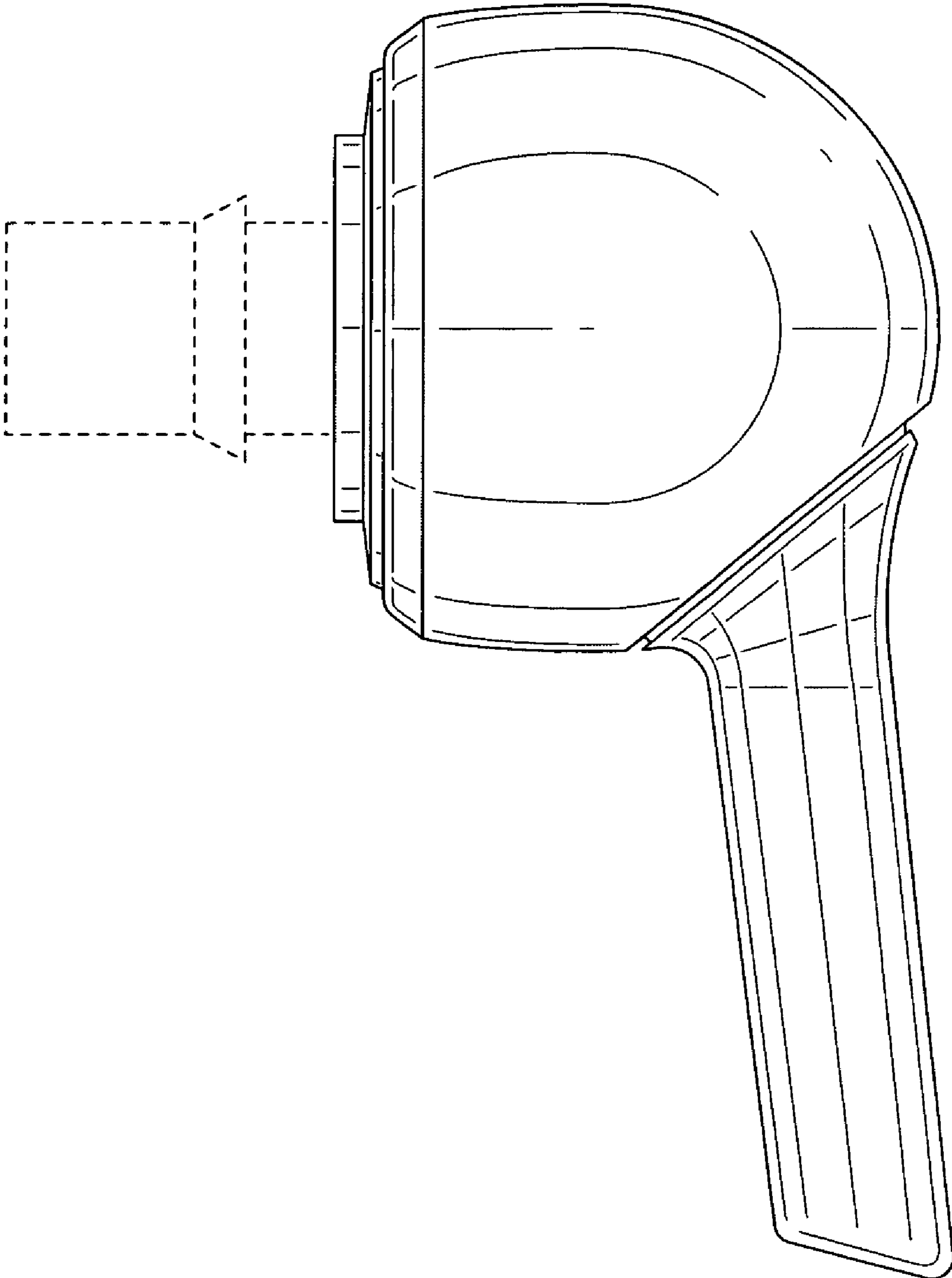


FIG.6

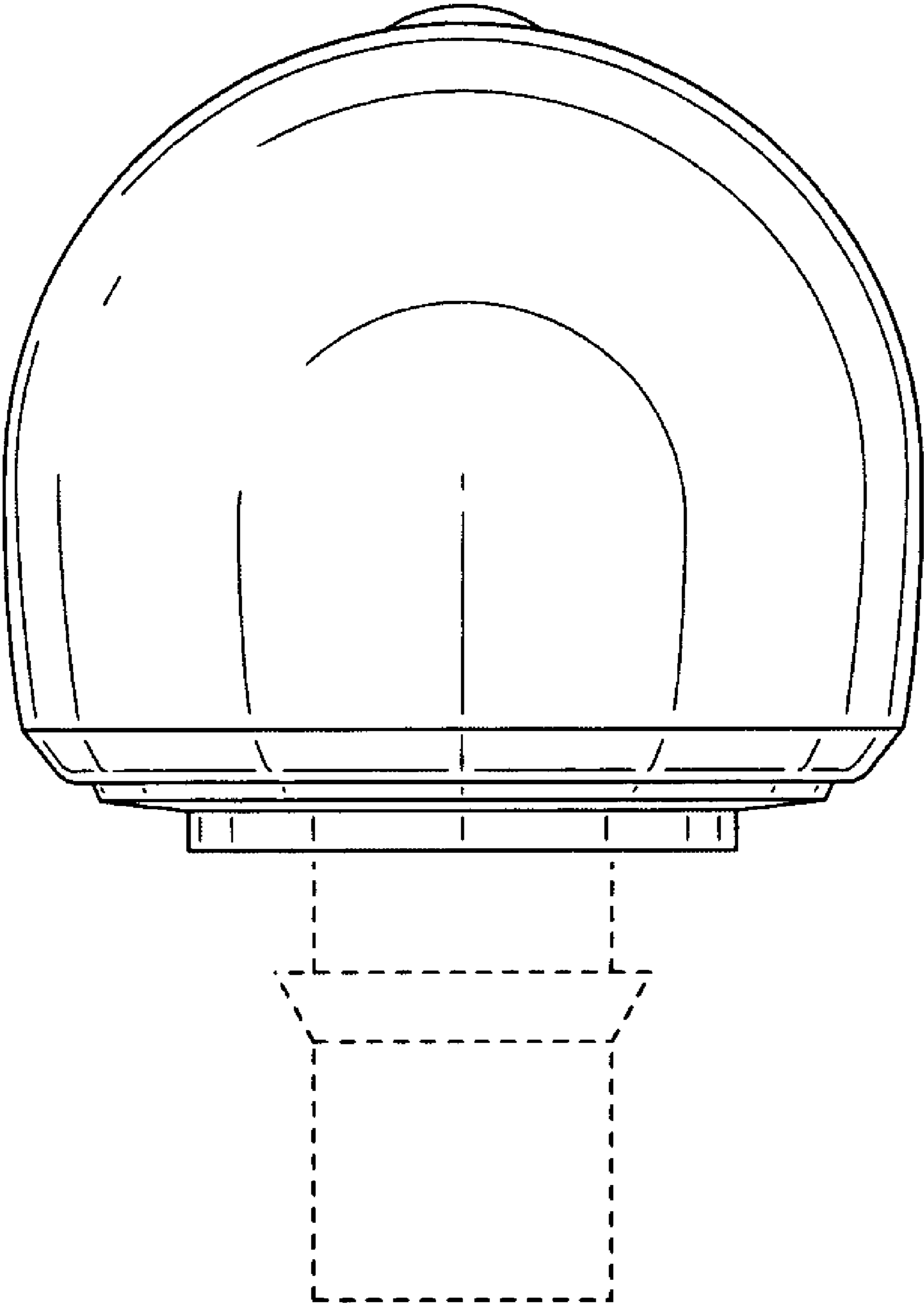


FIG.7

