



US00D591720S

(12) **United States Design Patent**
Motoishi

(10) **Patent No.:** **US D591,720 S**

(45) **Date of Patent:** **** May 5, 2009**

(54) **COMBINED DISC PLAYER, TUNER,
AMPLIFIER, MIXER AND DOCKING
SYSTEM FOR MEDIA PLAYER**

D478,894 S 8/2003 Oikawa
D500,307 S * 12/2004 Ishizaki D14/217
D540,781 S * 4/2007 Patel et al. D14/214
D553,608 S 10/2007 Williamson et al.
D555,148 S * 11/2007 Mittersinker et al. D14/217

(75) Inventor: **Takuya Motoishi**, Tokyo (JP)

* cited by examiner

(73) Assignee: **Sony Corporation**, Tokyo (JP)

Primary Examiner—Nanda Bondade
(74) *Attorney, Agent, or Firm*—Rader, Fishman & Grauer,
PLLC

(**) Term: **14 Years**

(21) Appl. No.: **29/309,193**

(22) Filed: **Jul. 7, 2008**

(57) **CLAIM**

(30) **Foreign Application Priority Data**

Jan. 14, 2008 (CN) 2008 3 0001658

The ornamental design for a combined disc player, tuner, amplifier, mixer and docking system for media player, as shown.

(51) **LOC (9) Cl.** **14-01**

DESCRIPTION

(52) **U.S. Cl.** **D14/168; D14/217**

(58) **Field of Classification Search** D14/496,
D14/162, 167–168, 188, 197–198, 217, 172,
D14/214; 84/625, 660, 697; 369/75.11,
369/75.21, 77.11, 77.21; 381/118–120; 455/344,
455/347–351

FIG. 1 is a perspective view of a combined disc player, tuner, amplifier, mixer and docking system for media player showing my new design;

FIG. 2 is a front elevational view thereof;

FIG. 3 is a rear elevational view thereof;

FIG. 4 is a left side elevational view thereof;

FIG. 5 is a right side elevational view thereof;

FIG. 6 is a top plan view thereof; and,

FIG. 7 is a bottom plan view thereof.

See application file for complete search history.

(56) **References Cited**

U.S. PATENT DOCUMENTS

D423,508 S 4/2000 Nakajima
D434,397 S 11/2000 Sasago
D454,855 S * 3/2002 Nakane D14/168

1 Claim, 7 Drawing Sheets

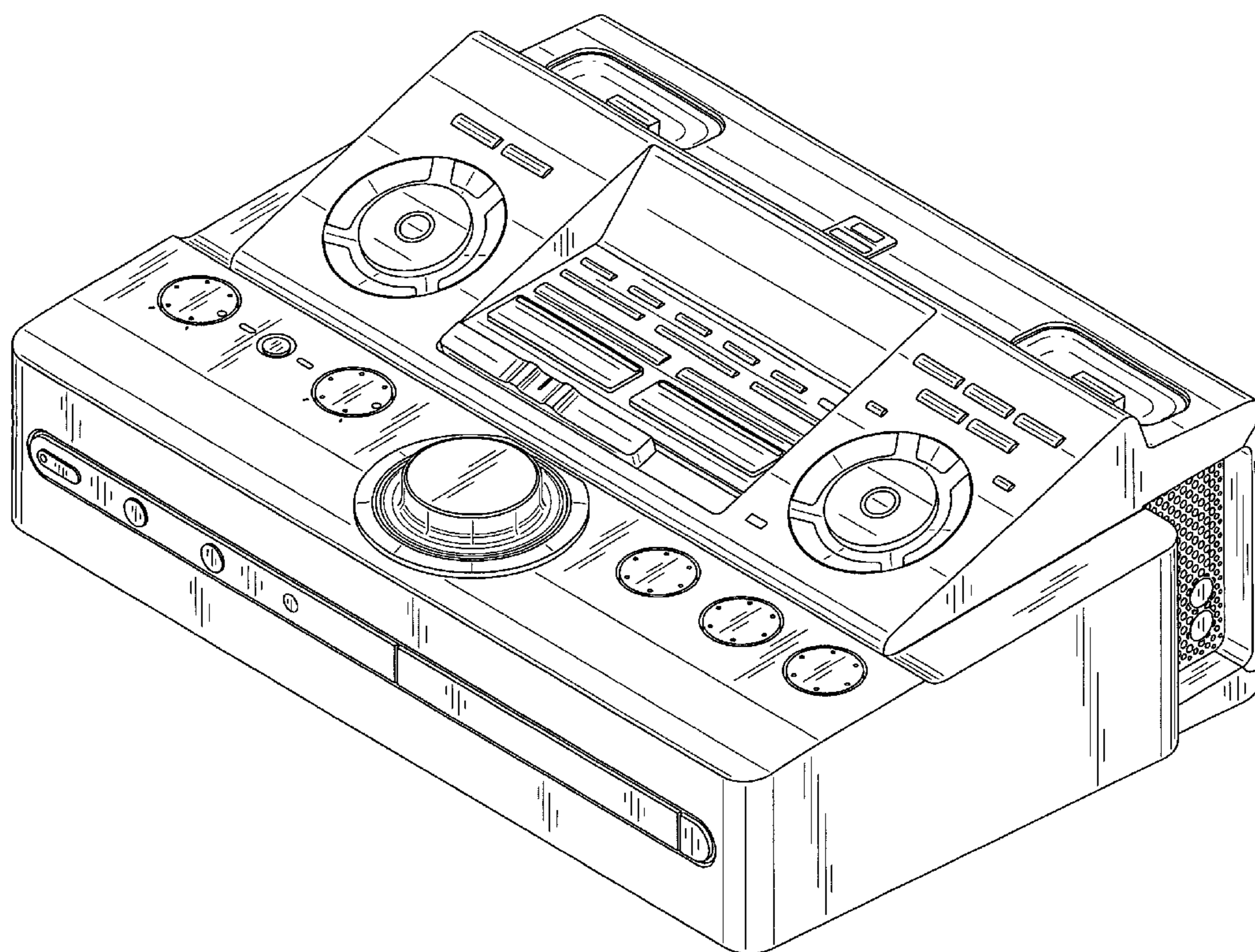


FIG.1

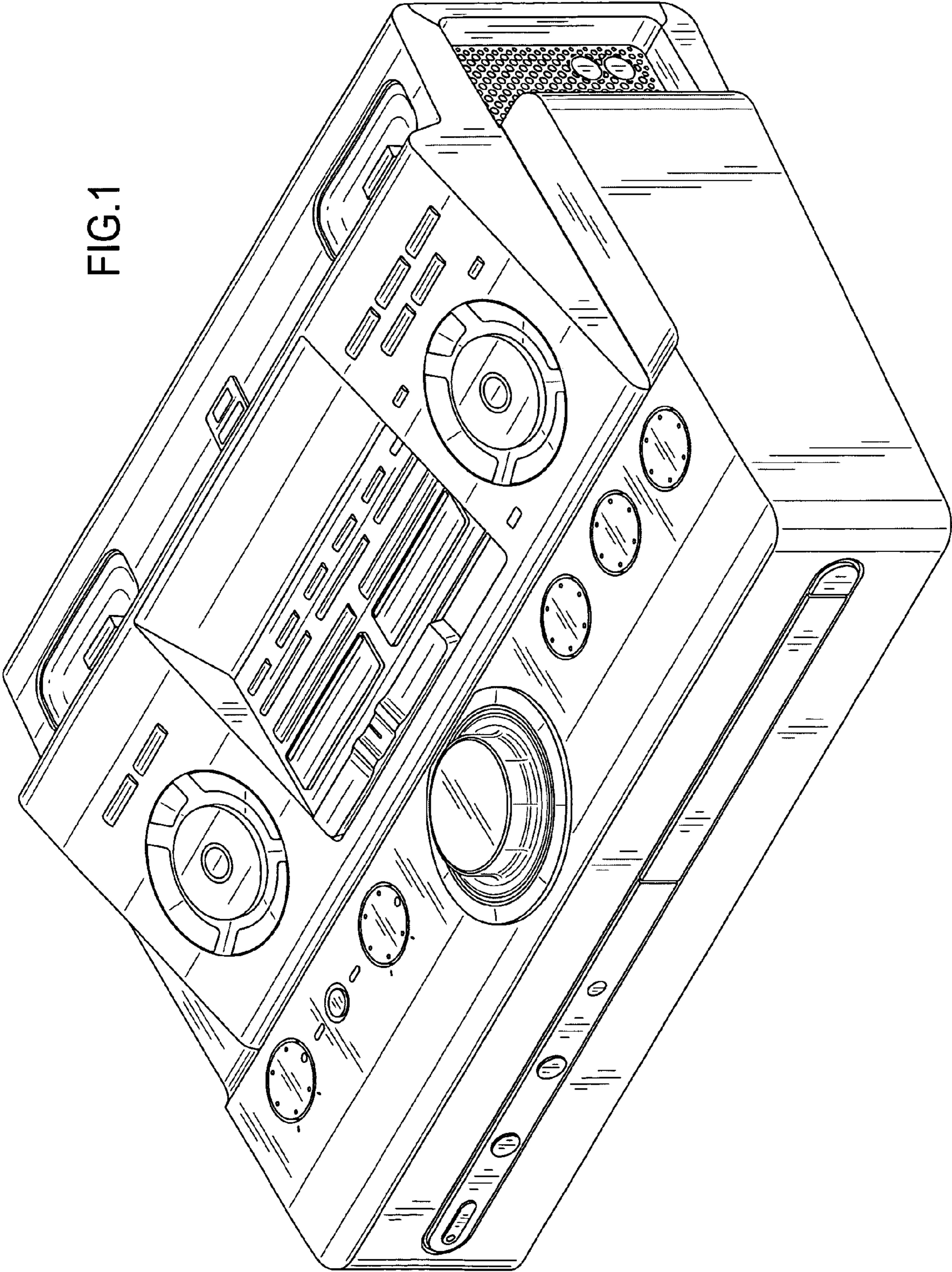


FIG.2

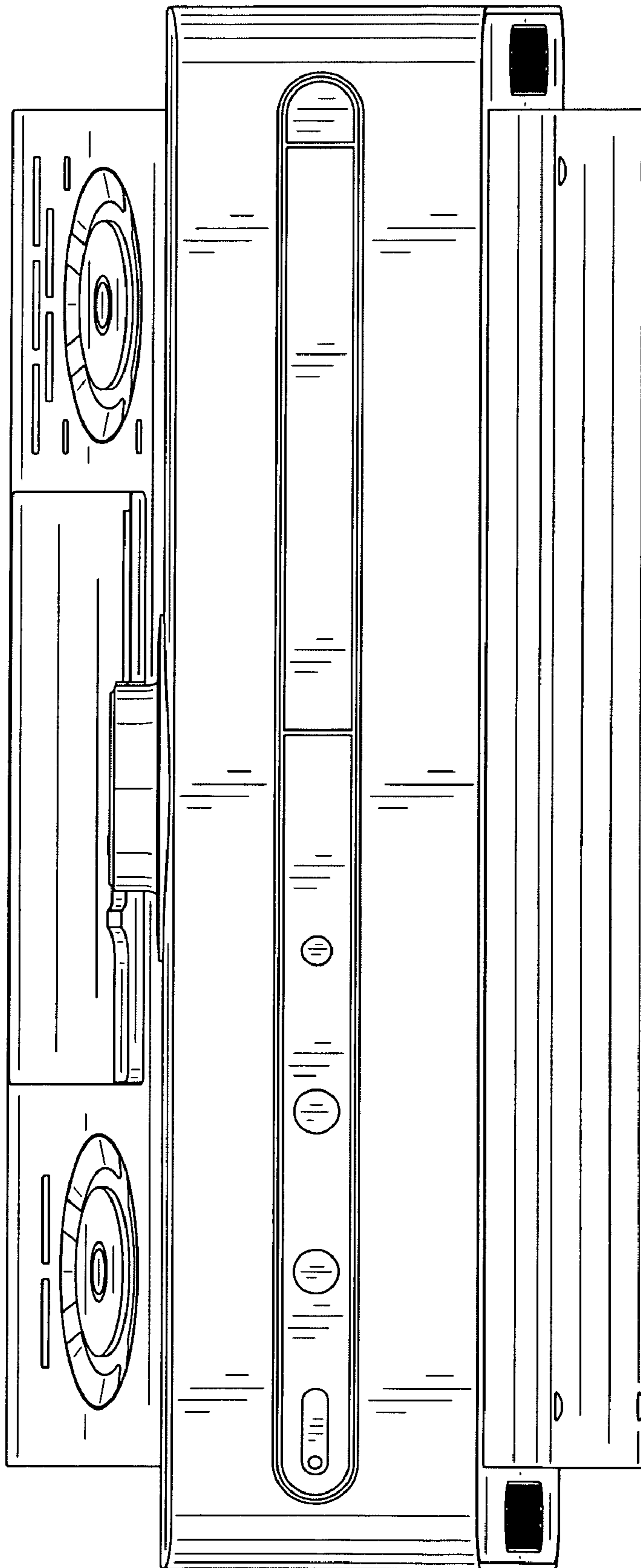


FIG.3

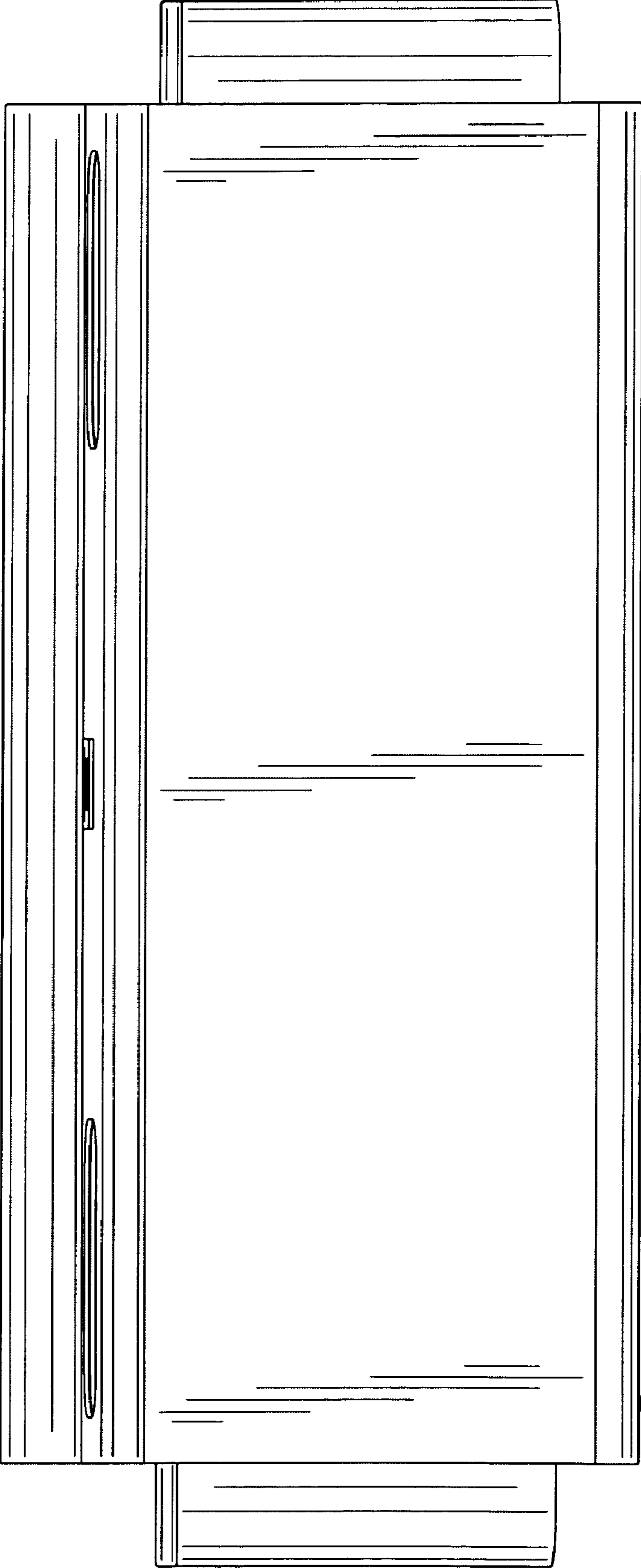


FIG.4

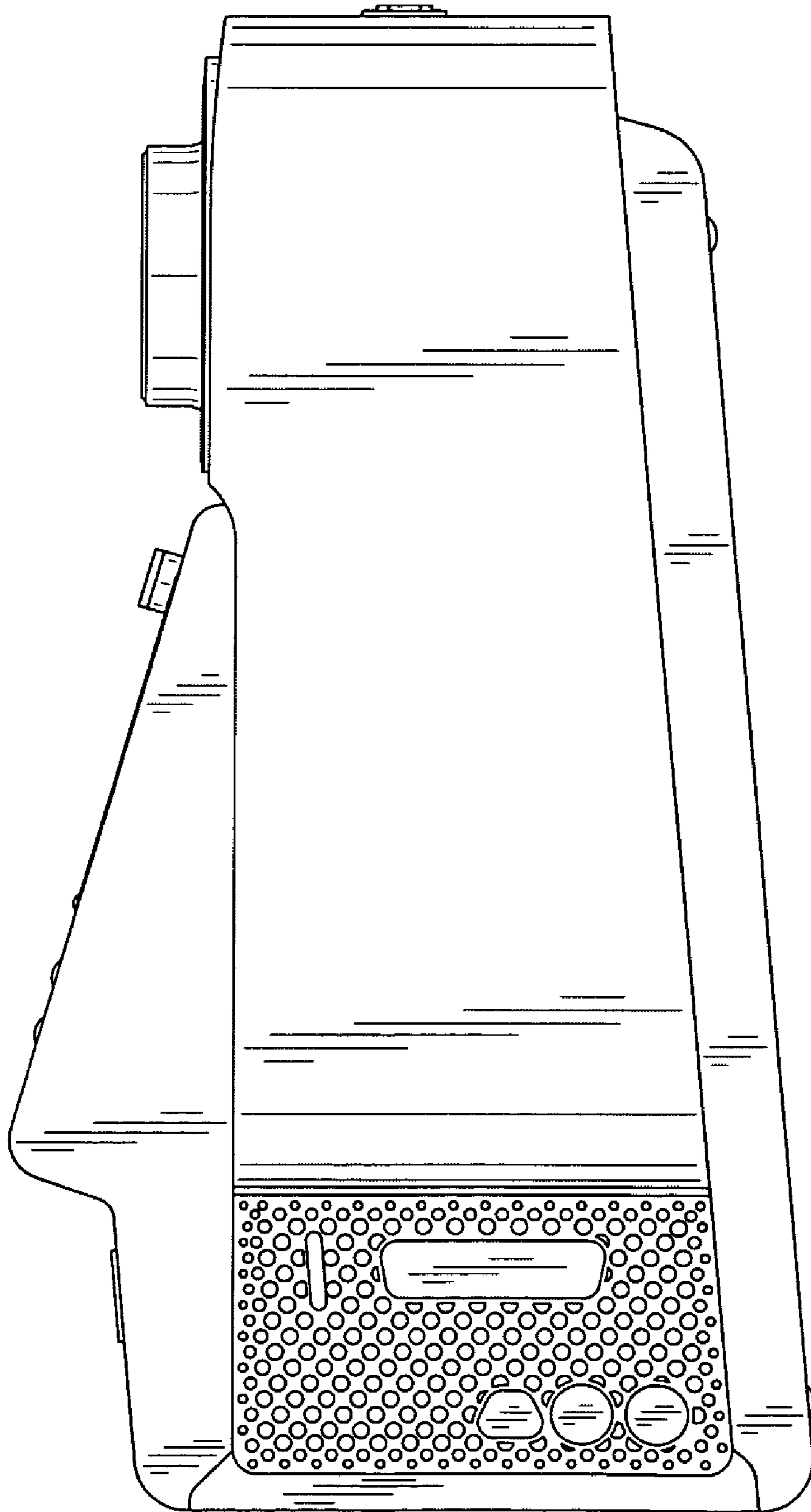
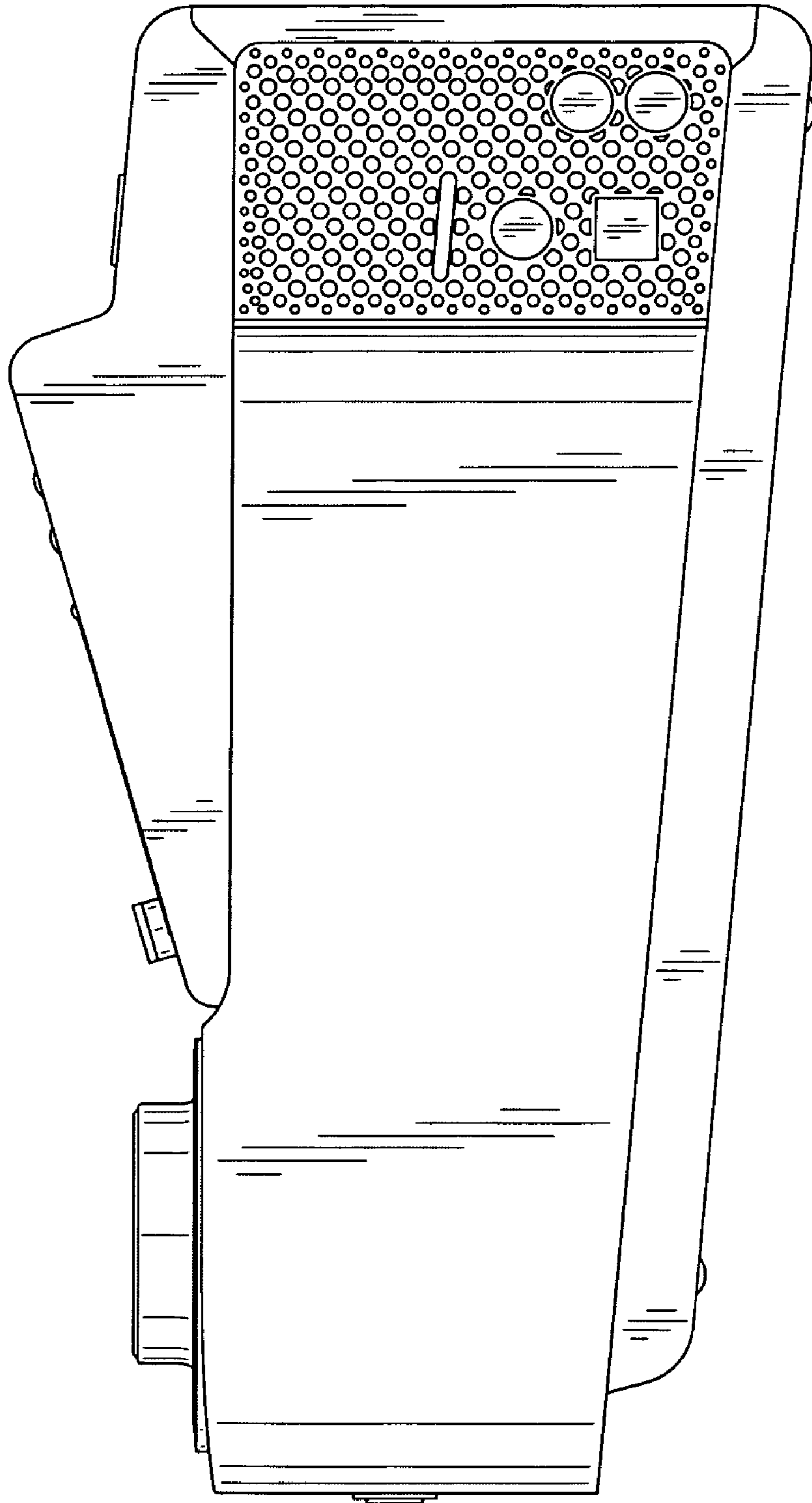


FIG.5



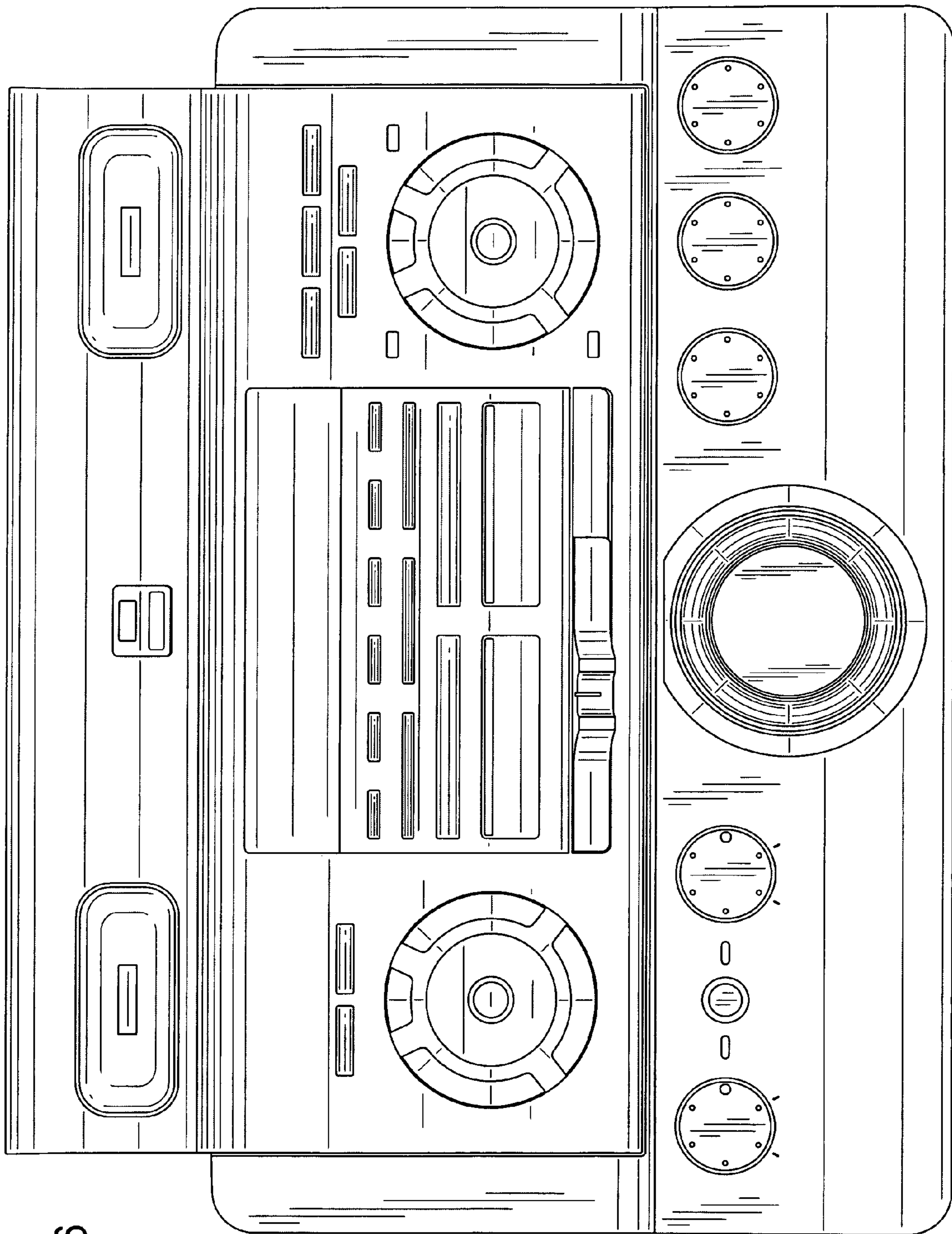


FIG.6

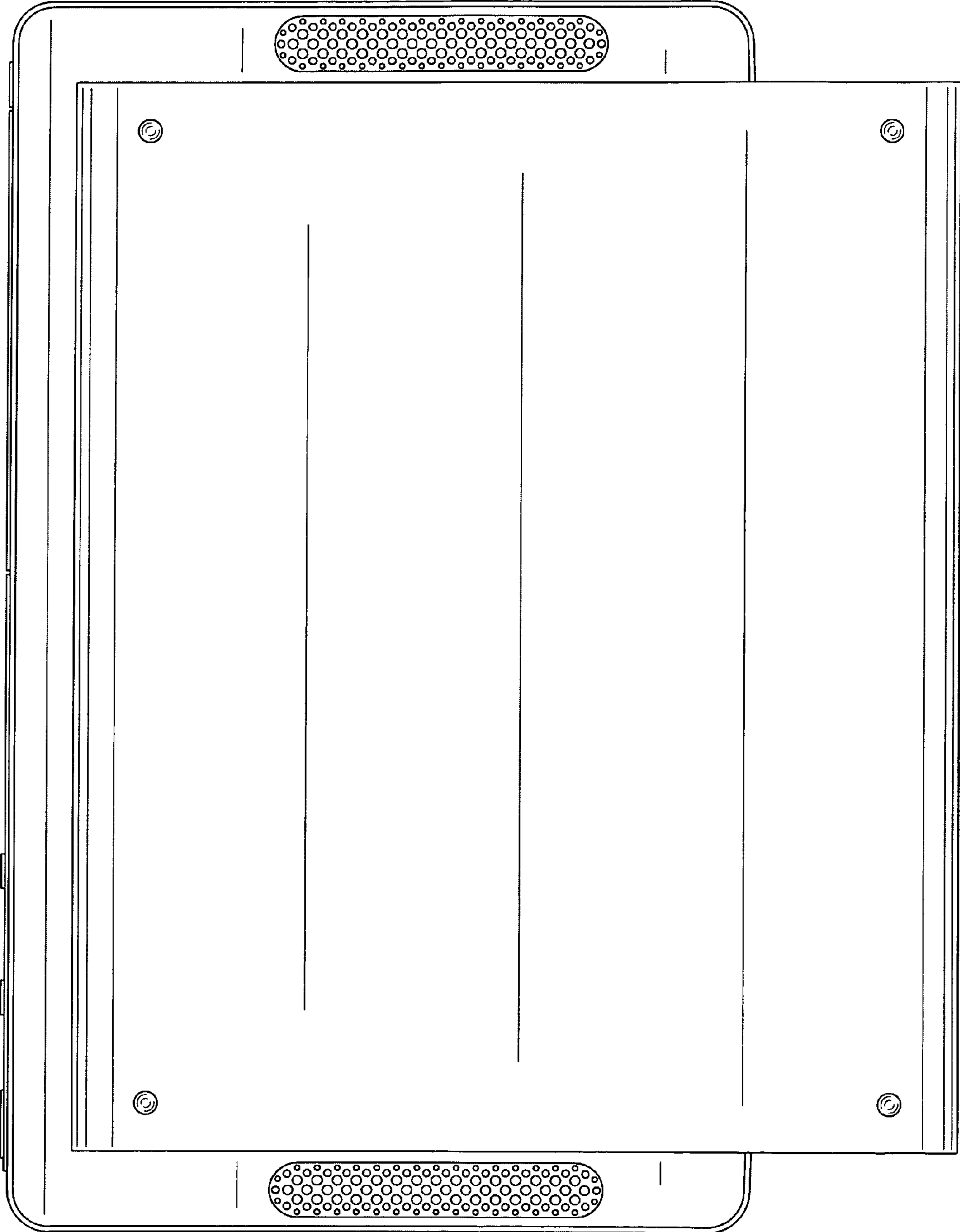


FIG.7