



US00D591718S

(12) **United States Design Patent**  
**Youn et al.**

(10) **Patent No.:** **US D591,718 S**

(45) **Date of Patent:** **\*\* May 5, 2009**

(54) **PORTABLE PHONE**

(75) Inventors: **Ji-Hye Youn**, Seongnam-Si (KR);  
**Beom-Ku Han**, Seoul (KR); **Chang-Soo Lee**, Incheon-Si (KR)

(73) Assignee: **Samsung Electronics Co., Ltd.**,  
Suwon-Si (KR)

(\*\*) Term: **14 Years**

(21) Appl. No.: **29/324,896**

(22) Filed: **Sep. 23, 2008**

(30) **Foreign Application Priority Data**

Aug. 6, 2008 (KR) ..... 30-2008-0034165

(51) **LOC (9) Cl.** ..... **14-03**

(52) **U.S. Cl.** ..... **D14/138 AB**

(58) **Field of Classification Search** ..... D14/138 AB,  
D14/496, 341-347; 455/575.3

See application file for complete search history.

(56) **References Cited**

**U.S. PATENT DOCUMENTS**

D489,699	S	*	5/2004	Hwang et al.	.....	D14/138 AB
D501,189	S	*	1/2005	Lodato et al.	.....	D14/138 AB
D501,839	S	*	2/2005	Lee et al.	.....	D14/138 AB
D512,398	S	*	12/2005	Chen et al.	.....	D14/138 AB
D512,975	S	*	12/2005	Tsai et al.	.....	D14/138 AB
D545,284	S	*	6/2007	Kim et al.	.....	D14/138 AB
D557,230	S	*	12/2007	Kim et al.	.....	D14/138 AB
D558,169	S	*	12/2007	Chung et al.	.....	D14/138 AB
D559,213	S	*	1/2008	Fahlgren et al.	.....	D14/138 AB
D563,349	S	*	3/2008	Kim et al.	.....	D14/138 AB
D563,927	S	*	3/2008	Kim et al.	.....	D14/138 AB
D565,005	S	*	3/2008	Kim et al.	.....	D14/138 AB
D567,796	S	*	4/2008	Jeong et al.	.....	D14/138 AB
D569,832	S	*	5/2008	Lee et al.	.....	D14/138 AB
D570,814	S	*	6/2008	Choi et al.	.....	D14/138 AB
D571,342	S	*	6/2008	Cho et al.	.....	D14/138

D572,691	S	*	7/2008	Song et al.	.....	D14/138
D573,966	S	*	7/2008	Park et al.	.....	D14/138
D576,586	S	*	9/2008	Song et al.	.....	D14/138 AB
D578,978	S	*	10/2008	Kim et al.	.....	D14/138 R
D579,436	S	*	10/2008	Kim et al.	.....	D14/138 R
D580,389	S	*	11/2008	Song et al.	.....	D14/138 R
D580,402	S	*	11/2008	Lee et al.	.....	D14/138 AB
D581,891	S	*	12/2008	Baik et al.	.....	D14/138 R
D582,883	S	*	12/2008	Koh et al.	.....	D14/138 R
2004/0248625	A1	*	12/2004	Yoshida et al.	.....	455/575.1

**OTHER PUBLICATIONS**

Samsung U810 Renown telephone, announced Nov. 2008, [online], [site visited Dec. 19, 2008]. Available from Internet, <URL: http://www.gsmarena.com>.\*

LG F2250 telephone, announced 3<sup>rd</sup> 2005, [online], [site visited Dec. 19, 2008]. Available from Internet, <URL: http://www.gsmarena.com>.\*

(Continued)

*Primary Examiner*—Jeffrey D Asch

(74) *Attorney, Agent, or Firm*—Staas & Halsey LLP

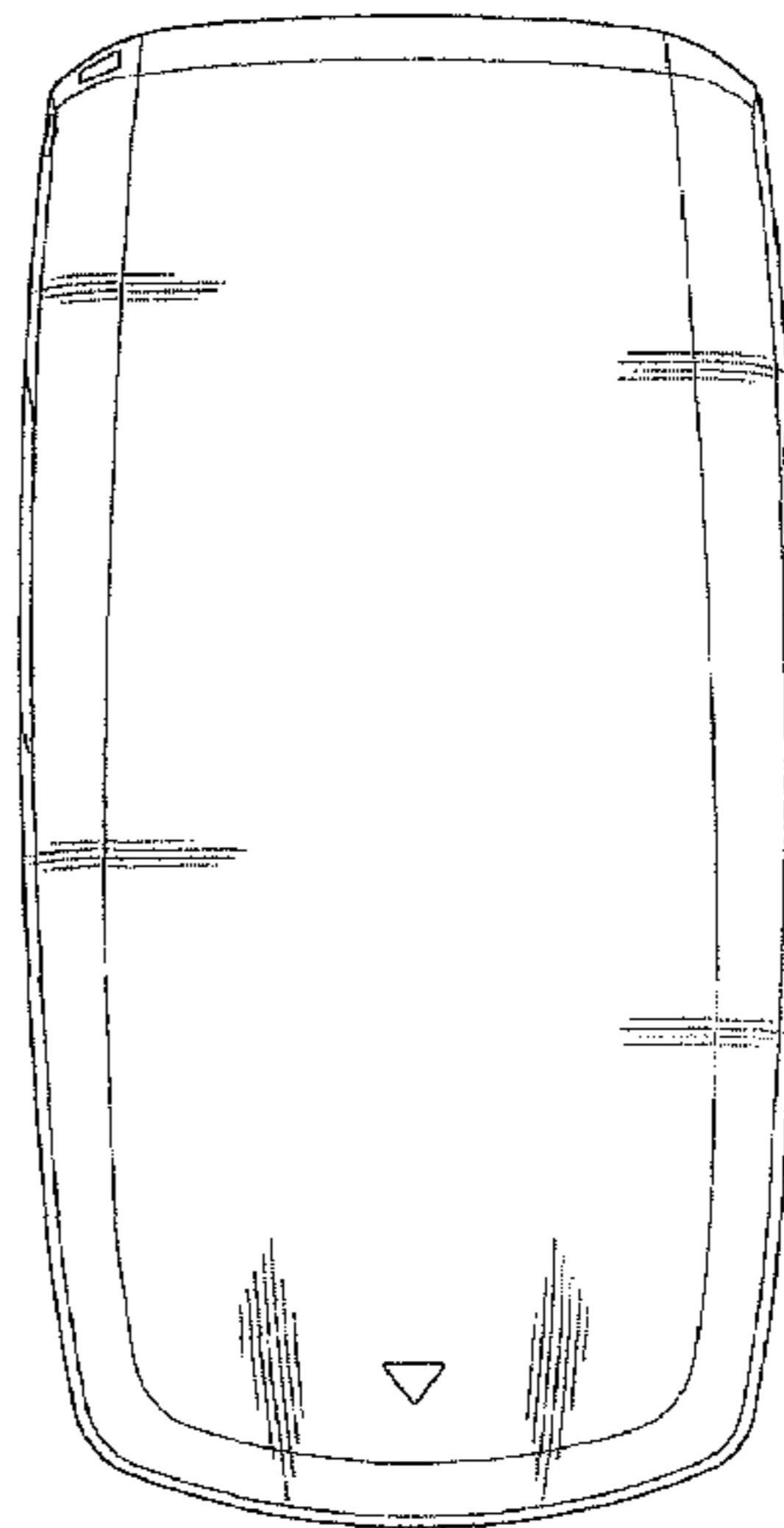
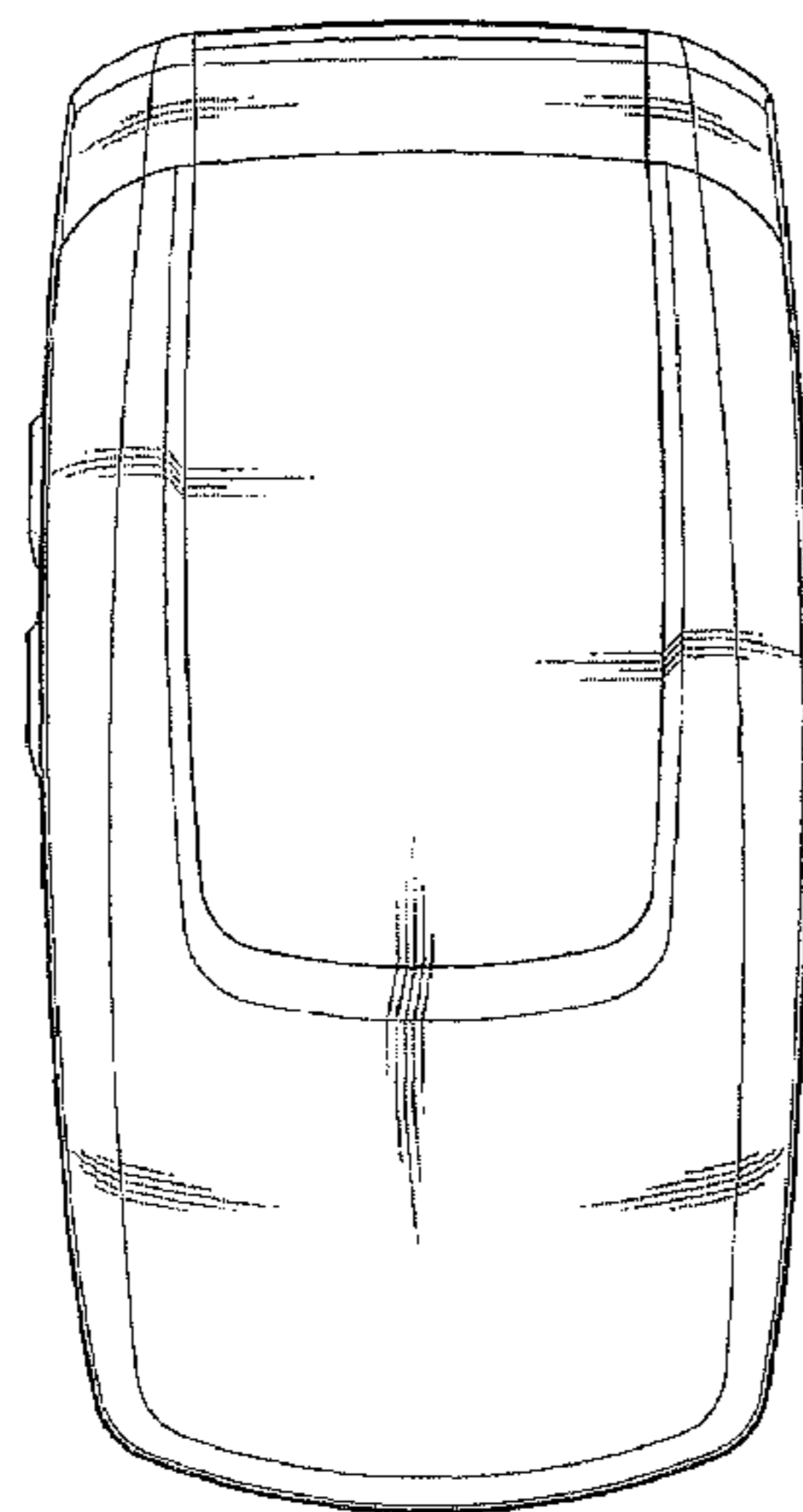
(57) **CLAIM**

The ornamental design for a portable phone, as shown and described.

**DESCRIPTION**

FIG. 1 is a perspective view of a portable phone;  
FIG. 2 is a front view of the portable phone of FIG. 1;  
FIG. 3 is a rear view of the portable phone of FIG. 1;  
FIG. 4 is a left-side view of the portable phone of FIG. 1;  
FIG. 5 is a right-side view of the portable phone of FIG. 1;  
FIG. 6 is a top plan view of the portable phone of FIG. 1;  
FIG. 7 is a bottom plan view of the portable phone of FIG. 1;  
and,  
FIG. 8 is a front open view of the portable phone of FIG. 1.

**1 Claim, 5 Drawing Sheets**



OTHER PUBLICATIONS

Pantech PG-1800 telephone, announced Feb. 2006, [online], [site visited Dec. 19, 2008]. Available from Internet, <URL: <http://www.gsmarena.com>>.\*

Sagem MY C5-3 telephone, announced Oct. 2006, [online], [site visited Dec. 19, 2008]. Available from Internet, <URL: <http://www.gsmarena.com>>.\*

Samsung X300 telephone, announced Feb. 2006, [online], [site visited Dec. 19, 2008]. Available from Internet, <URL: <http://www.gsmarena.com>>.\*

Samsung T 109 telephone, announced Oct. 2008, [online], [site visited Dec. 19, 2008]. Available from Internet, <URL: <http://www.gsmarena.com>>.\*

\* cited by examiner

FIG. 1

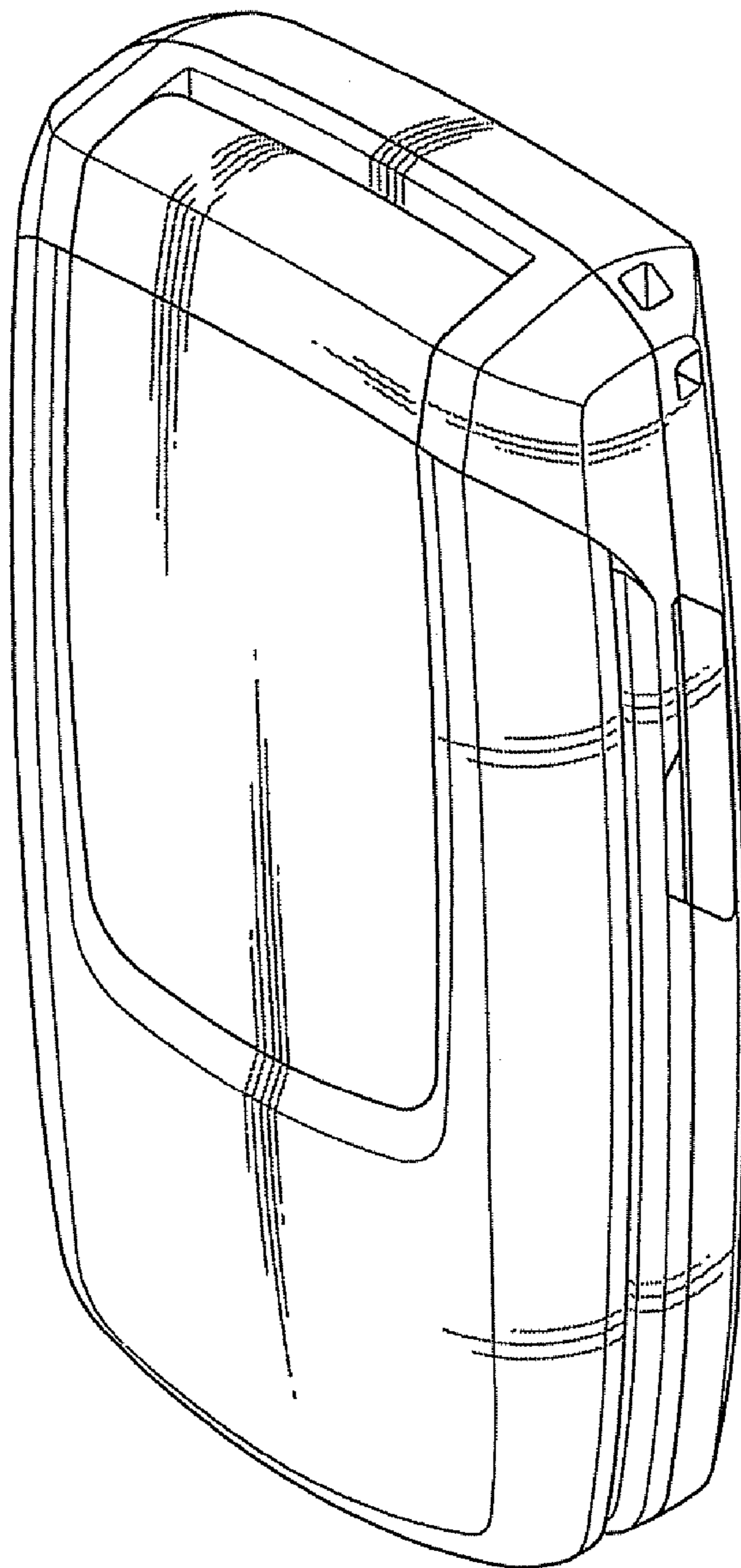


FIG. 2

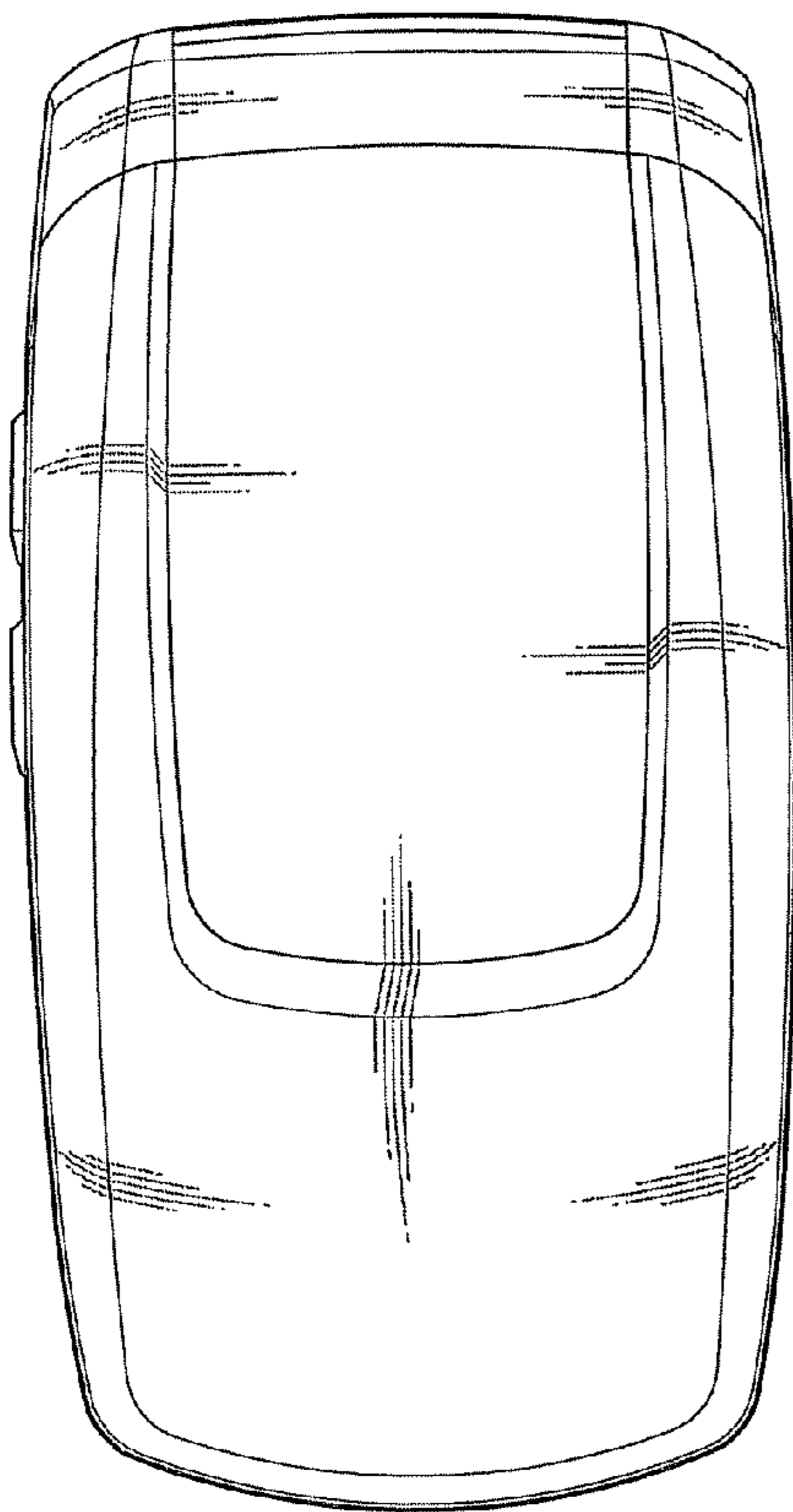


FIG. 3

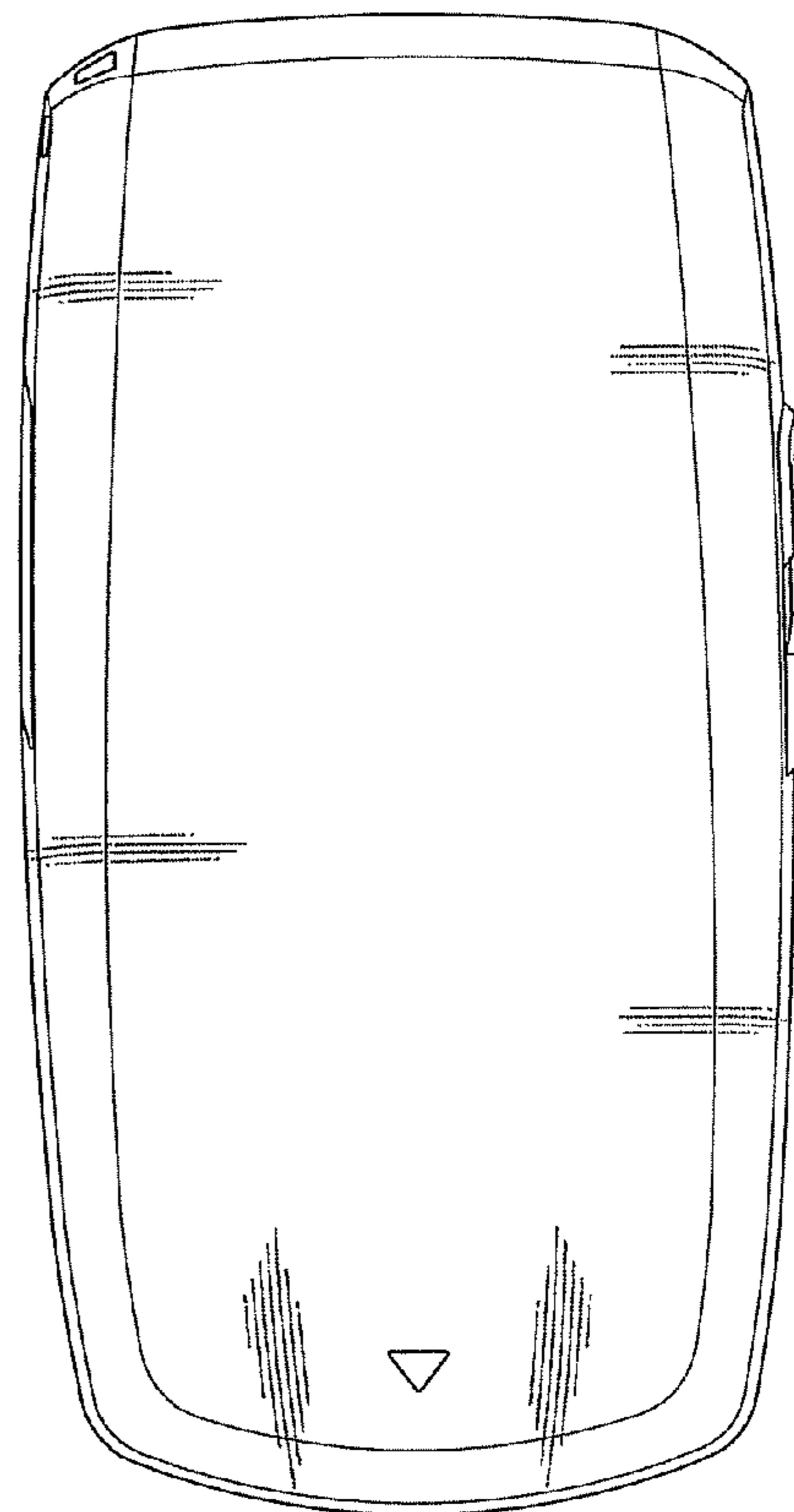


FIG. 4

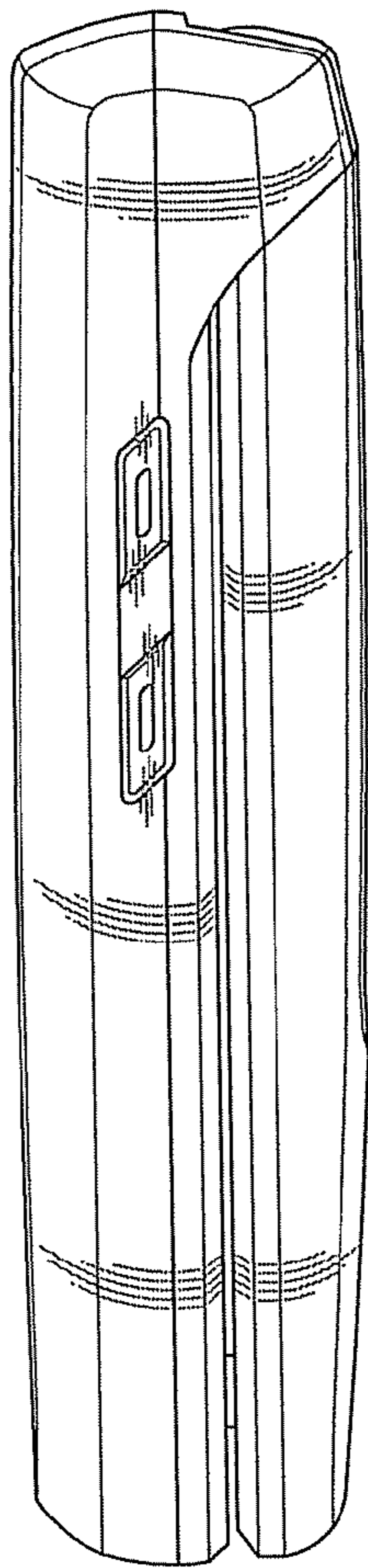


FIG. 5

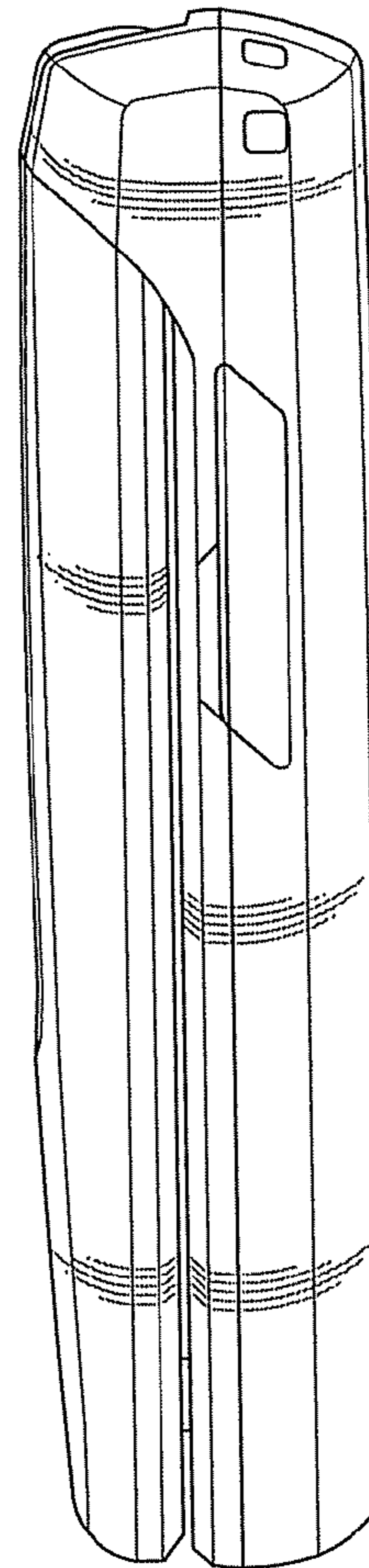


FIG. 6

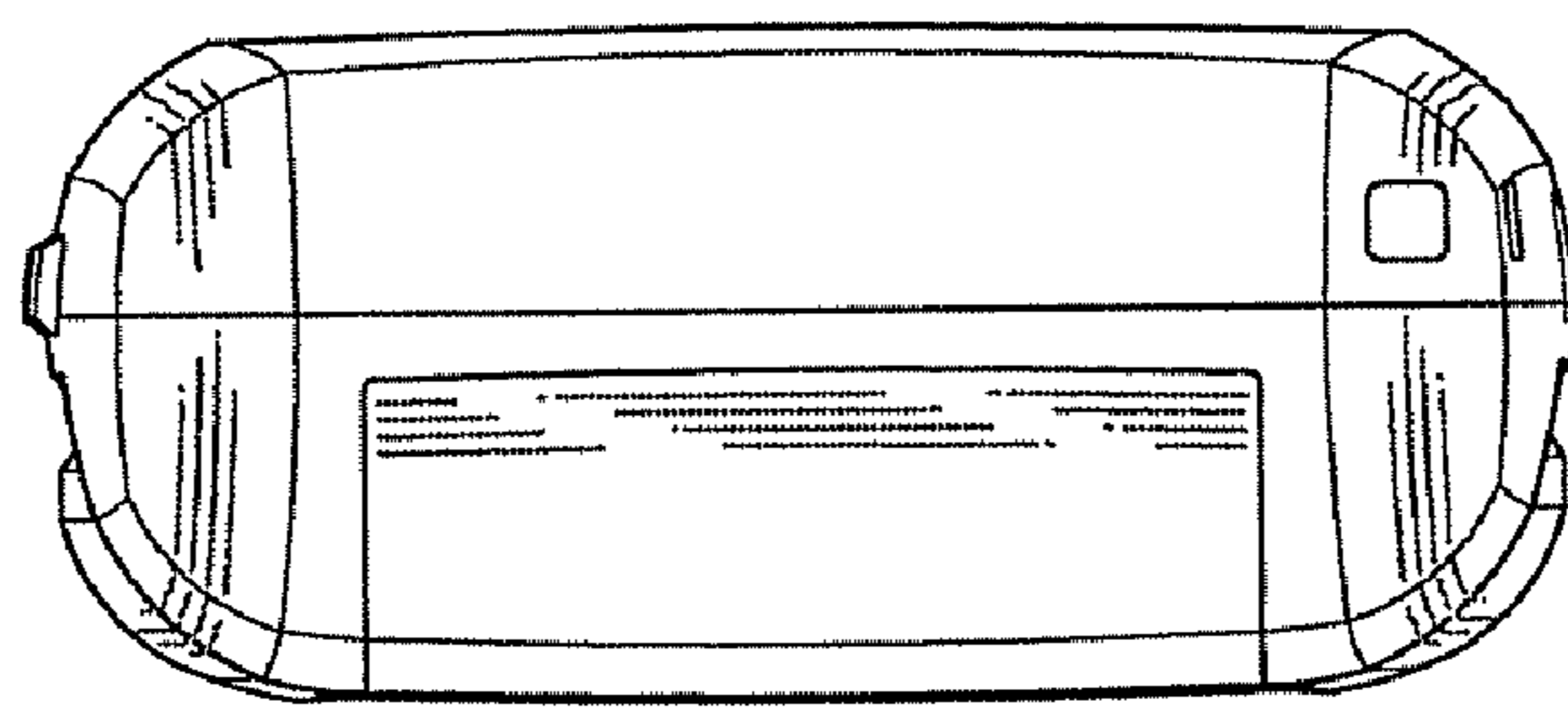


FIG. 7

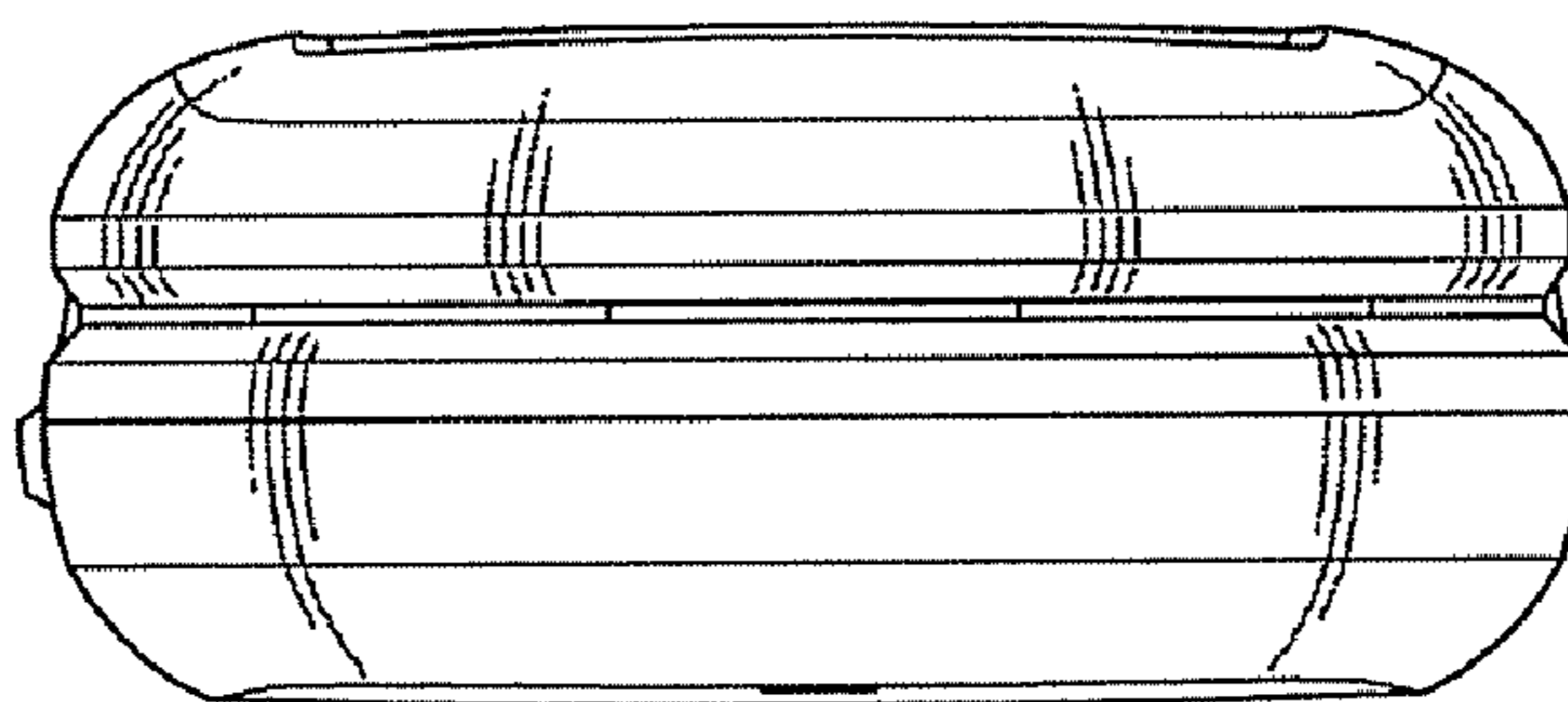


FIG. 8

