



US00D591716S

(12) **United States Design Patent**
Chambers

(10) **Patent No.:** **US D591,716 S**
(45) **Date of Patent:** **** May 5, 2009**

(54) **PORTABLE PHONE**

(75) Inventor: **Susanne Chambers**, Rancho Dominguez, CA (US)

(73) Assignee: **Samsung Electronics Co., Ltd.**, Suwon-Si (KR)

(**) Term: **14 Years**

(21) Appl. No.: **29/324,890**

(22) Filed: **Sep. 23, 2008**

(30) **Foreign Application Priority Data**

Aug. 8, 2008 (KR) 30-2008-0034565

(51) **LOC (9) Cl.** **14-03**

(52) **U.S. Cl.** **D14/138 AB**

(58) **Field of Classification Search** D14/138 AB,
D14/496, 341-347; 455/575.3

See application file for complete search history.

(56) **References Cited**

U.S. PATENT DOCUMENTS

D484,863	S	*	1/2004	Chan	D14/138 AB
D512,398	S	*	12/2005	Chen et al.	D14/138 AB
D519,966	S	*	5/2006	Salmi et al.	D14/138 AB
D552,065	S	*	10/2007	Kim et al.	D14/138 AB
D557,230	S	*	12/2007	Kim et al.	D14/138 AB
D558,167	S	*	12/2007	Jung et al.	D14/138 AB
D558,169	S	*	12/2007	Chung et al.	D14/138 AB
D559,214	S	*	1/2008	Salmi	D14/138 AB
D560,186	S	*	1/2008	Kim et al.	D14/138 AB
D563,361	S	*	3/2008	Moon et al.	D14/138 AB
D563,924	S	*	3/2008	Arnold et al.	D14/138 AB
D567,796	S	*	4/2008	Jeong et al.	D14/138 AB
D569,825	S	*	5/2008	Kim et al.	D14/138 AB
D571,342	S	*	6/2008	Cho et al.	D14/138
D572,224	S	*	7/2008	Kim et al.	D14/138
D572,225	S	*	7/2008	Choi et al.	D14/138
D572,226	S	*	7/2008	Park et al.	D14/138
D572,686	S	*	7/2008	Kim et al.	D14/138

D572,689	S	*	7/2008	Park et al.	D14/138
D572,690	S	*	7/2008	Kim et al.	D14/138
D573,127	S	*	7/2008	Choi et al.	D14/138
D578,094	S	*	10/2008	Hong et al.	D14/138 AB
D579,893	S	*	11/2008	Suk et al.	D14/138 R
D580,402	S	*	11/2008	Lee et al.	D14/138 AB
D582,879	S	*	12/2008	Chung et al.	D14/138 R
D582,883	S	*	12/2008	Koh et al.	D14/138 R

OTHER PUBLICATIONS

Samsung T109 telephone, announced Oct. 2008, [online], [site visited Dec. 19, 2008]. Available from Internet ,<URL: <http://www.gsmarena.com>>.*

Samsung E210 telephone, announced Aug. 2007, [online], [site visited Dec. 19, 2008]. Available from Internet ,<URL: <http://www.gsmarena.com>>.*

Samsung X160 telephone, announced 1st quarter 2006, [online], [site visited Dec. 19, 2008]. Available from Internet ,<URL: <http://www.gsmarena.com>>.*

(Continued)

Primary Examiner—Jeffrey D Asch

(74) *Attorney, Agent, or Firm*—Staas & Halsey LLP

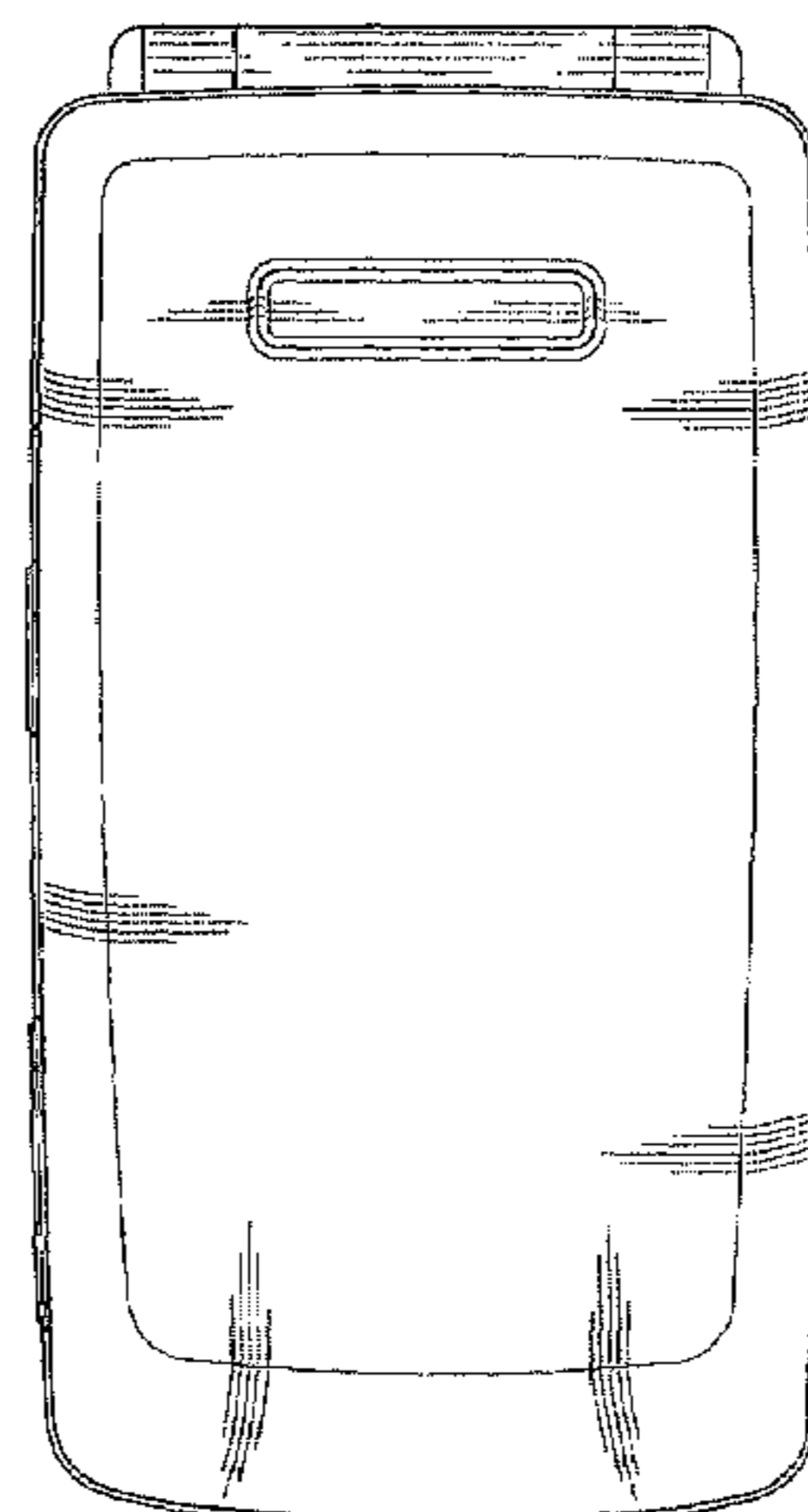
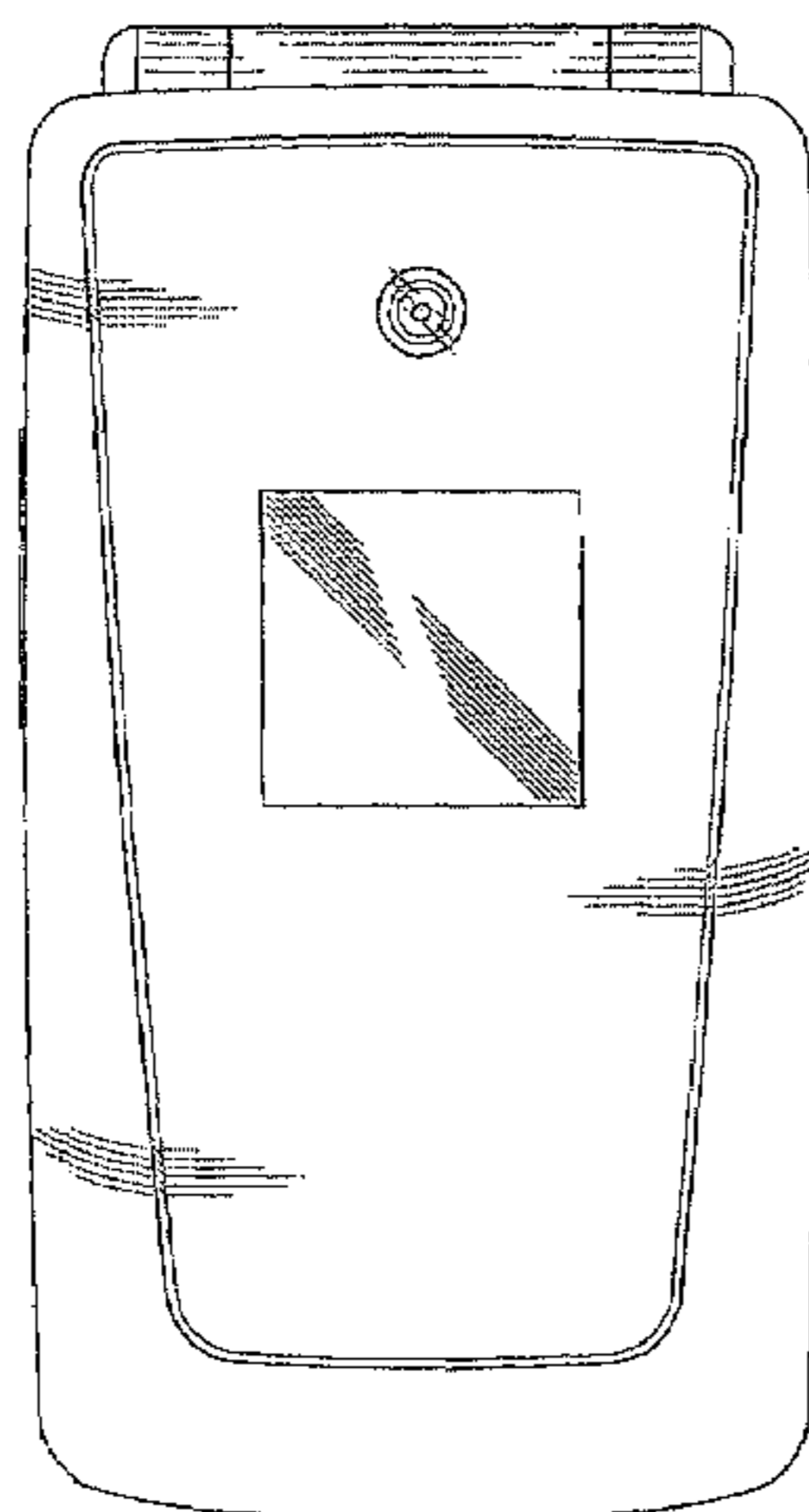
(57) **CLAIM**

The ornamental design for a portable phone, as shown and described.

DESCRIPTION

FIG. 1 is a perspective view of a portable phone;
FIG. 2 is a front view of the portable phone of FIG. 1;
FIG. 3 is a rear view of the portable phone of FIG. 1;
FIG. 4 is a left-side view of the portable phone of FIG. 1;
FIG. 5 is a right-side view of the portable phone of FIG. 1;
FIG. 6 is a top plan view of the portable phone of FIG. 1;
FIG. 7 is a bottom plan view of the portable phone of FIG. 1;
and,
FIG. 8 is a front open view of the portable phone of FIG. 1.

1 Claim, 5 Drawing Sheets



OTHER PUBLICATIONS

Samsung A437 telephone, announced Jul. 2007, [online], [site visited Dec. 19, 2008]. Available from Internet ,<URL: <http://www.gsmarena.com>>.*

Nokia 6136 telephone, announced Feb. 2006, [online], [site visited Dec. 19, 2008]. Available from Internet ,<URL: <http://www.gsmarena.com>>.*

LG KP210 telephone, announced Feb. 2008, [online], [site visited Dec. 19, 2008]. Available from Internet ,<URL: <http://www.gsmarena.com>>.*

Siemens CF62 telephone, announced Feb. 2004, [online], [site visited Dec. 19, 2008]. Available from Internet ,<URL: <http://www.gsmarena.com>>.*

* cited by examiner

FIG. 1

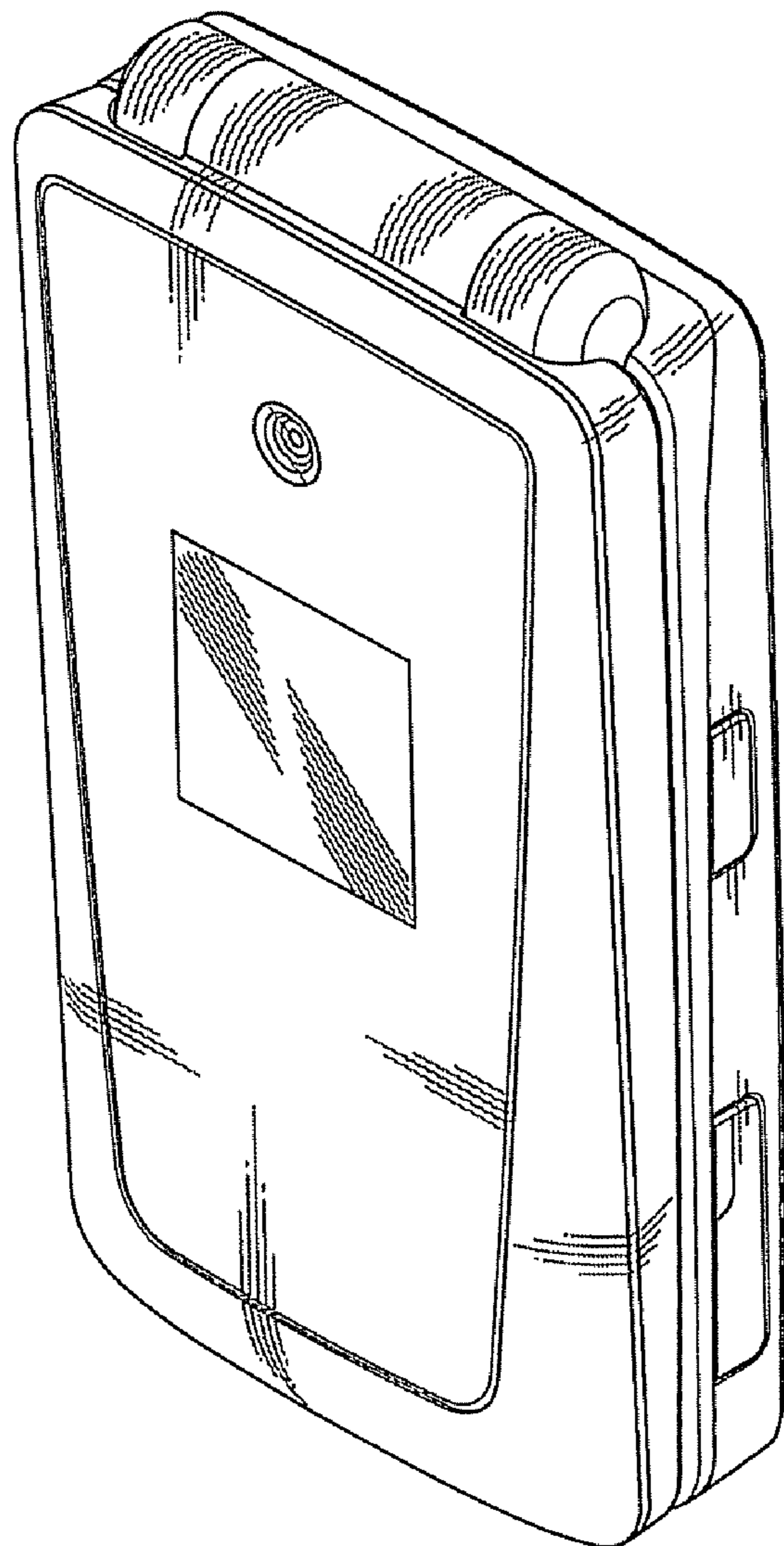


FIG. 2

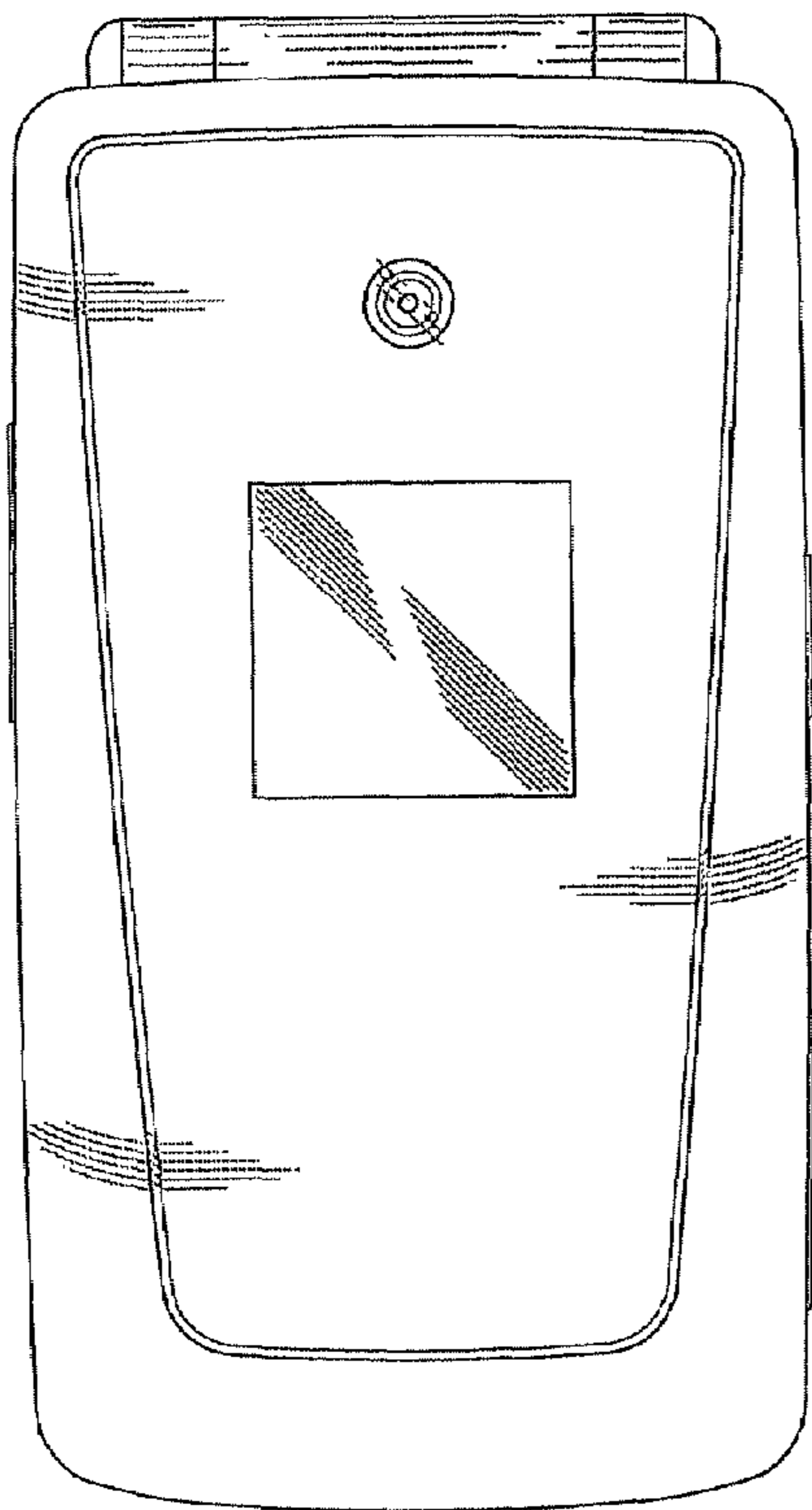


FIG. 3

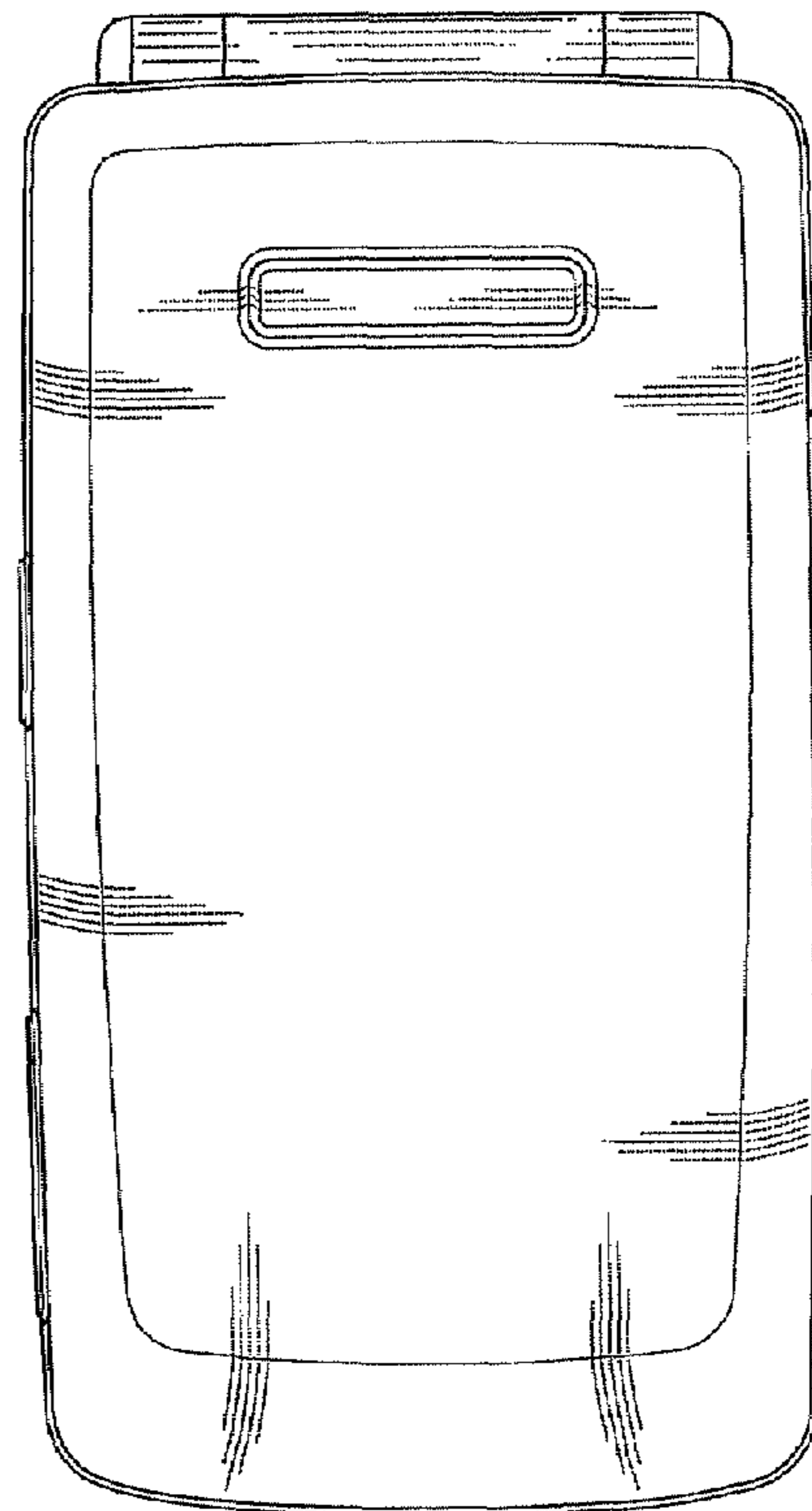


FIG. 4

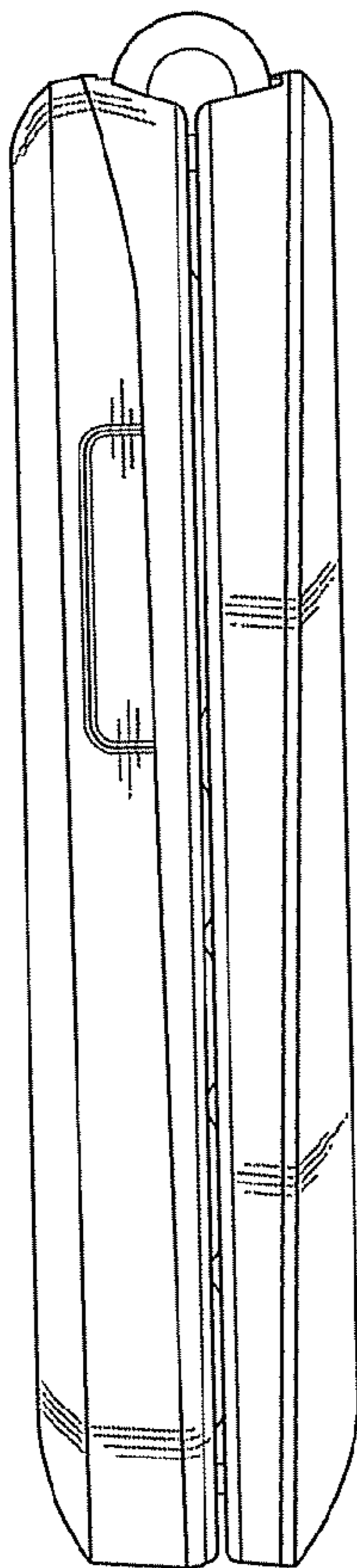


FIG. 5

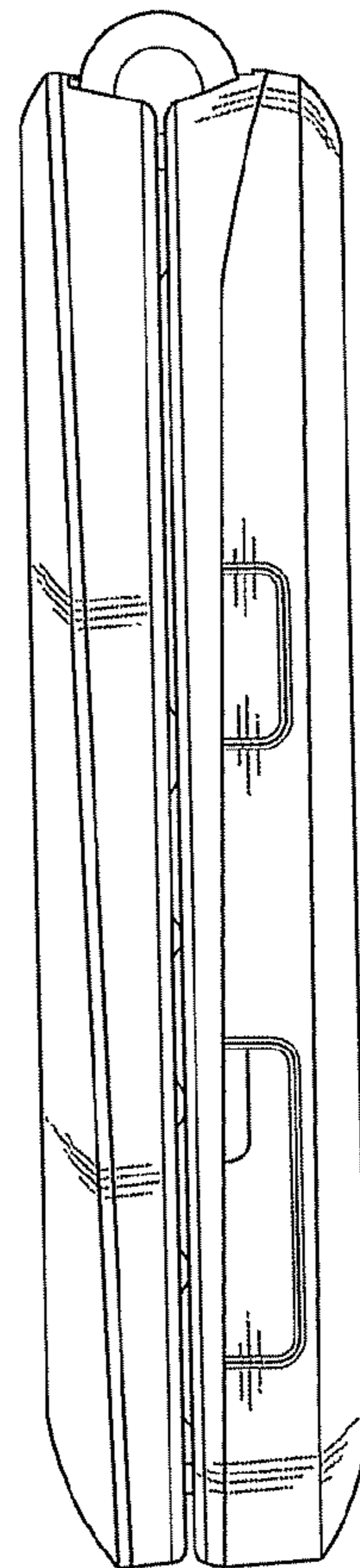


FIG. 6

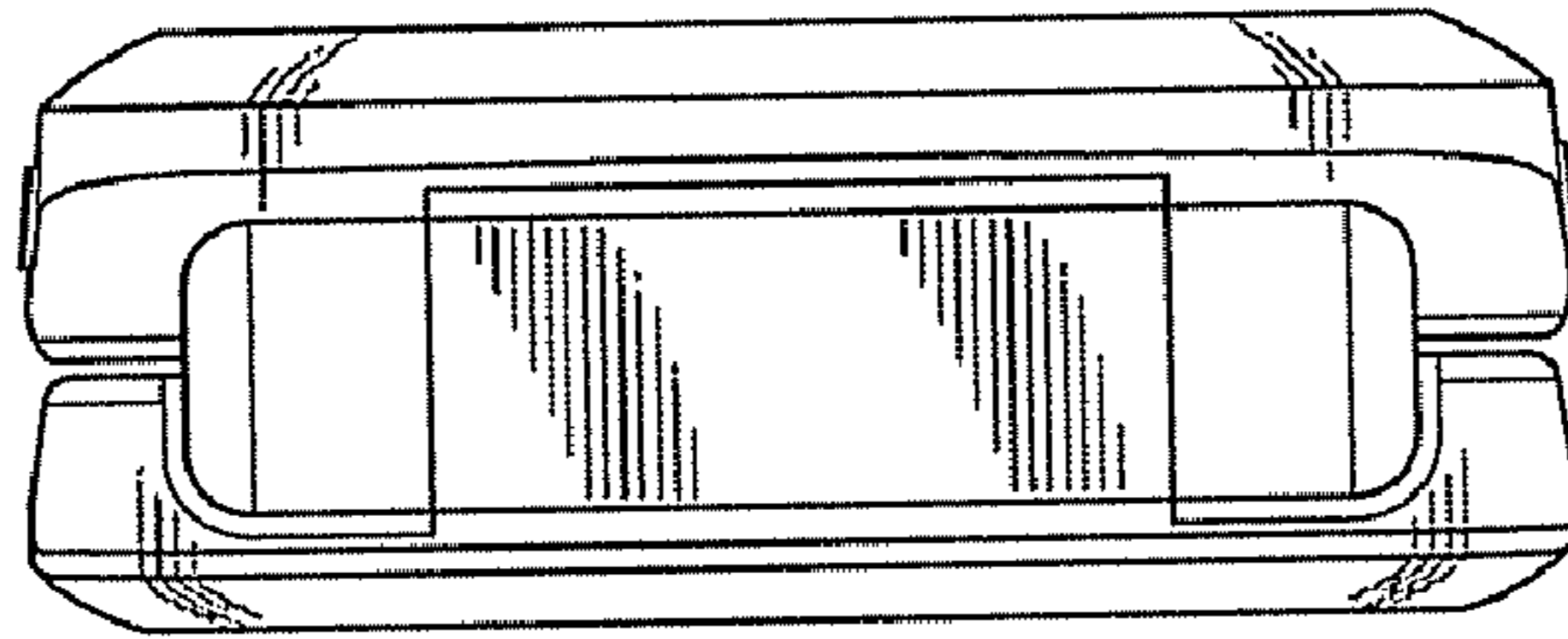


FIG. 7

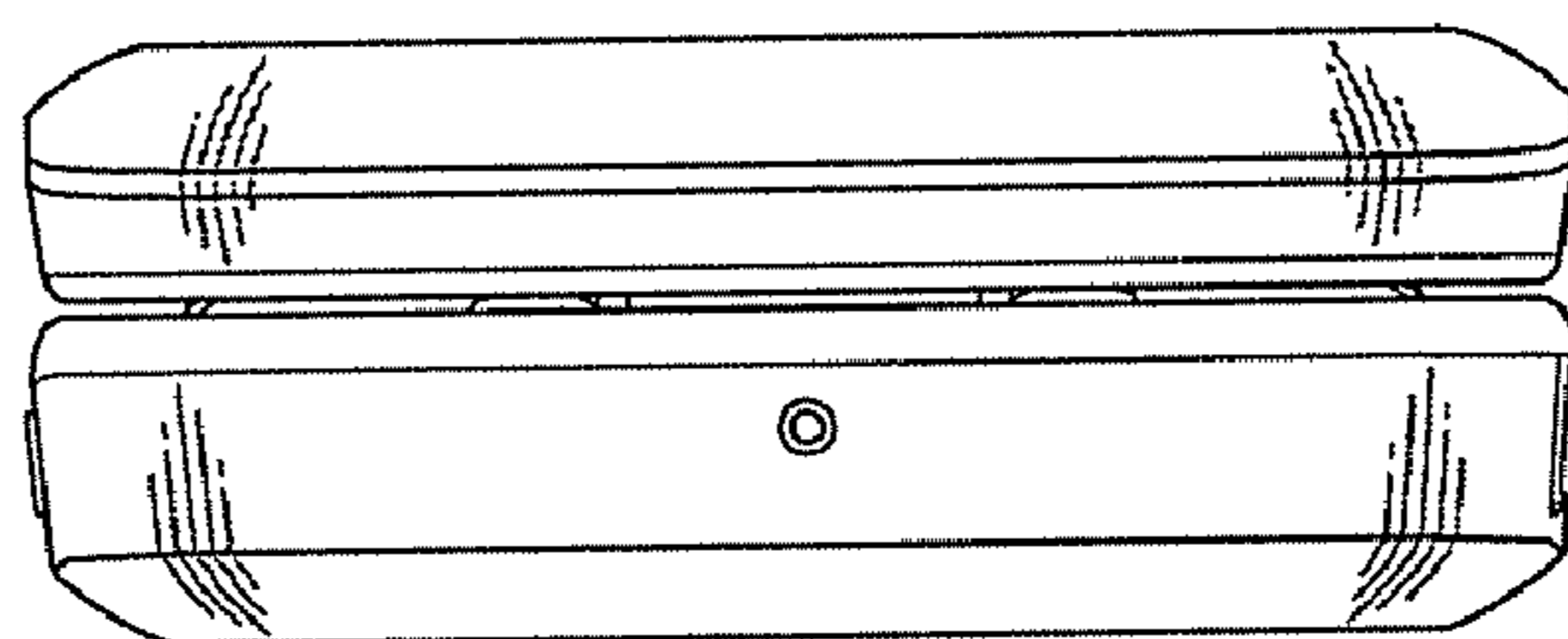


FIG. 8

