

US00D591710S

(12) **United States Design Patent**
Bai et al.

(10) **Patent No.:** **US D591,710 S**
(45) **Date of Patent:** **** May 5, 2009**

(54) **MOBILE PHONE**

(75) Inventors: **Sung-Kyun Bai**, Seoul (KR);
Seog-Guen Kim, Seoul (KR); **Tae-Ho Kim**,
Yongin-si (KR); **Woo-Seung Han**, Seoul (KR);
Yun-Su Kim, Seoul (KR)

(73) Assignee: **Samsung Electronics Co., Ltd.**,
Suwon-si (KR)

(**) Term: **14 Years**

(21) Appl. No.: **29/318,379**

(22) Filed: **May 19, 2008**

(30) **Foreign Application Priority Data**

Dec. 28, 2007 (KR) 30-2007-0054146

(51) **LOC (9) Cl.** **14-03**

(52) **U.S. Cl.** **D14/138 AD**

(58) **Field of Classification Search** D14/137,
D14/138 R, 138 AA, 138 AB, 138 AC, 138 AD,
D14/138 C, 138 G, 147, 191, 218, 247-248,
D14/341-347, 496; D10/65, 78, 104; D13/168;
D18/7; 455/556.1, 566, 575.1, 575.3; 345/169
See application file for complete search history.

(56) **References Cited**

U.S. PATENT DOCUMENTS

5,915,228 A * 6/1999 Kunihiro et al. 455/575.1
D483,032 S * 12/2003 Bertrand et al. D14/248
D509,813 S * 9/2005 Miyazawa et al. ... D14/138 AD
7,031,759 B2 * 4/2006 Wong et al. 455/575.1
D528,528 S * 9/2006 Moon et al. D14/138 G
D529,886 S * 10/2006 Jang D14/138 AD
D531,608 S * 11/2006 Kim et al. D14/138 AD
D534,145 S * 12/2006 Lheem D14/138 AD
D534,893 S * 1/2007 Jo et al. D14/138 AD
D537,063 S * 2/2007 Kim et al. D14/138 AD
D541,777 S * 5/2007 Shimizu D14/138 AC
D541,785 S * 5/2007 Hwang et al. D14/138 G
D545,293 S * 6/2007 Hwang D14/138 AA
D545,294 S * 6/2007 Hwang D14/138 AA

D546,313 S * 7/2007 Lheem D14/138 AD
D548,219 S * 8/2007 Hwang D14/138 AA
D558,174 S 12/2007 Lee
D558,717 S * 1/2008 Baik et al. D14/138 AD
D561,199 S * 2/2008 Morisawa D14/496
D565,532 S * 4/2008 Arnold D14/138 AD
D566,090 S * 4/2008 Moon D14/138 AD
D571,762 S * 6/2008 Lee et al. D14/138
D579,435 S * 10/2008 Han et al. D14/138 R
D581,384 S * 11/2008 Kim et al. D14/138 R
2005/0037814 A1 * 2/2005 Yasui et al. 455/566
2006/0234786 A1 * 10/2006 Taniguchi et al. 455/575.4
2007/0293283 A1 * 12/2007 Inubushi et al. 455/575.1

OTHER PUBLICATIONS

Gigabyte g-YoYo, announced 2006, [online], [retrieved on Feb. 20, 2007]. Retrieved from Internet ,<URL: http://www.gsmarena.com>.*

Gigabyte g-Smart t600, announced Feb. 2007, [online], [retrieved on Mar. 12, 2007]. Retrieved from Internet ,<URL: http://www.gsmarena.com>.*

LG KM710, announced Feb. 2008, [online], [retrieved on Mar. 21, 2008]. Retrieved from Internet ,<URL: http://www.gsmarena.com>.*

* cited by examiner

Primary Examiner—Jeffrey D Asch

Assistant Examiner—Bridget L Eland

(74) *Attorney, Agent, or Firm*—Staas & Halsey LLP

(57) **CLAIM**

The ornamental design for a mobile phone, as shown and described.

DESCRIPTION

FIG. 1 is a perspective view of a mobile phone;
FIG. 2 is a front view of the mobile phone of FIG. 1;
FIG. 3 is a rear view of the mobile phone of FIG. 1;
FIG. 4 is a left-side view of the mobile phone of FIG. 1;
FIG. 5 is a right-side view of the mobile phone of FIG. 1;
FIG. 6 is a top plan view of the mobile phone of FIG. 1; and,
FIG. 7 is a bottom plan view of the mobile phone of FIG. 1.

1 Claim, 5 Drawing Sheets

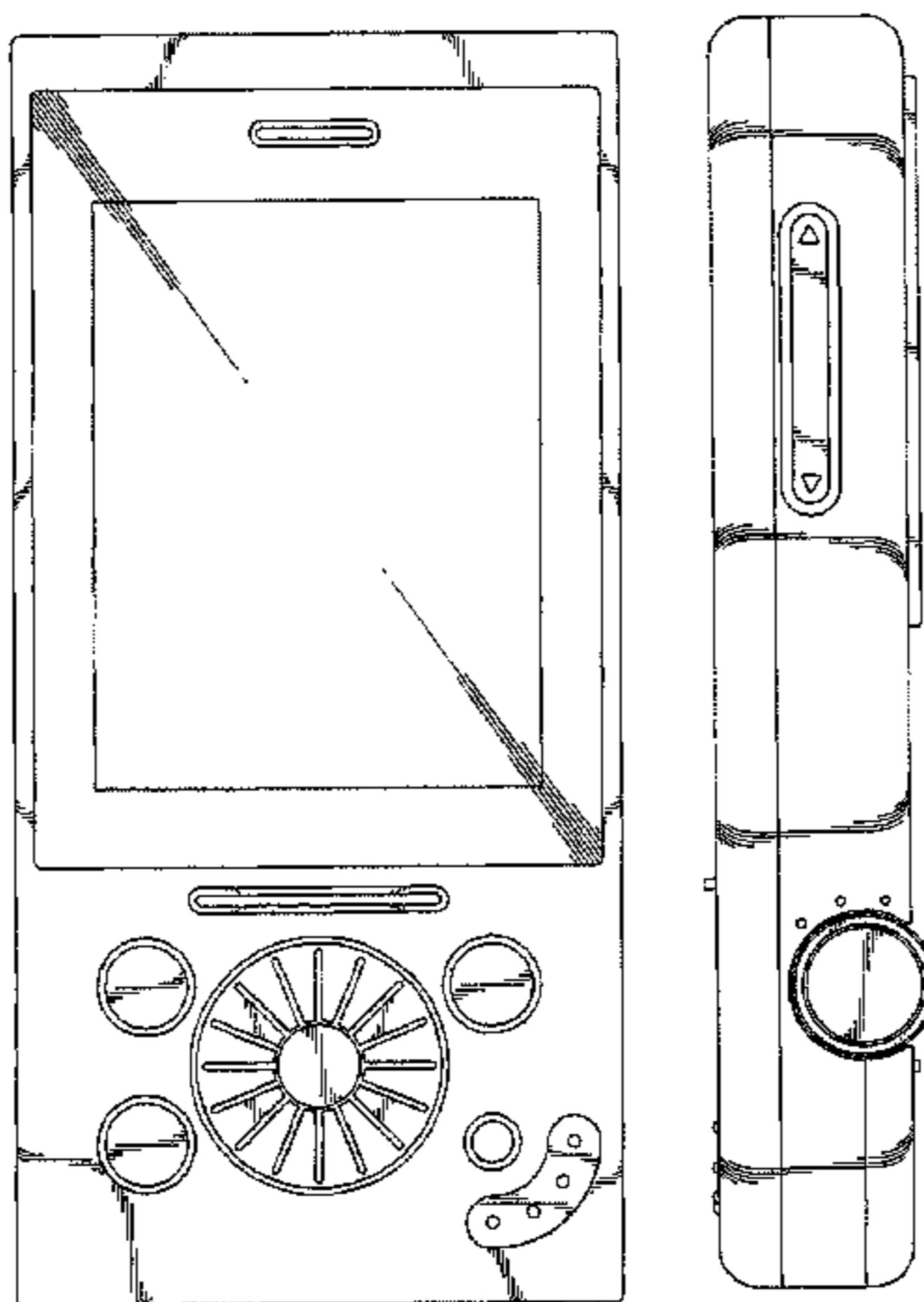


FIG. 1

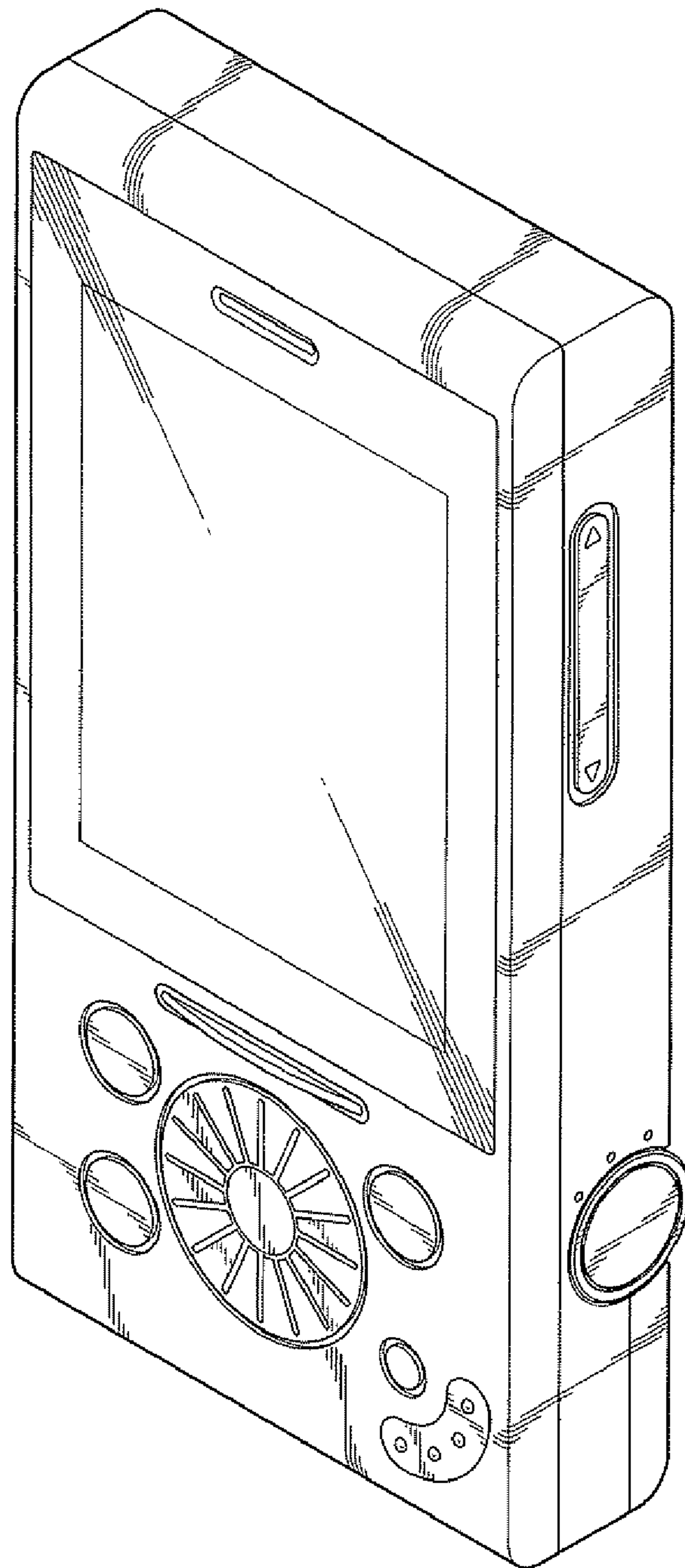


FIG. 2

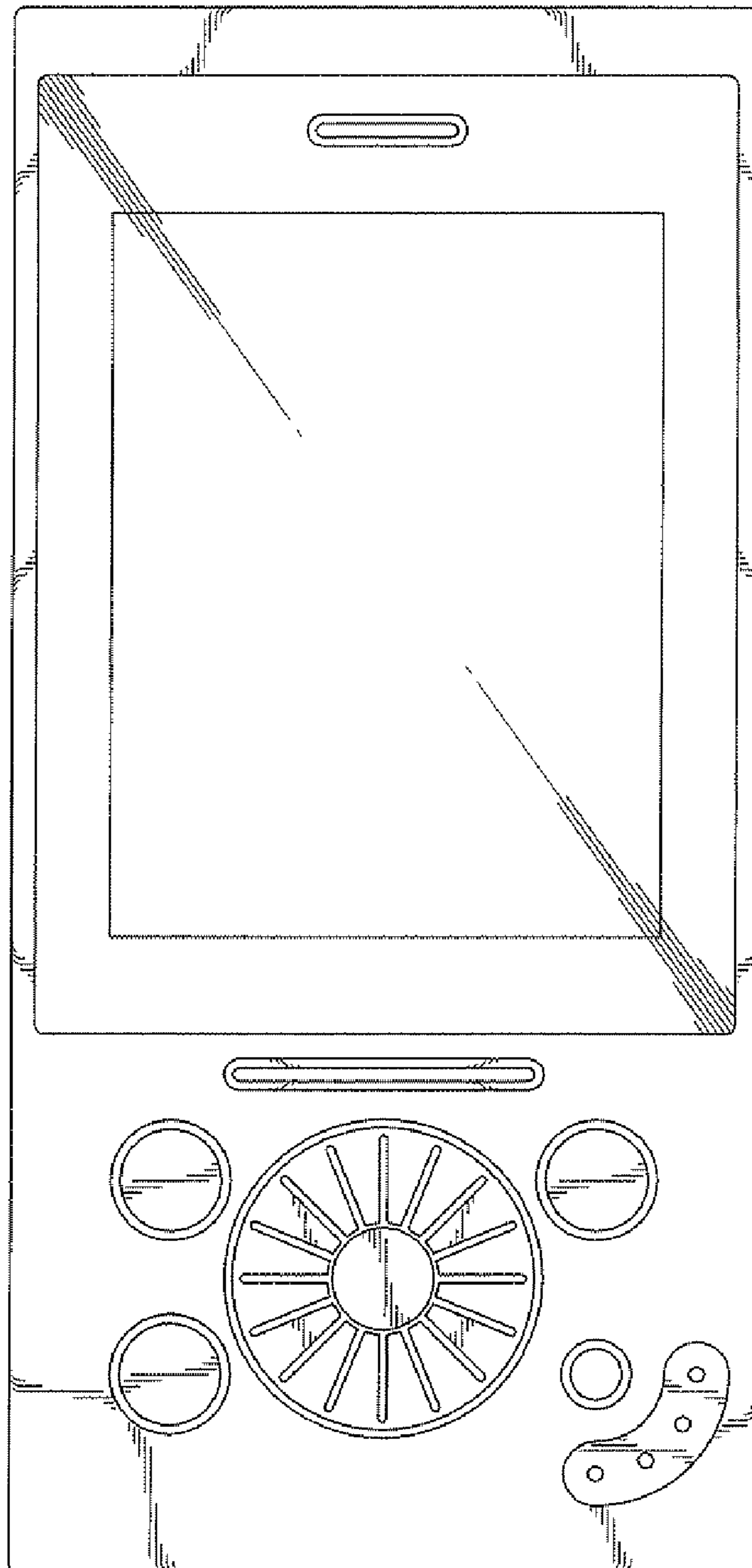


FIG.3

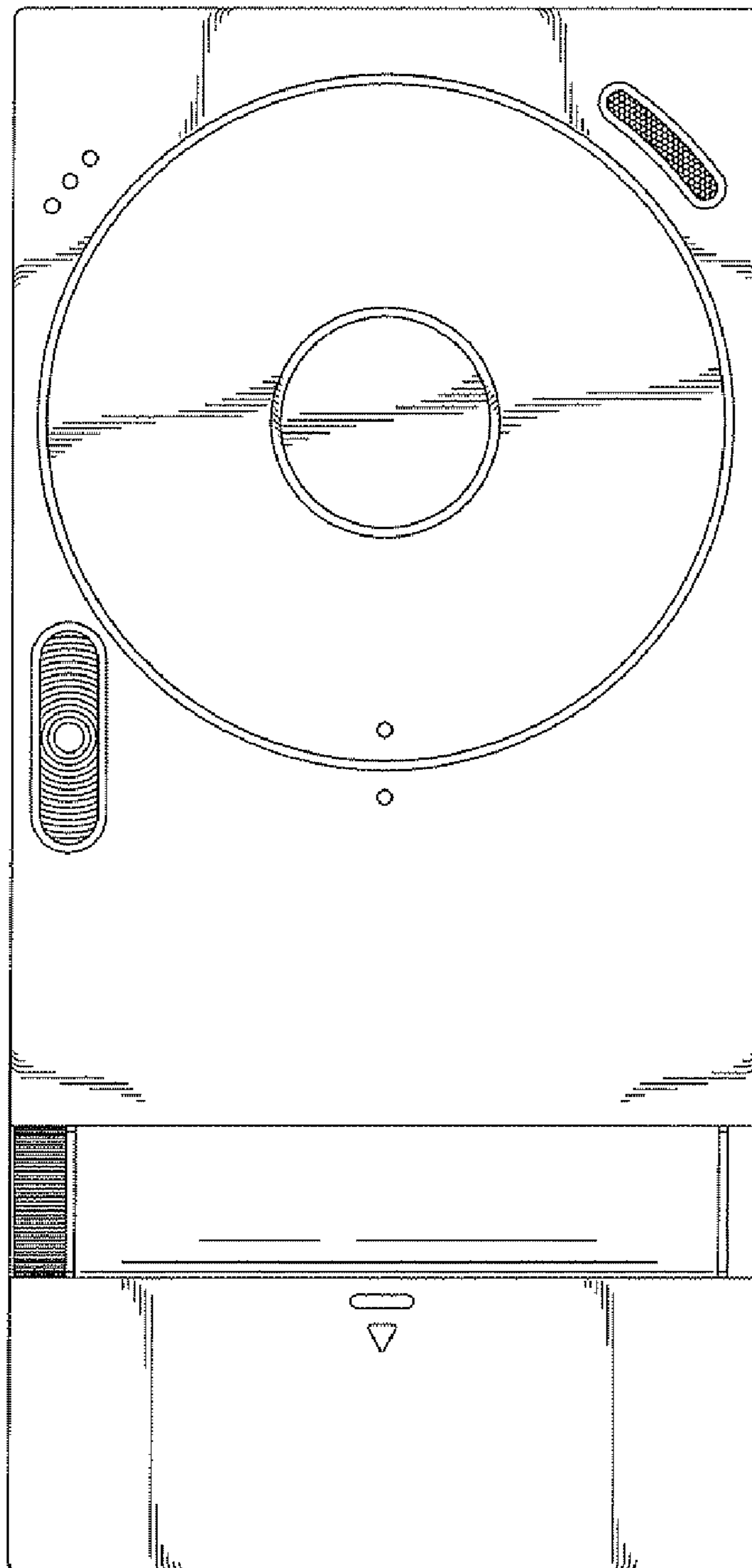


FIG. 4

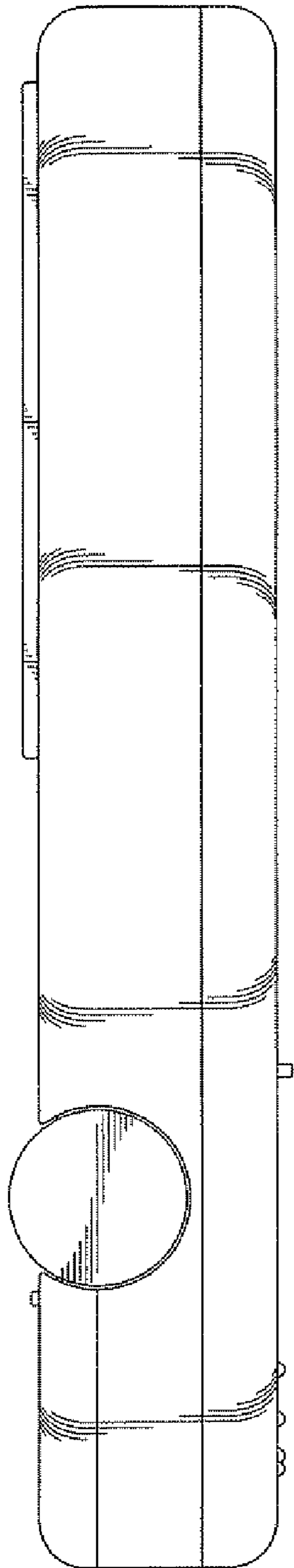


FIG. 5

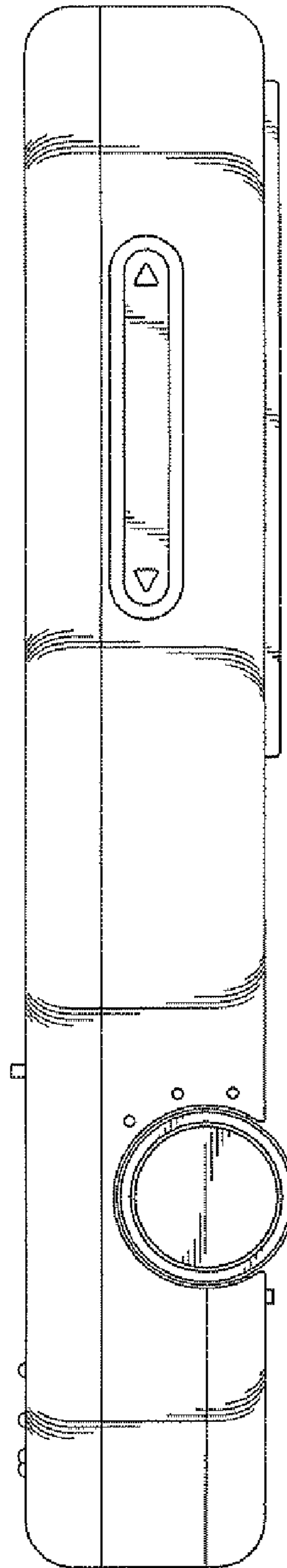


FIG.6

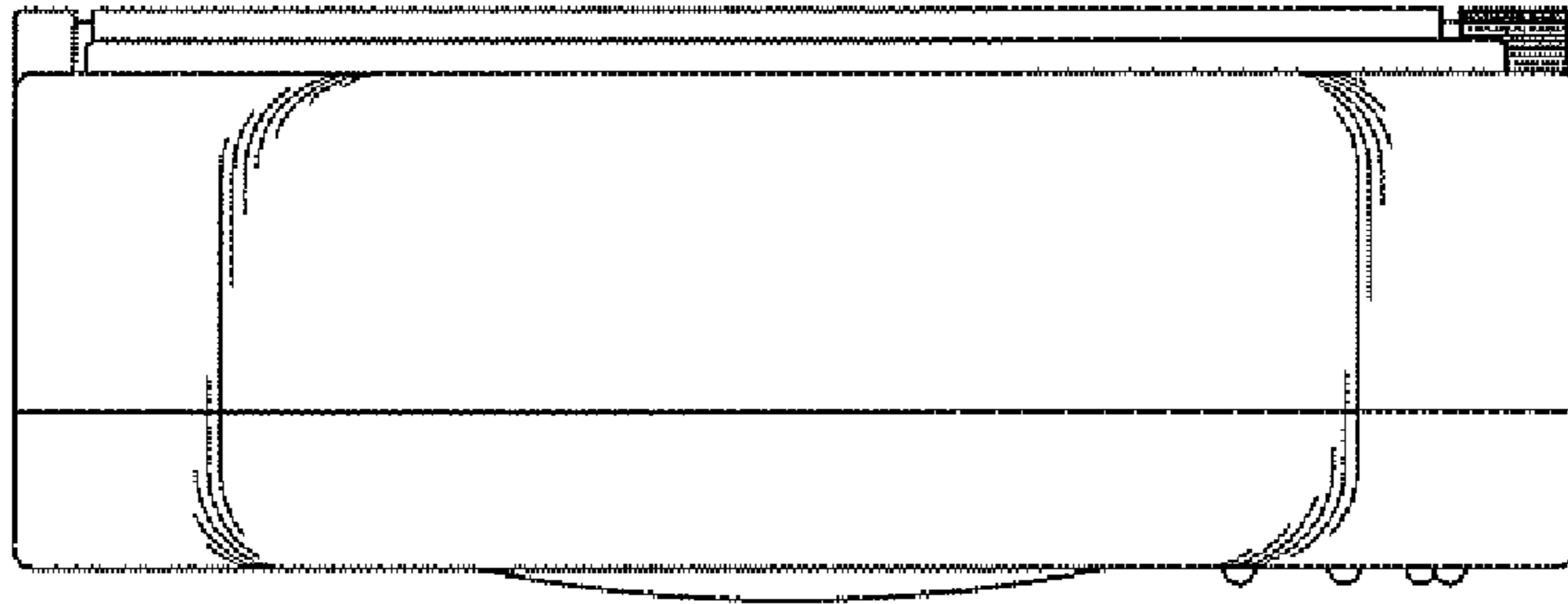


FIG.7

