



US00D591697S

(12) **United States Design Patent**
Andrews et al.

(10) **Patent No.:** **US D591,697 S**

(45) **Date of Patent:** **** May 5, 2009**

(54) **LAMP PACKAGE**

TW 352241 3/1987

(75) Inventors: **Peter Andrews**, Durham, NC (US);
Nicholas W. Medendorp, Jr., Raleigh,
NC (US)

OTHER PUBLICATIONS

(73) Assignee: **Cree, Inc.**, Durham, NC (US)

Cree introduces its first packaged LED product, LEDs Magazine,
Oct. 2004, pp. 1-2.

(**) Term: **14 Years**

Search Report for Patent Application No. 096300826.

(21) Appl. No.: **29/248,311**

Translation of Preliminary Notice of Reasons for Refusal for Design
Application No. 2007-002963.

(22) Filed: **Aug. 9, 2006**

Translation of Preliminary Notice of Reasons for Refusal for Design
Application No. 2007-015113.

(51) **LOC (9) Cl.** **13-99**

Preliminary Notice of Reasons for Refusal for Design Application
No. 2007-002963.

(52) **U.S. Cl.** **D13/182; D26/2**

Preliminary Notice of Reasons for Refusal for Design Application
No. 2007-015113.

(58) **Field of Classification Search** D26/1,
D26/24, 26, 37, 51-52, 60, 72; D10/109,
D10/111, 113-114; 362/555, 125, 154, 157-159,
362/182, 184-186, 194, 641-642, 646, 652,
362/655-656, 800; D13/180-182

* cited by examiner

Primary Examiner—Ian Simmons

Assistant Examiner—Dana L Sipos

(74) *Attorney, Agent, or Firm*—Myers Bigel Sibley &
Sajovec

See application file for complete search history.

(57) **CLAIM**

(56) **References Cited**

The ornamental design for a lamp package, as shown and
described.

U.S. PATENT DOCUMENTS

DESCRIPTION

- 3,750,192 A * 8/1973 Beresic 2/422
- 4,394,716 A * 7/1983 Campagna et al. 362/158
- D350,409 S * 9/1994 Johnson et al. D26/86
- D397,458 S * 8/1998 Higano et al. D26/2
- D443,713 S * 6/2001 Benensohn D26/72
- D465,599 S * 11/2002 Thompson D26/89
- 6,488,386 B1 * 12/2002 Yan 362/216
- 6,541,800 B2 * 4/2003 Barnett et al. 257/98
- D487,430 S * 3/2004 Asaka et al. D13/182
- D509,615 S * 9/2005 Rashidi D26/74
- D522,978 S * 6/2006 Ochi et al. D13/182
- D525,214 S * 7/2006 Ochi et al. D13/182
- D544,618 S * 6/2007 Coughaine D26/37
- D555,111 S * 11/2007 Yen D13/180

FIG. 1 is a top perspective view of the lamp package showing
our design;

FIG. 2 is a bottom perspective view thereof;

FIG. 3 is a top view thereof;

FIG. 4 is a bottom view thereof;

FIG. 5 is a short side view thereof; and,

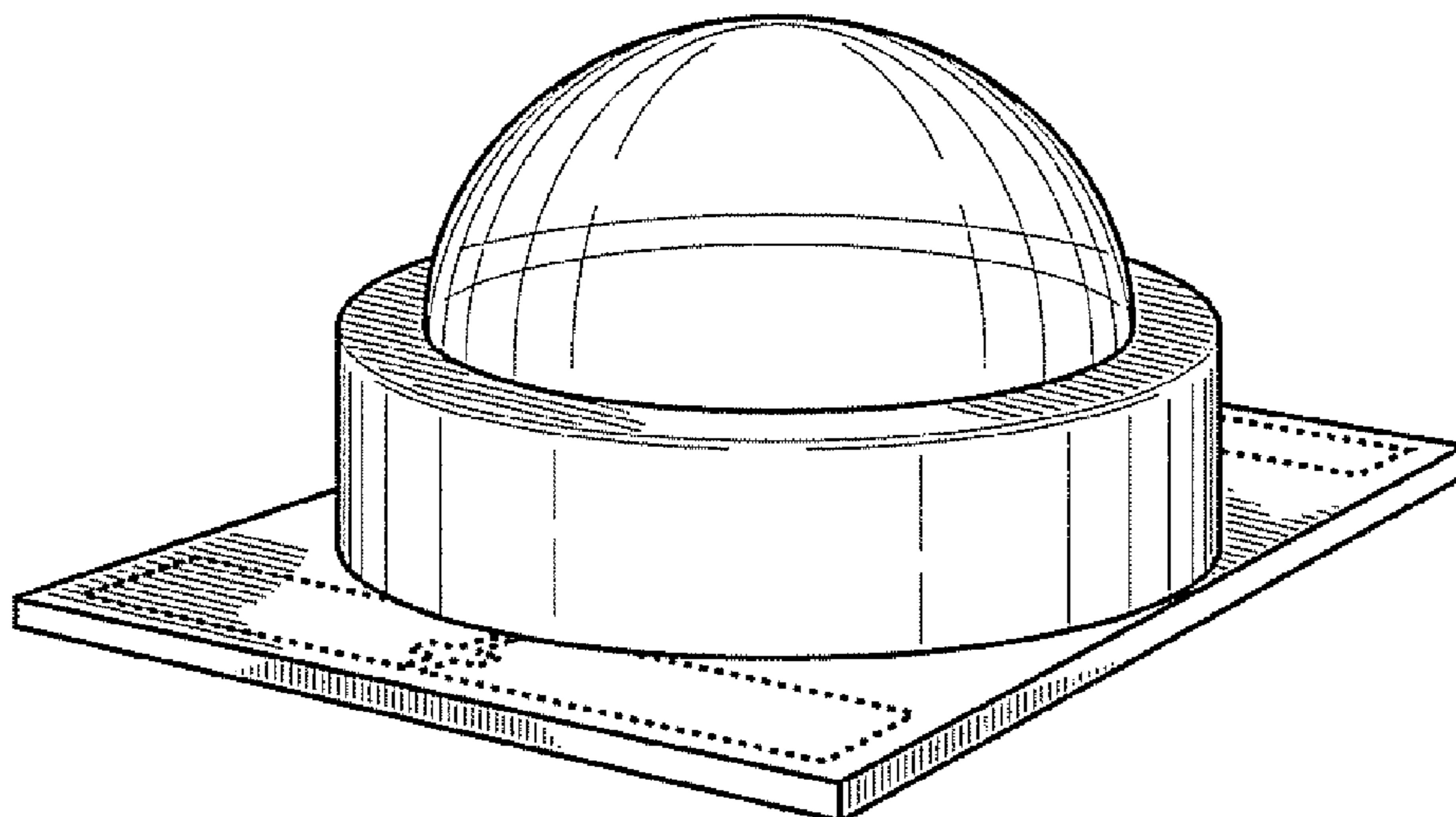
FIG. 6 is a long side view thereof.

The broken lines shown herein are for illustrative purposes
only and form no part of the claimed design. The illustrated
device is not limited to the scale shown. As shown in FIG. 1,
the central dome detail on the top surface represents the lens
portion of lamp package and is optically transmissive.

FOREIGN PATENT DOCUMENTS

TW 160799 11/1979
TW 171255 5/1980

1 Claim, 3 Drawing Sheets



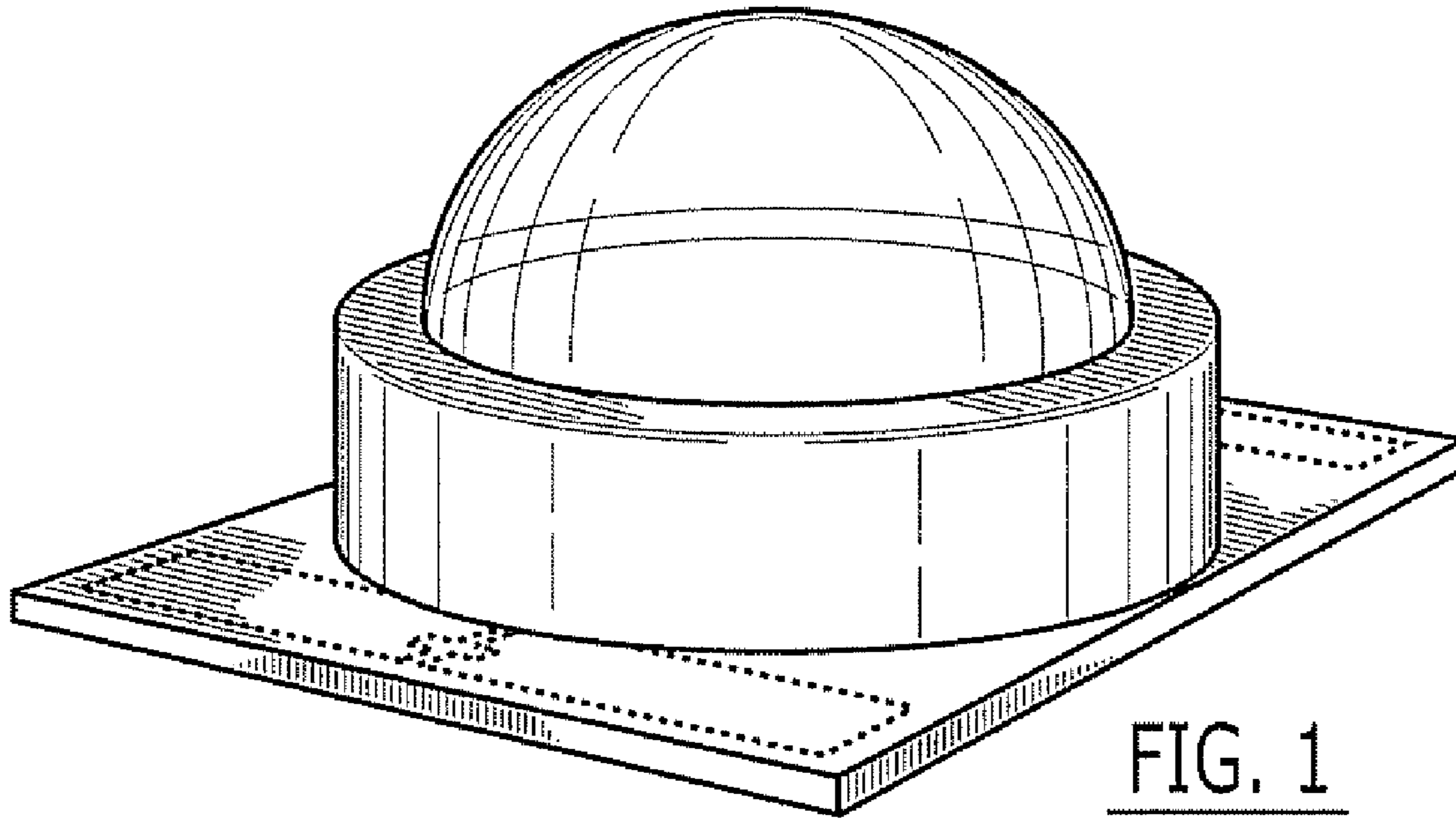


FIG. 1

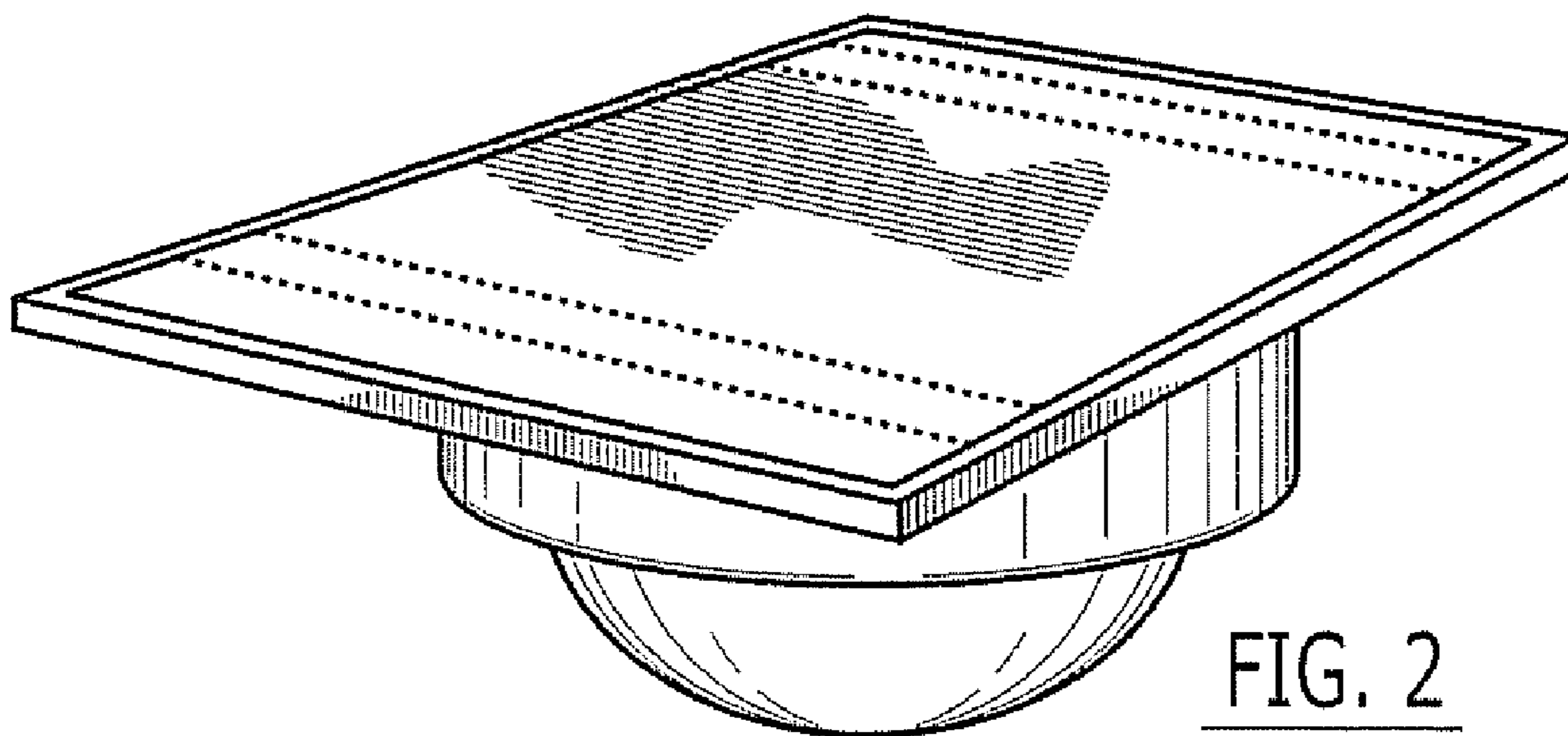


FIG. 2

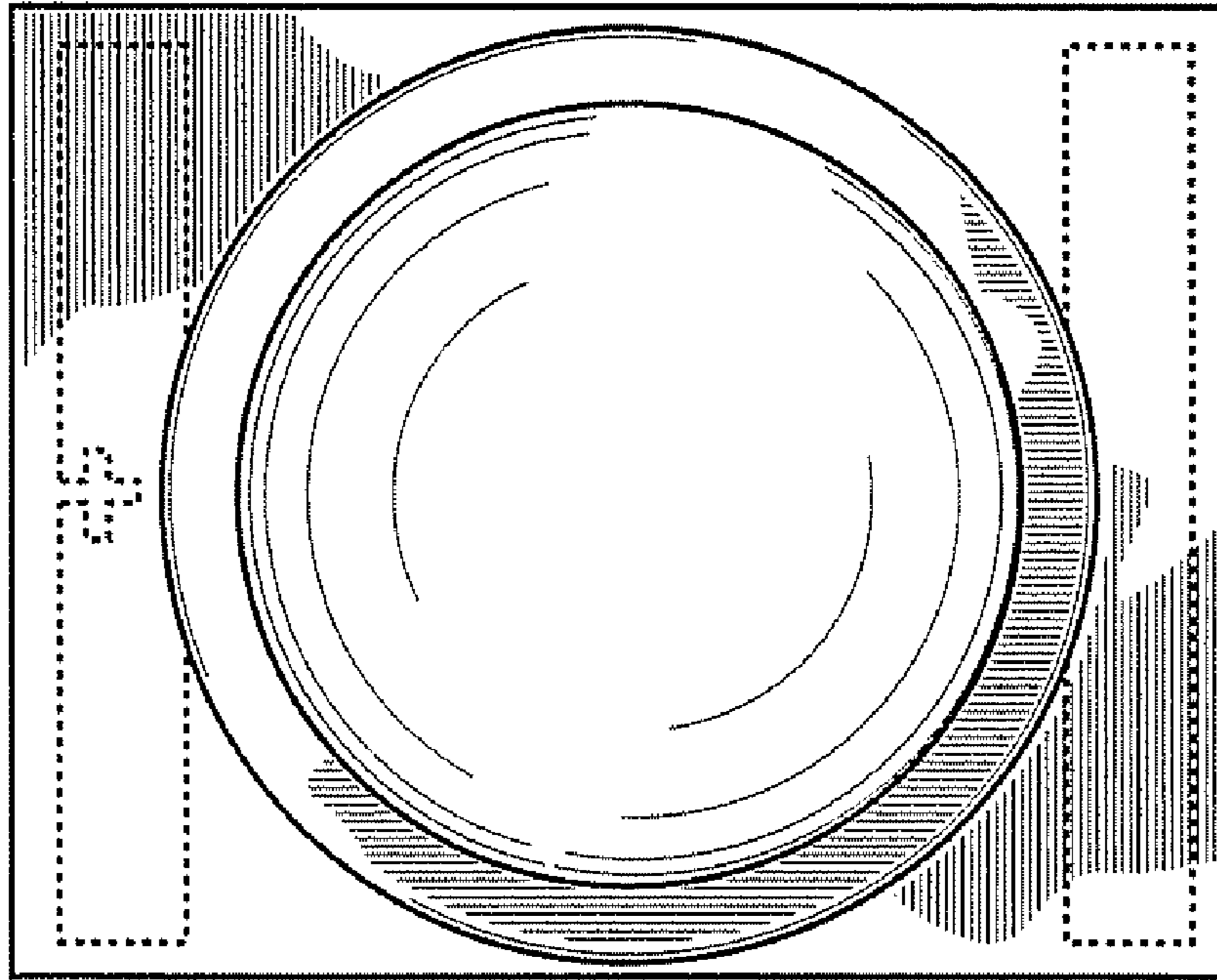


FIG. 3

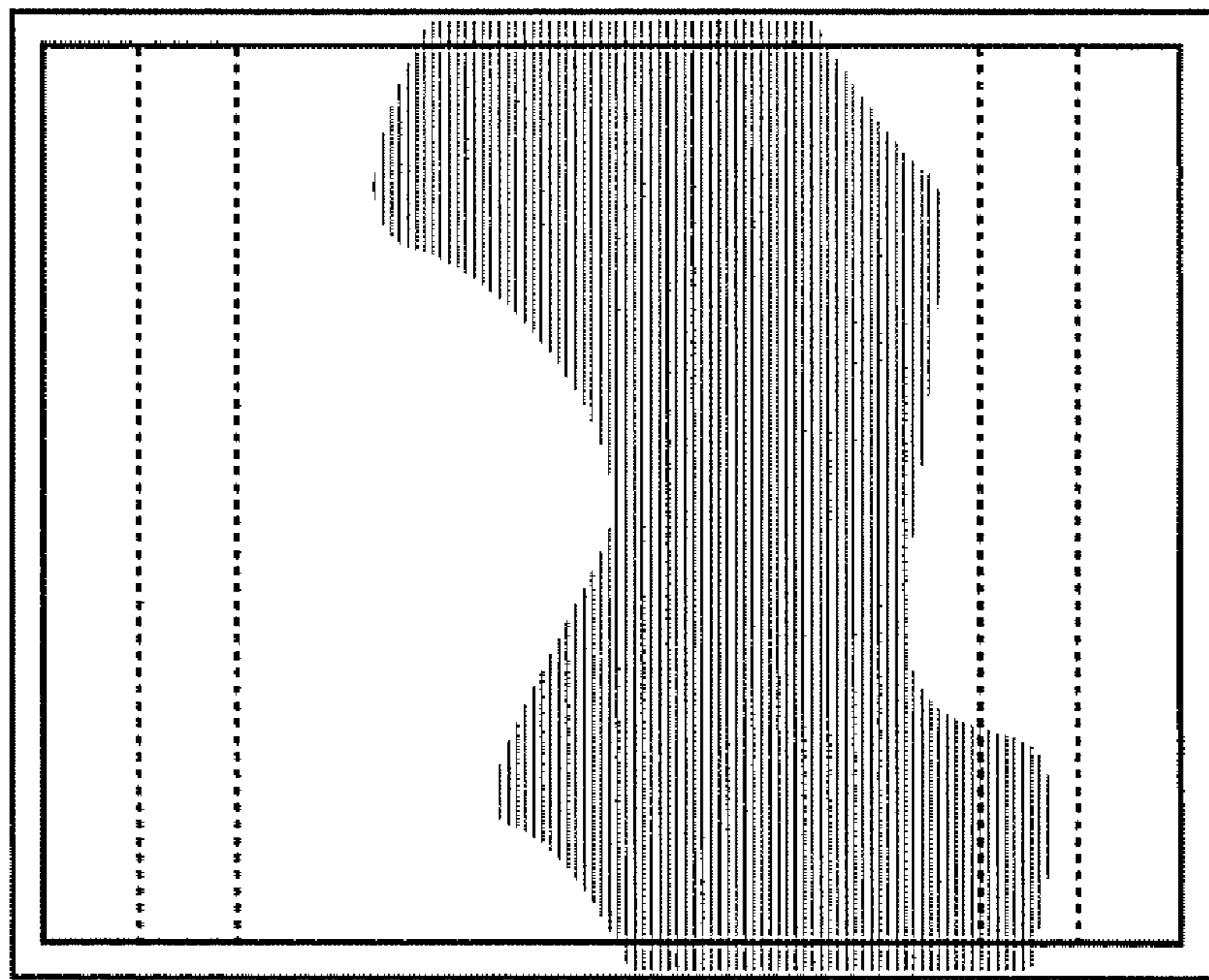


FIG. 4

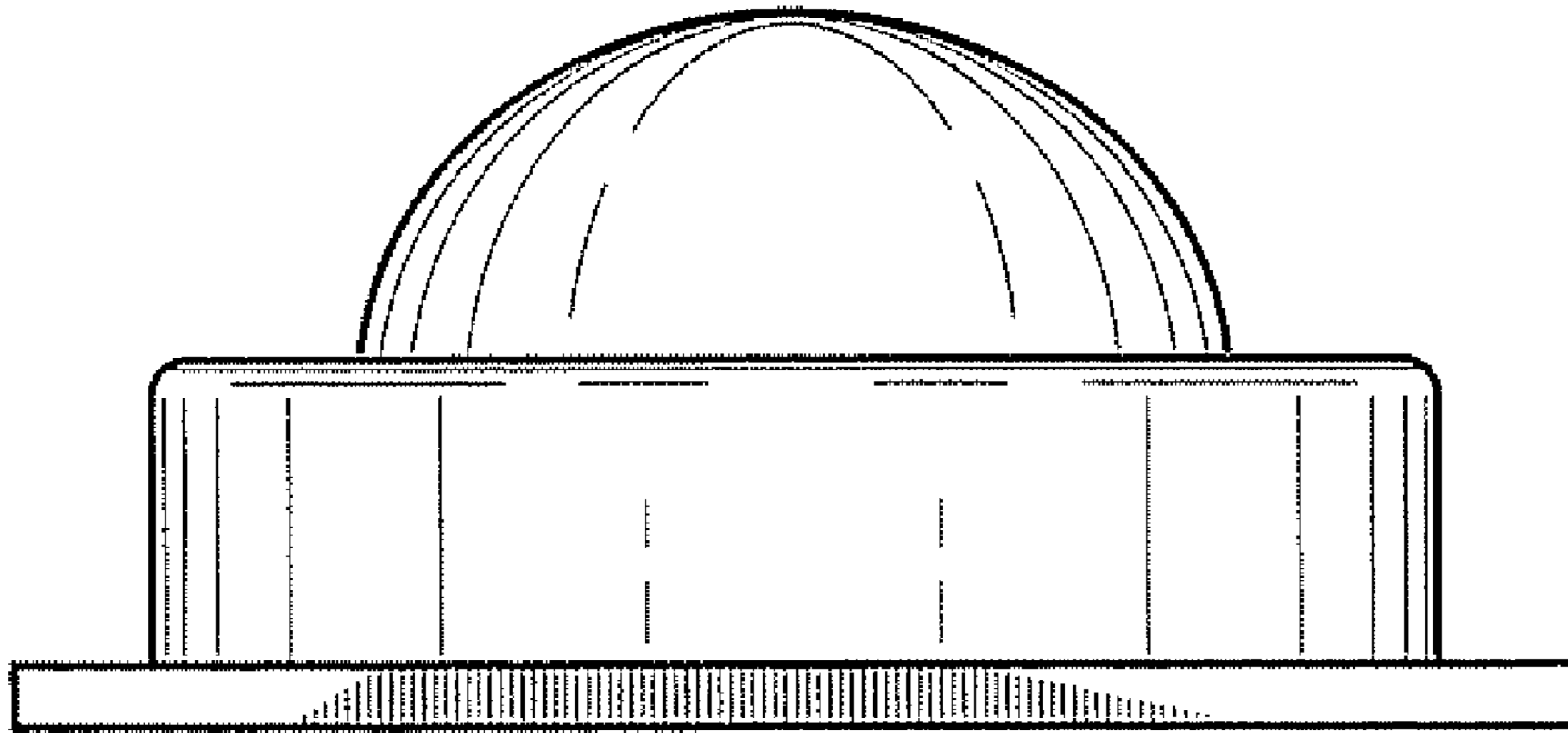


FIG. 5

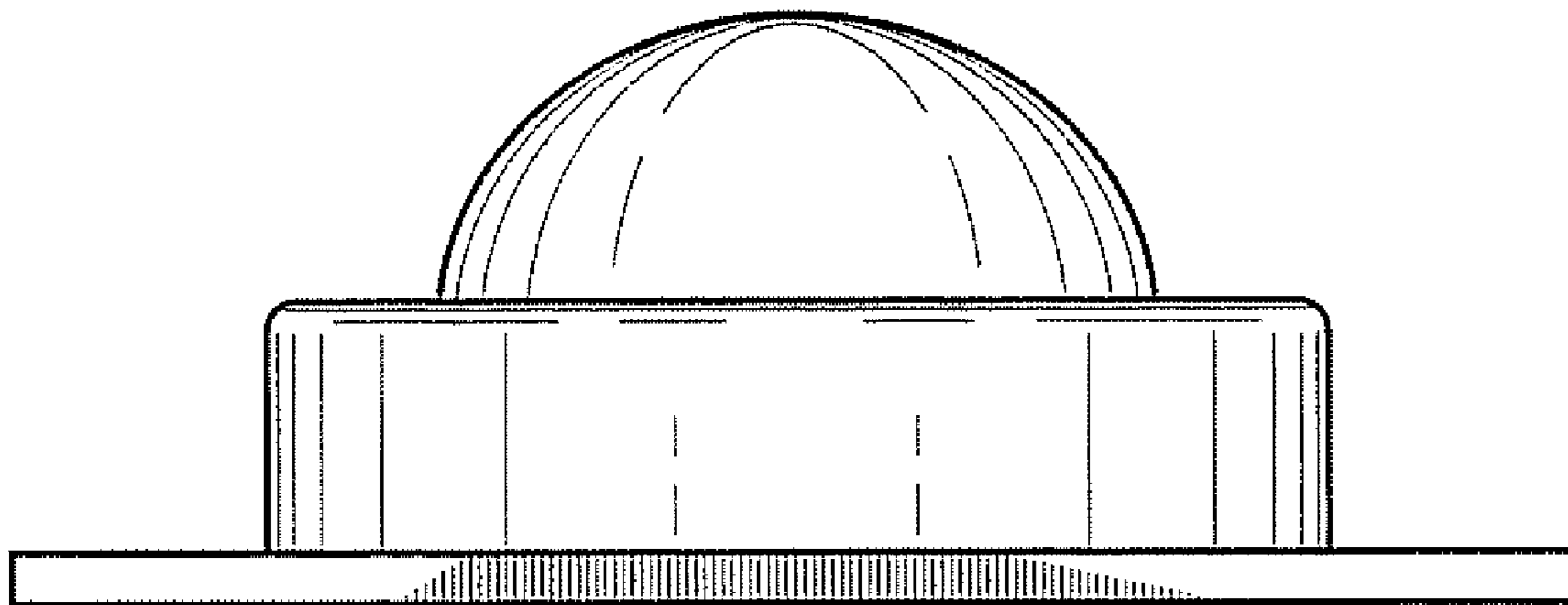


FIG. 6