



US00D591696S

(12) **United States Design Patent**
Okada et al.

(10) **Patent No.:** **US D591,696 S**

(45) **Date of Patent:** **** May 5, 2009**

(54) **LIGHT EMITTING DIODE**

(75) Inventors: **Satoshi Okada**, Anan (JP); **Yuji Satake**, Anan (JP)

(73) Assignee: **Nichia Corporation**, Anan-shi (JP)

(**) Term: **14 Years**

(21) Appl. No.: **29/318,360**

(22) Filed: **May 19, 2008**

Related U.S. Application Data

(62) Division of application No. 29/266,468, filed on Sep. 22, 2006, now Pat. No. Des. 572,671.

(30) **Foreign Application Priority Data**

Mar. 30, 2006	(JP)	2006-008060
Mar. 30, 2006	(JP)	2006-008062
Mar. 30, 2006	(JP)	2006-008077
Mar. 30, 2006	(JP)	2006-008078
Mar. 30, 2006	(JP)	2006-008079
Mar. 30, 2006	(JP)	2006-008080

(51) **LOC (9) Cl.** **13-03**

(52) **U.S. Cl.** **D13/180**

(58) **Field of Classification Search** D13/180;
D26/2; 257/79, 80, 81, 88, 89, 95, 98, 99,
257/100; 313/483, 498, 500; 362/555, 800
See application file for complete search history.

(56) **References Cited**

U.S. PATENT DOCUMENTS

6,429,464	B1	8/2002	Lin
D524,260	S	7/2006	Ishizaka et al.
7,224,000	B2	5/2007	Aanegola et al.
7,262,438	B2	8/2007	Mok et al.

D572,671	S	*	7/2008	Okada et al.	D13/180
2004/0041222	A1		3/2004	Loh		
2005/0045903	A1		3/2005	Abe et al.		
2006/0001361	A1		1/2006	Imai et al.		
2006/0273338	A1		12/2006	Lee et al.		

* cited by examiner

Primary Examiner—Selina Sikder

(74) *Attorney, Agent, or Firm*—Global IP Counselors, LLP

(57) **CLAIM**

The ornamental design for a light emitting diode, as shown and described.

DESCRIPTION

FIG. 1 is a front top side perspective view of a light emitting diode in accordance with an embodiment of my new design;

FIG. 2 is a top plan view of the light emitting diode in accordance with the embodiment of my new design;

FIG. 3 is a front elevational view of the light emitting diode in accordance with the embodiment of my new design;

FIG. 4 is a rear elevational view of the light emitting diode in accordance with the embodiment of my new design;

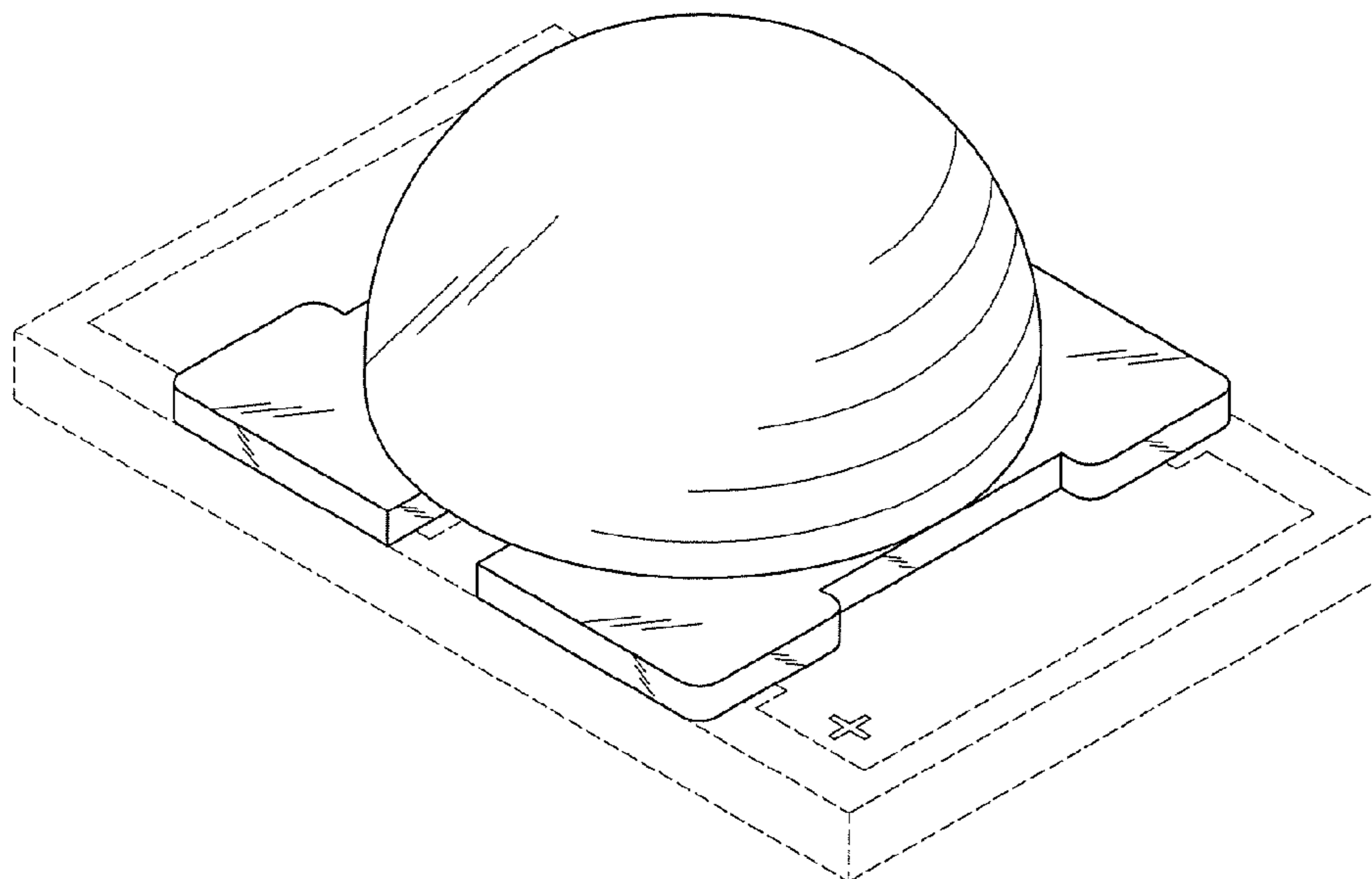
FIG. 5 is a left side end elevational view of the light emitting diode in accordance with the embodiment of my new design; and,

FIG. 6 is a right side end elevational view of the light emitting diode in accordance with the embodiment of my new design.

The broken line showing of environment (the remaining structure of the light emitting diode) in the Figures is for illustrative purposes only and forms no part of the claimed design.

The opaque line shading illustrates a translucent portion of the light emitting diode.

1 Claim, 3 Drawing Sheets



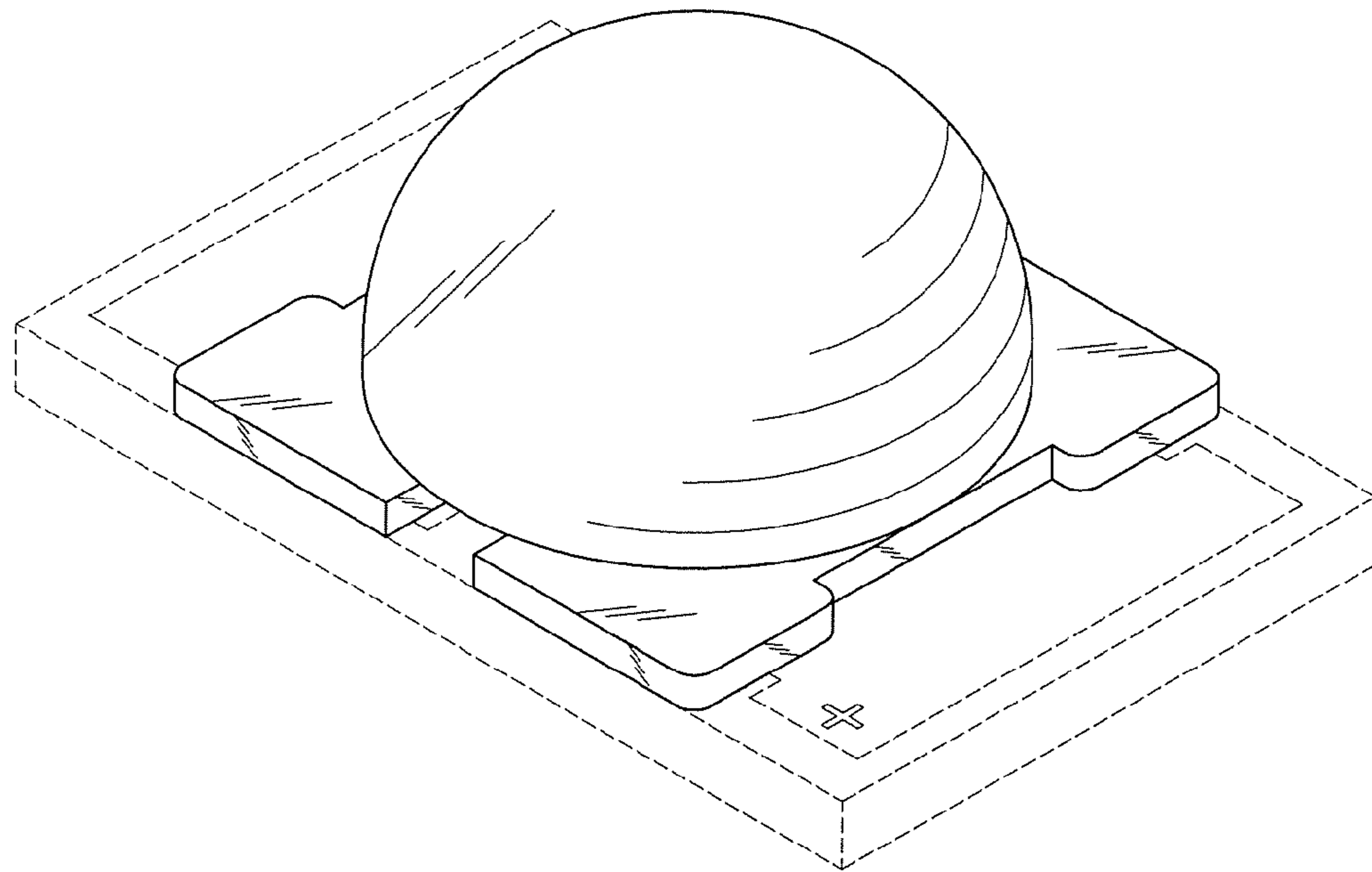


FIG. 1

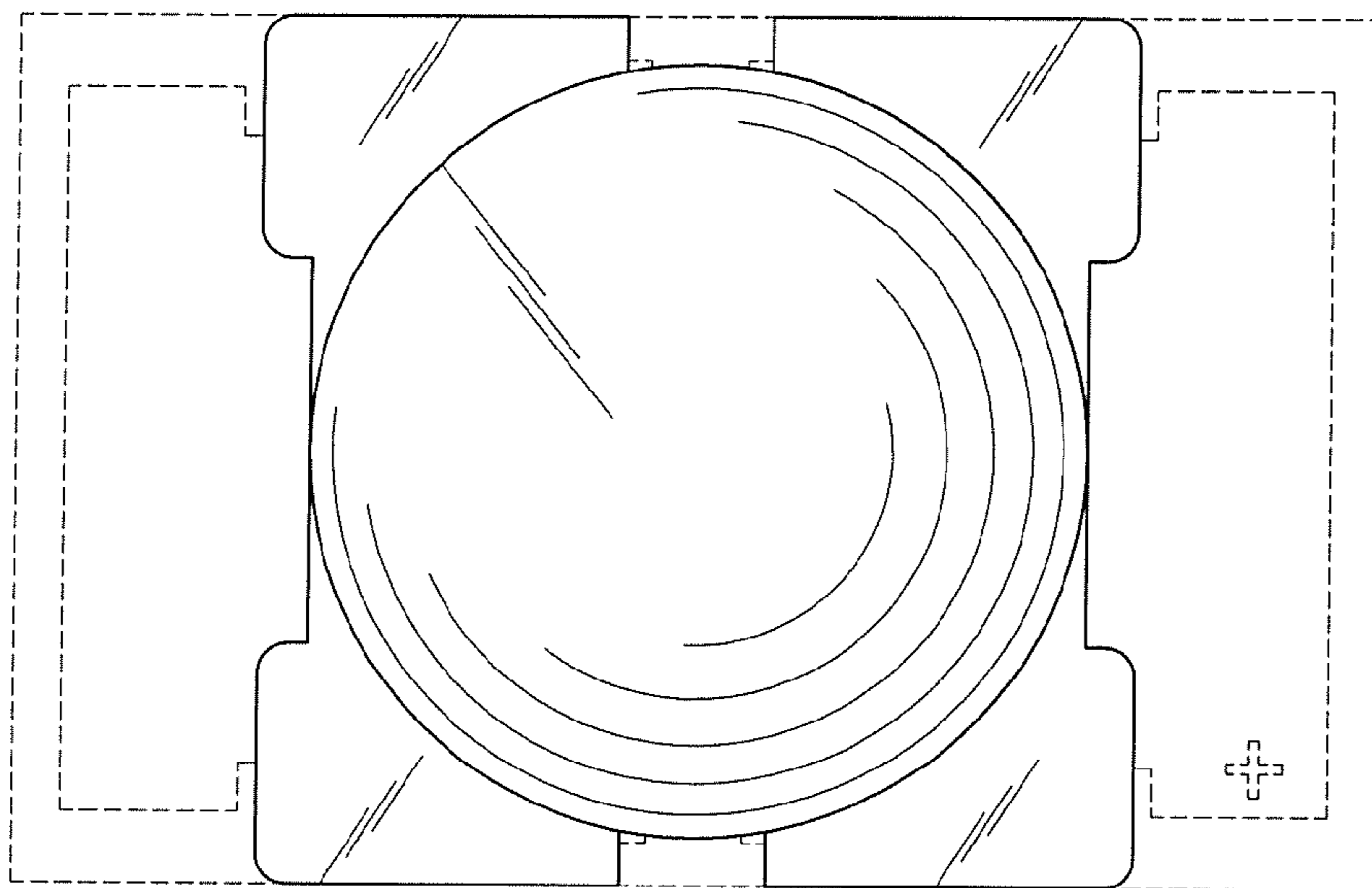


FIG. 2

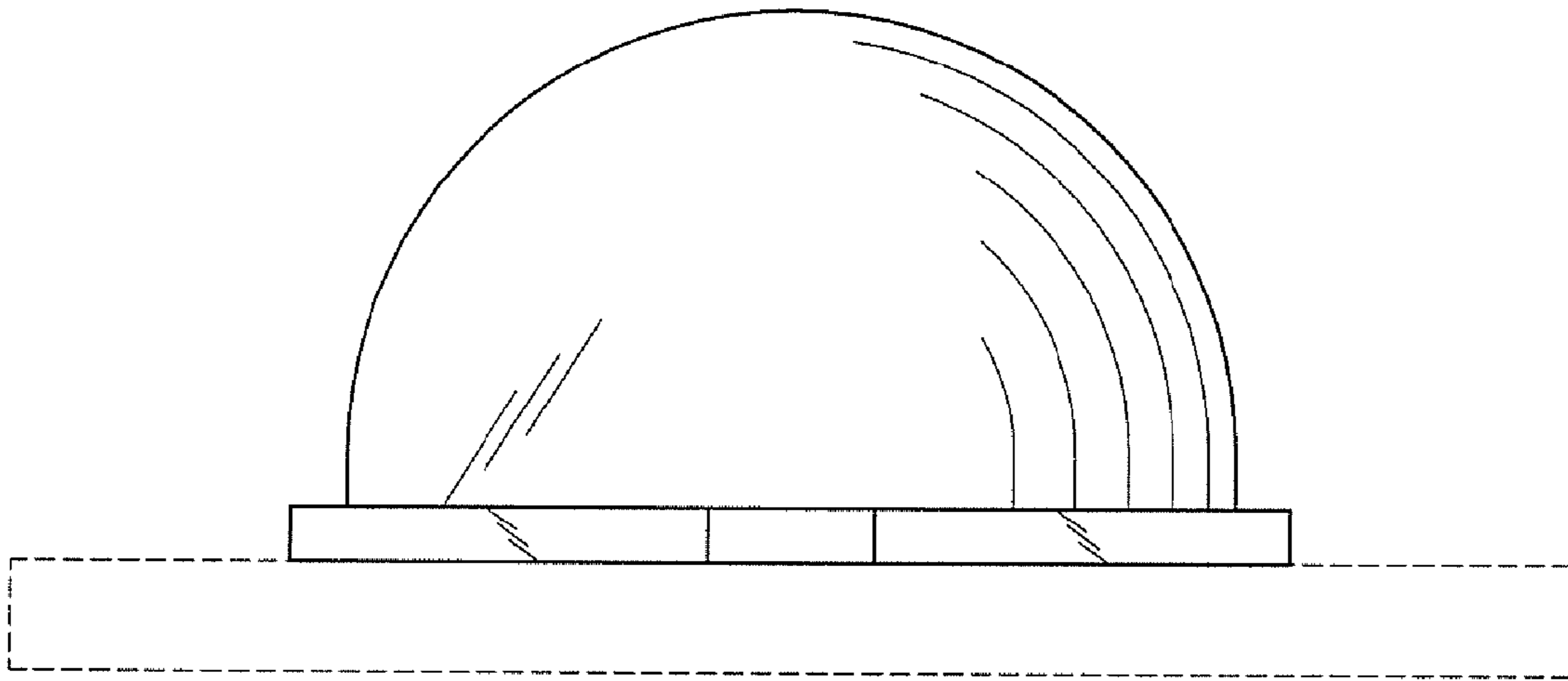


FIG. 3

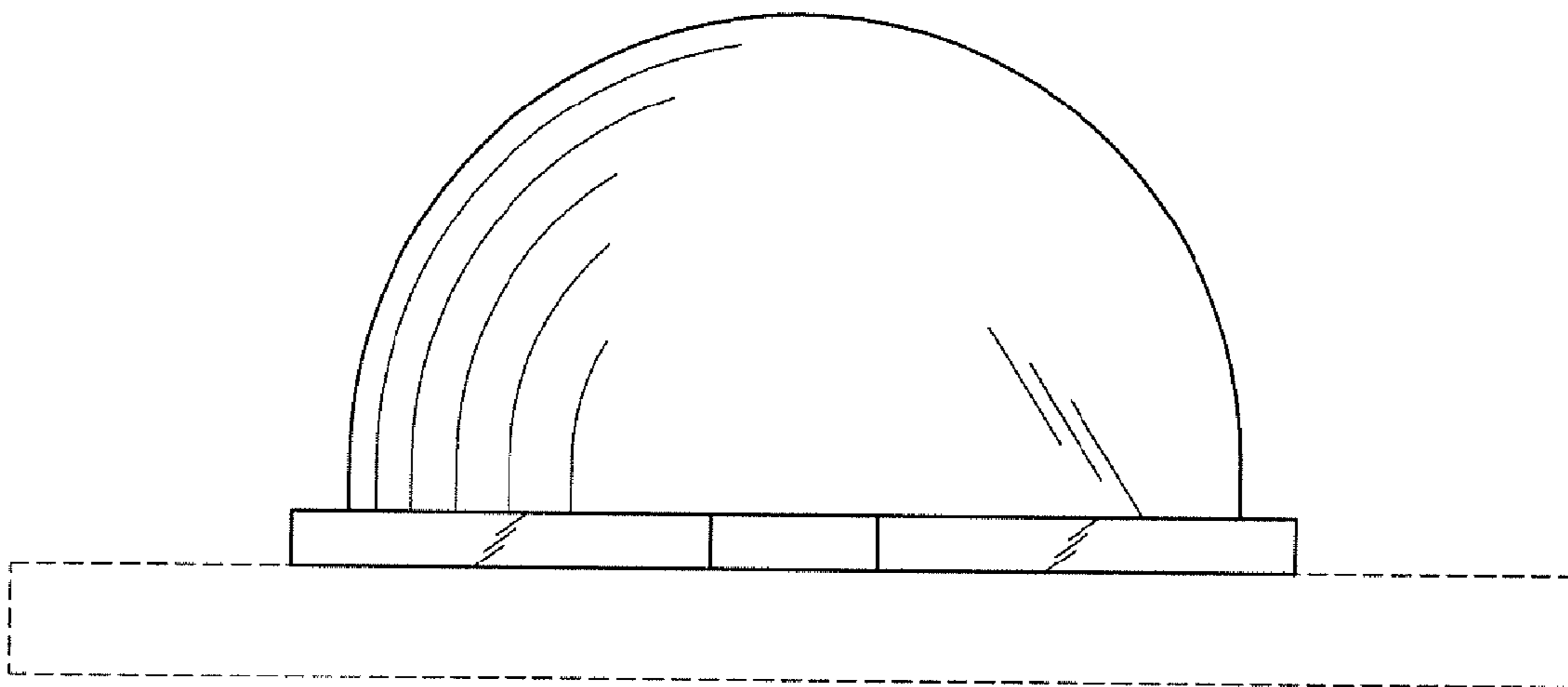


FIG. 4

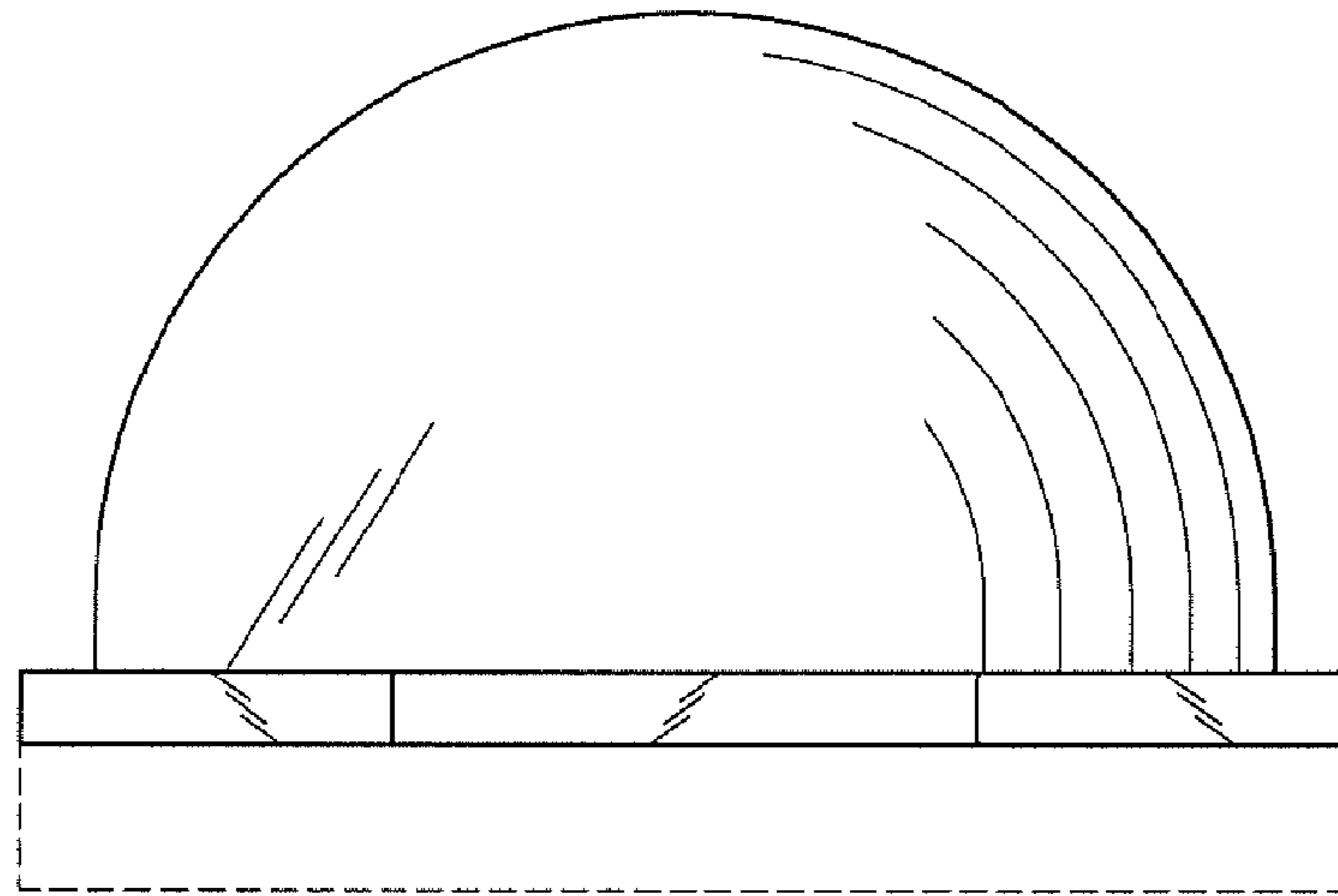


FIG. 5

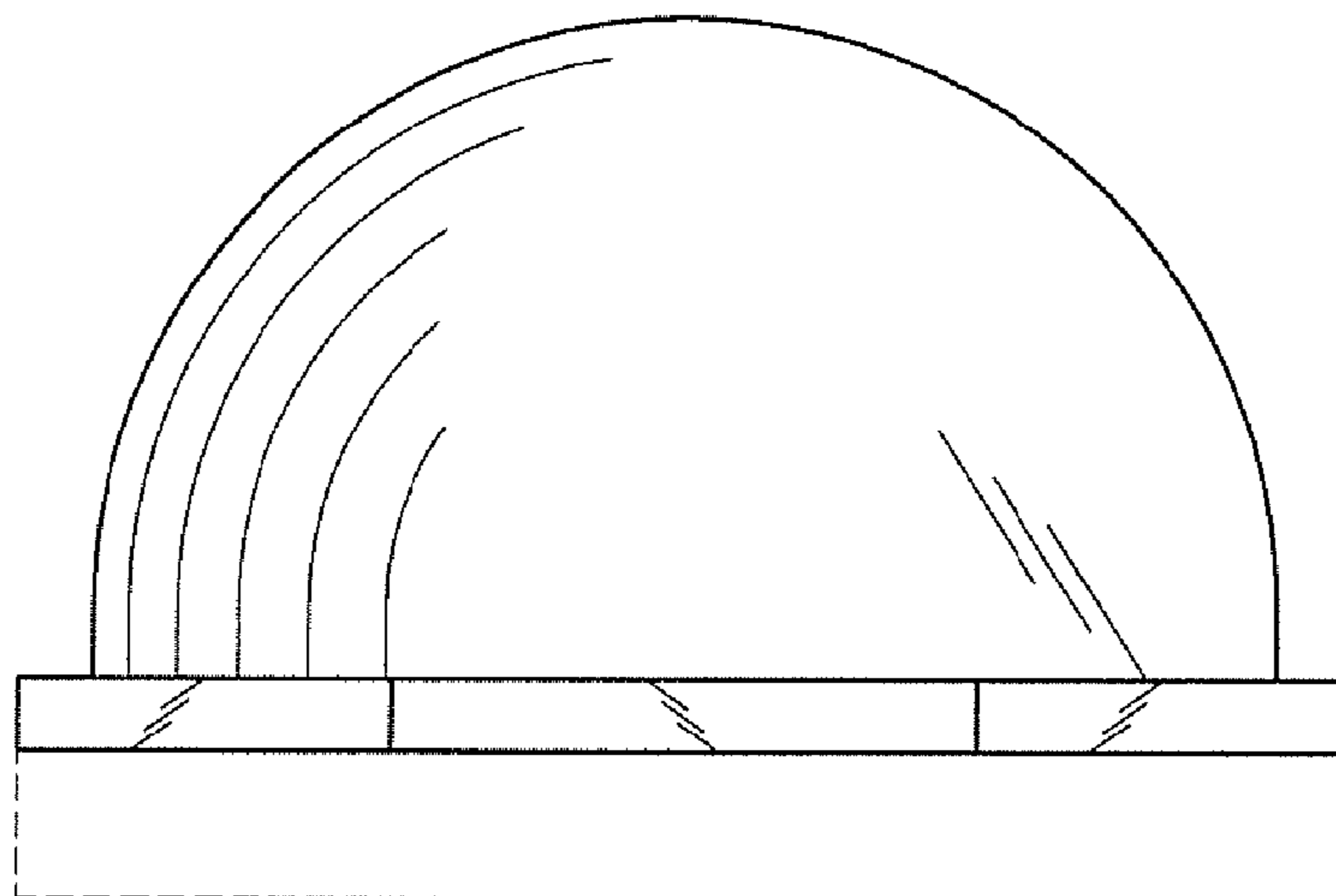


FIG. 6