



US00D591695S

(12) **United States Design Patent**
Oh et al.

(10) **Patent No.:** **US D591,695 S**
(45) **Date of Patent:** **** May 5, 2009**

(54) **LIGHT-EMITTING DIODE MODULE**

(75) Inventors: **Kyung Seob Oh**, Incheon (KR); **Min Sang Lee**, Gyunggi-do (KR); **Tae Hong Lee**, Seoul (KR)

(73) Assignee: **Samsung Electro-Mechanics Co., Ltd.**, Gyunggi-Do (KR)

(**) Term: **14 Years**

(21) Appl. No.: **29/290,410**

(22) Filed: **Dec. 4, 2007**

(30) **Foreign Application Priority Data**

Jul. 11, 2007 (KR) 30-2007-0030131

(51) **LOC (9) Cl.** **13-03**

(52) **U.S. Cl.** **D13/180**

(58) **Field of Classification Search** D13/180;
D26/1, 24, 72, 89; 257/79, 80, 81, 88, 89,
257/95, 98, 99, 100, 678; 313/483, 498,
313/500; 362/555, 800; D7/554.2; D21/307,
D21/308; 118/500

See application file for complete search history.

(56) **References Cited**

U.S. PATENT DOCUMENTS

D213,464 S * 3/1969 Meyer D26/89
5,098,501 A * 3/1992 Nishiguchi 156/275.5
5,403,401 A * 4/1995 Haafkens et al. 118/728
D363,464 S * 10/1995 Fukasawa D13/182
D411,516 S * 6/1999 Imafuku et al. D13/182
6,106,137 A * 8/2000 Adams et al. 362/237

D515,224 S * 2/2006 Egawa D26/1
D523,825 S 6/2006 Egawa
D528,996 S * 9/2006 Egawa D13/180
D530,288 S * 10/2006 Nagai D13/180
7,223,308 B2 * 5/2007 Pancham et al. 118/500
2004/0222426 A1 * 11/2004 Hsiung 257/79
2007/0170563 A1 * 7/2007 Chen 257/678
2007/0171641 A1 * 7/2007 Sassoon 362/244

* cited by examiner

Primary Examiner—Selina Sikder

(74) *Attorney, Agent, or Firm*—McDermott Will & Emery LLP

(57) **CLAIM**

The ornamental design for the light emitting diode module, as shown and described.

DESCRIPTION

FIG. 1 is the perspective view of the light emitting diode module

FIG. 2 is the front view thereof (the rear view thereof is a mirror image of this)

FIG. 3 is the left view thereof (the right side view thereof is a mirror image of this)

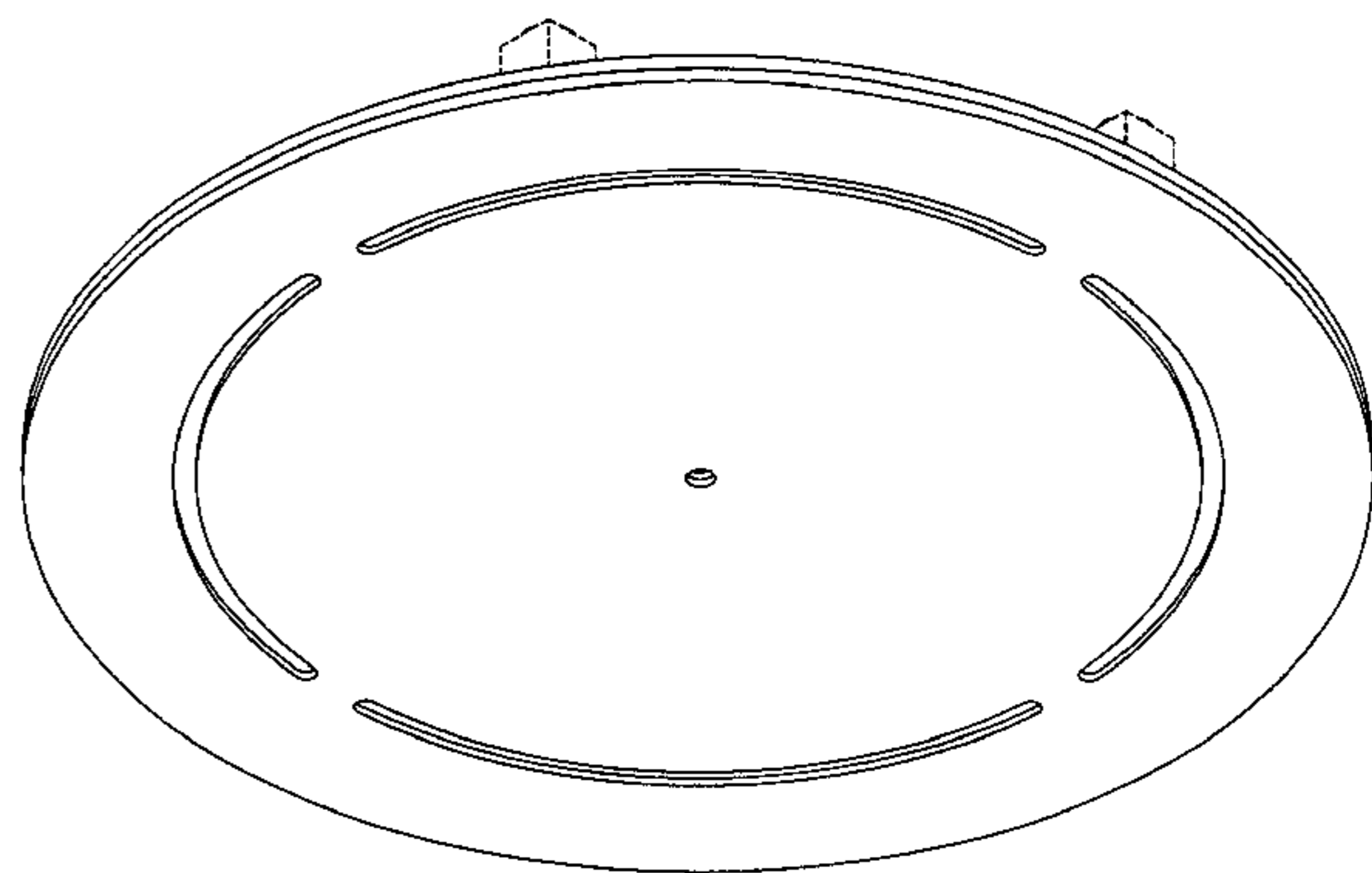
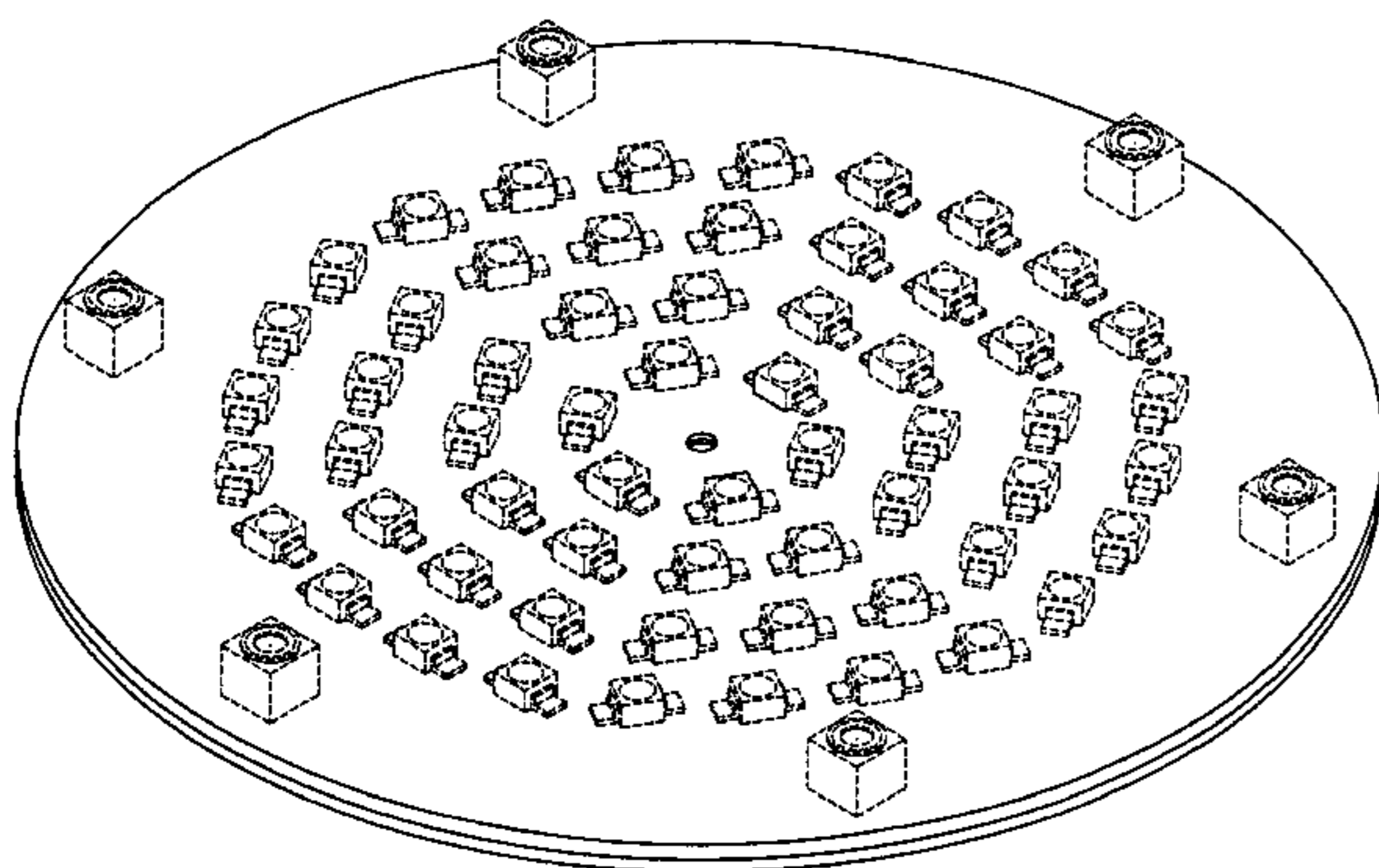
FIG. 4 is the top plan view thereof

FIG. 5 is the bottom view thereof; and,

FIG. 6 is a bottom perspective view thereof.

The broken line showing of the environment is for illustrative purposes only and forms no part of the claimed design.

1 Claim, 4 Drawing Sheets



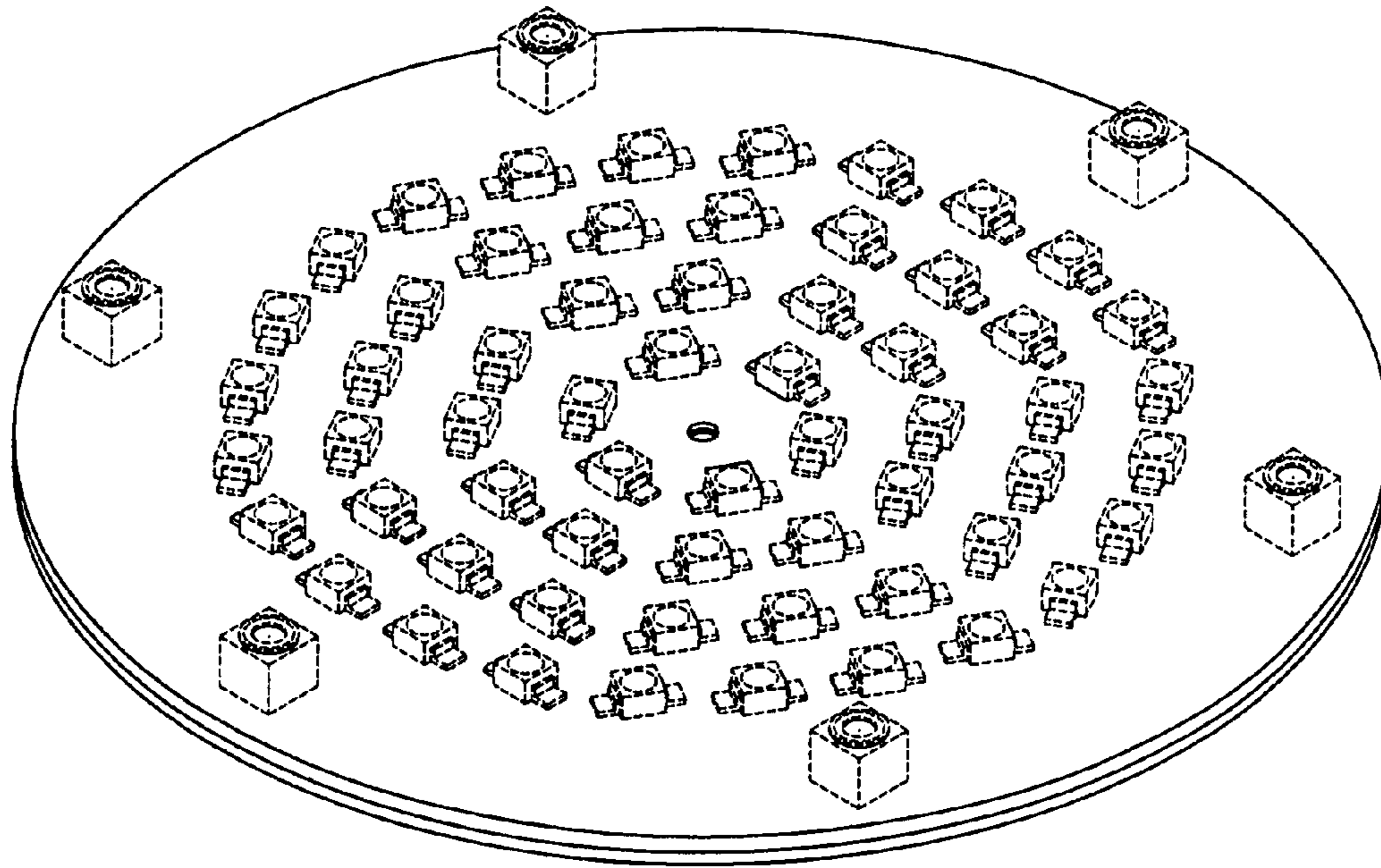


FIG. 1



FIG. 2

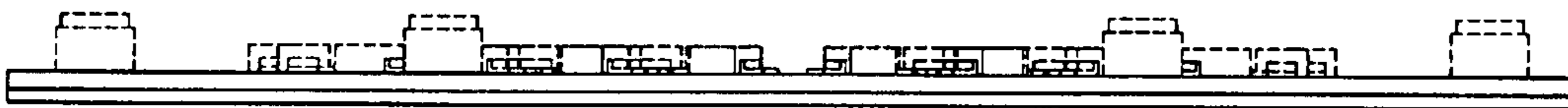


FIG. 3

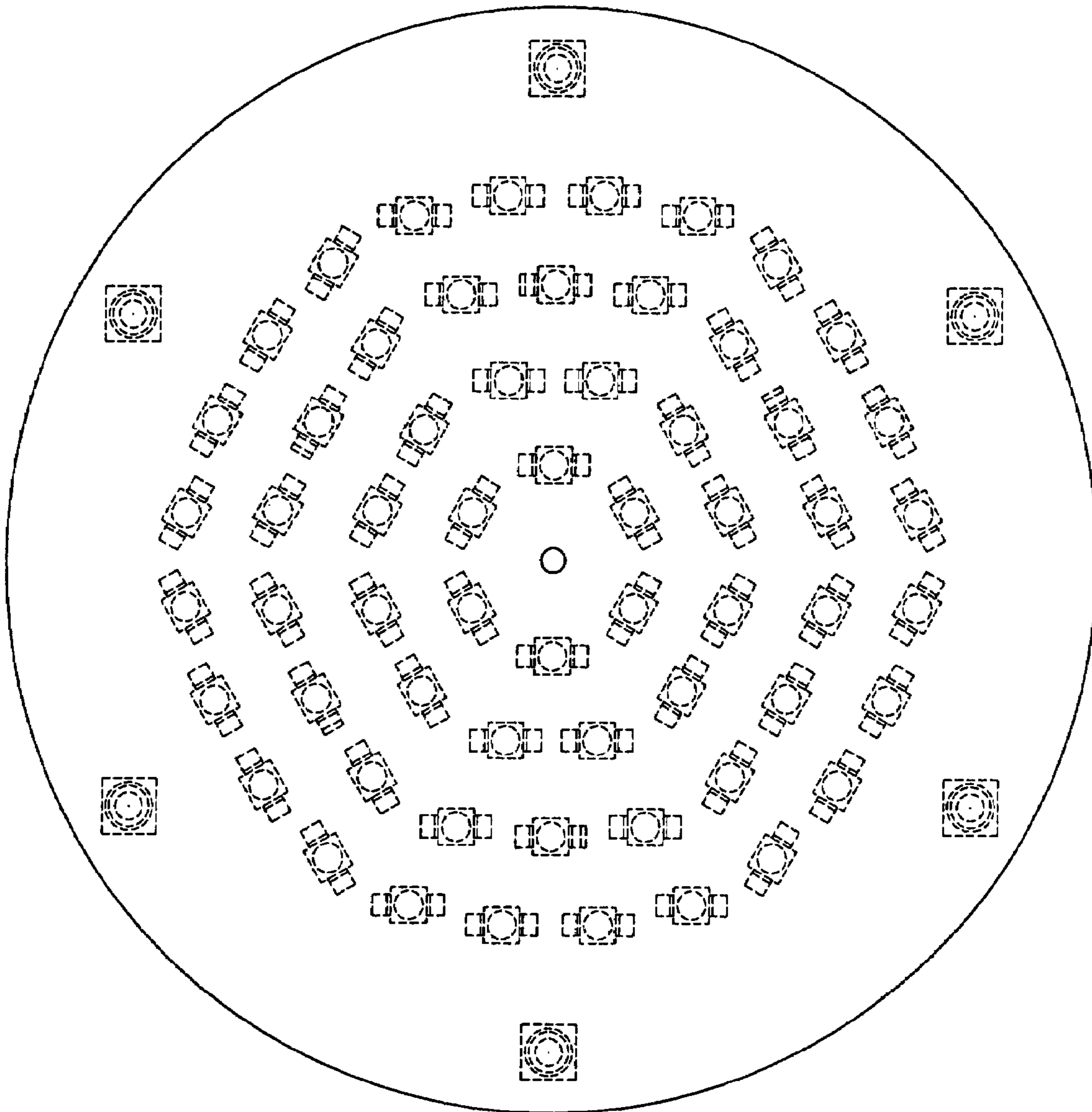


FIG. 4

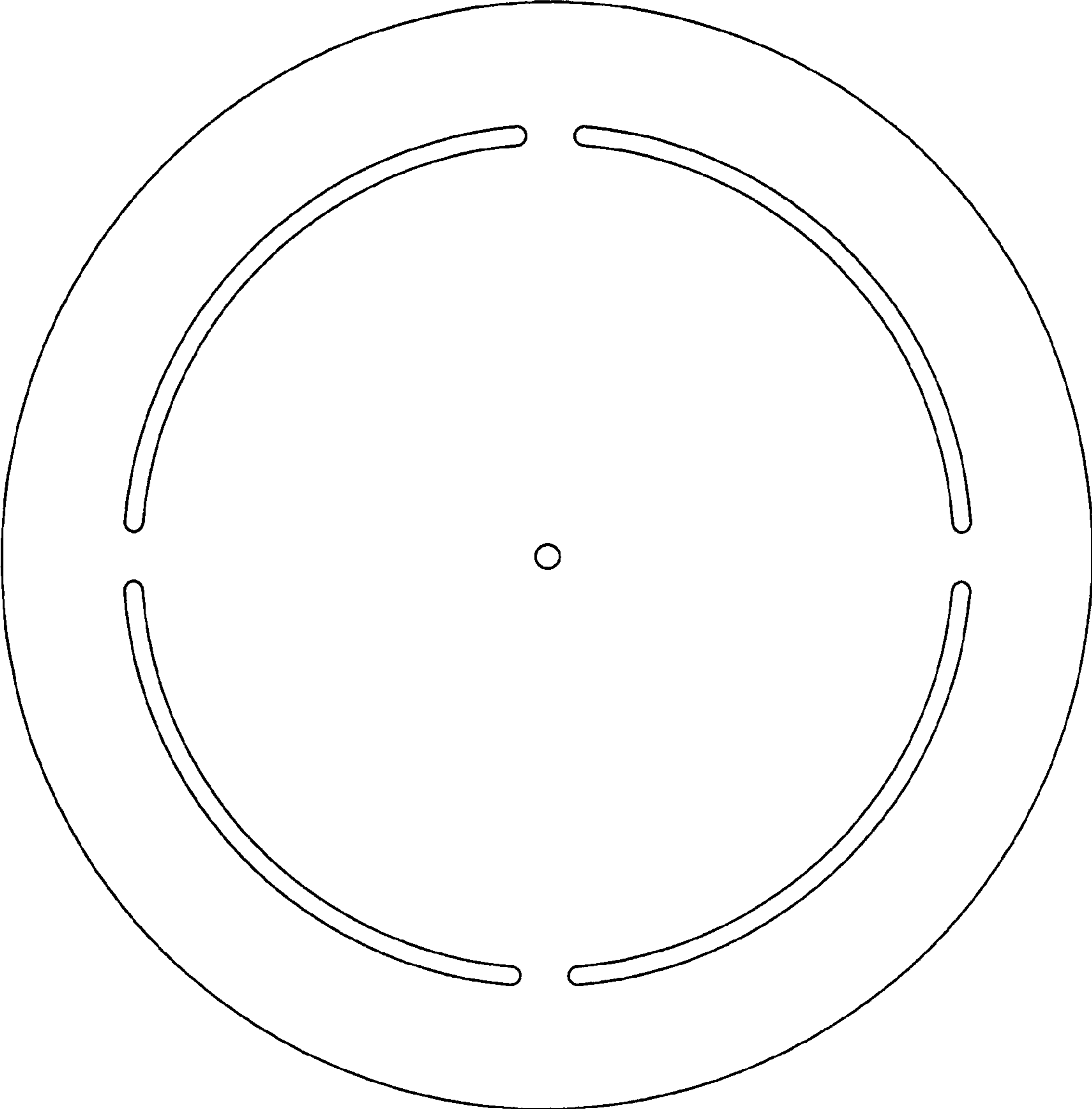


FIG. 5

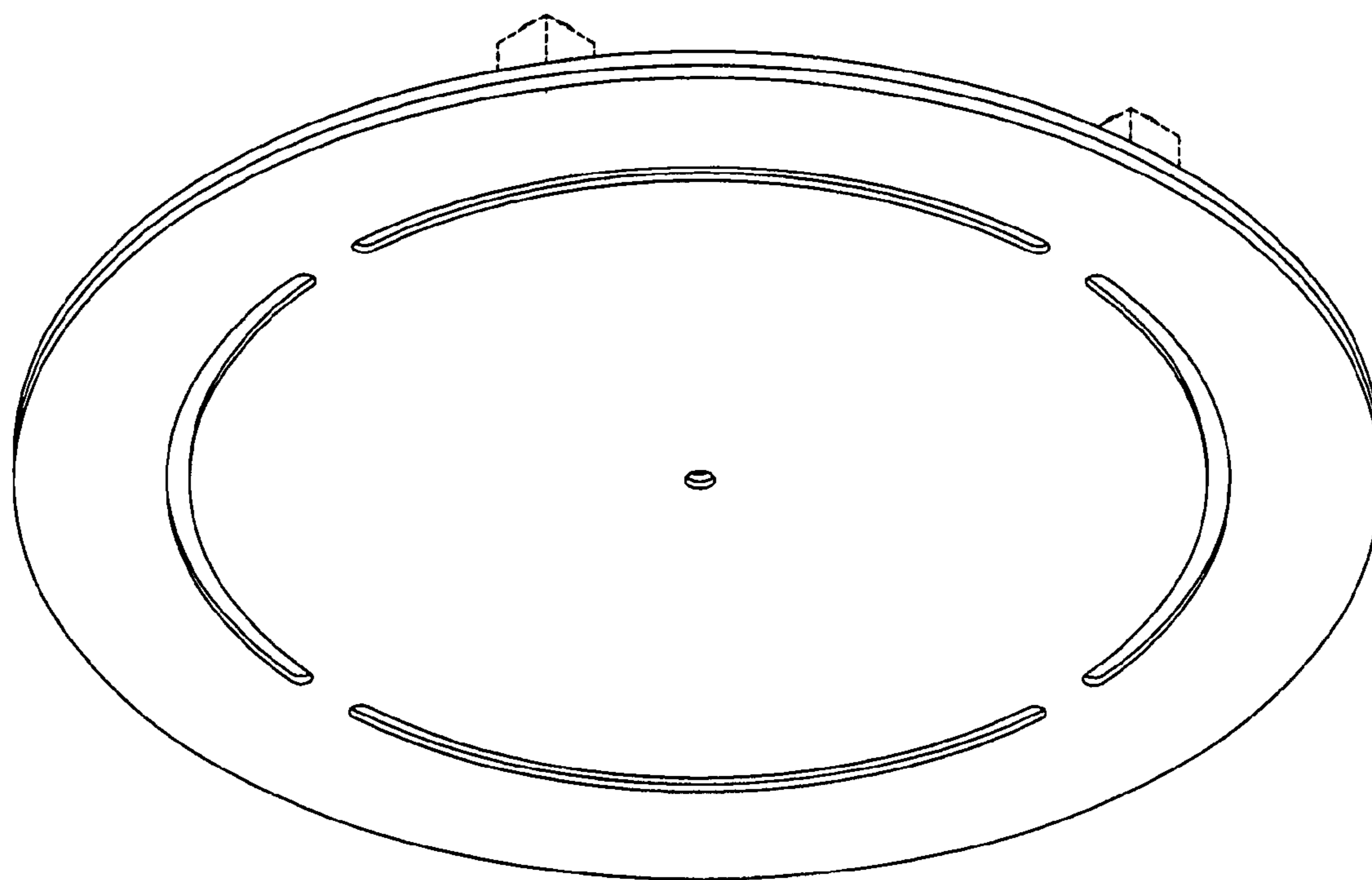


FIG. 6