



US00D591691S

(12) **United States Design Patent**
Baker et al.

(10) **Patent No.:** **US D591,691 S**
(45) **Date of Patent:** **** May 5, 2009**

(54) **OVERVOLTAGE PROTECTION PLUG**

(75) Inventors: **Scott K. Baker**, Richfield, MN (US);
Cyle Petersen, Belle Plaine, MN (US)

(73) Assignee: **ADC Telecommunications, Inc.**, Eden
Prairie, MN (US)

(**) Term: **14 Years**

(21) Appl. No.: **29/273,234**

(22) Filed: **Feb. 28, 2007**

(51) **LOC (9) Cl.** **13-03**

(52) **U.S. Cl.** **D13/160; D13/124**

(58) **Field of Classification Search** D13/133,
D13/154, 161, 160, 124; 439/717, 721, 725
See application file for complete search history.

(56) **References Cited**

U.S. PATENT DOCUMENTS

D215,545 S *	10/1969	Huska	D13/133
4,345,294 A *	8/1982	Forberg et al.	361/119
4,420,200 A	12/1983	Forberg et al.		
4,420,892 A	12/1983	Braun et al.		
D273,104 S *	3/1984	Cousins	D13/156
4,502,088 A	2/1985	Baumbach		
4,594,635 A	6/1986	Scheithauer et al.		
4,626,955 A	12/1986	Cwirzen		
4,642,723 A	2/1987	Achtnig et al.		
4,649,456 A	3/1987	De Luca et al.		
4,741,711 A	5/1988	Singer, Jr.		
4,759,726 A *	7/1988	Naylor et al.	439/441
4,882,748 A	11/1989	Meyerhoefer		
4,887,183 A	12/1989	Biederstedt et al.		
4,958,253 A	9/1990	Gilberts et al.		
4,964,160 A	10/1990	Traube et al.		
4,986,768 A	1/1991	Bramkamp et al.		
5,086,368 A	2/1992	Gerke et al.		

5,155,650 A	10/1992	Pitsch et al.
5,157,580 A	10/1992	Hegner et al.
5,172,295 A	12/1992	Hegner et al.
5,187,634 A	2/1993	Pitsch et al.

(Continued)

FOREIGN PATENT DOCUMENTS

CA 1333409 12/1994

OTHER PUBLICATIONS

Pending U.S. Appl. No. 11/712,234, Baker et al., filed Feb. 28, 2007.

(Continued)

Primary Examiner—Daniel D Bui

Assistant Examiner—Thomas J Johannes

(74) *Attorney, Agent, or Firm*—Merchant & Gould P.C.

(57) **CLAIM**

The ornamental design for an overvoltage protection plug, as shown and described.

DESCRIPTION

FIG. 1 is a front perspective view of an overvoltage protection plug showing our new design;

FIG. 2 is a rear perspective view thereof;

FIG. 3 is a right side elevational view thereof;

FIG. 4 is a left side elevational view thereof;

FIG. 5 is a front elevational view thereof;

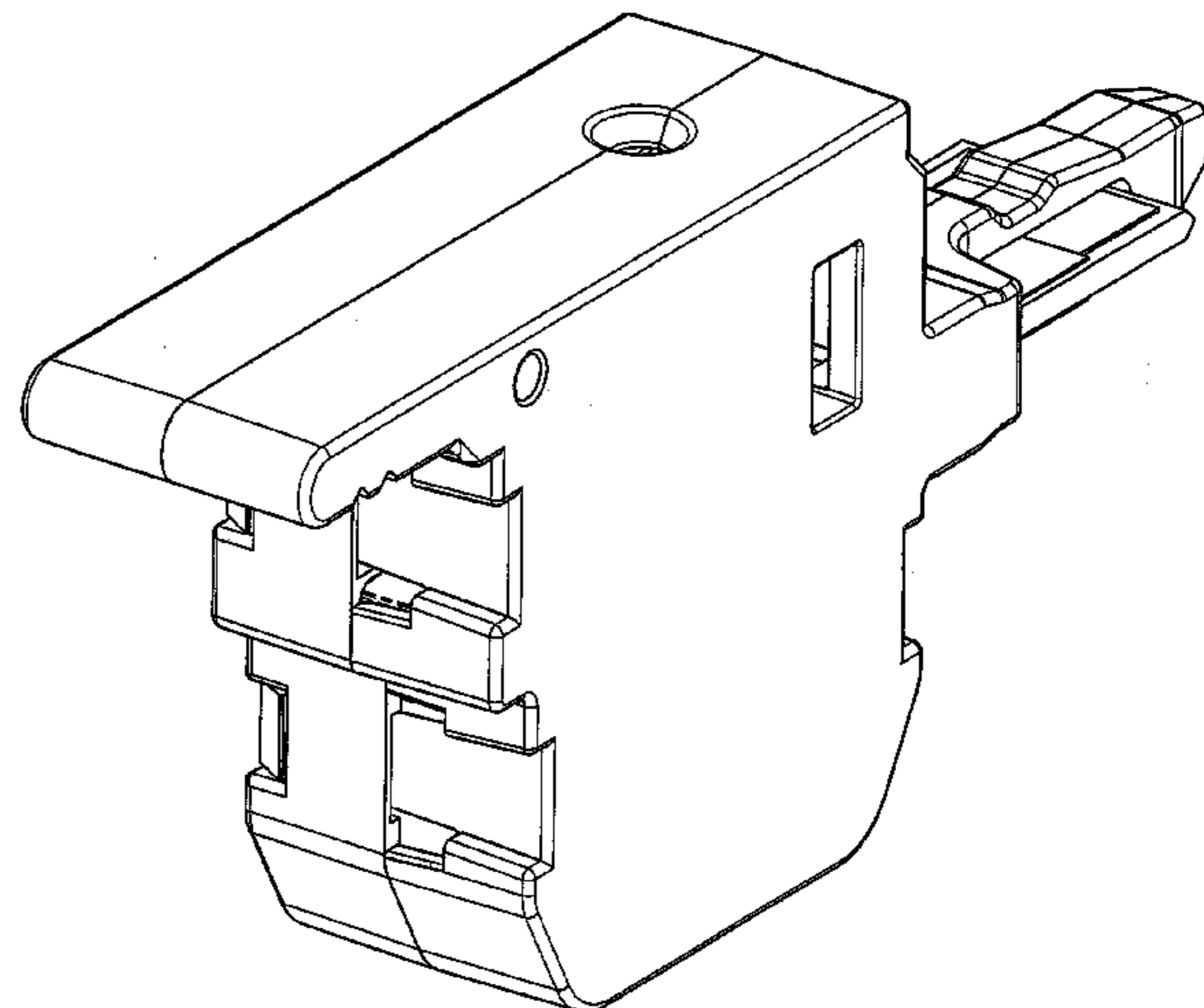
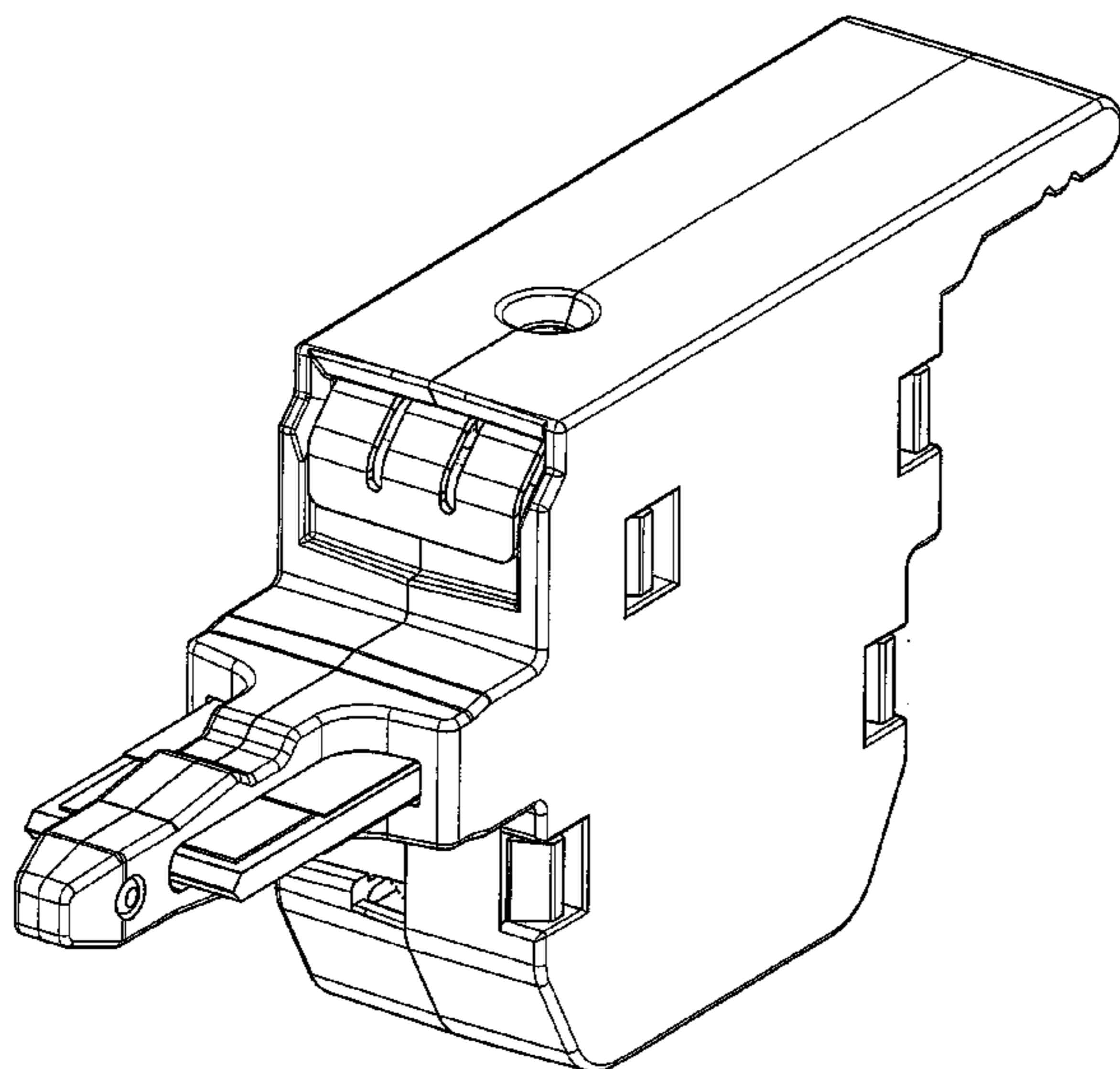
FIG. 6 is a rear elevational view thereof;

FIG. 7 is a top plan view thereof; and,

FIG. 8 is a bottom plan view thereof.

The broken line portion of the figure drawings is included to show unclaimed internal elements within the shell of the design only and forms no part of the claimed design.

1 Claim, 6 Drawing Sheets



US D591,691 S

Page 2

U.S. PATENT DOCUMENTS

5,248,953 A 9/1993 Hönl
5,299,088 A 3/1994 Hönl et al.
5,341,269 A 8/1994 Hayward et al.
5,357,568 A 10/1994 Pelegris
5,369,543 A 11/1994 Bonnesen et al.
5,371,648 A 12/1994 Bonvallat
D354,940 S * 1/1995 Speiser et al. D13/133
5,398,152 A 3/1995 Borkowicz et al.
5,410,443 A 4/1995 Pelegris
5,546,267 A 8/1996 Frederiksen et al.
5,555,153 A 9/1996 Frederiksen et al.
5,574,614 A 11/1996 Busse et al.
5,574,615 A 11/1996 Busse et al.
5,596,475 A 1/1997 Figueiredo et al.
5,627,721 A 5/1997 Figueiredo et al.
5,808,849 A 9/1998 Storbeck
D402,628 S * 12/1998 Canuto et al. D13/133
5,883,953 A 3/1999 Pelegris
5,910,877 A 6/1999 Paske et al.

5,923,238 A 7/1999 Polzehl et al.
5,936,821 A 8/1999 Busse et al.
5,999,412 A 12/1999 Busse et al.
D429,690 S * 8/2000 Fristedt D13/146
6,266,223 B1 7/2001 Curry
6,302,723 B1 10/2001 Baum et al.
6,445,560 B1 9/2002 Bobert et al.
D472,877 S * 4/2003 Jaag D13/133
6,654,223 B1 11/2003 Bippus et al.
D523,819 S * 6/2006 Christianson et al. D13/154
D535,618 S * 1/2007 Hu et al. D13/133
2004/0246644 A1 12/2004 Sato et al.
2008/0032566 A1 * 2/2008 Walter et al. 439/721

OTHER PUBLICATIONS

International Search Report and Written Opinion mailed Jul. 10, 2008 for International Application No. PCT/US2008/054747; filed Feb. 22, 2008.

* cited by examiner

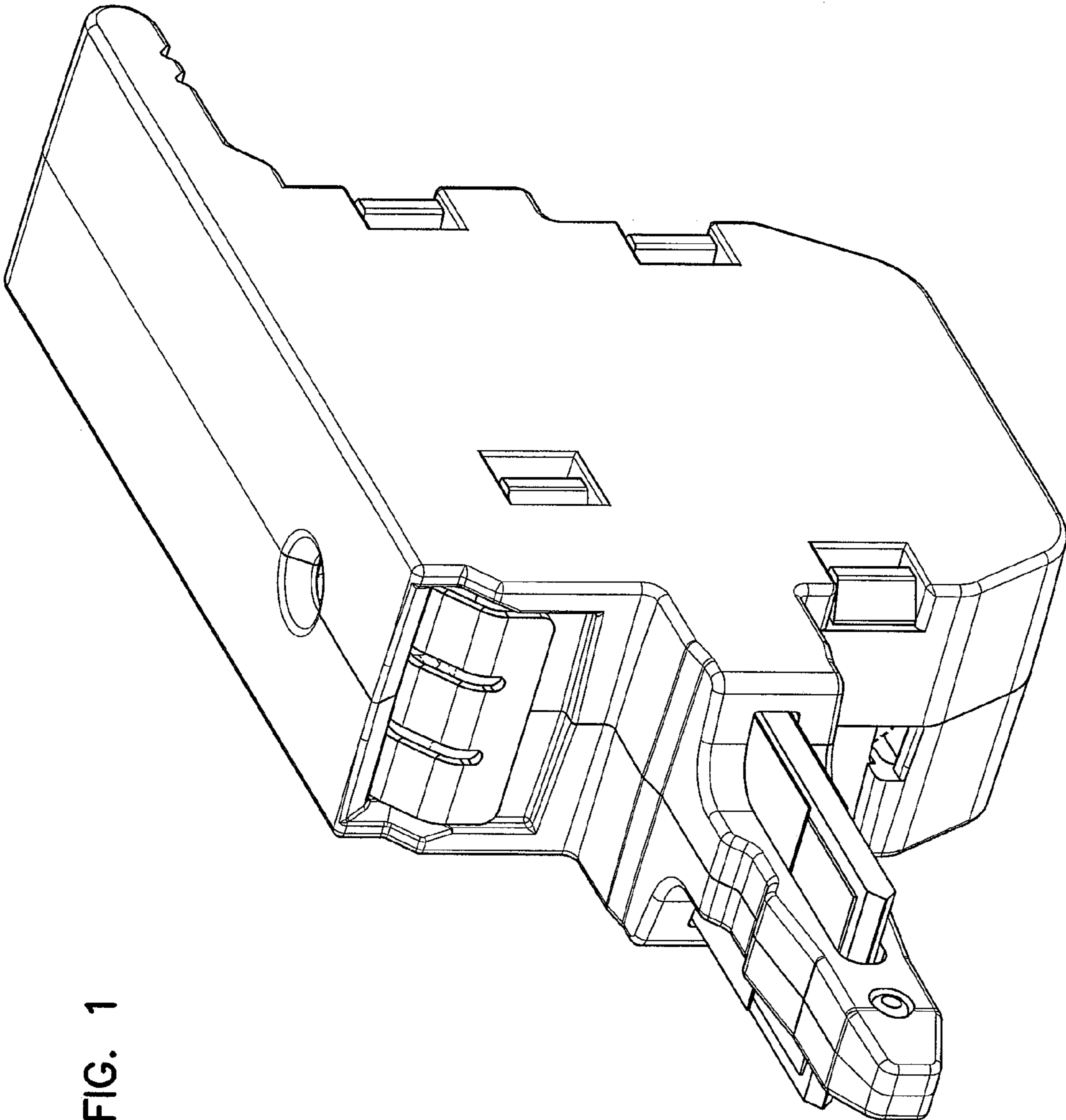


FIG. 1

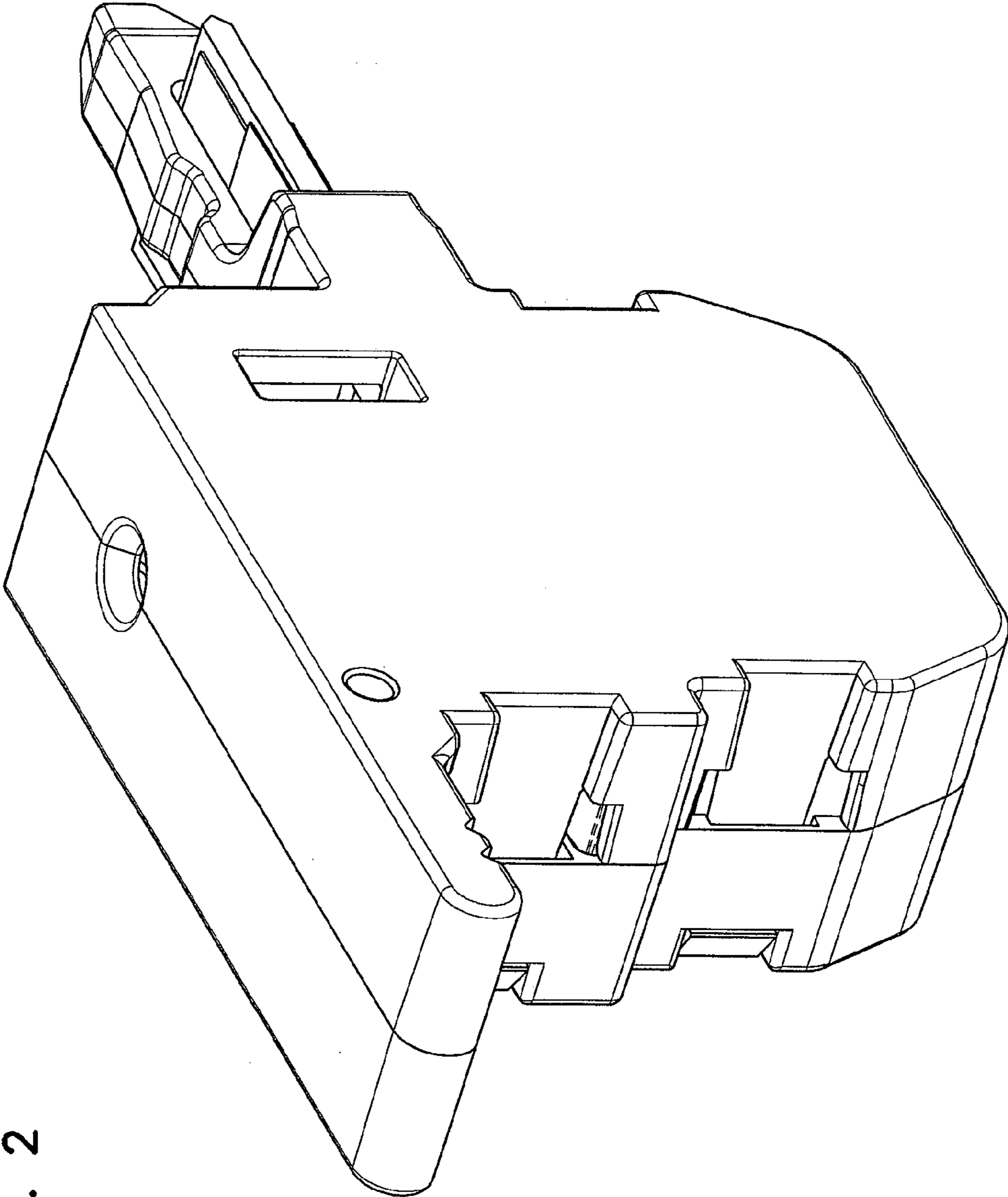
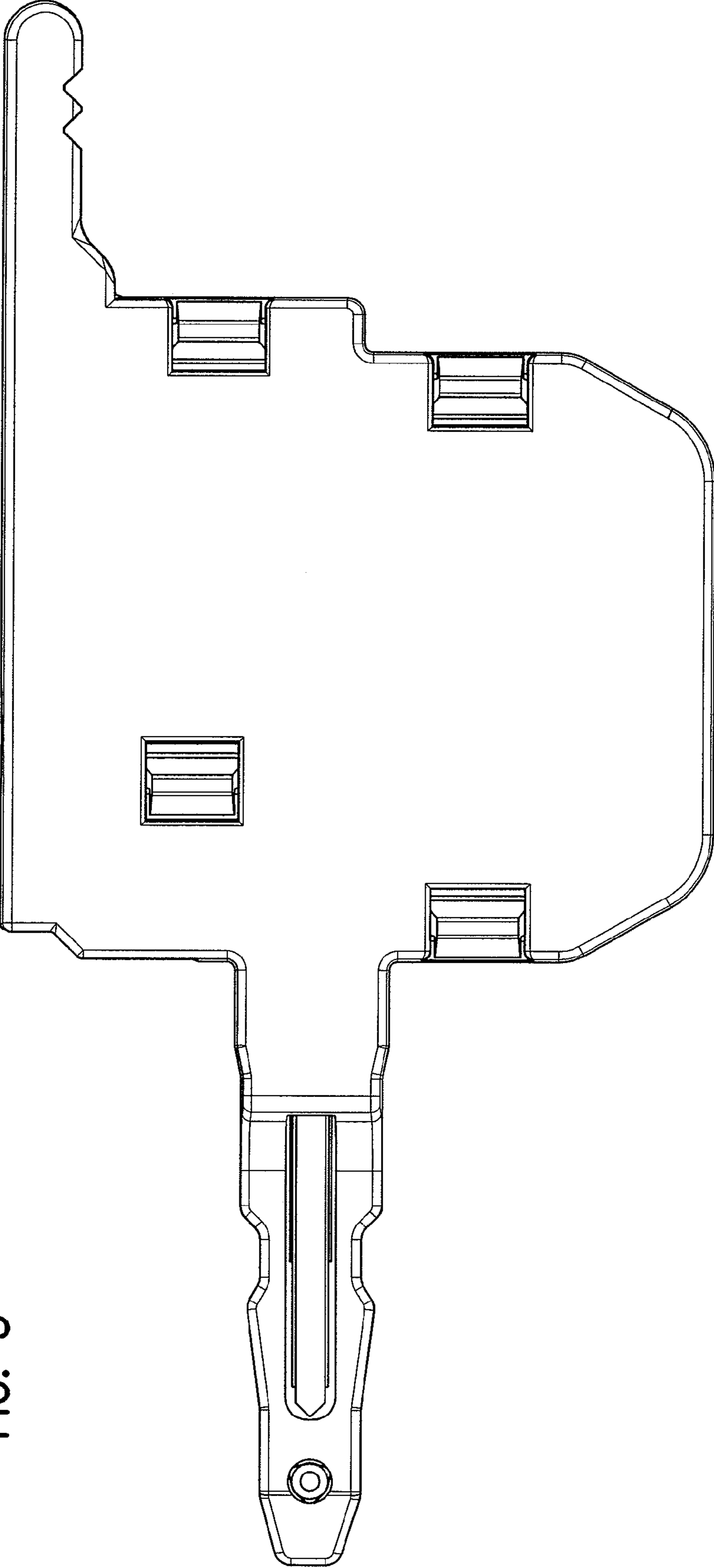


FIG. 2

FIG. 3



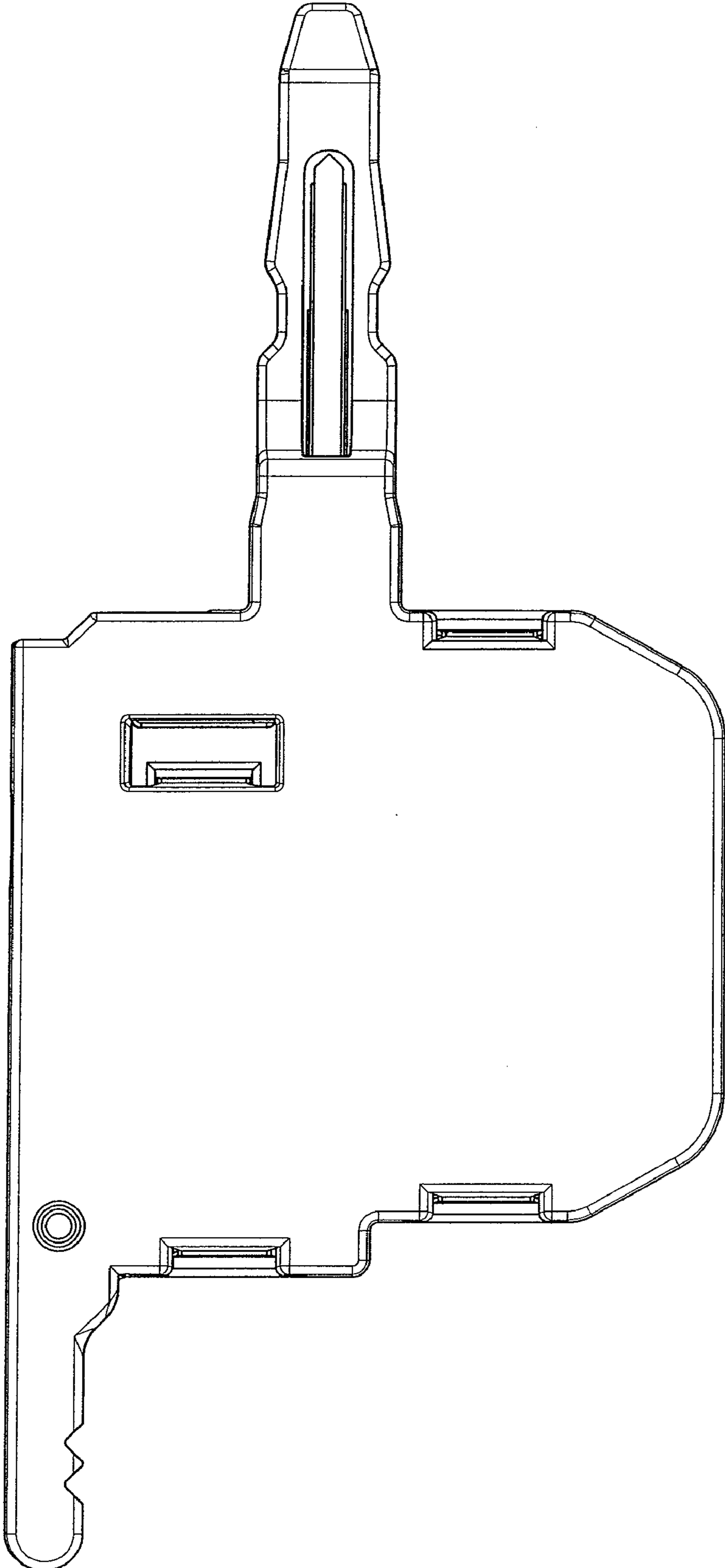


FIG. 4

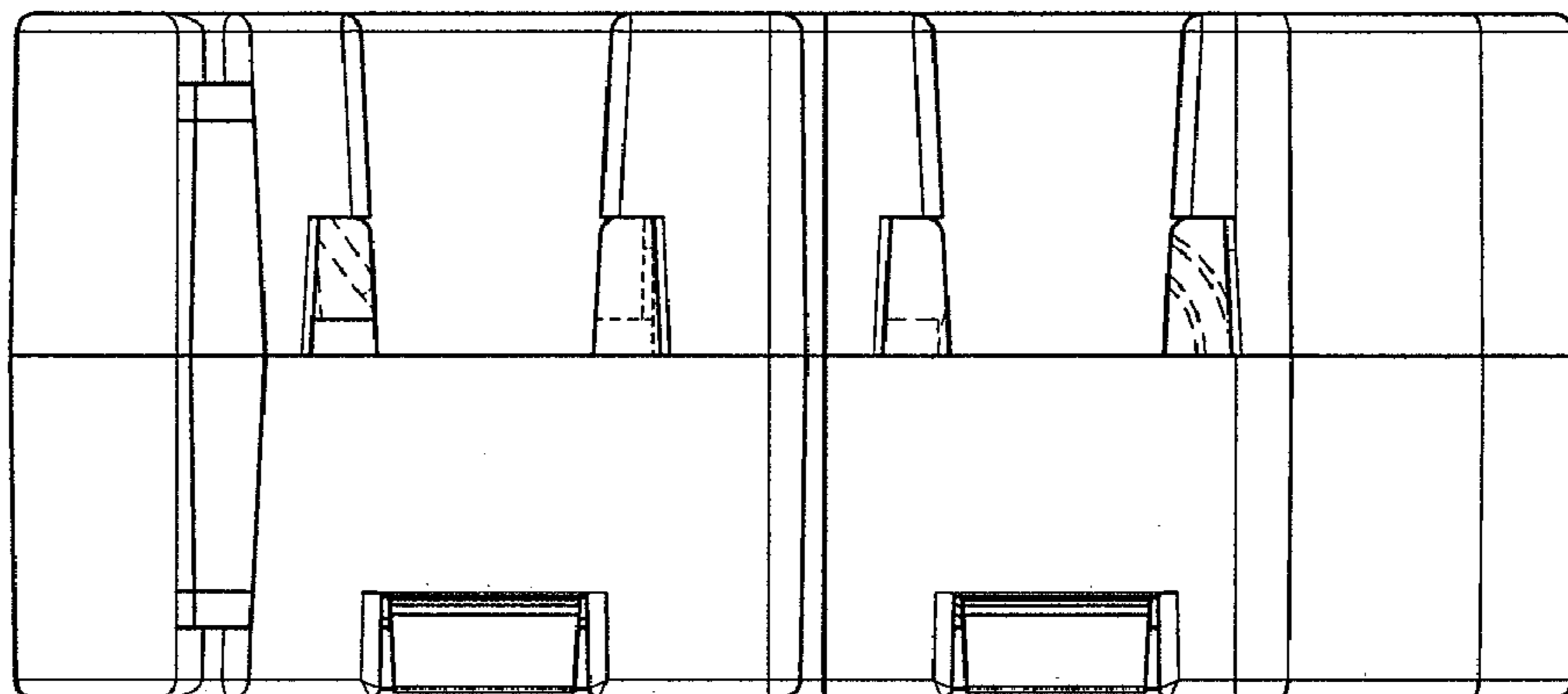


FIG. 6

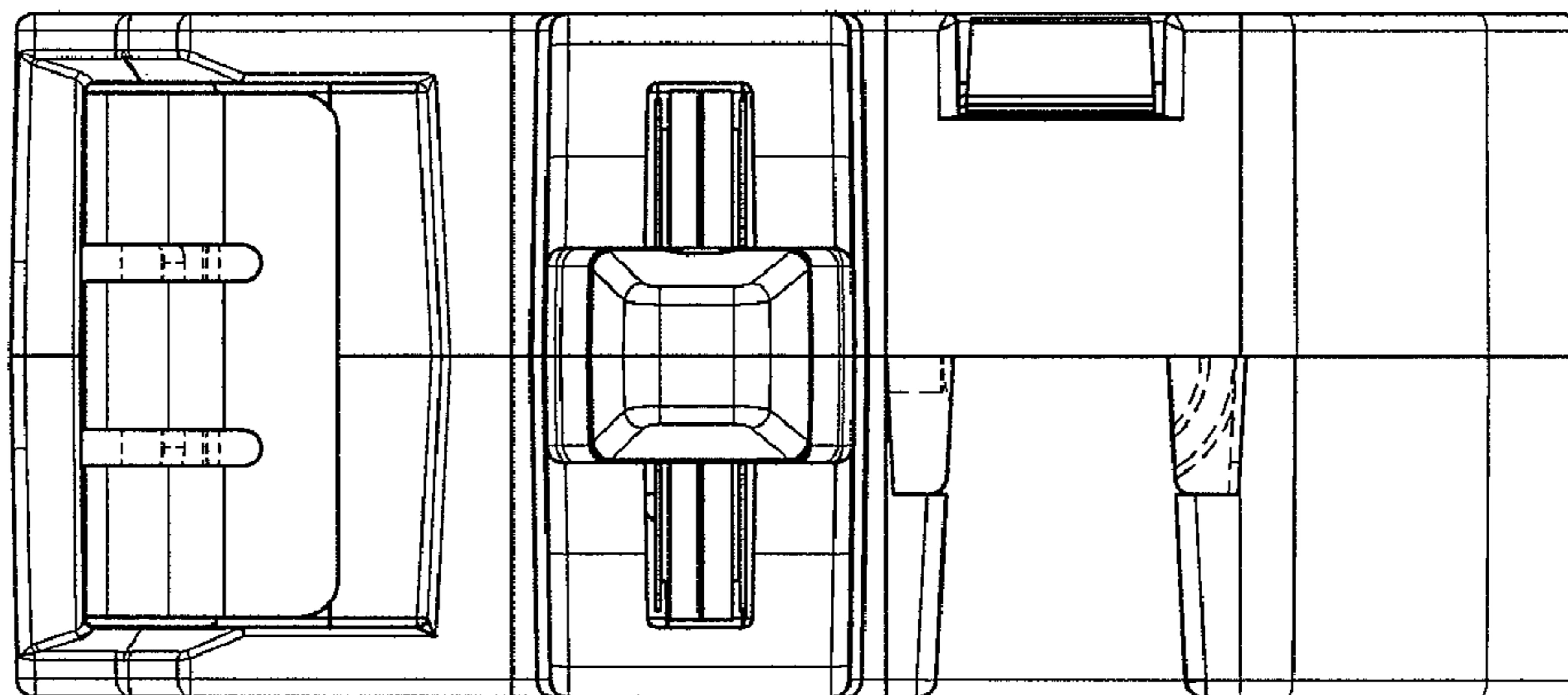


FIG. 5

FIG. 8

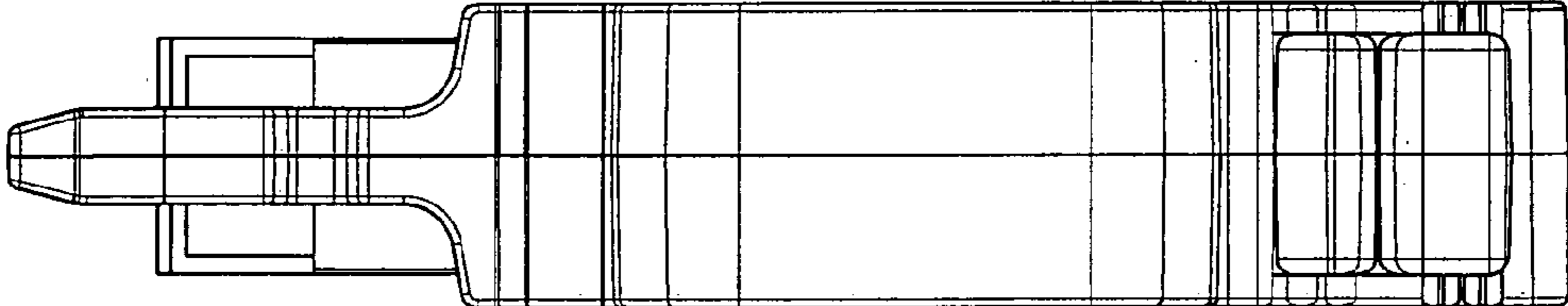


FIG. 7

