

US00D591689S

(12) **United States Design Patent**
Assaraf et al.

(10) **Patent No.:** **US D591,689 S**

(45) **Date of Patent:** **** May 5, 2009**

(54) **WALL MOUNT BALUN FIXTURE**

D462,939 S * 9/2002 Dinh D13/156
D528,513 S * 9/2006 Grendahl D13/156

(75) Inventors: **Daniel Assaraf**, Cote Saint-Luc (CA);
Marc Bohbot, Cote Saint-Luc (CA)

* cited by examiner

(73) Assignee: **MuxLab Inc.**, Montreal, Quebec (CA)

Primary Examiner—Brian N Vinson

(**) Term: **14 Years**

(74) *Attorney, Agent, or Firm*—Alexandre Abecassis; Fasken
Martineau DuMoulin LLP

(21) Appl. No.: **29/303,243**

(57) **CLAIM**

(22) Filed: **Feb. 4, 2008**

The ornamental design for a wall mount balun fixture, as
shown and described in the accompanying drawings.

(51) **LOC (9) Cl.** **13-03**

(52) **U.S. Cl.** **D13/152**

(58) **Field of Classification Search** D13/152,
D13/154, 156; 174/66, 67; 220/3.3, 3.4,
220/3.6, 3.9; 439/536, 537

See application file for complete search history.

DESCRIPTION

FIG. 1 is a front perspective view of a wall mount balun
fixture showing our new design invention;

FIG. 2 is a rear perspective view thereof;

FIG. 3 is a top plan view thereof;

FIG. 4 is a left side elevation view thereof;

FIG. 5 is a right side elevation thereof;

FIG. 6 is a bottom plan view thereof;

FIG. 7 is a front elevation view thereof; and,

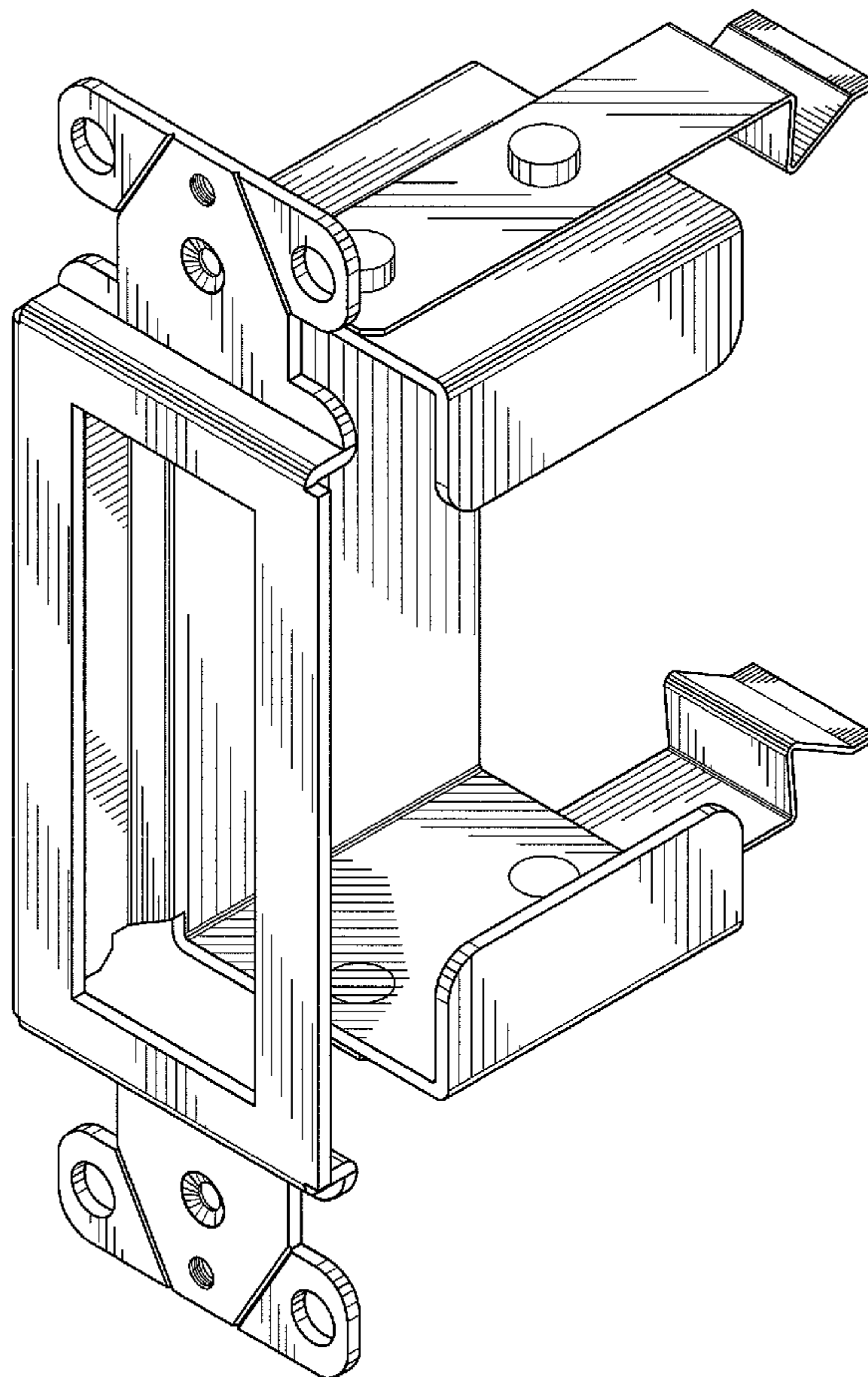
FIG. 8 is a rear elevation view thereof.

(56) **References Cited**

U.S. PATENT DOCUMENTS

4,135,337	A *	1/1979	Medlin	220/3.3
4,399,922	A *	8/1983	Horsley	220/3.6
5,025,944	A *	6/1991	Rodick	220/3.3
5,263,676	A *	11/1993	Medlin et al.	220/3.6
5,965,844	A *	10/1999	Lippa	220/3.3

1 Claim, 6 Drawing Sheets



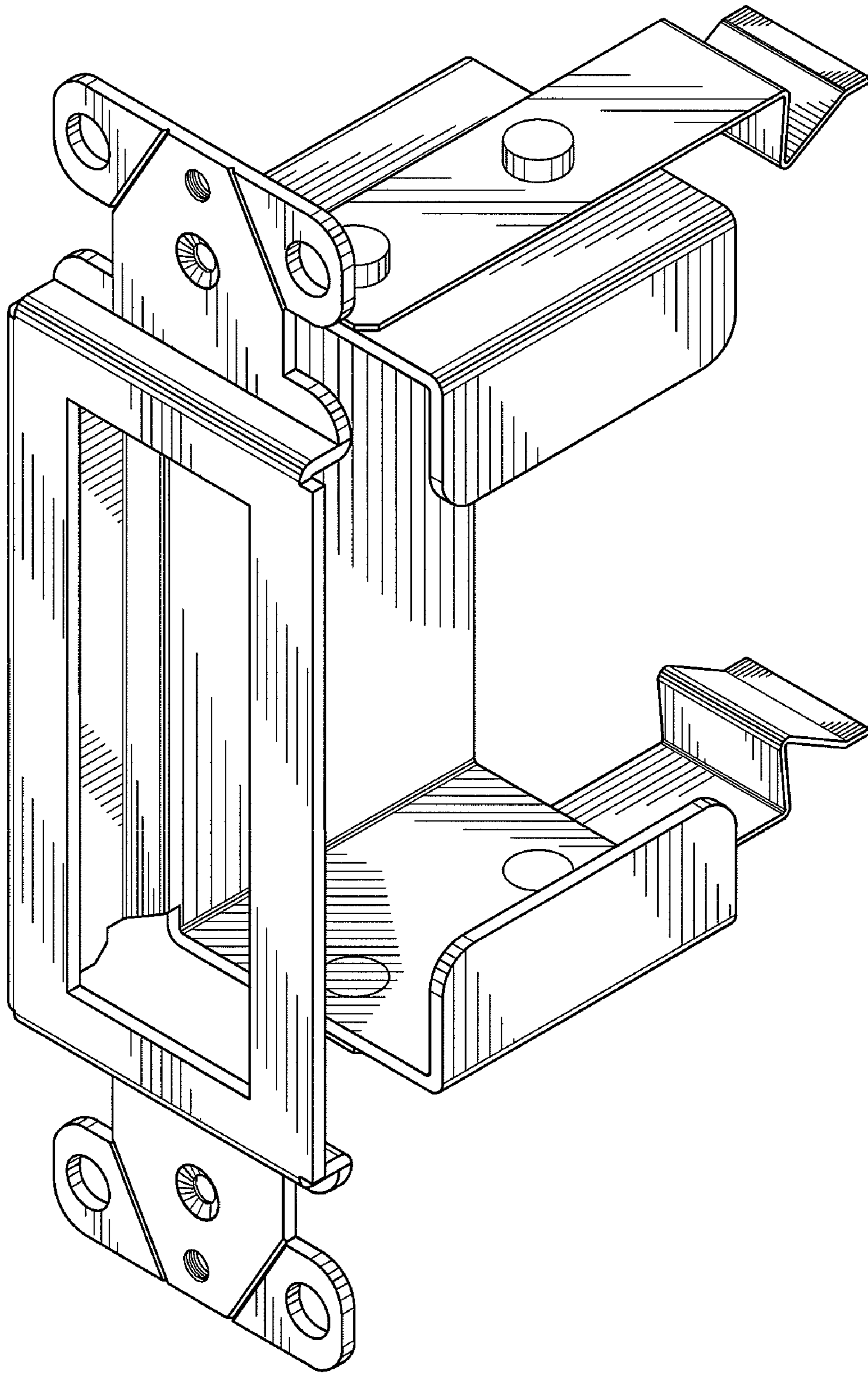


FIG. 1

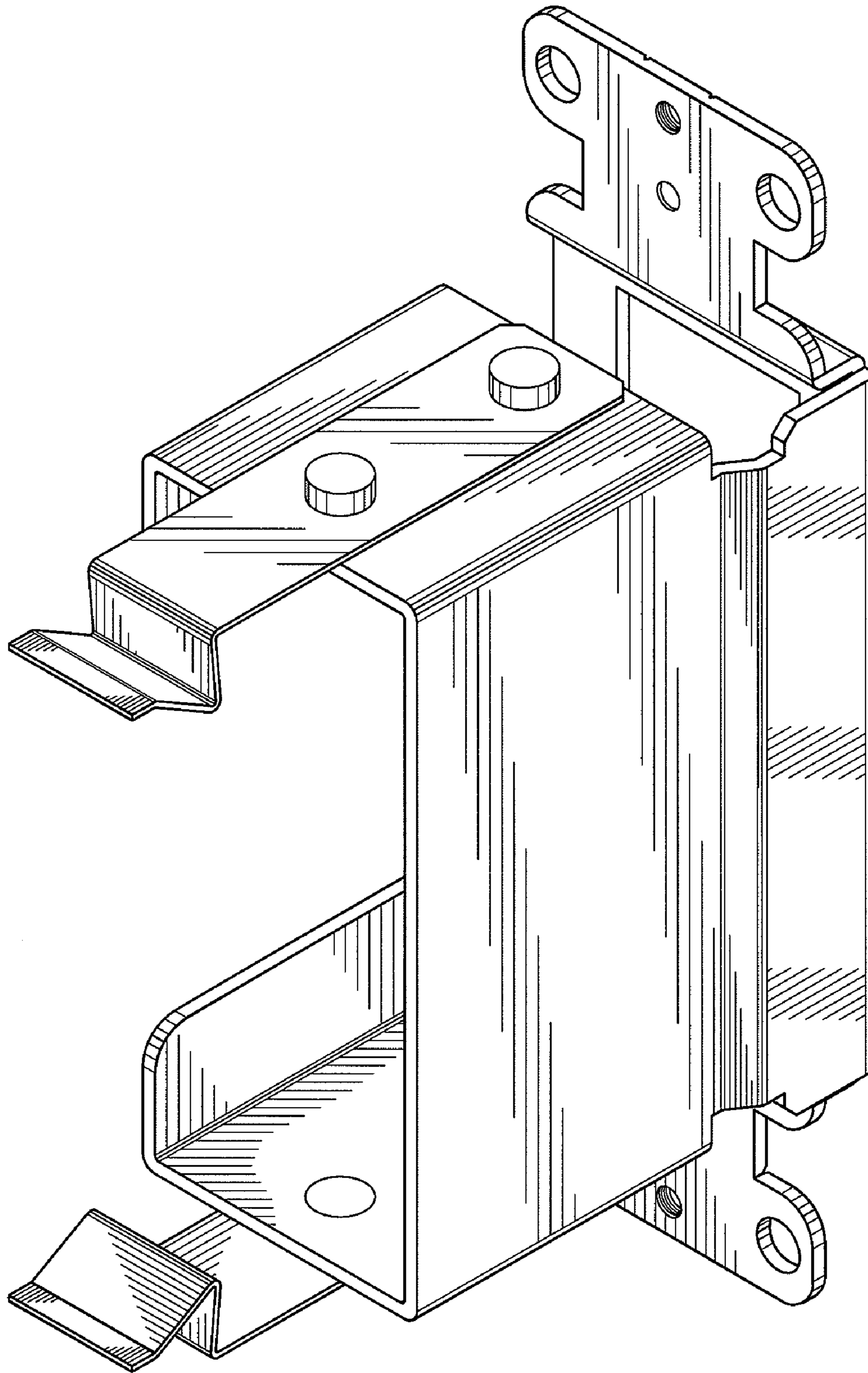


FIG.2

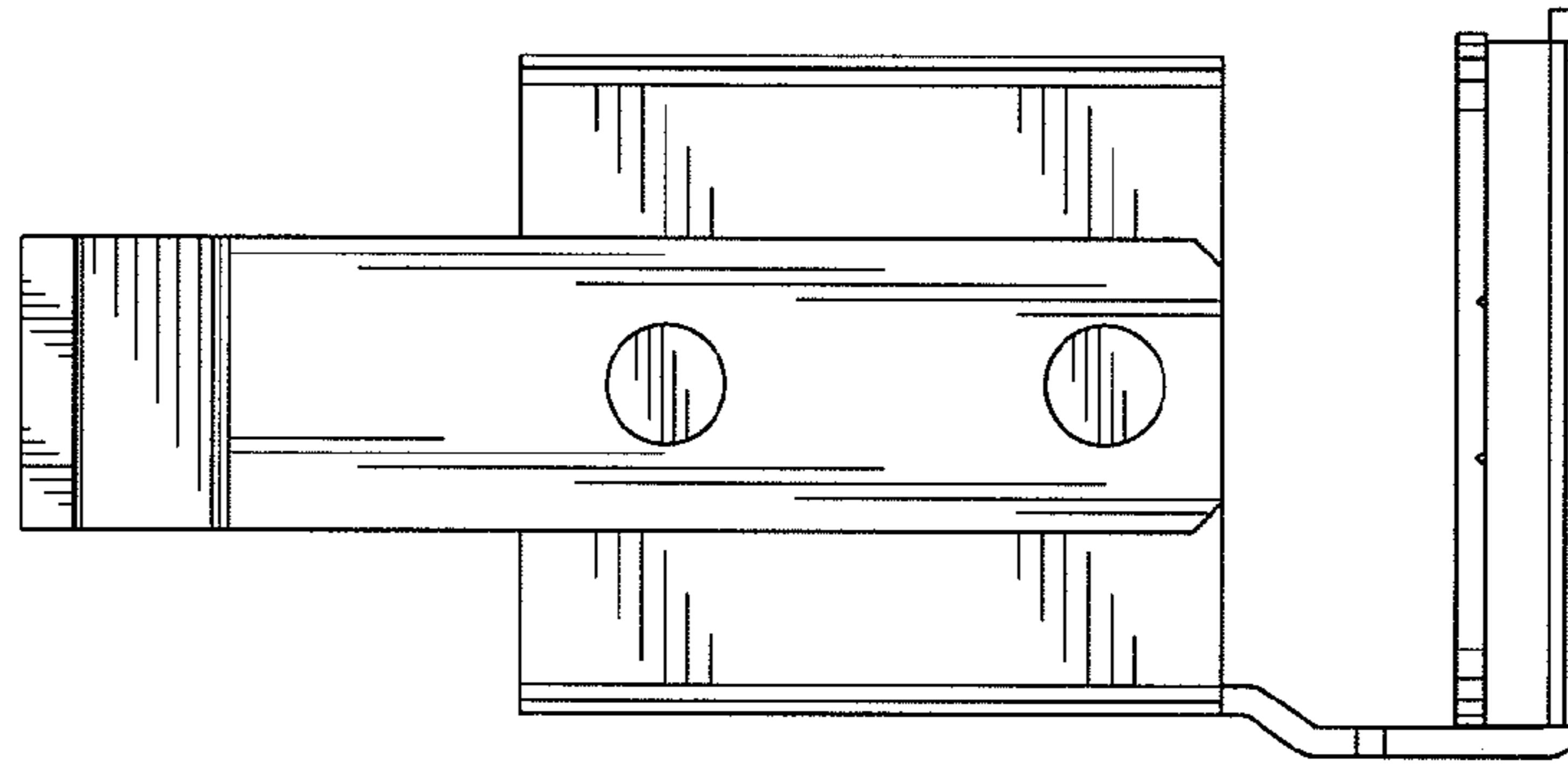


FIG.3

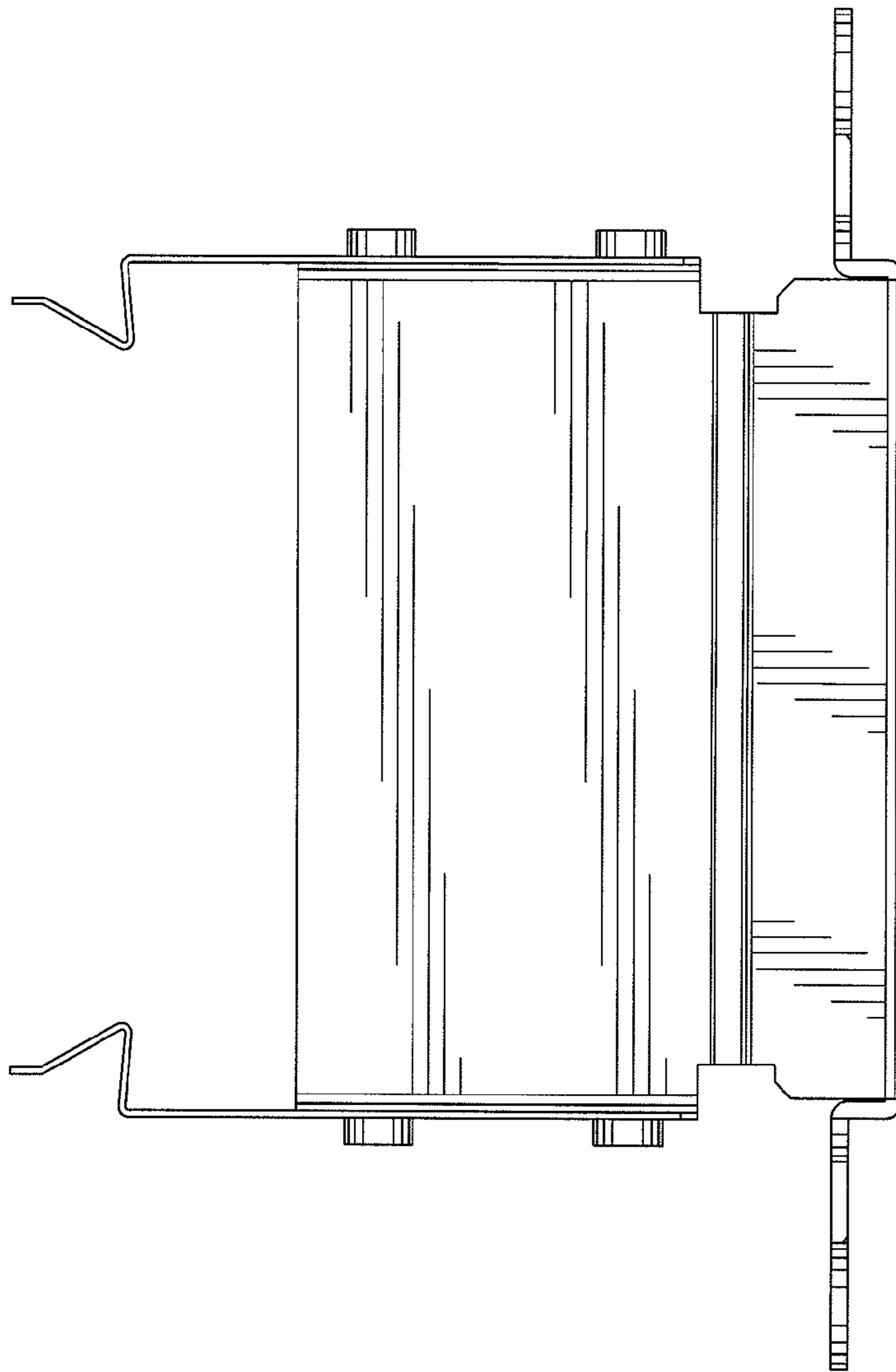


FIG.4

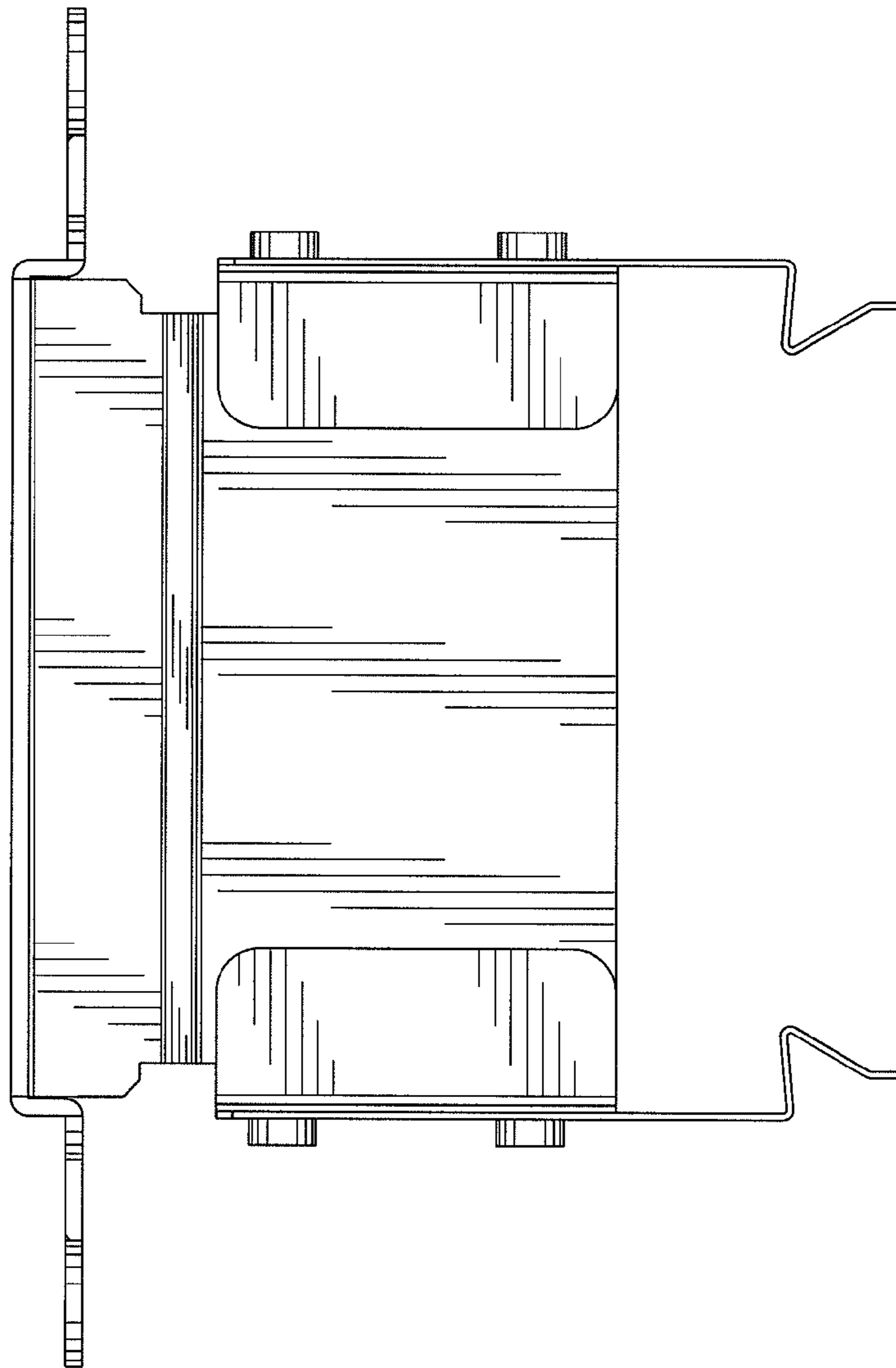


FIG. 5

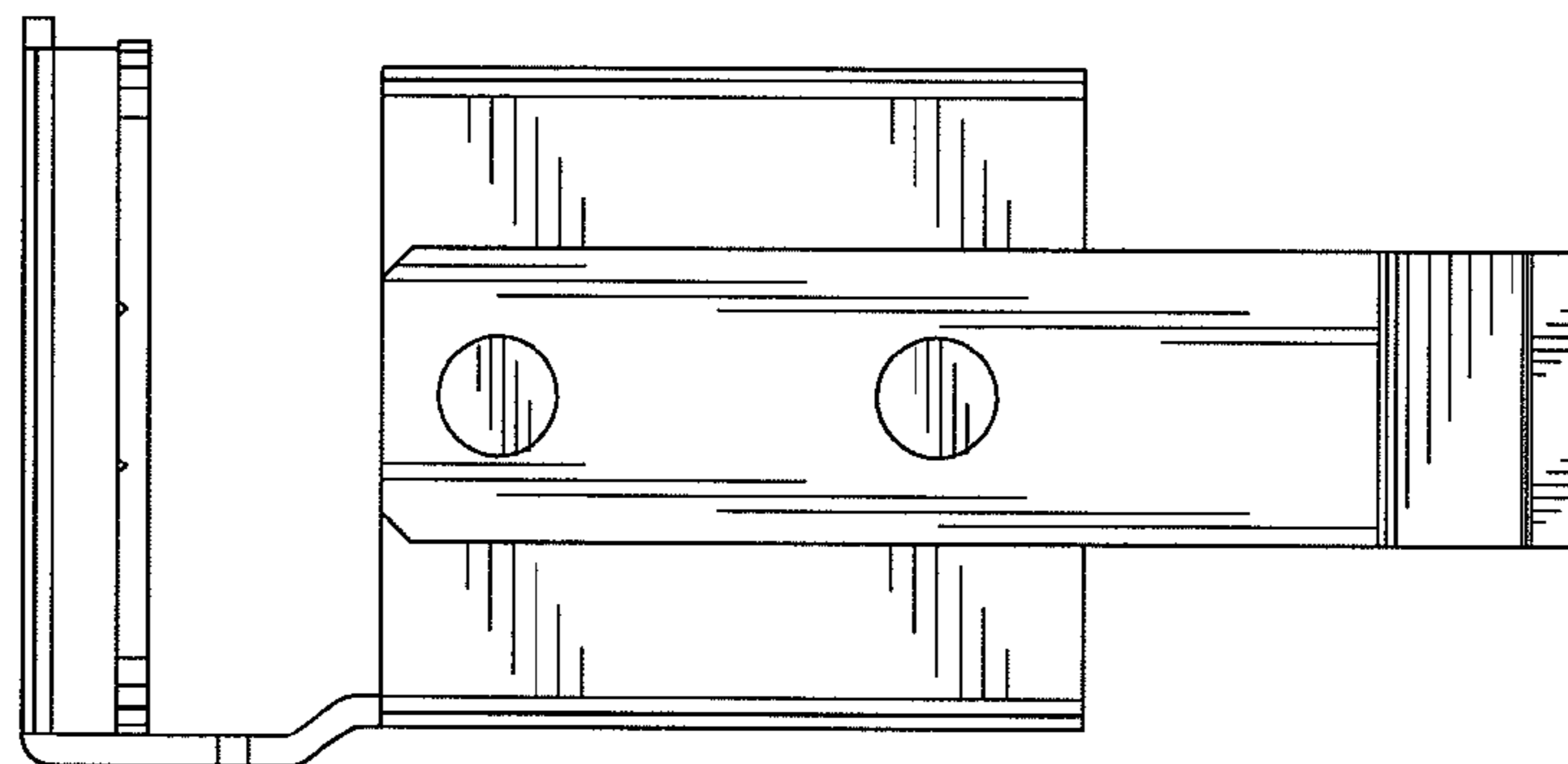


FIG. 6

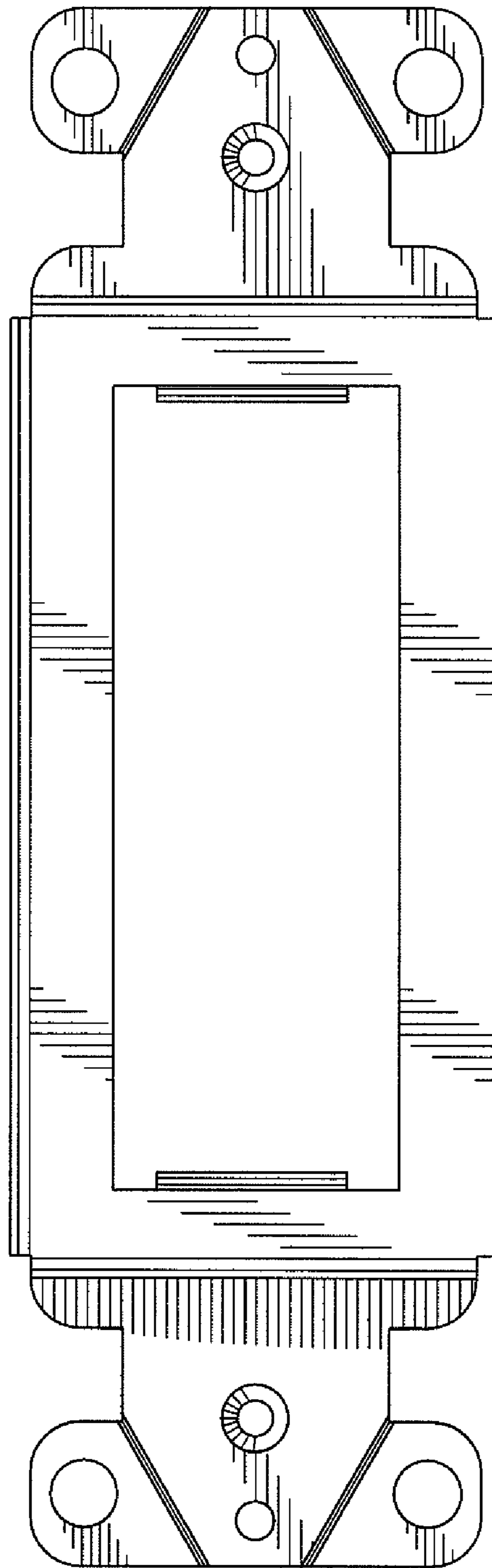


FIG. 7

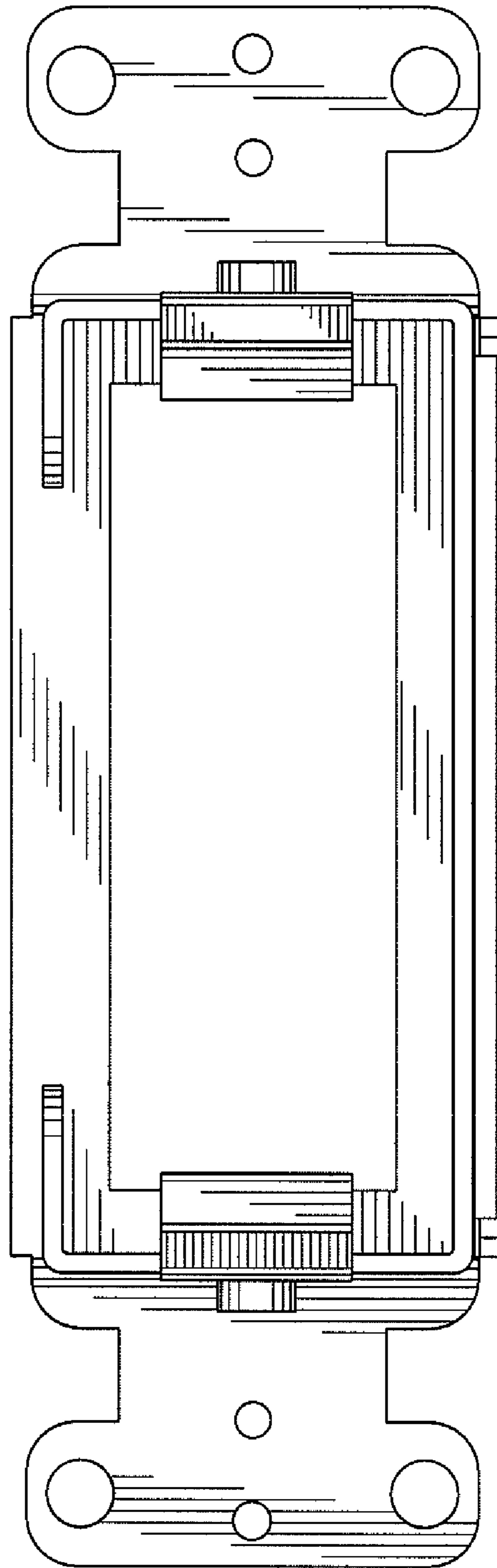


FIG. 8