



US00D591686S

(12) **United States Design Patent**
Chiang

(10) **Patent No.:** **US D591,686 S**

(45) **Date of Patent:** **** May 5, 2009**

(54) **RECEPTACLE CONNECTOR**

(75) Inventor: **Shu Man Chiang**, Tu-Cheng (TW)

(73) Assignee: **Cheng Uei Precision Industry Co., Ltd.**, Taipei Hsien (TW)

(**) Term: **14 Years**

(21) Appl. No.: **29/300,592**

(22) Filed: **Apr. 15, 2008**

(51) **LOC (9) Cl.** **13-03**

(52) **U.S. Cl.** **D13/147**

(58) **Field of Classification Search** D13/146-147,
D13/154, 184; 439/79, 108, 607-610, 660,
439/668, 680

See application file for complete search history.

(56) **References Cited**

U.S. PATENT DOCUMENTS

D465,202 S *	11/2002	Kubota	D13/147
D522,460 S *	6/2006	Chiang et al.	D13/147
D522,969 S *	6/2006	Nishio et al.	D13/147
D523,817 S *	6/2006	Nishio et al.	D13/147
D524,747 S *	7/2006	Nishio et al.	D13/147
D569,345 S *	5/2008	Ikegami	D13/147

* cited by examiner

Primary Examiner—Daniel D Bui

(74) *Attorney, Agent, or Firm*—Rosenberg, Klein & Lee

(57) **CLAIM**

The ornamental design for a receptacle connector, as shown and described.

DESCRIPTION

FIG. 1 is a perspective view of a receptacle connector showing my new design;

FIG. 2 is a front elevational view thereof;

FIG. 3 is a rear elevational view thereof;

FIG. 4 is a left side elevational view thereof;

FIG. 5 is a right side elevational view thereof;

FIG. 6 is a top plan view thereof;

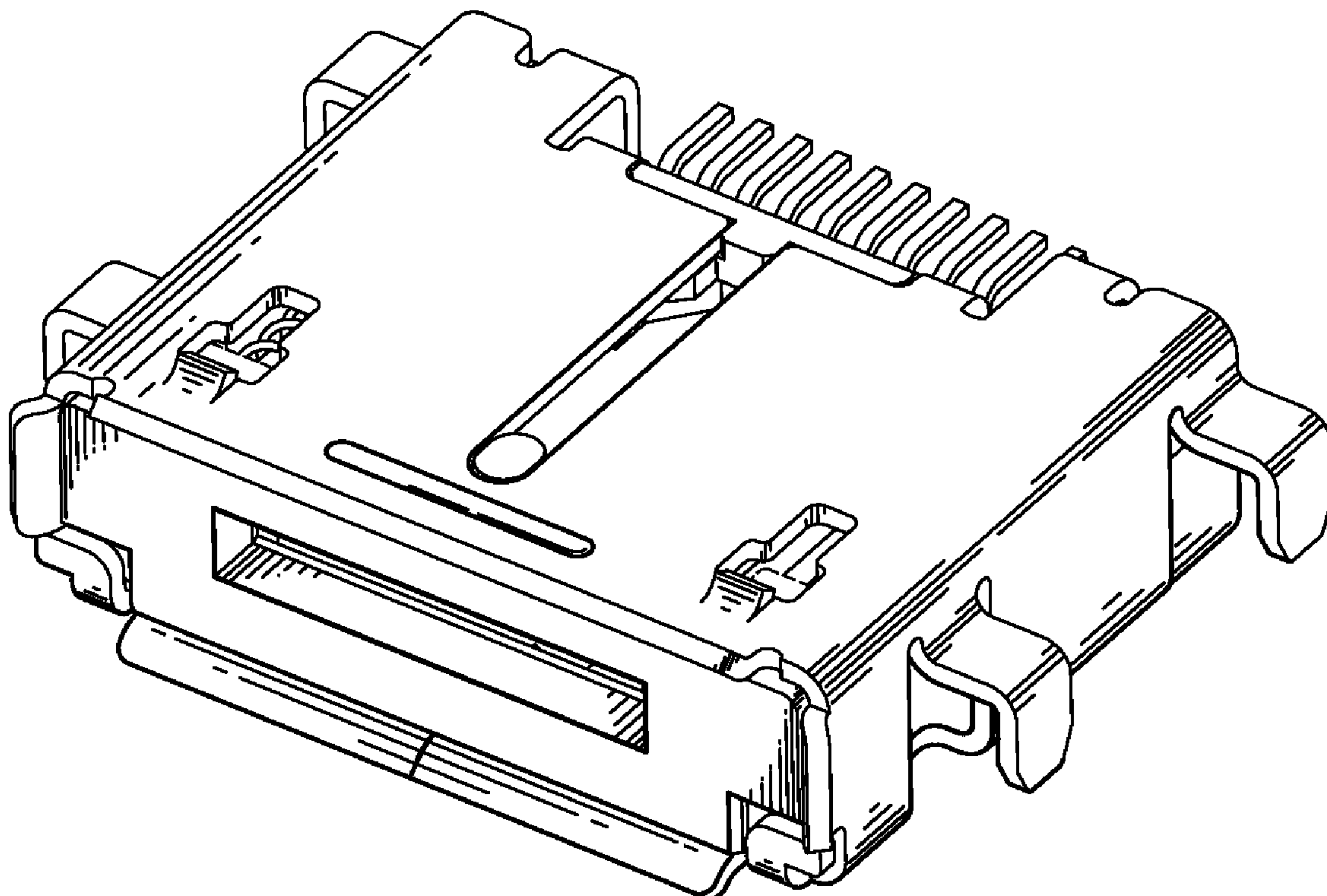
FIG. 7 is a bottom plan view thereof;

FIG. 8 is another perspective view of the receptacle connector showing my new design; and,

FIG. 9 is a third perspective view of the receptacle connector showing my new design.

The broken line portion in the figure drawing view is included to show unclaimed subject matter only and forms no part of the claimed design.

1 Claim, 9 Drawing Sheets



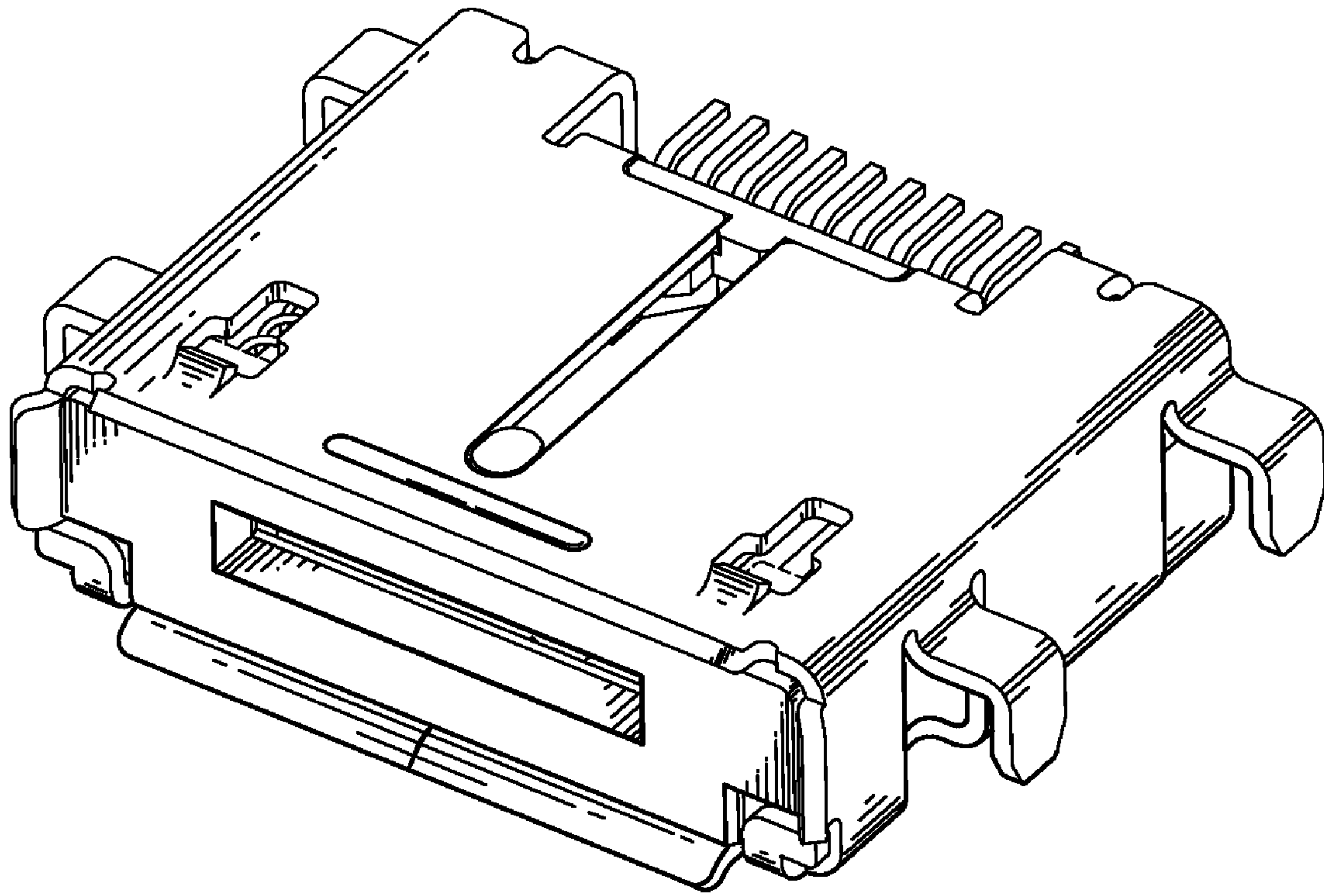


FIG. 1

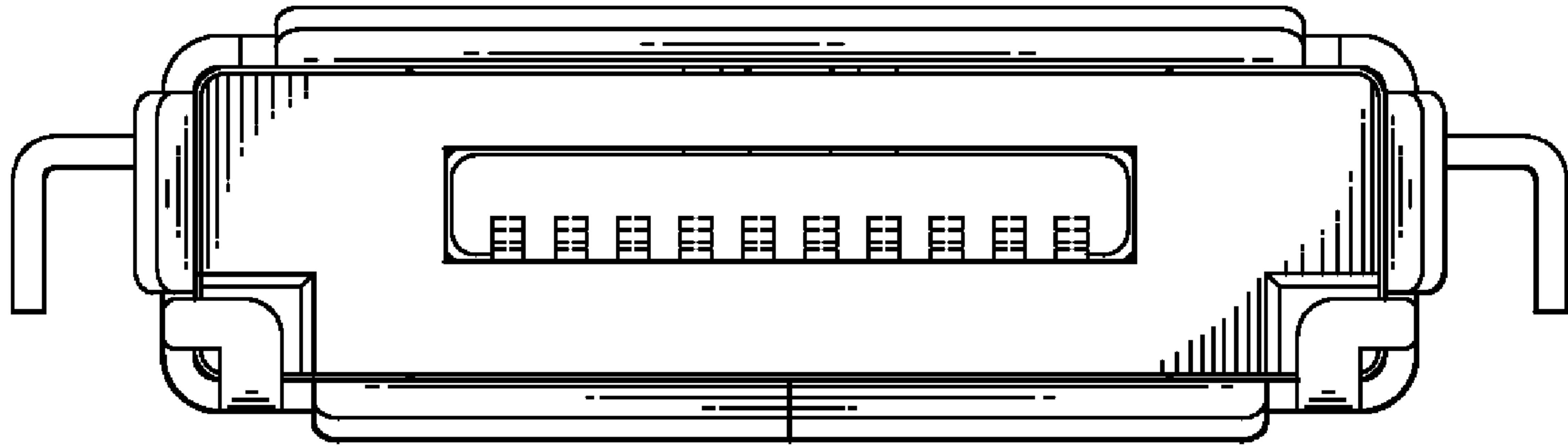


FIG. 2

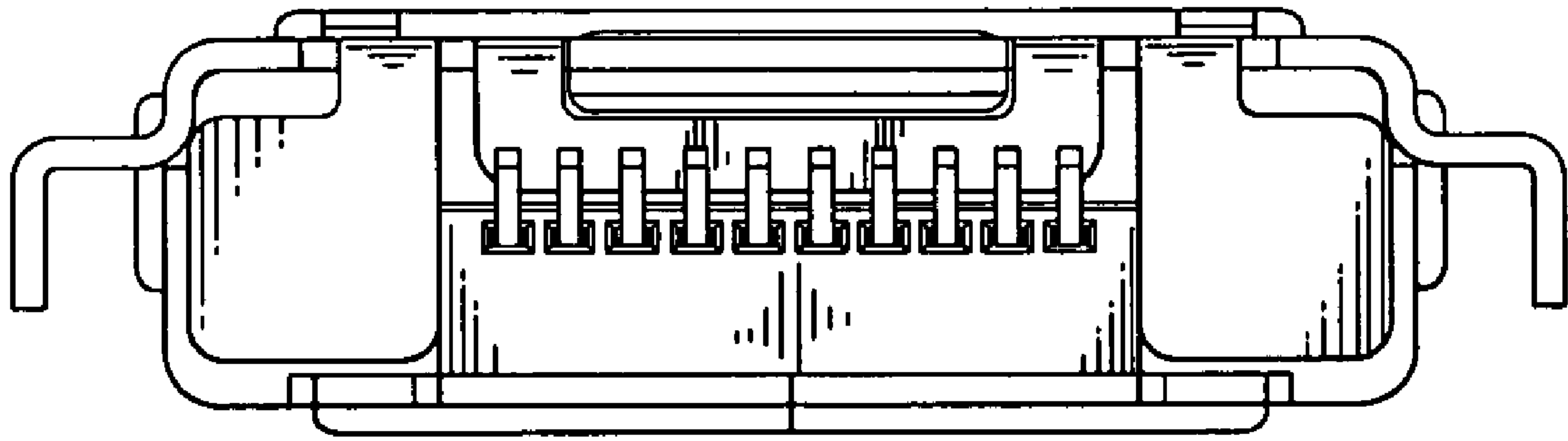


FIG. 3

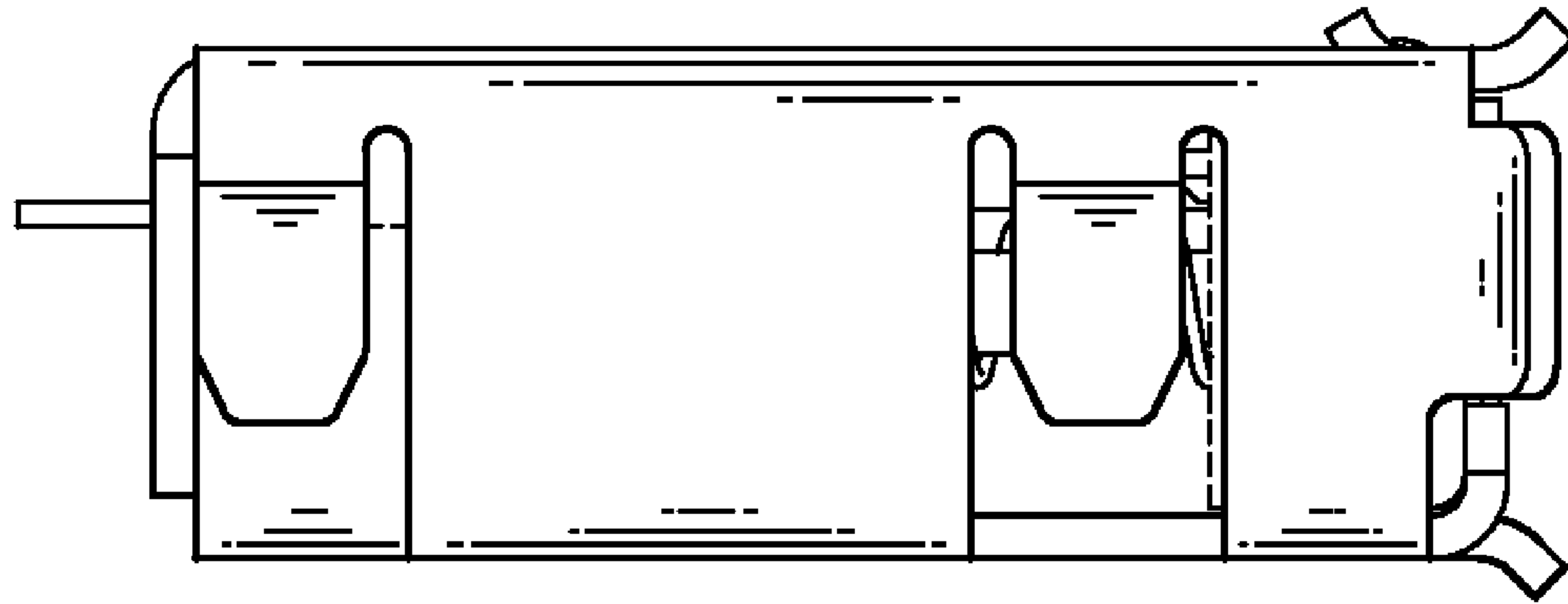


FIG. 4

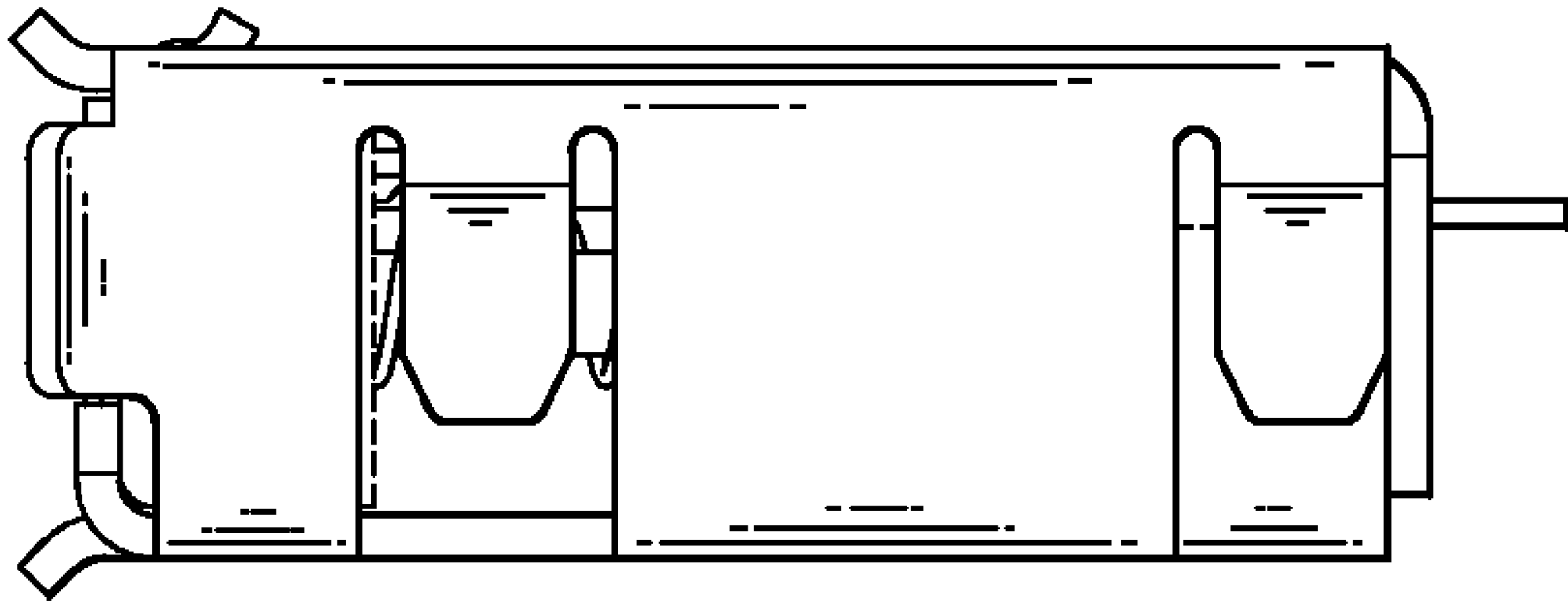


FIG. 5

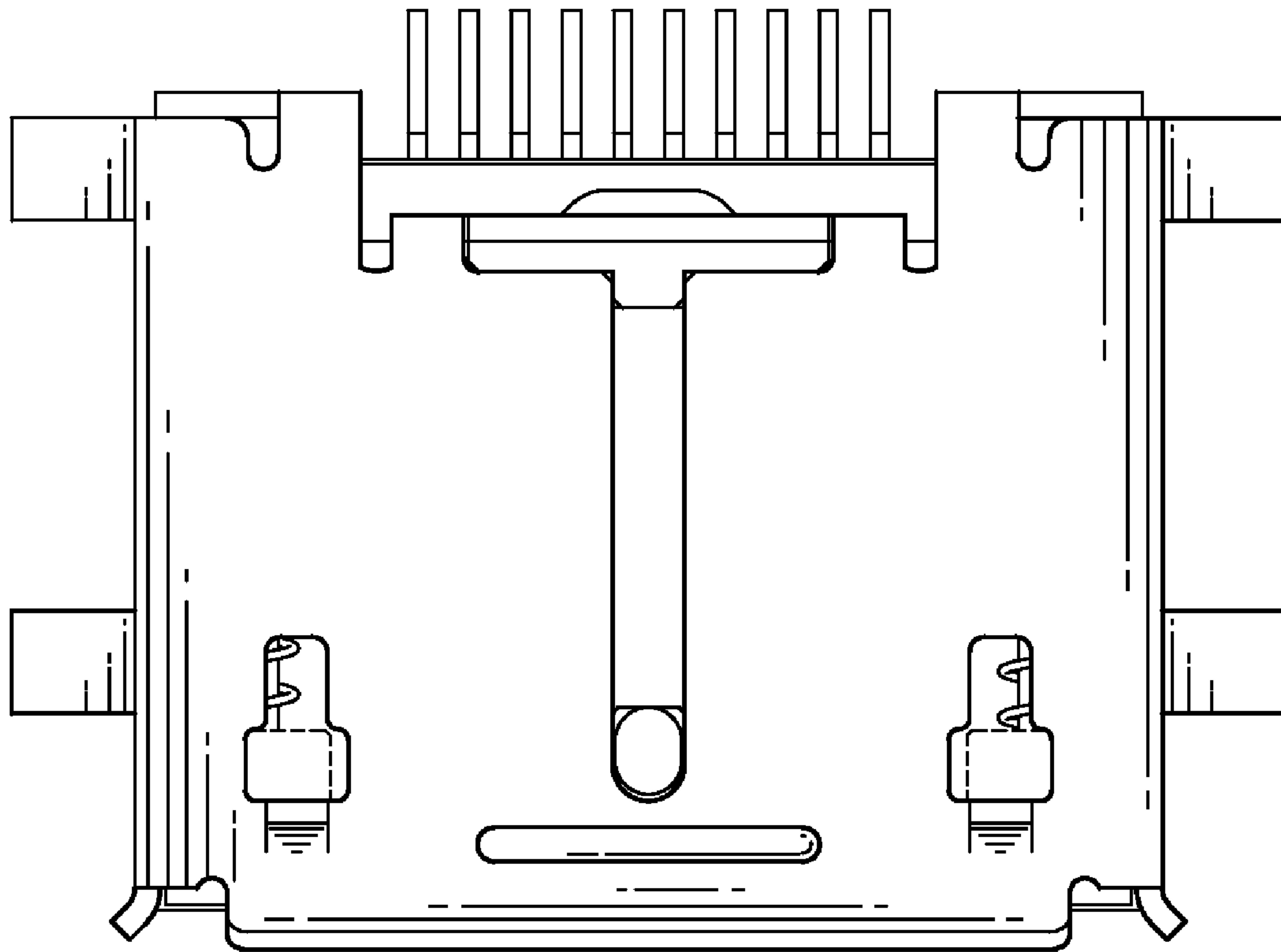


FIG. 6

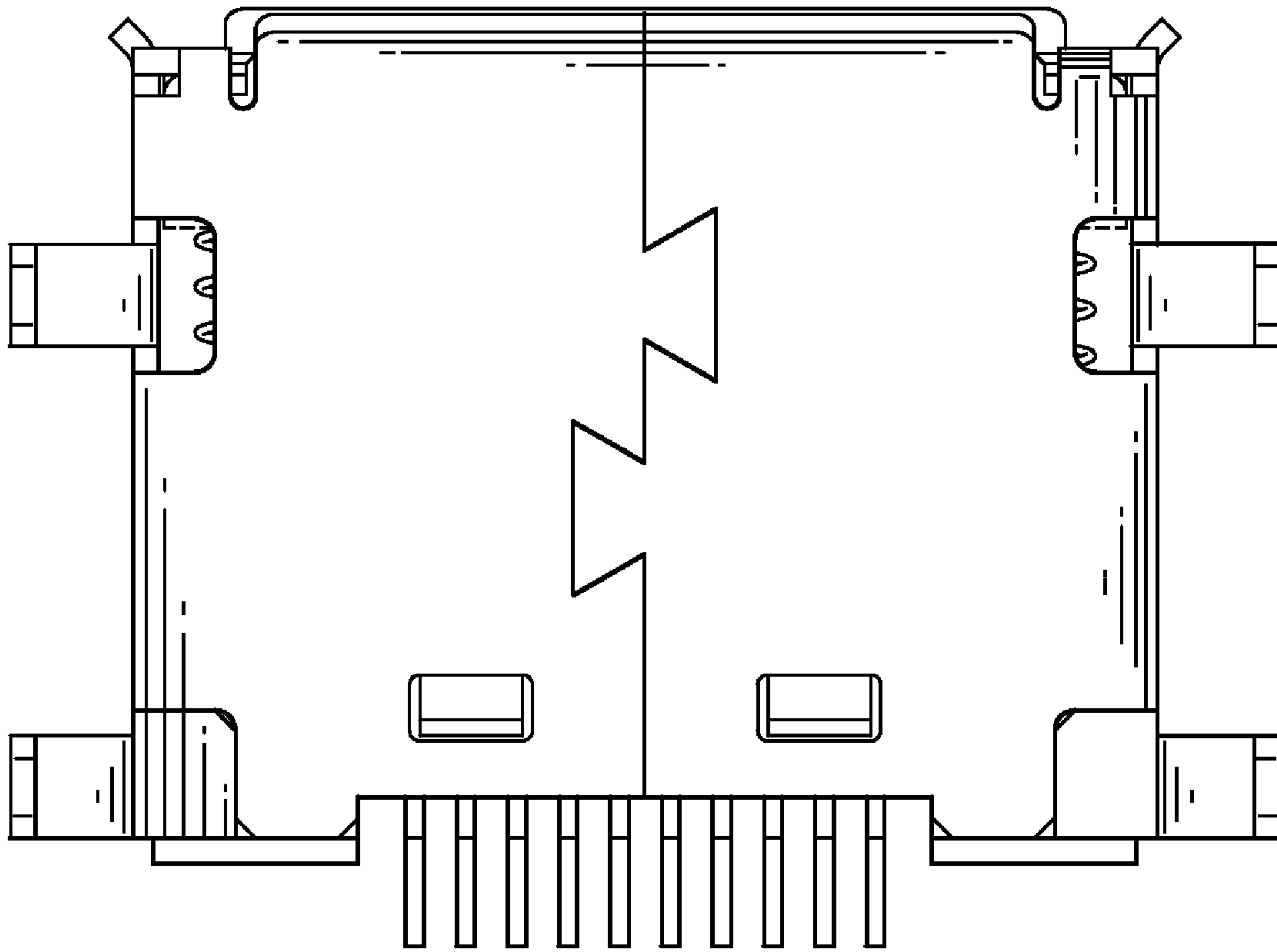


FIG. 7

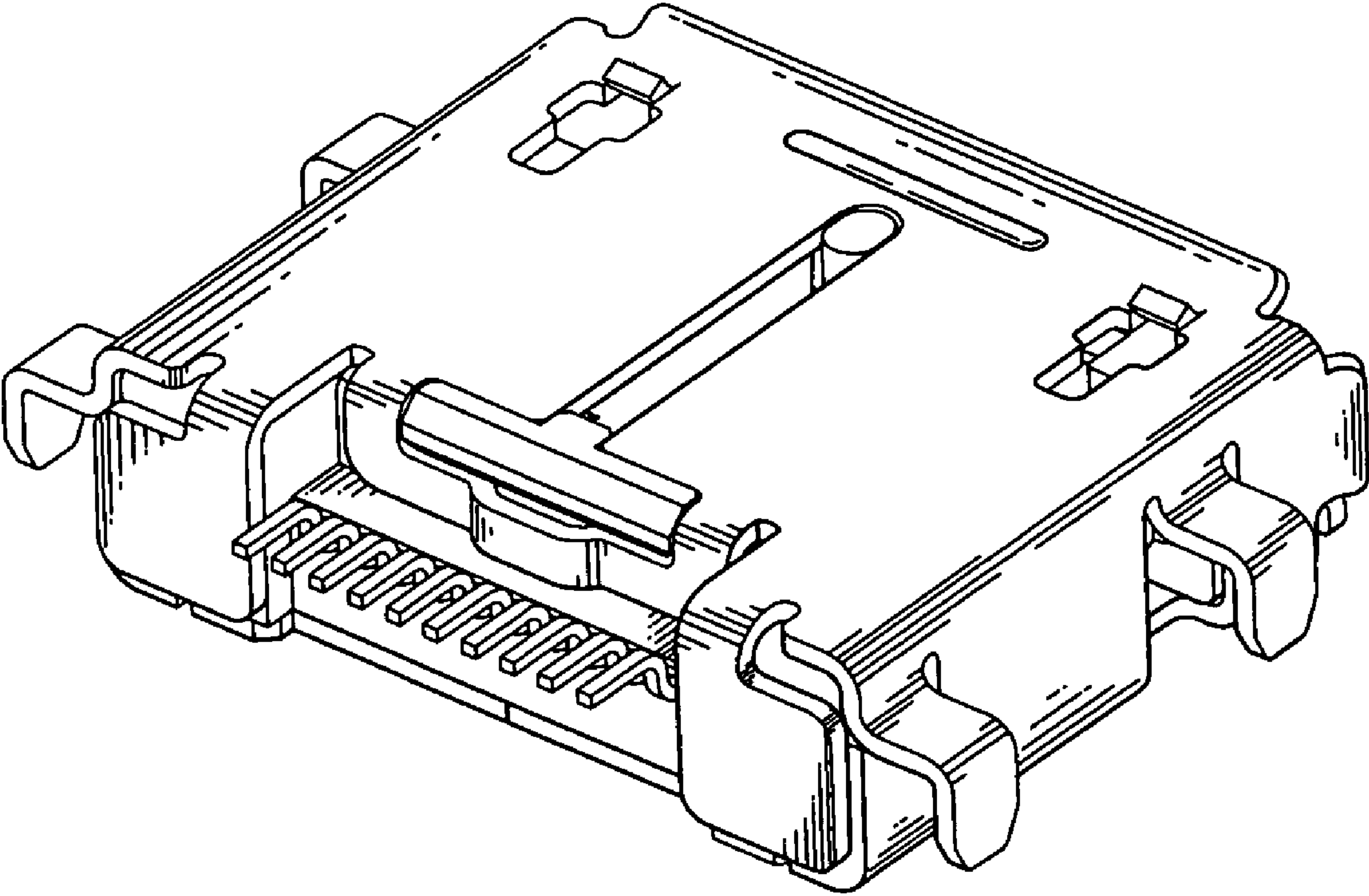


FIG. 8

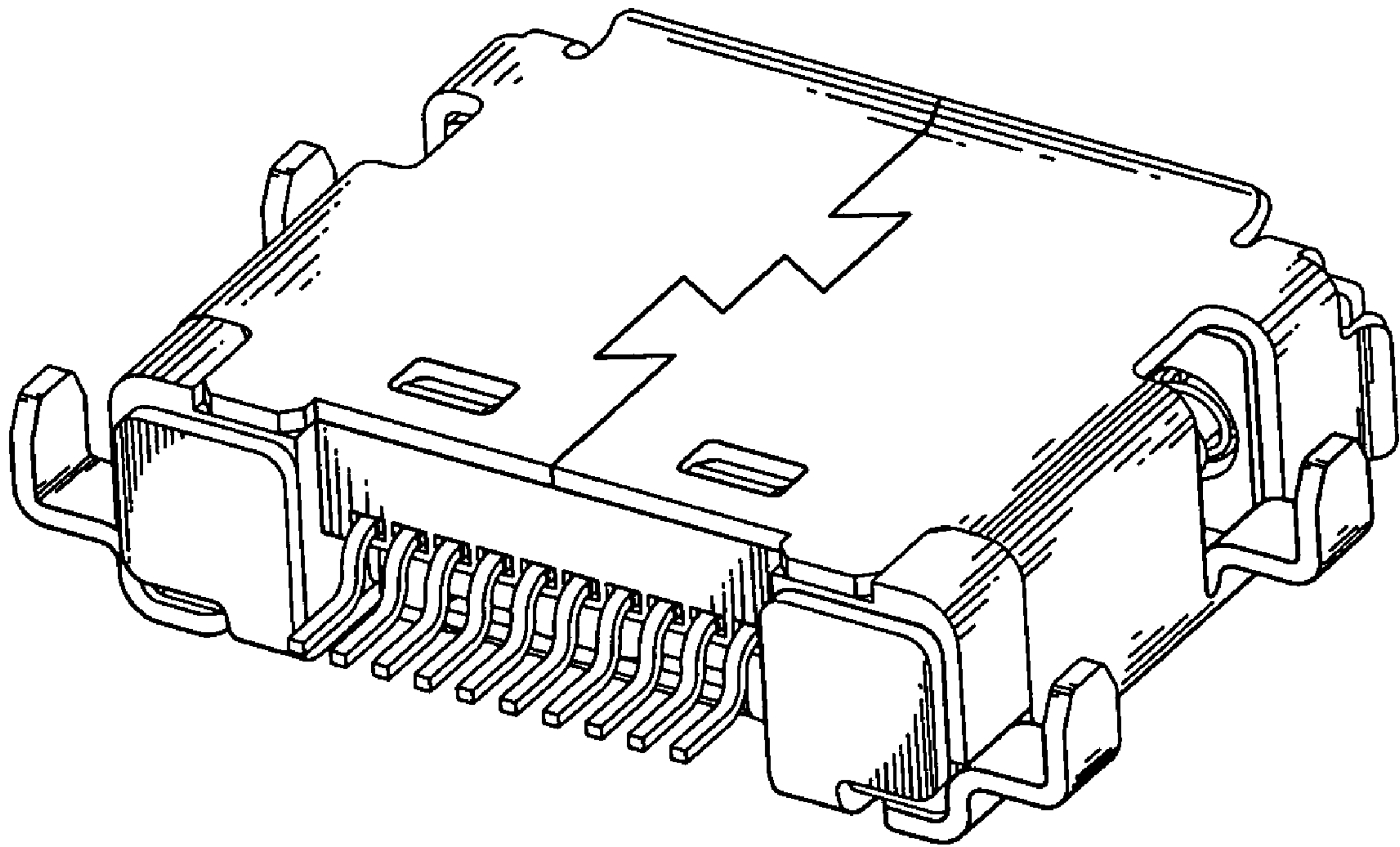


FIG. 9