



US00D591685S

(12) **United States Design Patent**
Hung et al.

(10) **Patent No.:** **US D591,685 S**

(45) **Date of Patent:** **** May 5, 2009**

(54) **CONNECTOR**

(75) Inventors: **Pei Chiao Hung**, Tu-Cheng (TW); **Hsin Tsung Ho**, Tu-Cheng (TW)

(73) Assignee: **Cheng Uei Precision Industry Co., Ltd.**, Taipei Hsien (TW)

(**) Term: **14 Years**

(21) Appl. No.: **29/300,315**

(22) Filed: **Mar. 12, 2008**

(51) **LOC (9) Cl.** **13-03**

(52) **U.S. Cl.** **D13/147**

(58) **Field of Classification Search** D13/146-147,
D13/148, 154, 184; 439/79, 108, 607-610,
439/660, 668, 680

See application file for complete search history.

(56) **References Cited**

U.S. PATENT DOCUMENTS

D476,956 S *	7/2003	Sukegawa et al.	D13/147
D539,744 S *	4/2007	Hu et al.	D13/147
D555,101 S *	11/2007	Xiao et al.	D13/147
D559,191 S *	1/2008	Arai et al.	D13/147

* cited by examiner

Primary Examiner—Daniel D Bui

(74) *Attorney, Agent, or Firm*—Rosenberg, Klein & Lee

(57) **CLAIM**

The ornamental design for a connector, as shown and described.

DESCRIPTION

FIG. 1 is a perspective view of a connector showing our new design;

FIG. 2 is a front elevational view thereof;

FIG. 3 is a rear elevational view thereof;

FIG. 4 is a left side elevational view thereof;

FIG. 5 is a right side elevational view thereof;

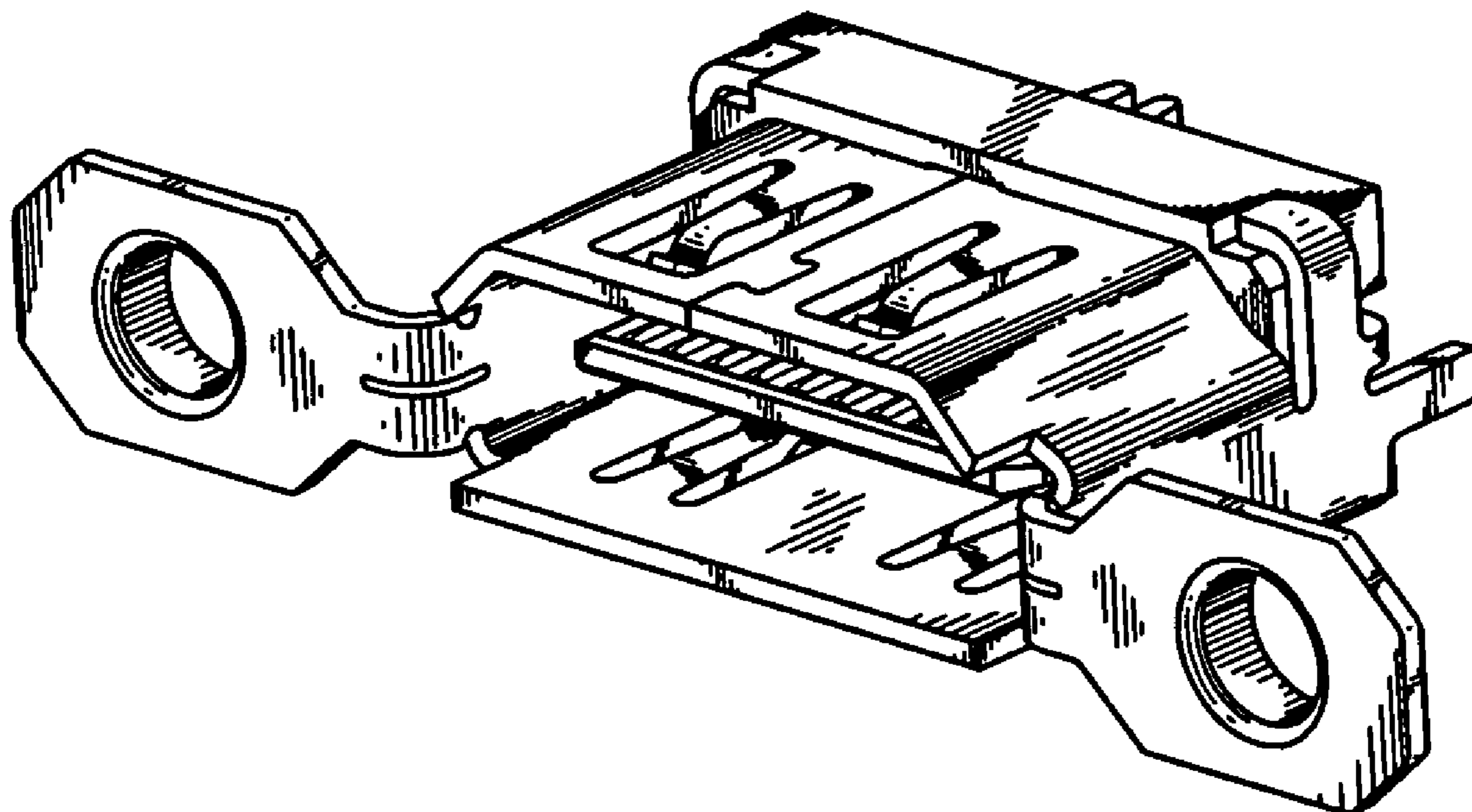
FIG. 6 is a top plan view thereof;

FIG. 7 is a bottom plan view thereof; and,

FIG. 8 is another perspective view thereof.

The broken line portion in FIG. 3 drawing view is included to show unclaimed subject matter only and forms no part of the claimed design.

1 Claim, 8 Drawing Sheets



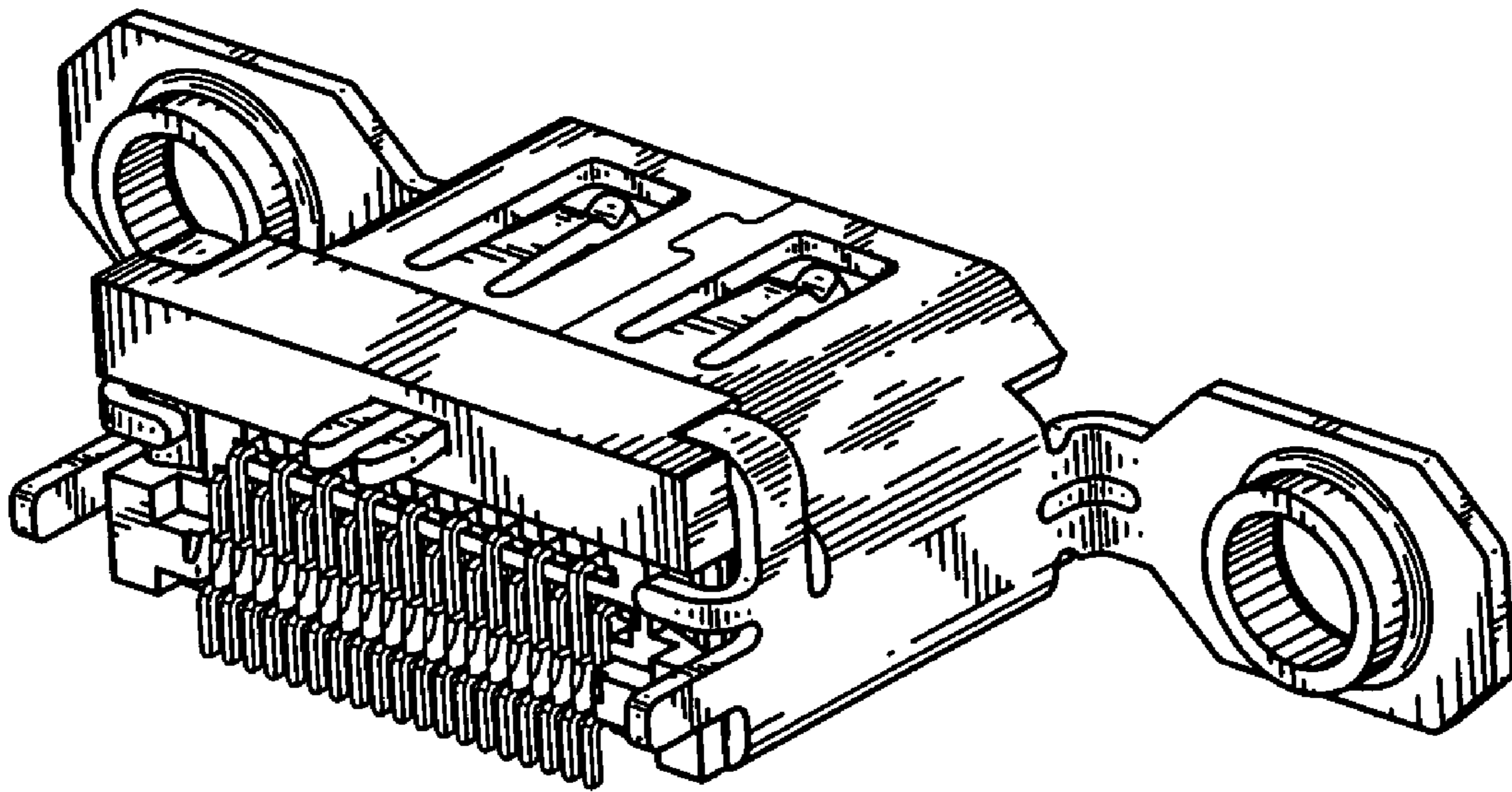


FIG. 1

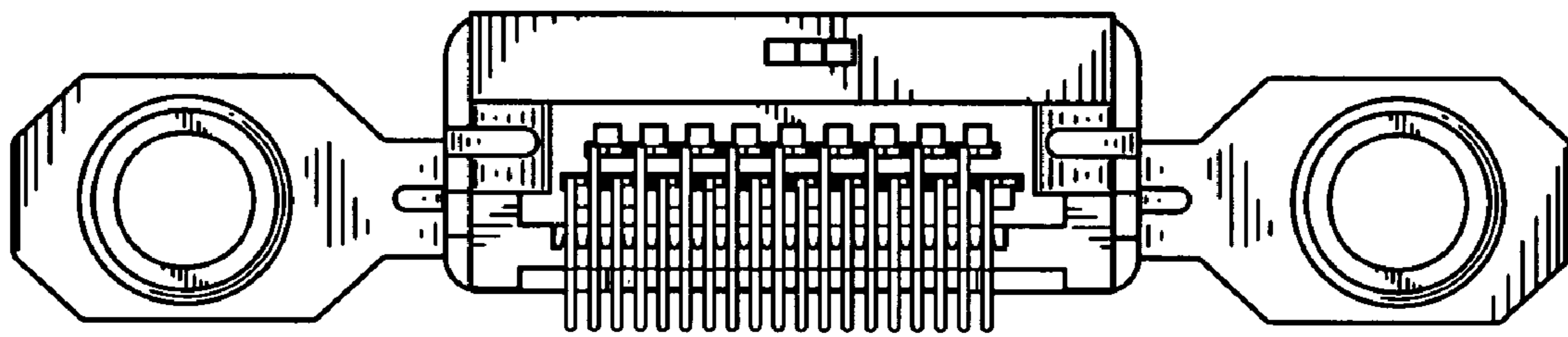


FIG. 2

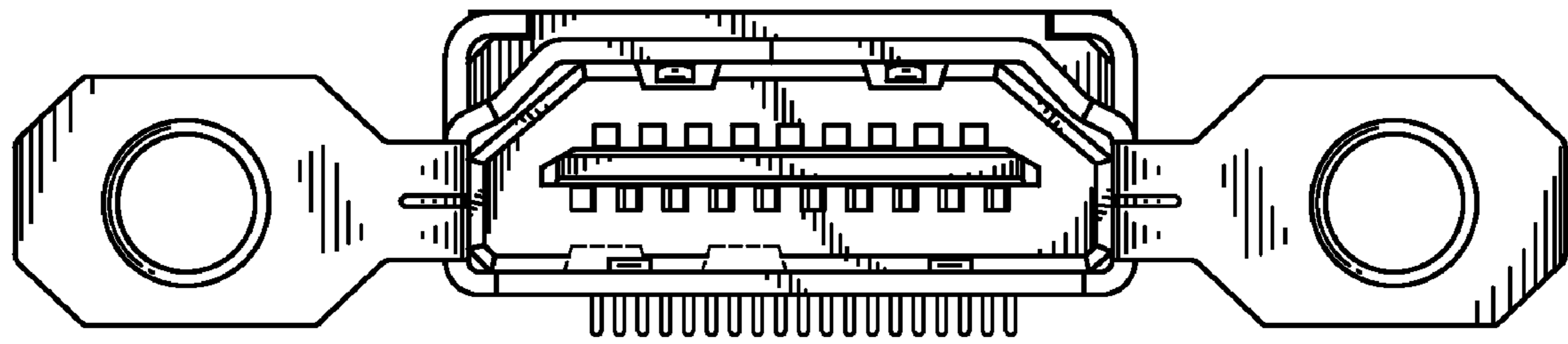


FIG. 3

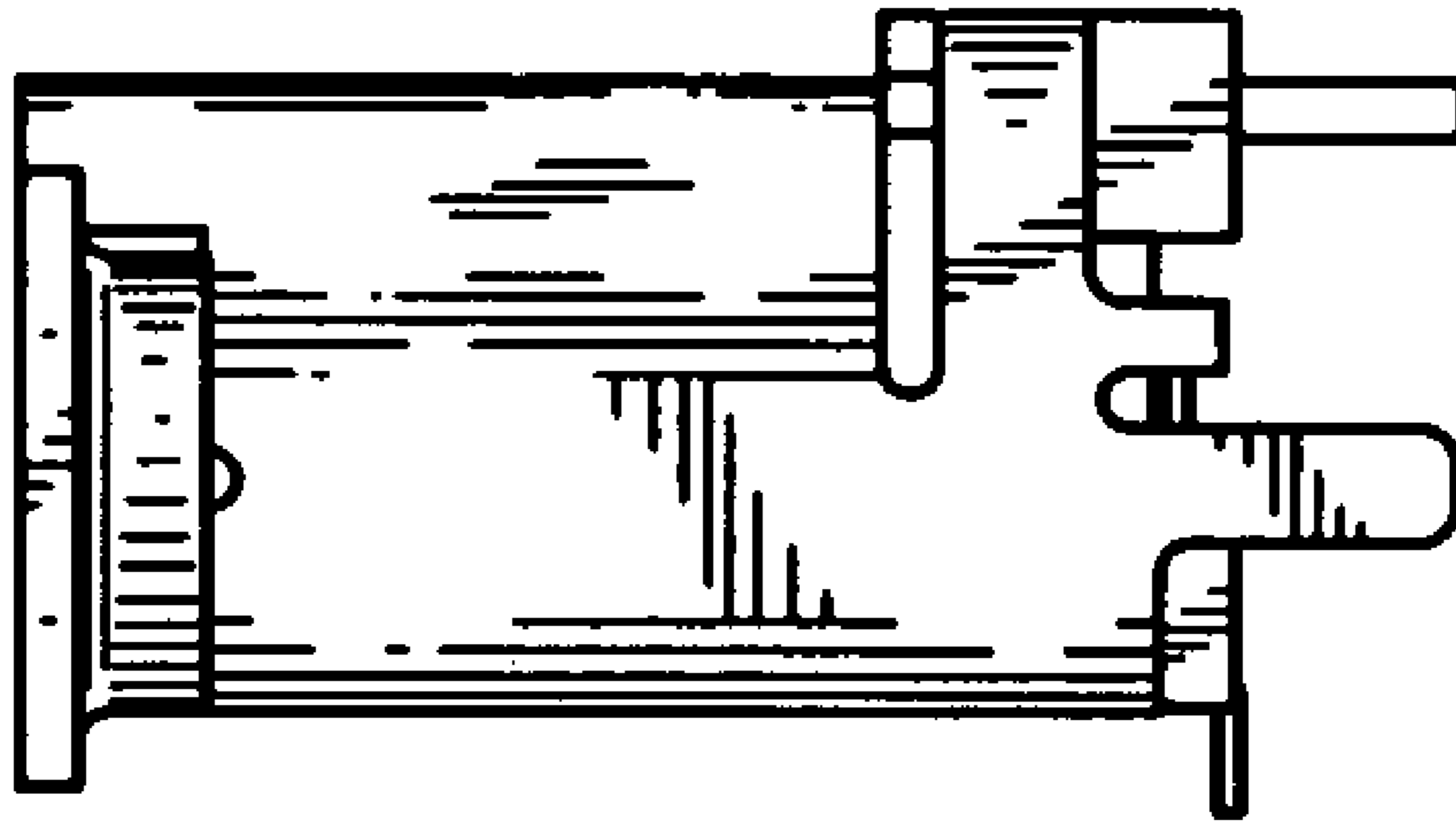


FIG. 4

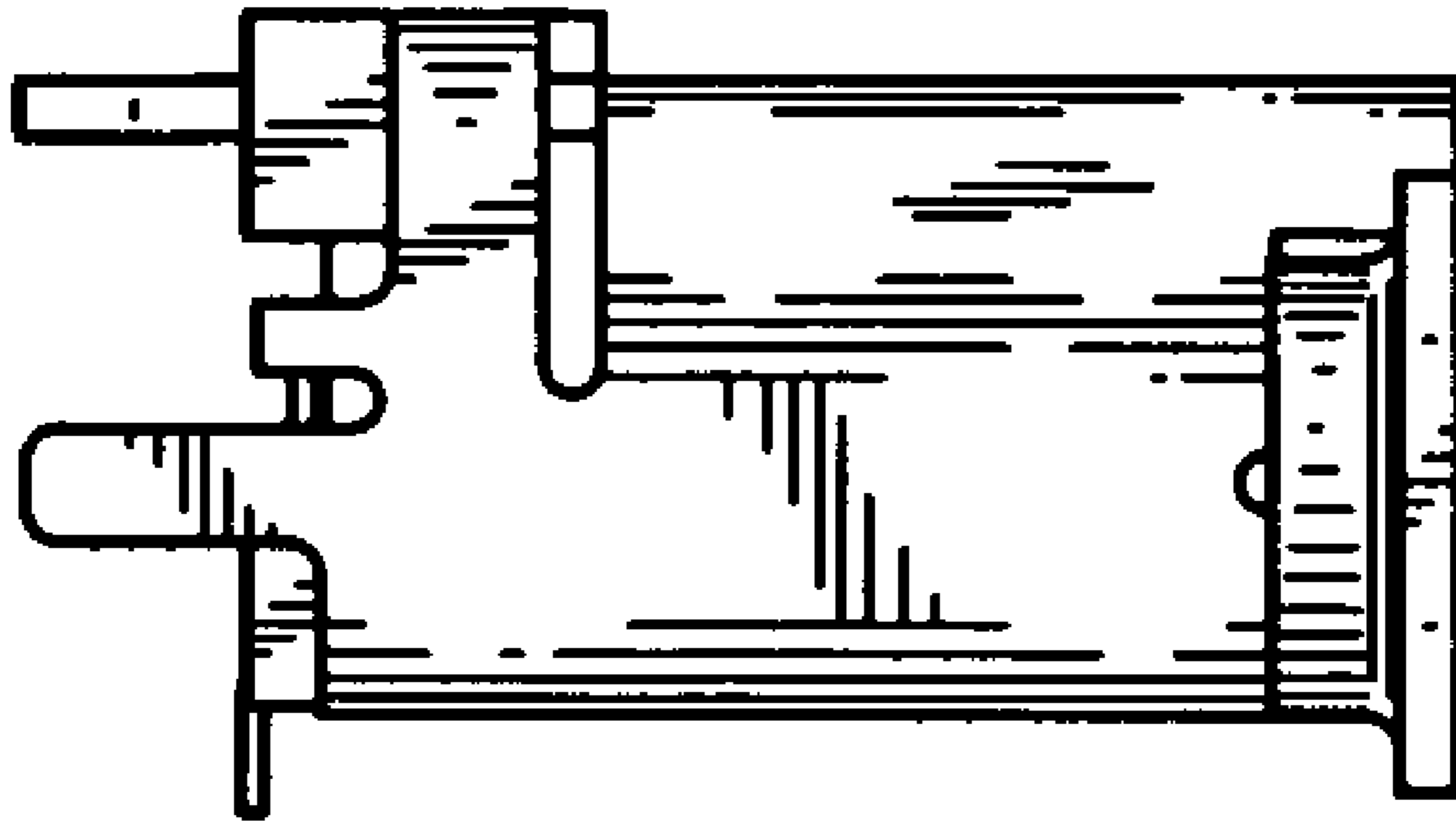


FIG. 5

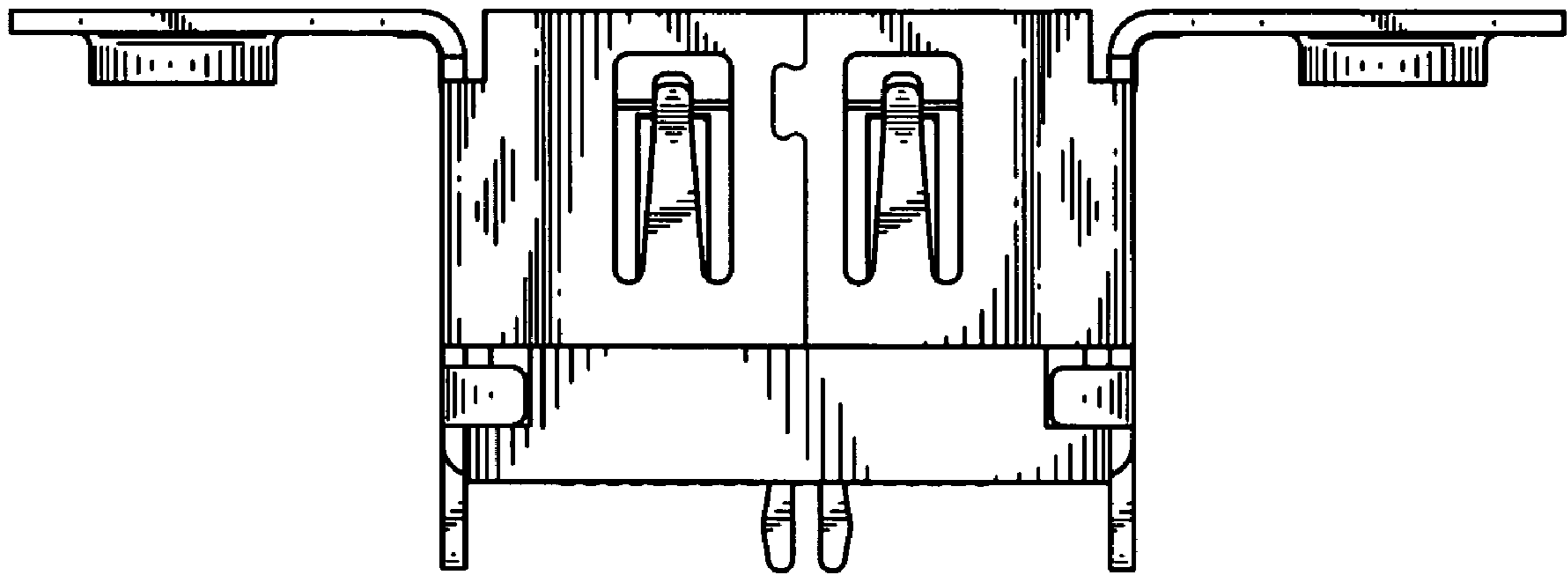


FIG. 6

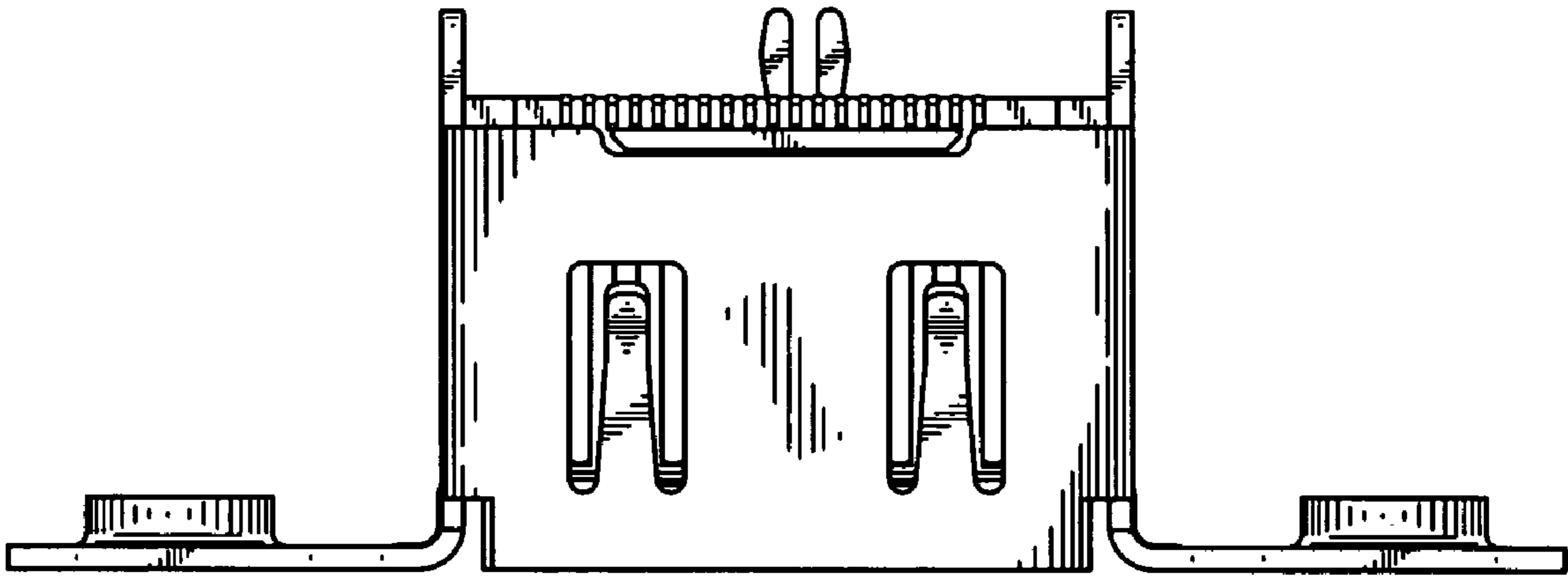


FIG. 7

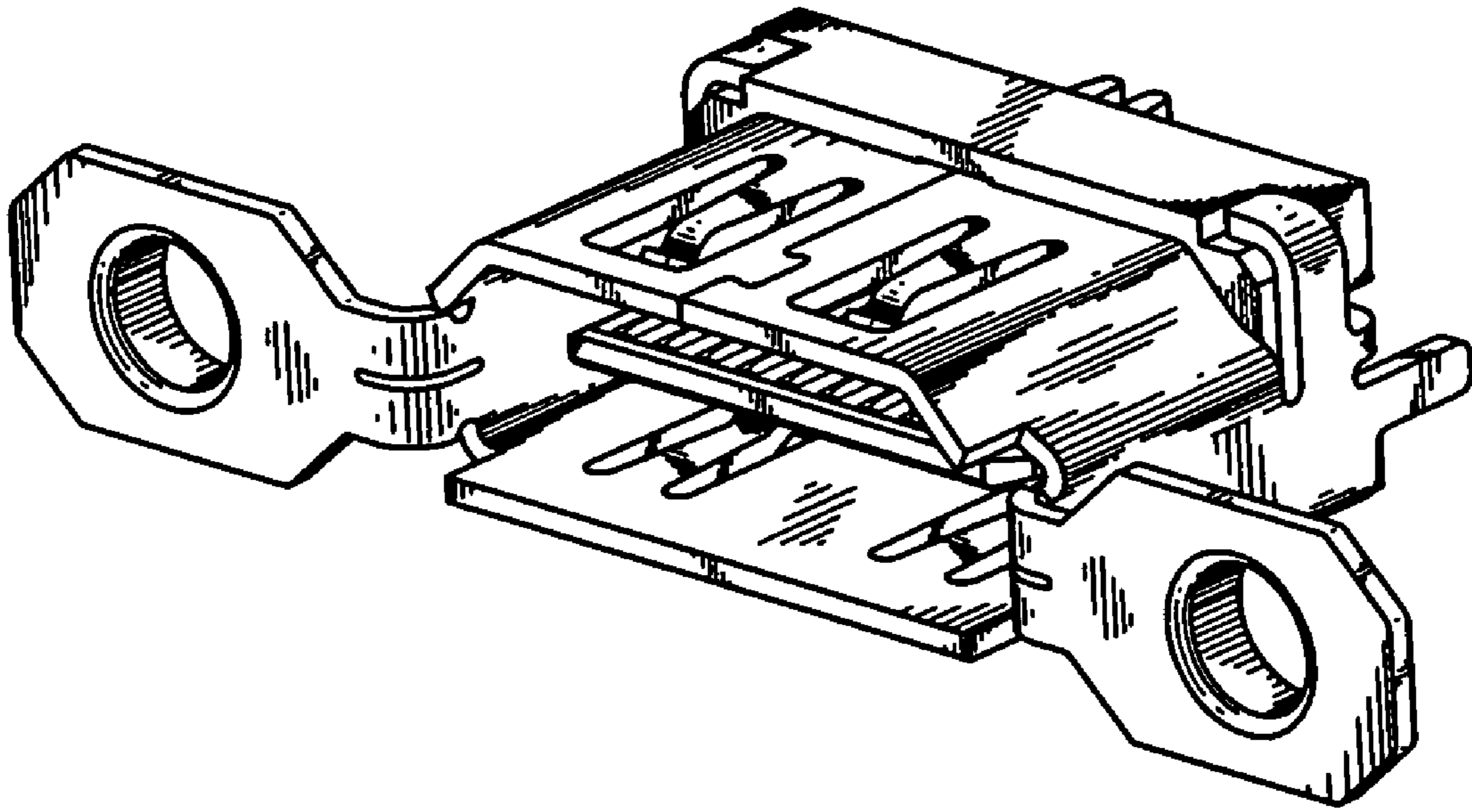


FIG. 8