



US00D591682S

(12) **United States Design Patent**
Lin

(10) **Patent No.:** **US D591,682 S**
(45) **Date of Patent:** **** May 5, 2009**

(54) **WATERPROOF ELECTRIC OUTLET**

(75) Inventor: **Yu-Yuan Lin**, Tainan (TW)

(73) Assignee: **Uni-Splendor Corp.**, Tainan (TW)

(**) Term: **14 Years**

(21) Appl. No.: **29/320,569**

(22) Filed: **Jun. 30, 2008**

(51) **LOC (9) Cl.** **13-03**

(52) **U.S. Cl.** **D13/139.2**

(58) **Field of Classification Search** D13/139.1,
D13/139.2, 139.3, 139.4, 139.5, 139.6, 139.7,
D13/139.8, 138.1, 138.2, 123, 133, 137.1,
D13/137.2, 184, 137.3, 137.4, 124, 160, 162,
D13/164, 178, 154, 156, 107, 110, 145, 177;
D14/433, 256; D8/350, 353; 174/53, 55,
174/56, 59, 66, 494, 153 G, 152 G, 154, 167,
174/168, 650, 656, 481, 504; 439/101, 105,
439/43, 53, 374, 894, 46, 55, 63, 92, 93,
439/95, 102, 106, 107, 108, 135, 149, 222,
439/266, 285, 291, 300, 344, 373, 535, 620.21,
439/638, 660, 907, 650, 651, 652, 653, 654;
361/42

See application file for complete search history.

(56) **References Cited**

U.S. PATENT DOCUMENTS

D283,271 S * 4/1986 Bannigan D3/274
D310,476 S * 9/1990 Grenell D8/353

D365,803 S * 1/1996 Boesel et al. D13/139.8
D380,195 S * 6/1997 Stekelenburg D13/139.6
D435,518 S * 12/2000 Stekelenburg D13/139.8
D443,249 S * 6/2001 Lee D13/139.8
6,417,450 B1 * 7/2002 Young 174/66
D547,726 S * 7/2007 Ng D13/139.8
D563,903 S * 3/2008 Radau et al. D13/162

* cited by examiner

Primary Examiner—Jennifer Rivard

Assistant Examiner—Angela J Lee

(74) *Attorney, Agent, or Firm*—Alan Kamrath; Kamrath & Associates PA

(57) **CLAIM**

The ornamental design for waterproof electric outlet, as shown and described.

DESCRIPTION

FIG. 1 is a perspective view of a waterproof electric outlet showing my new design;

FIG. 2 is a front side elevational view thereof;

FIG. 3 is a rear side elevational view thereof;

FIG. 4 is a left side elevational view thereof;

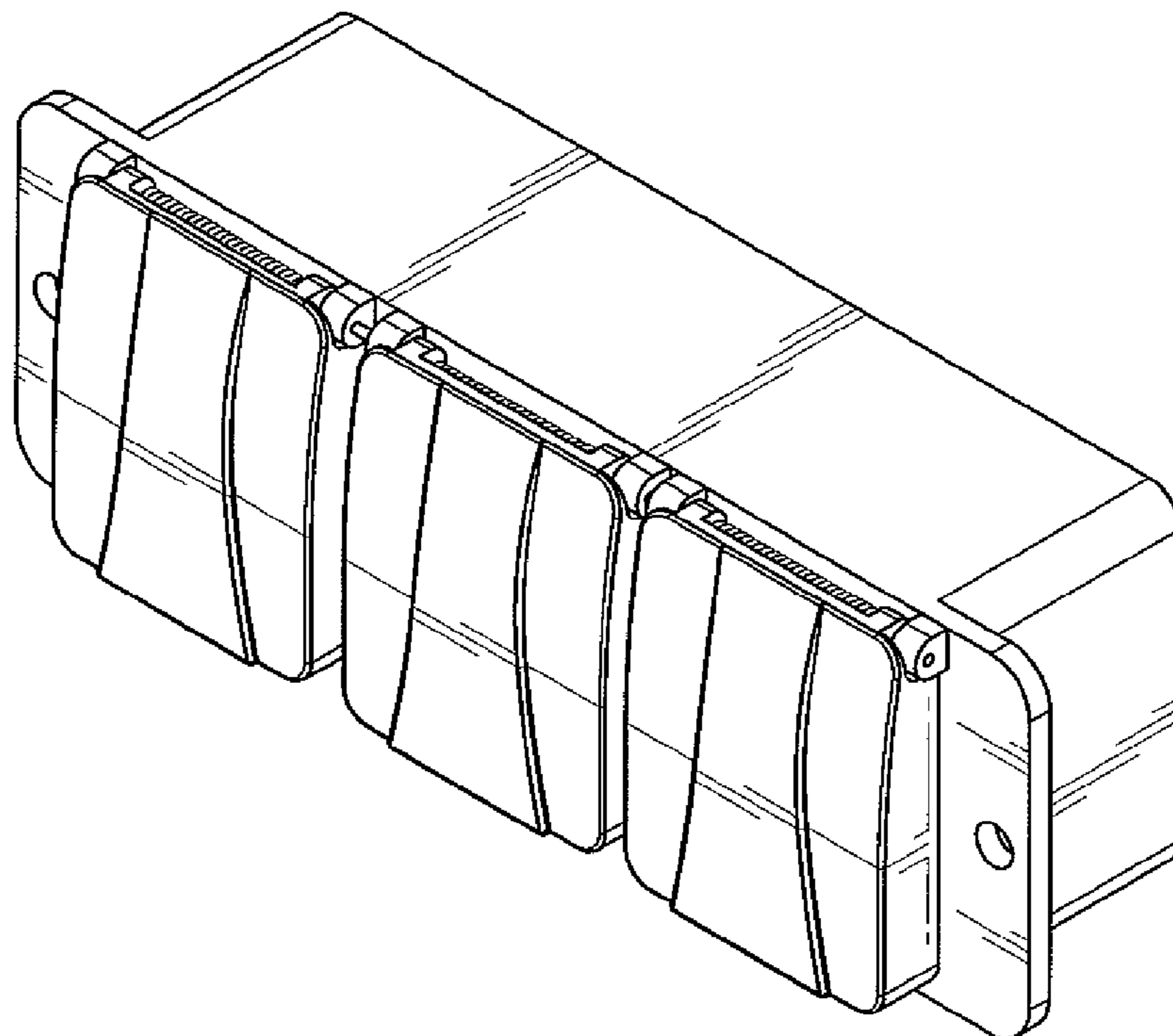
FIG. 5 is a right side elevational view thereof;

FIG. 6 is a top plan view thereof;

FIG. 7 is a bottom plan view thereof; and,

FIG. 8 is a perspective view of the waterproof electric outlet shown in an open position.

1 Claim, 3 Drawing Sheets



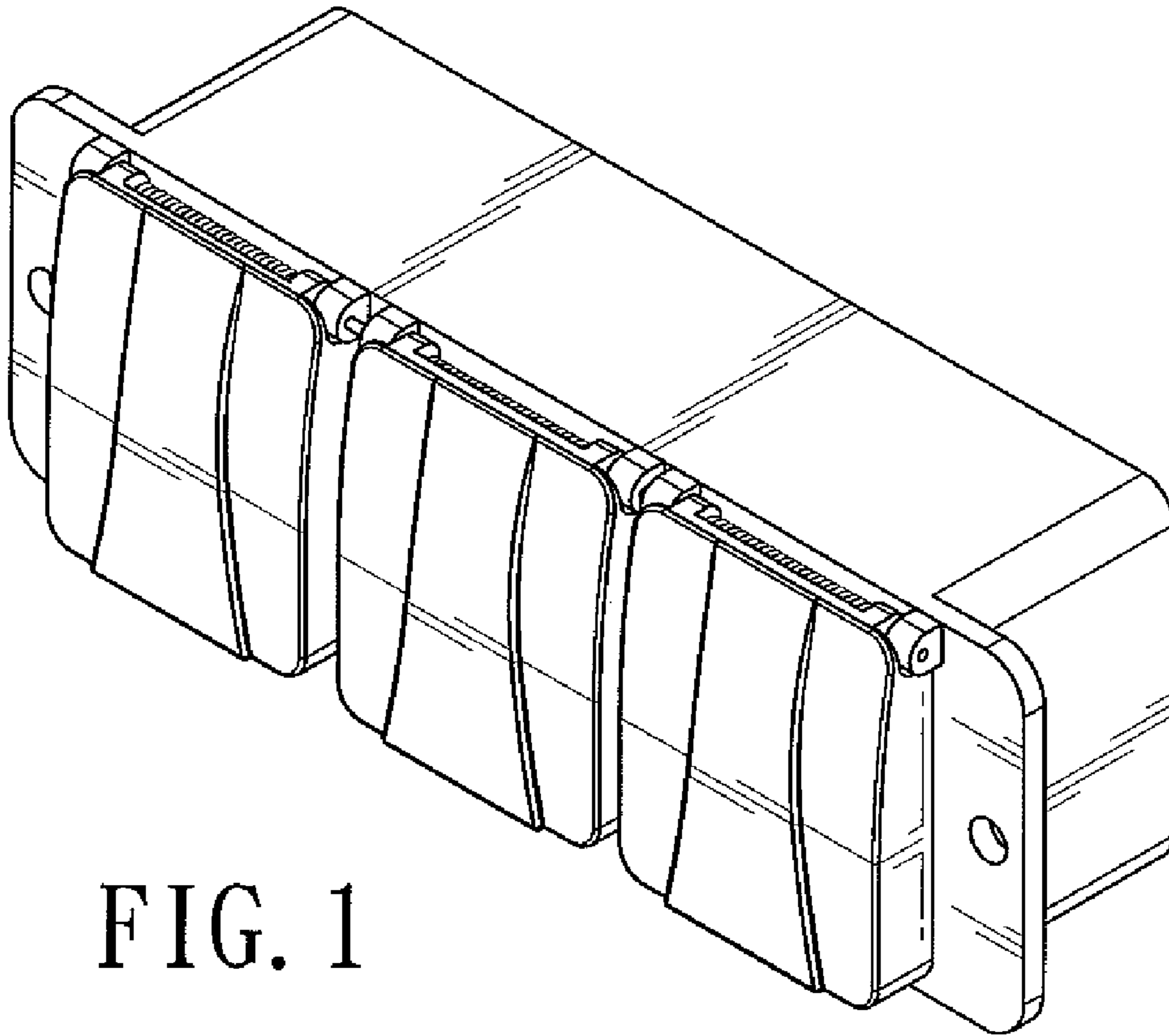


FIG. 1

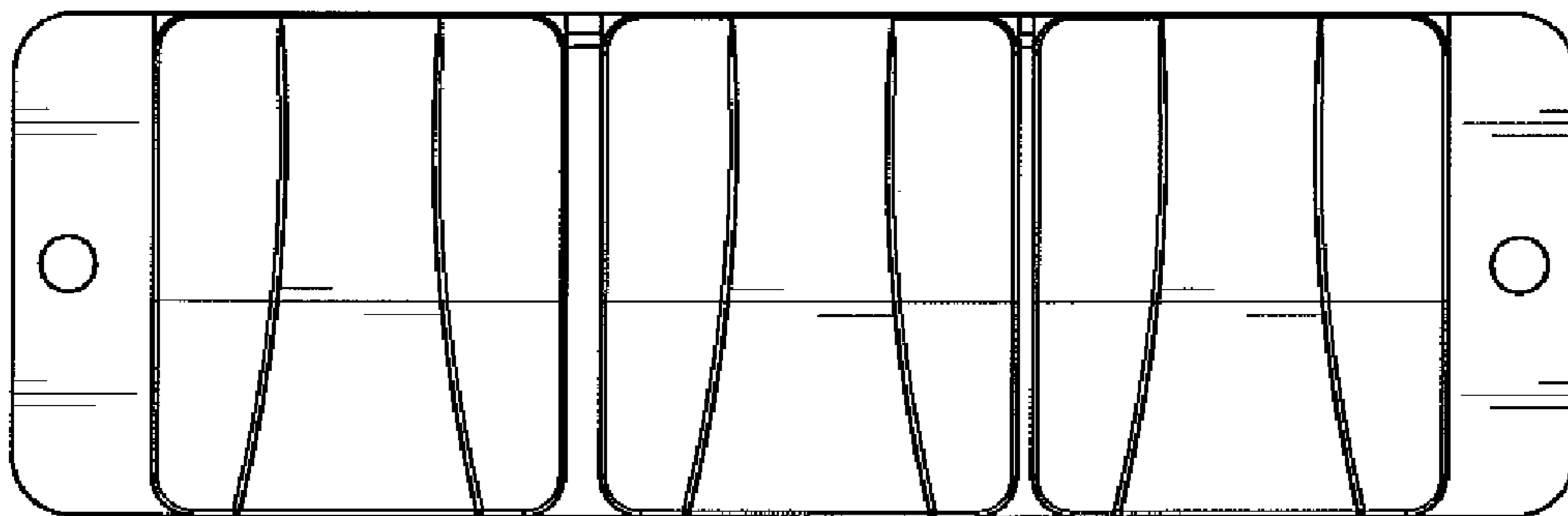


FIG. 2

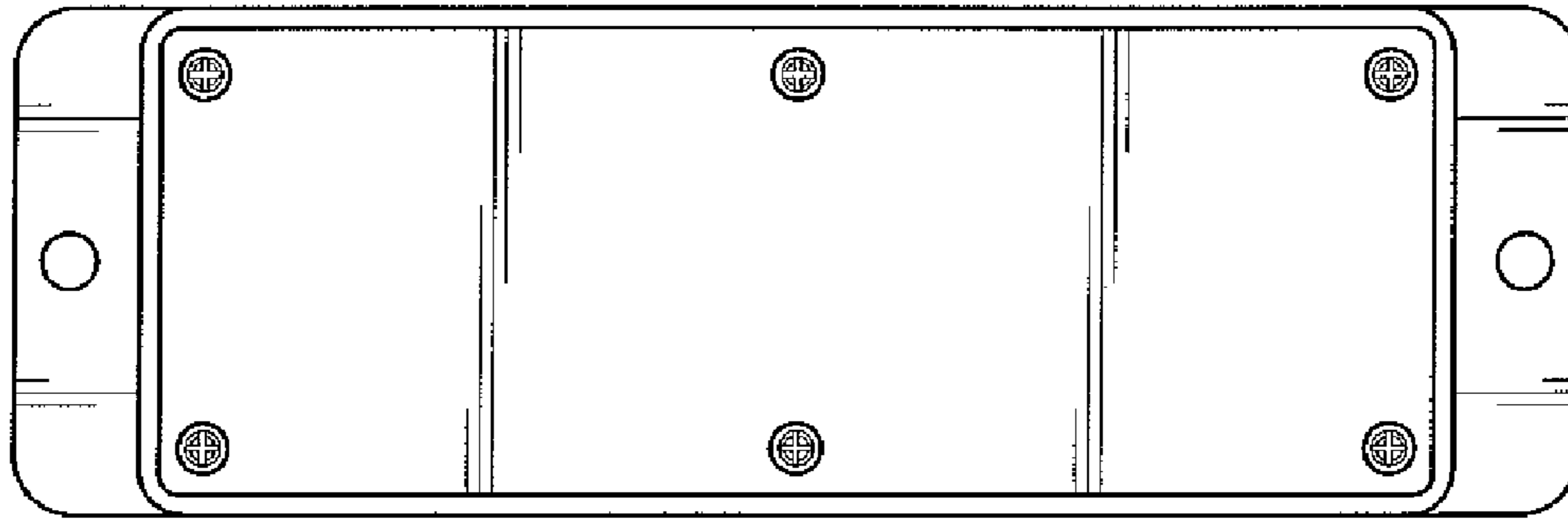


FIG. 3

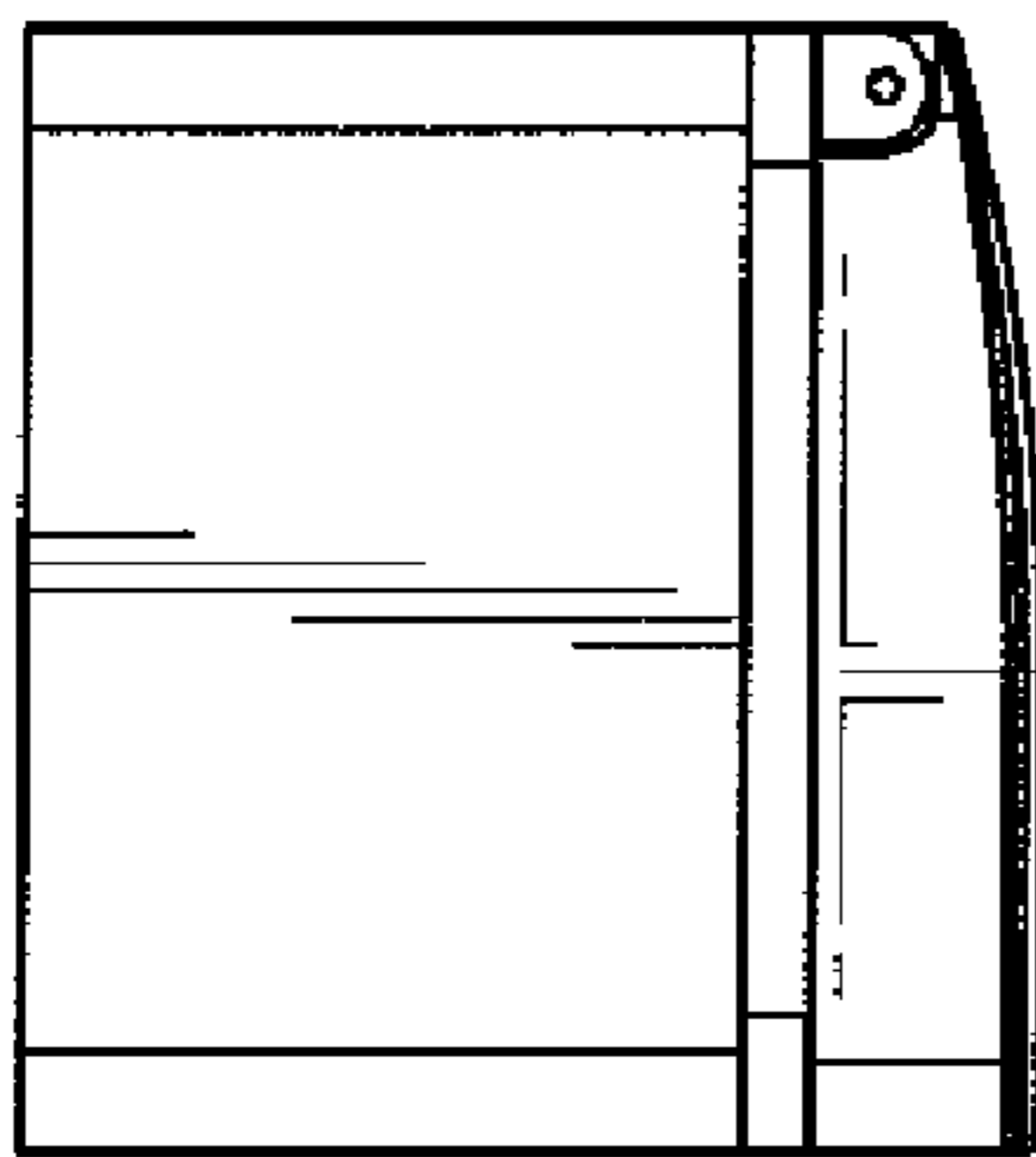


FIG. 4

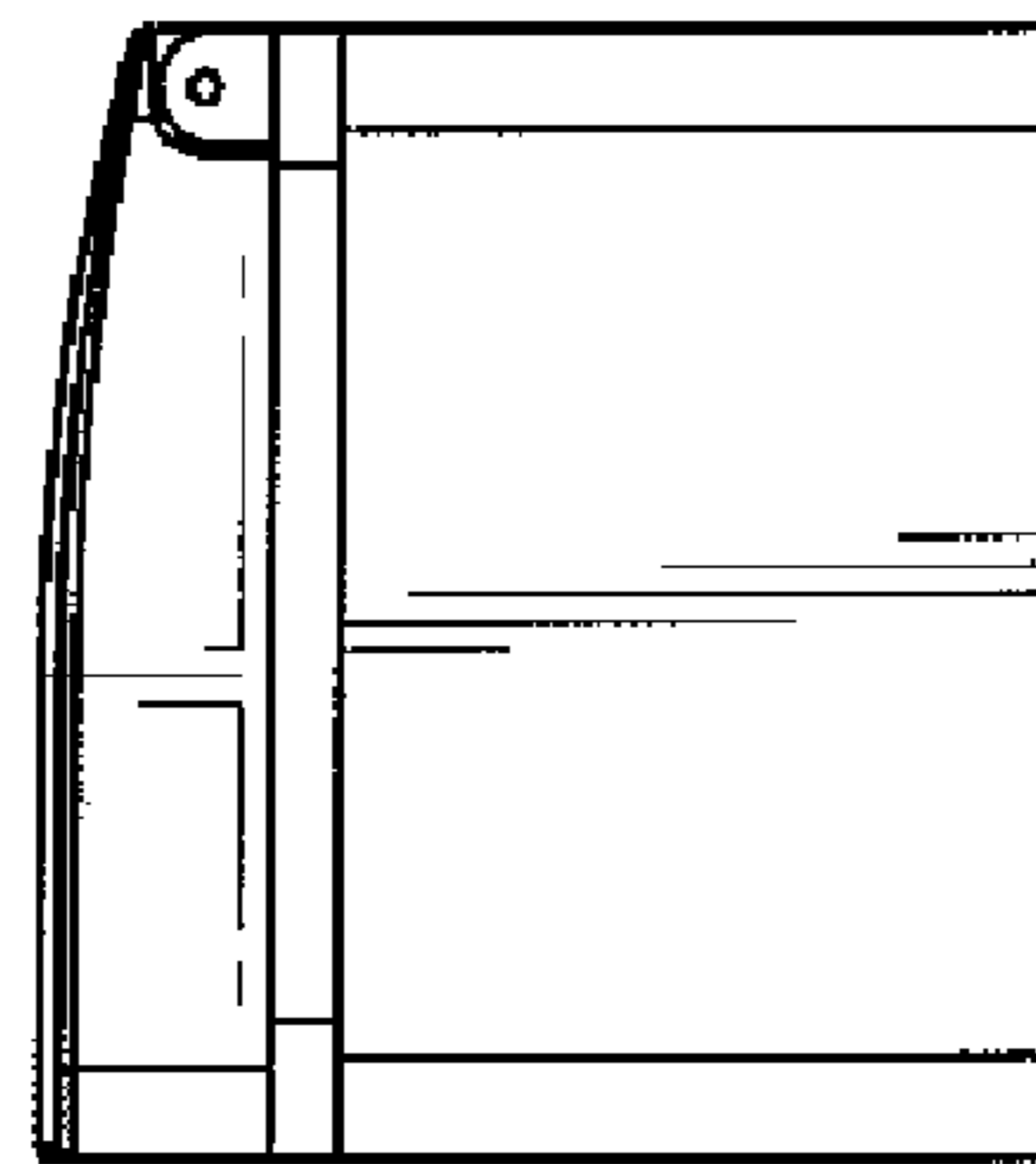


FIG. 5

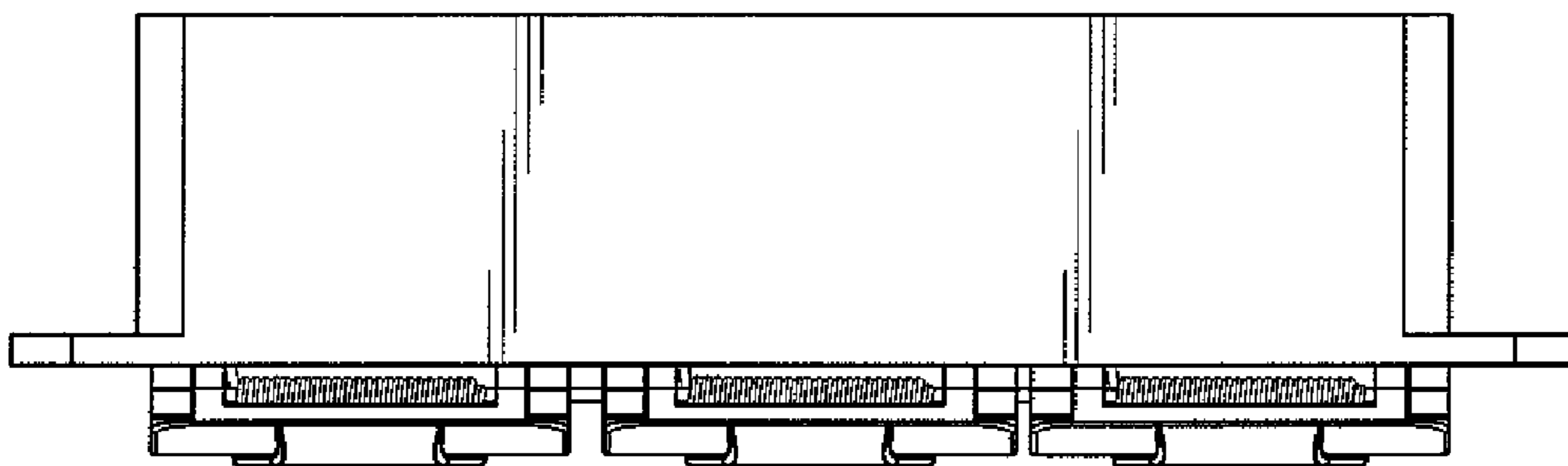


FIG. 6

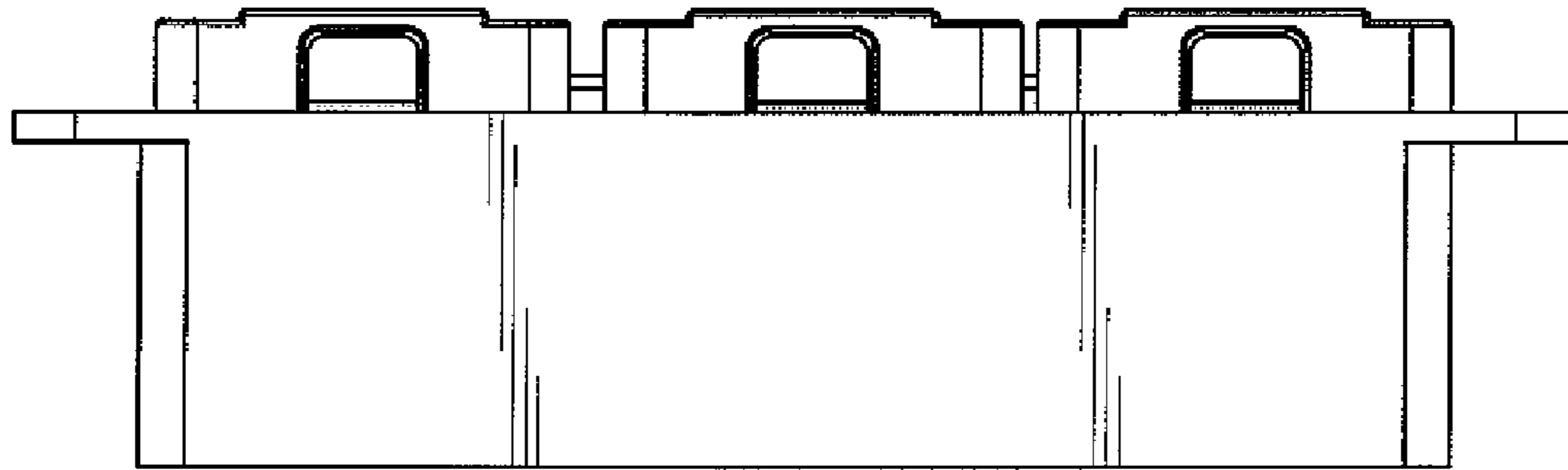


FIG. 7

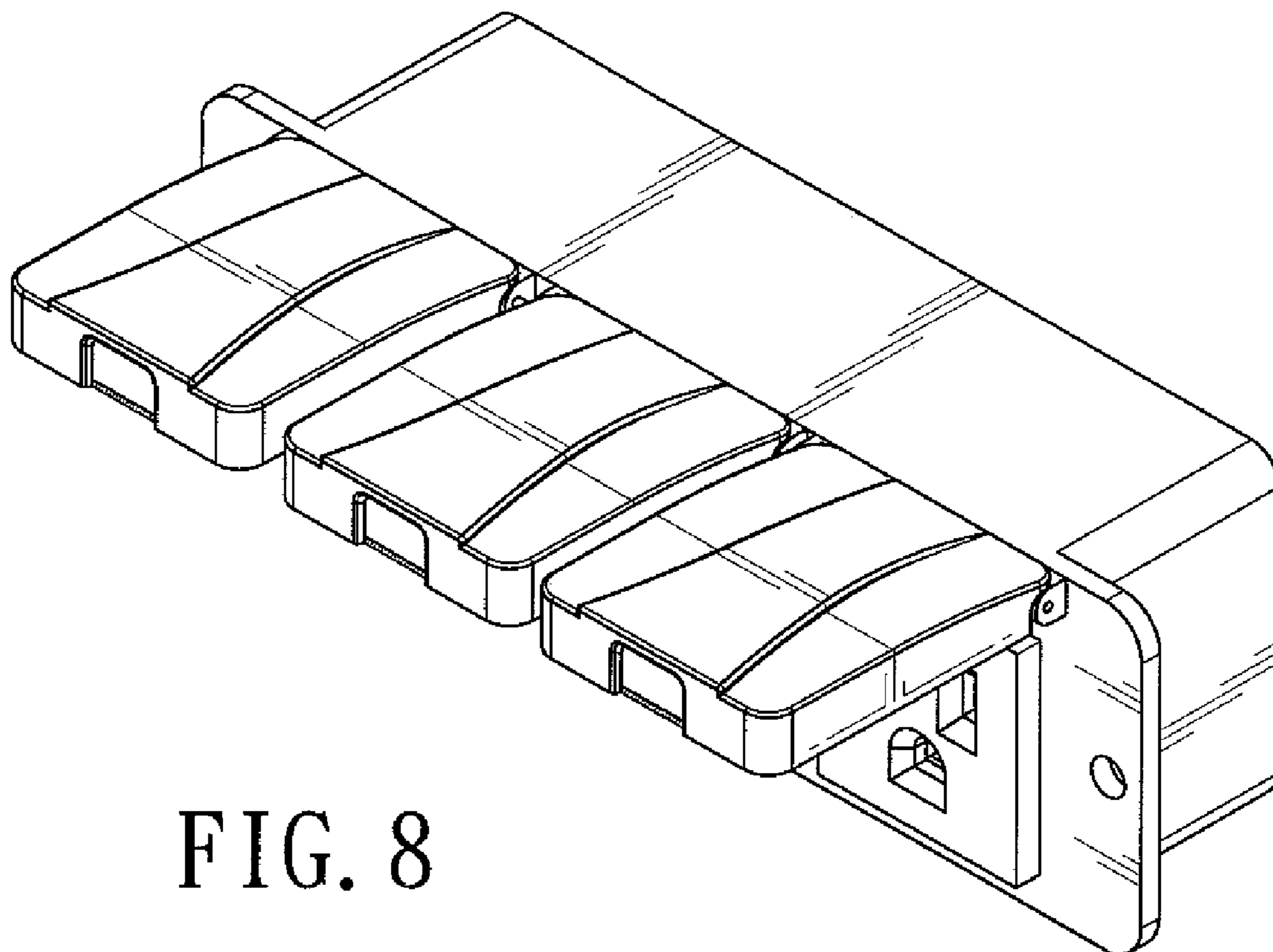


FIG. 8