

US00D591681S

(12) **United States Design Patent**  
**Zayas**

(10) **Patent No.:** **US D591,681 S**

(45) **Date of Patent:** **\*\* May 5, 2009**

(54) **ELECTRICAL PLUG ADAPTER**

(75) Inventor: **Betty Jean Zayas**, Bridgeport, CT (US)

(73) Assignee: **Light Sources, Inc.**, Orange, CT (US)

(\*\*) Term: **14 Years**

(21) Appl. No.: **29/319,304**

(22) Filed: **Jun. 6, 2008**

(51) **LOC (9) Cl.** ..... **13-03**

(52) **U.S. Cl.** ..... **D13/139.1; D13/134**

(58) **Field of Classification Search** ..... D13/139.1,  
D13/139.2, 139.3, 139.4, 139.5, 139.6, 139.7,  
D13/139.8, 138.1, 138.2, 123, 133, 137.1,  
D13/137.2, 184, 137.3, 137.4, 124, 160, 162,  
D13/164, 178, 154, 156, 107, 110, 145, 177,  
D13/134, 135, 136; D14/433, 256; D8/350,  
D8/353; 174/53, 55, 56, 59, 66, 494, 153 G,  
174/152 G, 154, 167, 168, 650, 656, 481,  
174/504; 439/101, 105, 43, 53, 374, 894,  
439/46, 55, 63, 92, 93, 95, 102, 106, 107,  
439/108, 135, 149, 222, 266, 285, 291, 300,  
439/344, 373, 535, 620.21, 638, 660, 907,  
439/650, 651, 652, 653, 654; 361/42; 313/51,  
313/318.12

See application file for complete search history.

(56) **References Cited**

**U.S. PATENT DOCUMENTS**

4,093,332 A \* 6/1978 Simko ..... 439/293  
D300,314 S \* 3/1989 Krzyzanowski et al. . D13/137.3  
6,257,938 B1 \* 7/2001 Day et al. .... 439/723

D474,447 S \* 5/2003 Kano ..... D13/133  
D509,791 S \* 9/2005 Dworschak ..... D13/110  
D527,345 S \* 8/2006 Zhang ..... D13/133  
D531,120 S \* 10/2006 Tamura ..... D13/133  
D537,781 S \* 3/2007 Tamura ..... D13/133  
D546,765 S \* 7/2007 Ciancanelli et al. .... D13/136  
D561,101 S \* 2/2008 Sakamoto ..... D13/133  
D575,235 S \* 8/2008 Zayas ..... D13/136  
D577,337 S \* 9/2008 Zayas ..... D13/134  
2008/0182454 A1 \* 7/2008 Zayas ..... 439/617

\* cited by examiner

*Primary Examiner*—Jennifer Rivard

*Assistant Examiner*—Angela J Lee

(74) *Attorney, Agent, or Firm*—Cantor Colburn LLP

(57) **CLAIM**

The ornamental design for an electrical plug adapter, as shown and described.

**DESCRIPTION**

FIG. 1 is a front upper perspective view of my new electrical plug adapter;

FIG. 2 is a rear upper perspective view of my new electrical plug adapter;

FIG. 3 is a rear view of FIG. 1;

FIG. 4 is a front view of FIG. 1;

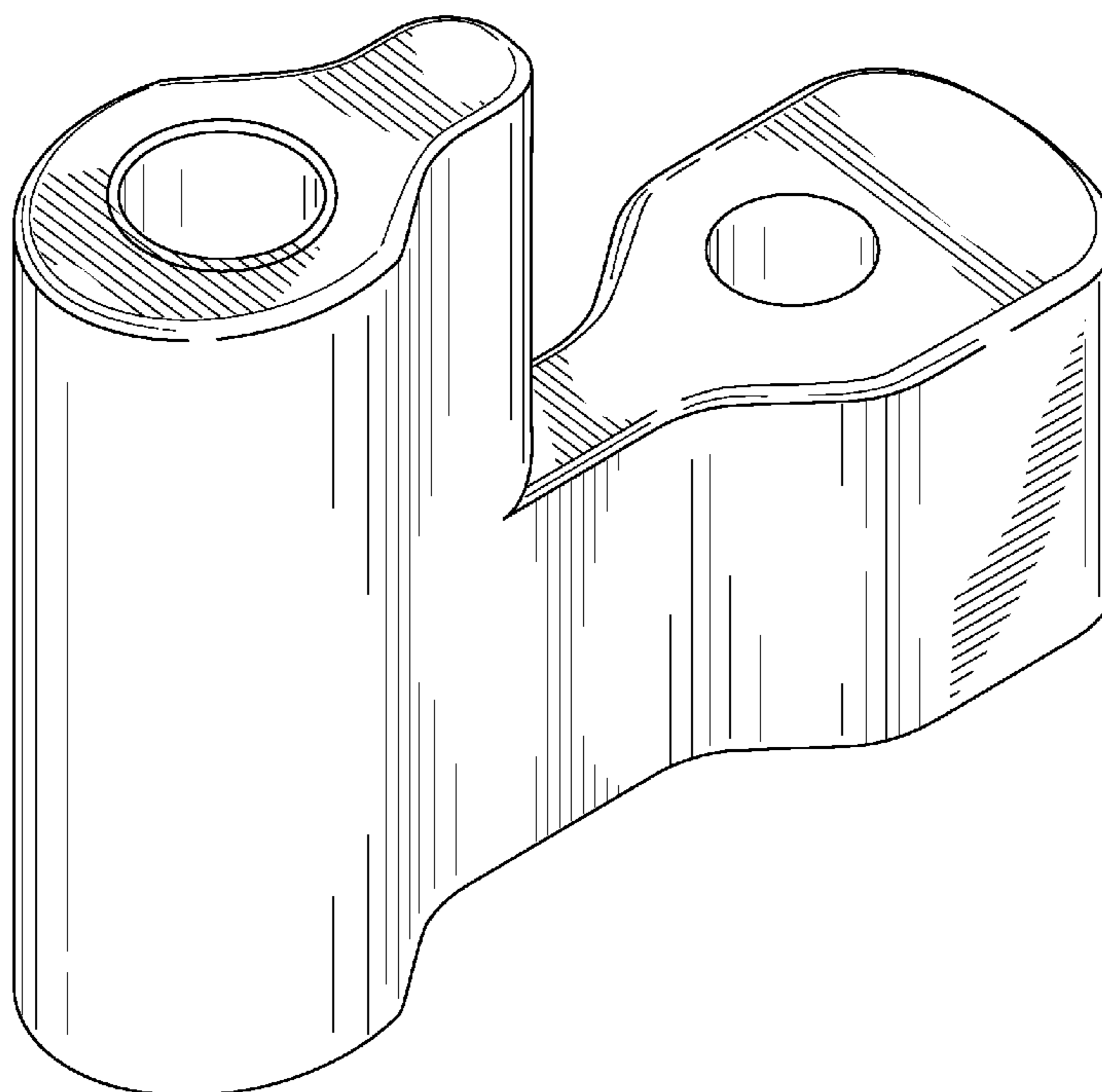
FIG. 5 is a bottom view of FIG. 1;

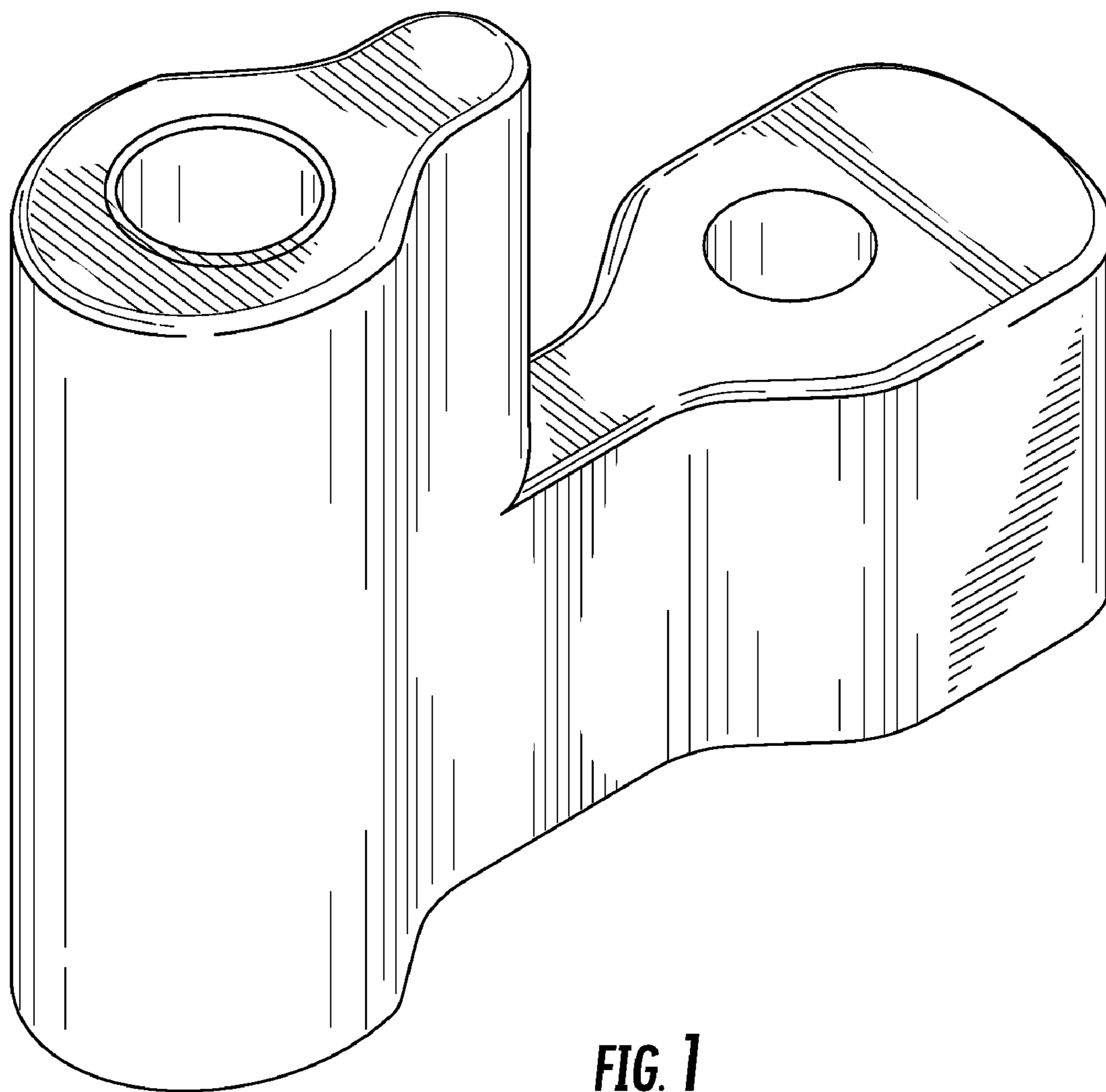
FIG. 6 is a top view of FIG. 1;

FIG. 7 is a right side view of FIG. 1; and,

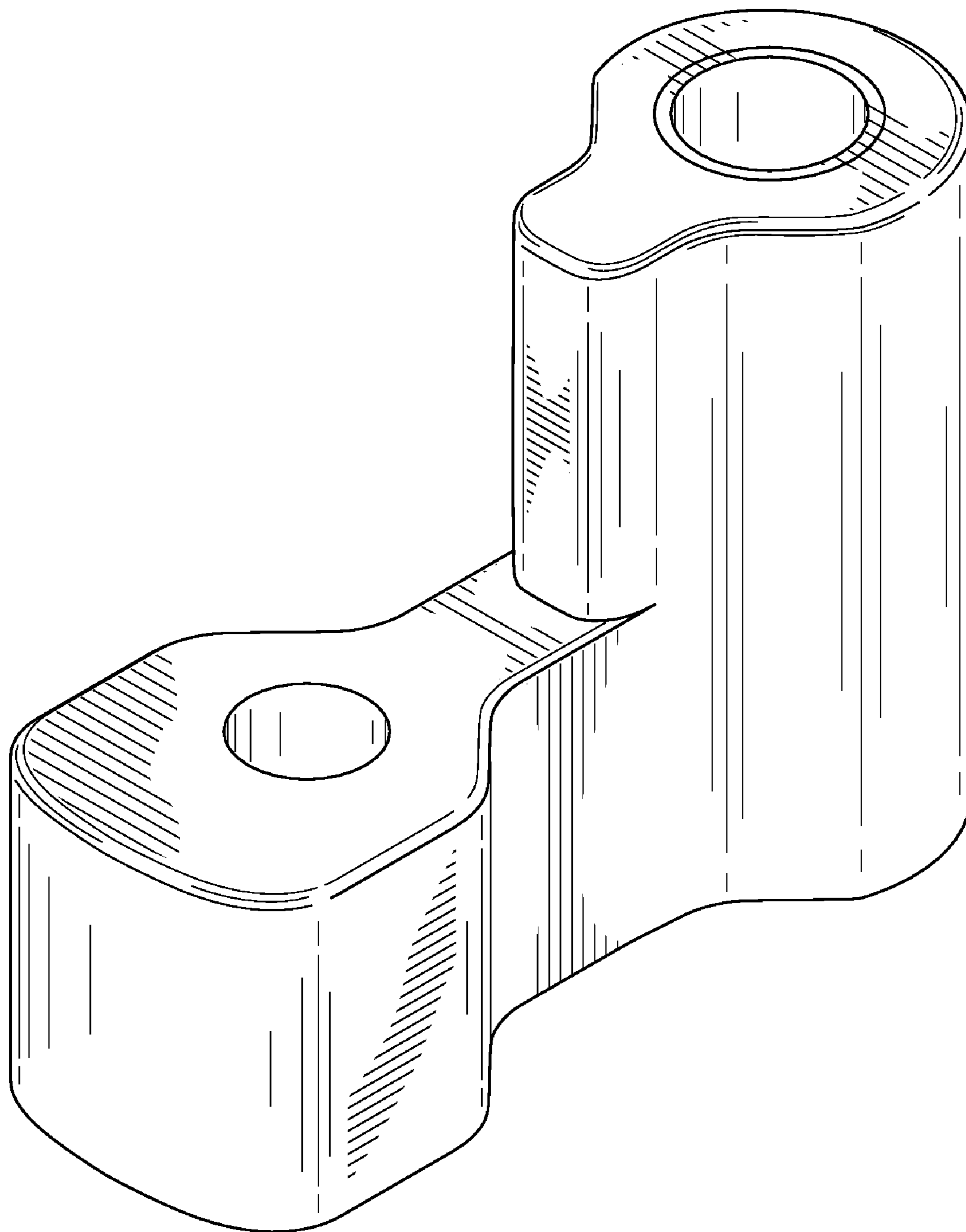
FIG. 8 is a left side view of FIG. 1.

**1 Claim, 8 Drawing Sheets**

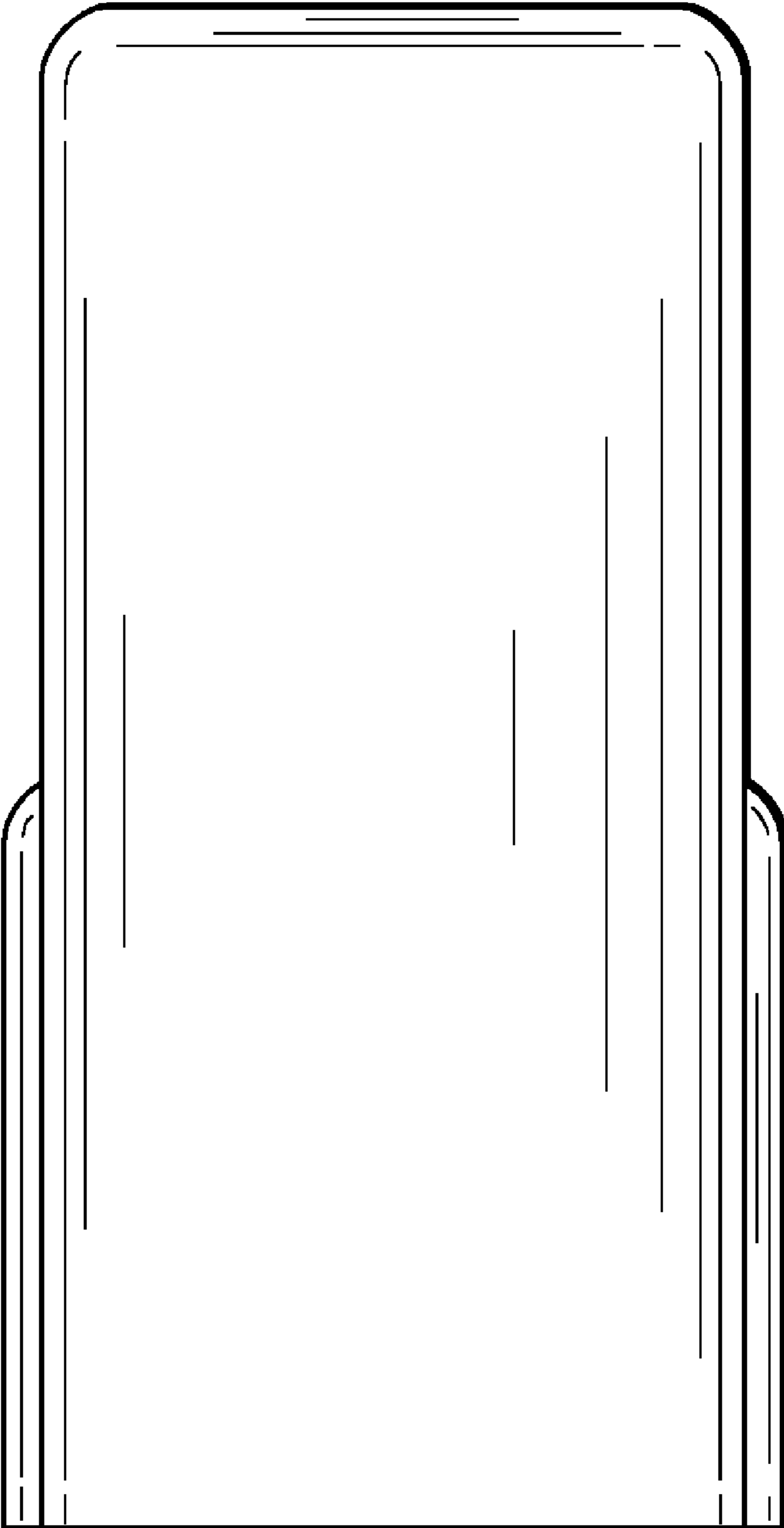




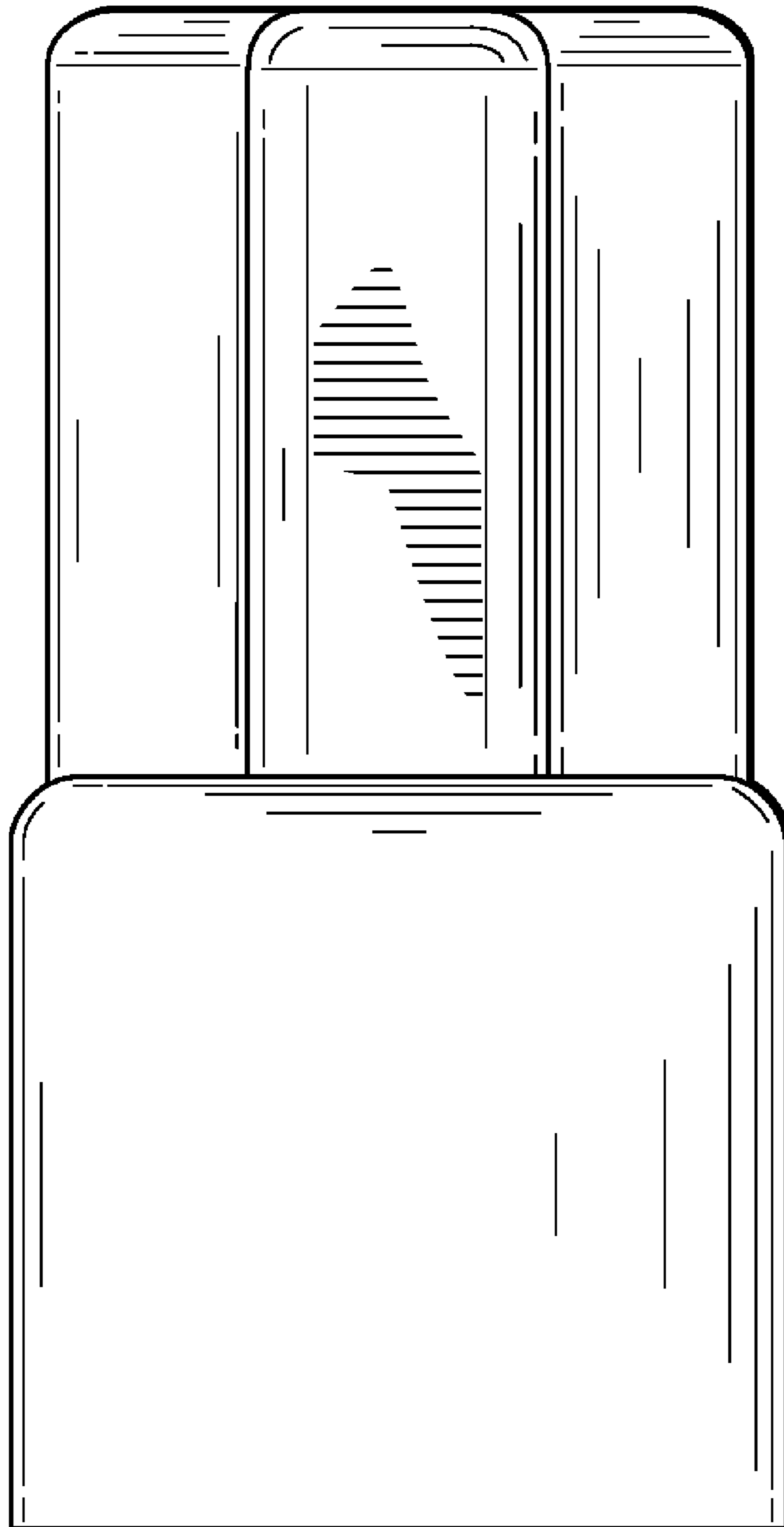
**FIG. 1**



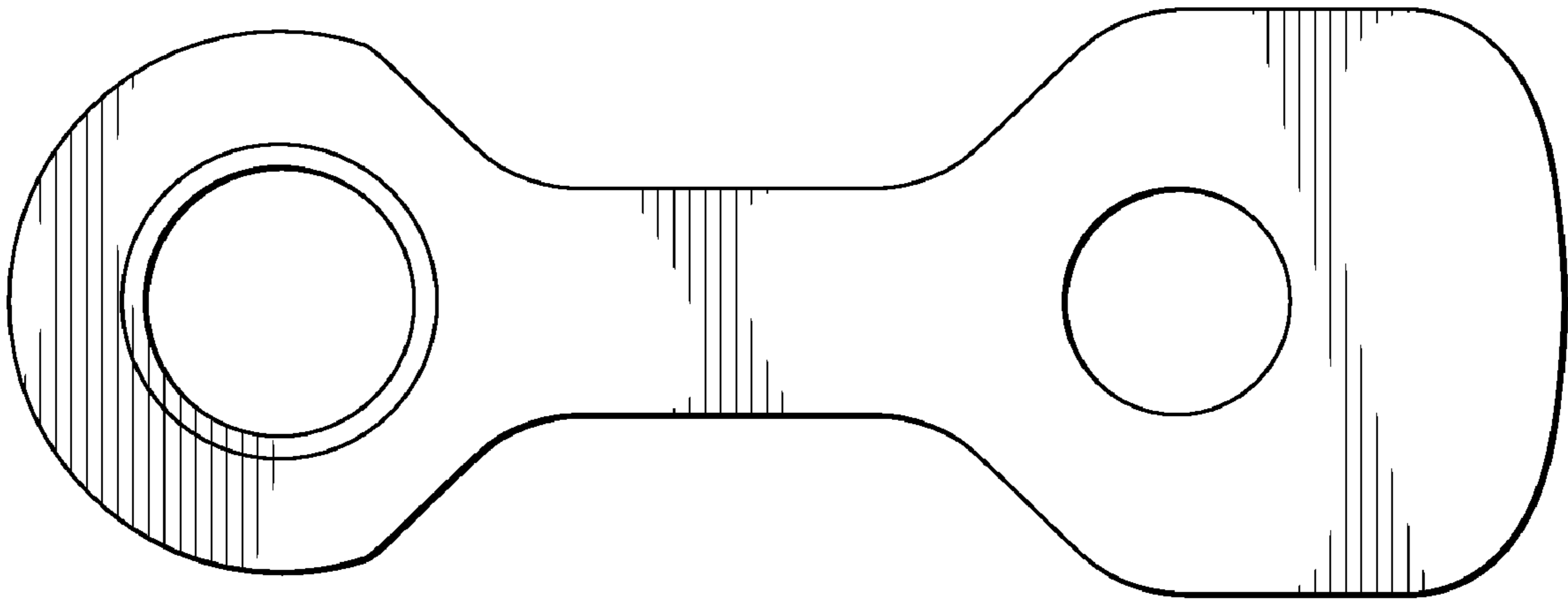
**FIG. 2**



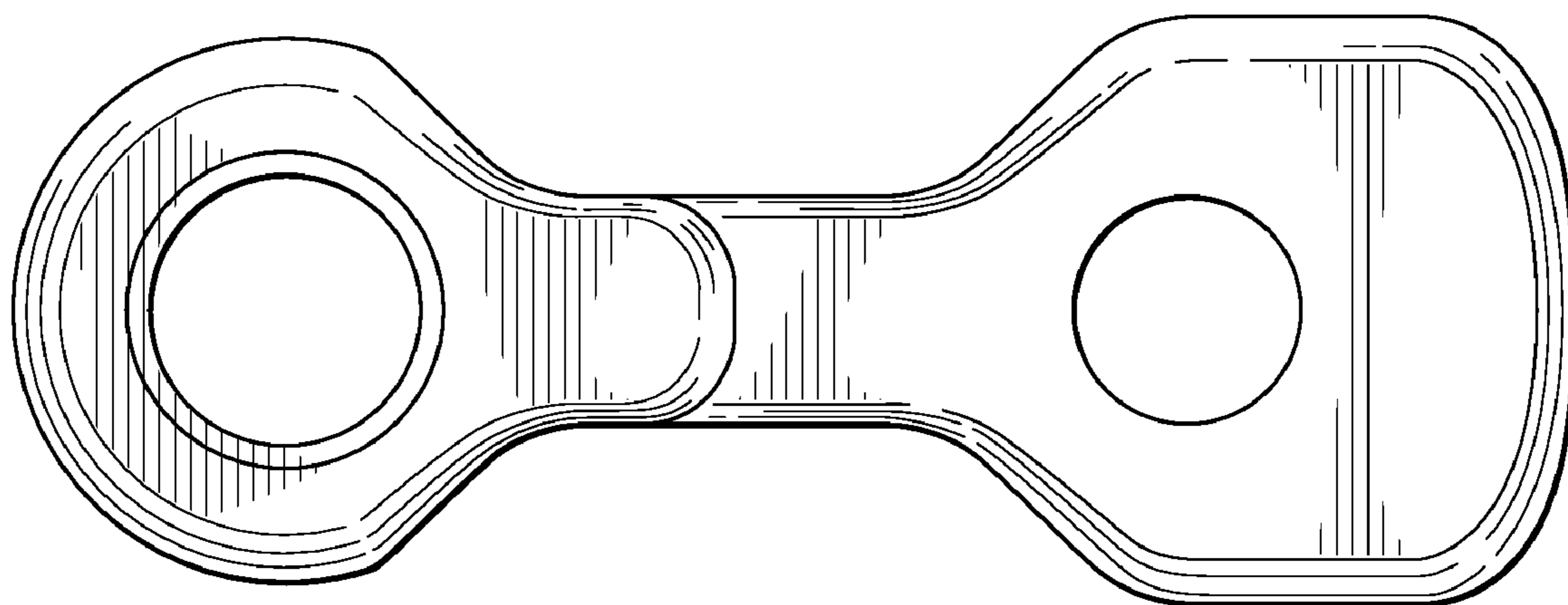
**FIG. 3**



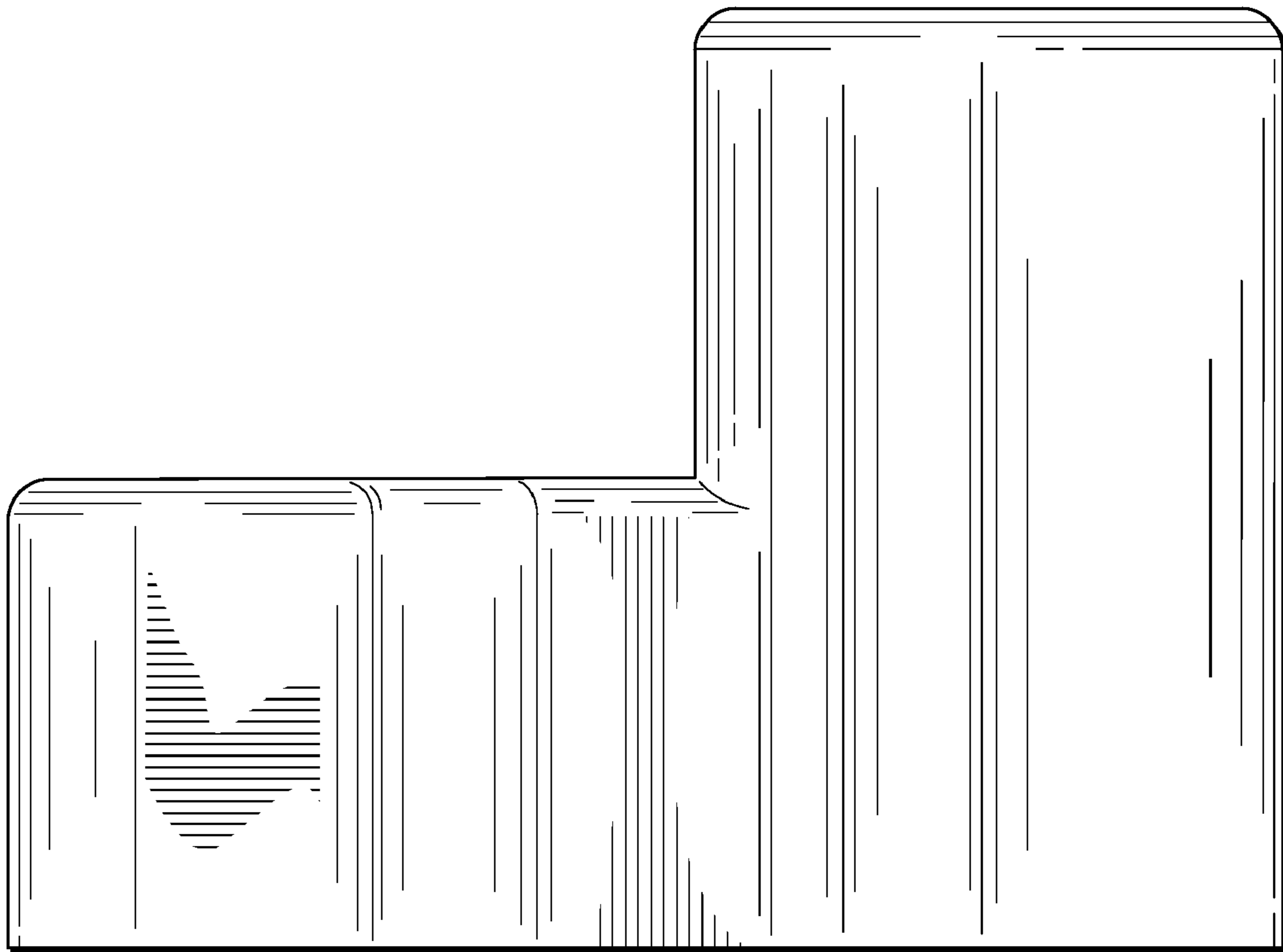
**FIG. 4**



**FIG. 5**

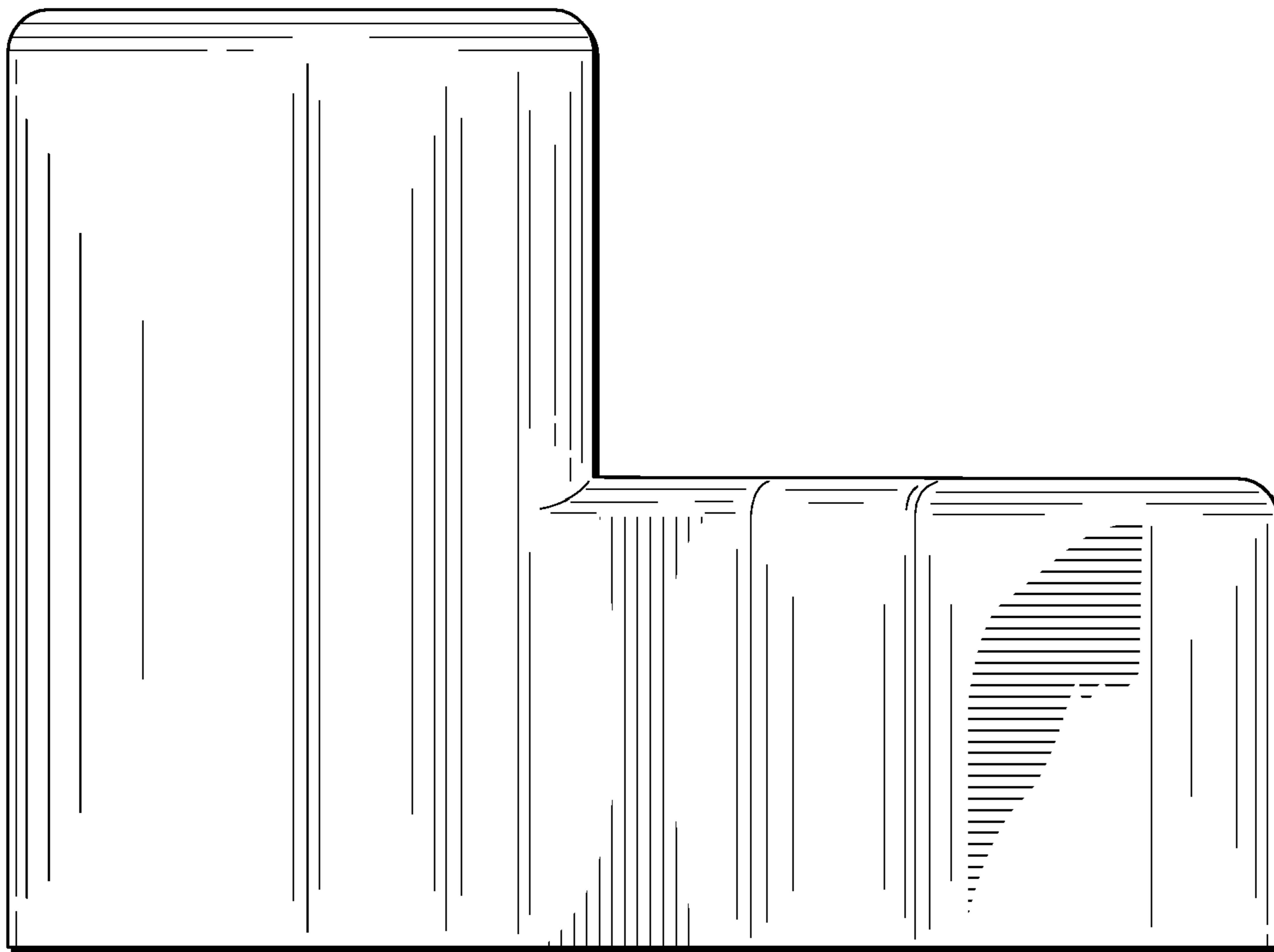


**FIG. 6**



**FIG. 7**





**FIG. 8**