



US00D591680S

(12) **United States Design Patent**  
**Ho'o et al.**

(10) **Patent No.:** **US D591,680 S**  
(45) **Date of Patent:** **\*\* May 5, 2009**

(54) **ELECTRICAL EXTENSION CORD PLUG AND RECEPTACLE**

(75) Inventors: **Galen Ho'o**, Pasadena, CA (US); **Victor C. Chan**, La Mirada, CA (US)

(73) Assignee: **Gehr Industries, Inc.**, Los Angeles, CA (US)

(\*\*) Term: **14 Years**

(21) Appl. No.: **29/308,755**

(22) Filed: **Jul. 2, 2008**

(51) **LOC (9) Cl.** ..... **13-03**

(52) **U.S. Cl.** ..... **D13/138.2; D13/137.4**

(58) **Field of Classification Search** ..... D13/139.1, D13/139.2, 139.3, 139.4, 139.5, 139.6, 139.7, D13/139.8, 138.1, 138.2, 123, 133, 137.1, D13/137.2, 184, 137.3, 137.4, 124, 160, 162, D13/164, 178, 154, 156, 107, 110, 145, 177; D14/433, 256; D8/350, 353; 174/53, 55, 174/56, 59, 66, 494, 153 G, 152 G, 154, 167, 174/168, 650, 656, 481, 504; 439/101, 105, 439/43, 53, 374, 894, 46, 55, 63, 92, 93, 439/95, 102, 106, 107, 108, 135, 149, 222, 439/266, 285, 291, 300, 344, 373, 535, 620.21, 439/638, 660, 907, 650, 651, 652, 653, 654; 361/42

See application file for complete search history.

(56) **References Cited**

**U.S. PATENT DOCUMENTS**

5,007,857 A \* 4/1991 Wright ..... 439/490

(Continued)

**OTHER PUBLICATIONS**

Gehr Industries, Inc.'s United States Trademark Registration No. 1,742,783; Registered on Dec. 29, 1992.  
Perspective drawing showing the Gehr electrical plug and receptacle design.

*Primary Examiner*—Jennifer Rivard  
*Assistant Examiner*—Angela J Lee

(74) *Attorney, Agent, or Firm*—Christie, Parker & Hale, LLP.

(57) **CLAIM**

The ornamental design for an electrical extension cord plug and receptacle, as shown and described.

**DESCRIPTION**

FIG. 1 is a front perspective view of an electrical extension cord plug and receptacle showing our new design.

FIG. 2 is a top plan view of the extension cord plug shown on the left side of FIG. 1.

FIG. 3 is an elevational view taken from the right side of the extension cord plug shown in FIG. 2, the left side thereof being a mirror image.

FIG. 4 is a plan view taken from the bottom side of the extension cord plug shown in FIG. 2.

FIG. 5 is an elevational view taken from the front side of the extension cord plug shown in FIG. 1.

FIG. 6 is an elevational view taken from the rear side of the extension cord plug shown in FIG. 1.

FIG. 7 is a top plan view of the extension cord receptacle shown on the right side of FIG. 1.

FIG. 8 is an elevational view taken from the right side of the extension cord receptacle shown in FIG. 7, the left side thereof being a mirror image.

FIG. 9 is a plan view taken from the bottom side of the extension cord receptacle shown in FIG. 7.

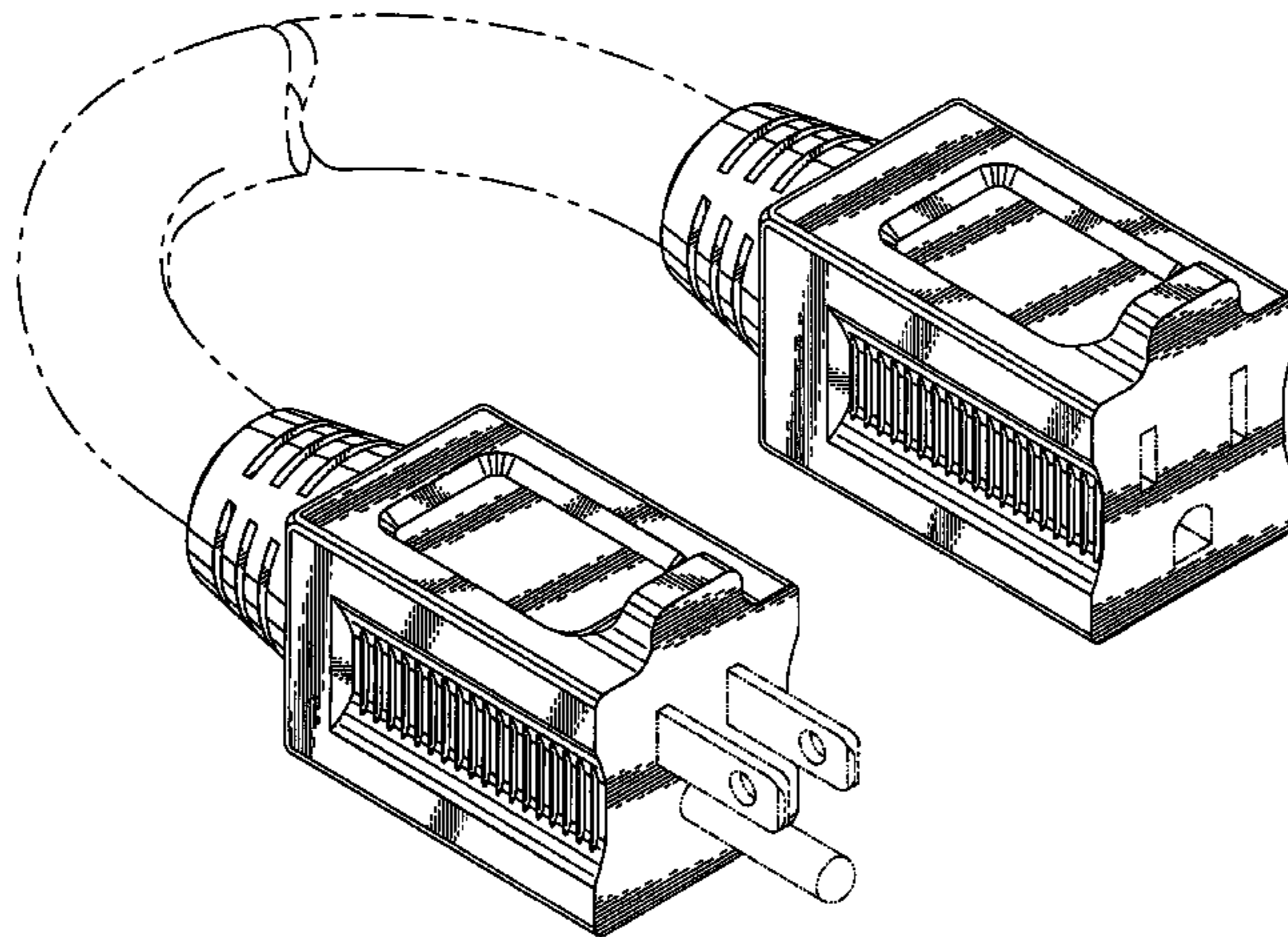
FIG. 10 is an elevational view taken from the front side of the extension cord receptacle shown in FIG. 1; and,

FIG. 11 is an elevational view taken from the rear side of the extension cord receptacle shown in FIG. 1.

The broken line showing of unclaimed portions of an electrical extension cord plug and receptacle is included for the purpose of illustrating environmental structure and forms no part of the claimed design.

For convenience of illustration the plug and receptacle elements of the claimed design are separately disclosed in FIGS. 2–11.

**1 Claim, 5 Drawing Sheets**



# US D591,680 S

Page 2

---

## U.S. PATENT DOCUMENTS

5,320,560	A *	6/1994	Fladung .....	439/490	6,710,254	B2 *	3/2004	Yueh .....	174/135
5,470,252	A *	11/1995	Fladung .....	439/490	D520,950	S *	5/2006	Mahoney .....	D13/139.8
D445,090	S *	7/2001	Payne et al. ....	D13/139.7	D548,185	S *	8/2007	Harano et al. ....	D13/133
D460,735	S *	7/2002	Verfuerth .....	D13/137.4	D553,089	S *	10/2007	Victor .....	D13/147
D466,867	S *	12/2002	Krobusek .....	D13/137.4	7,278,874	B2 *	10/2007	Reid .....	439/367
D479,826	S *	9/2003	Verfuerth et al. ....	D13/146					

\* cited by examiner

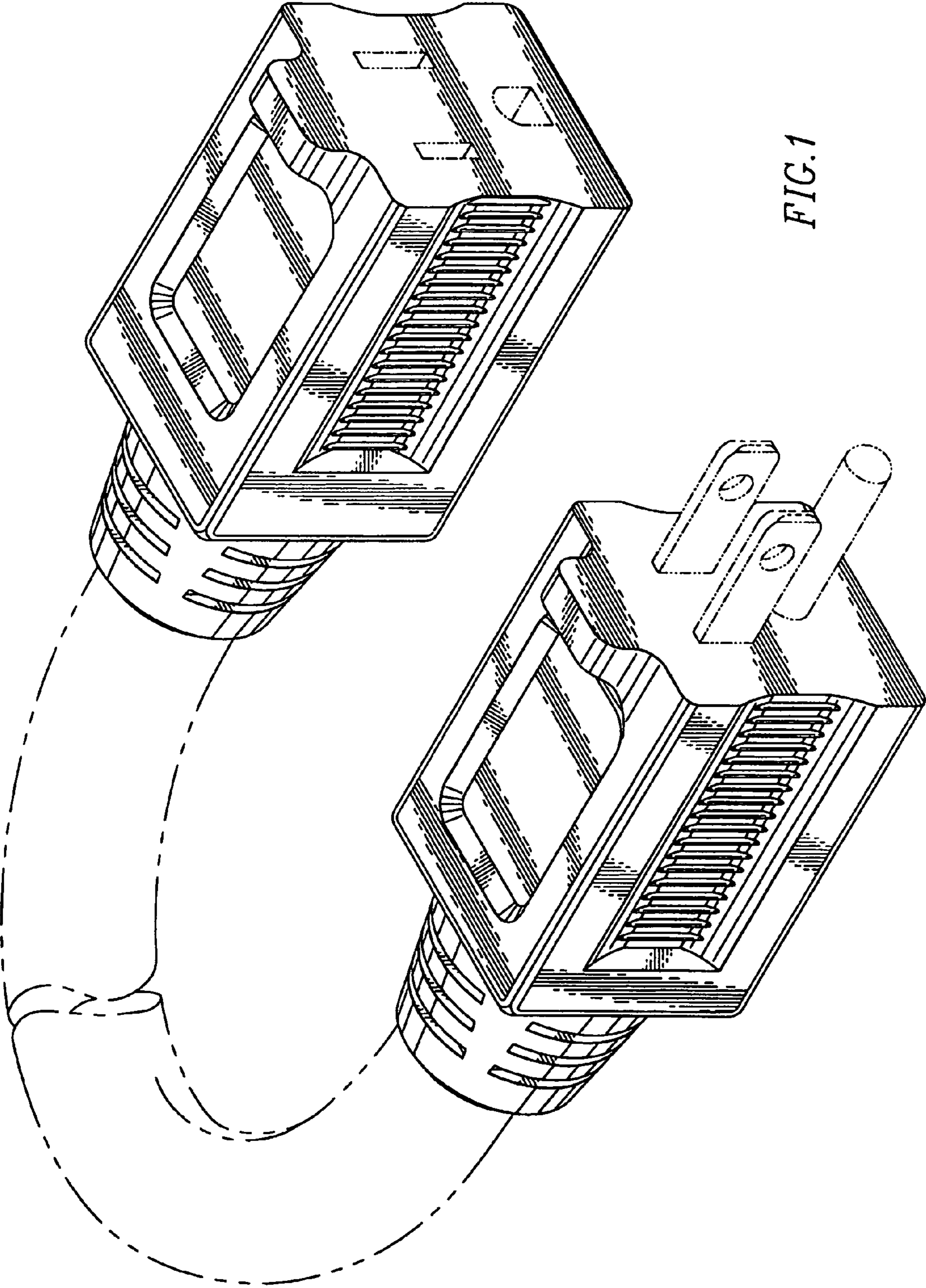


FIG. 1

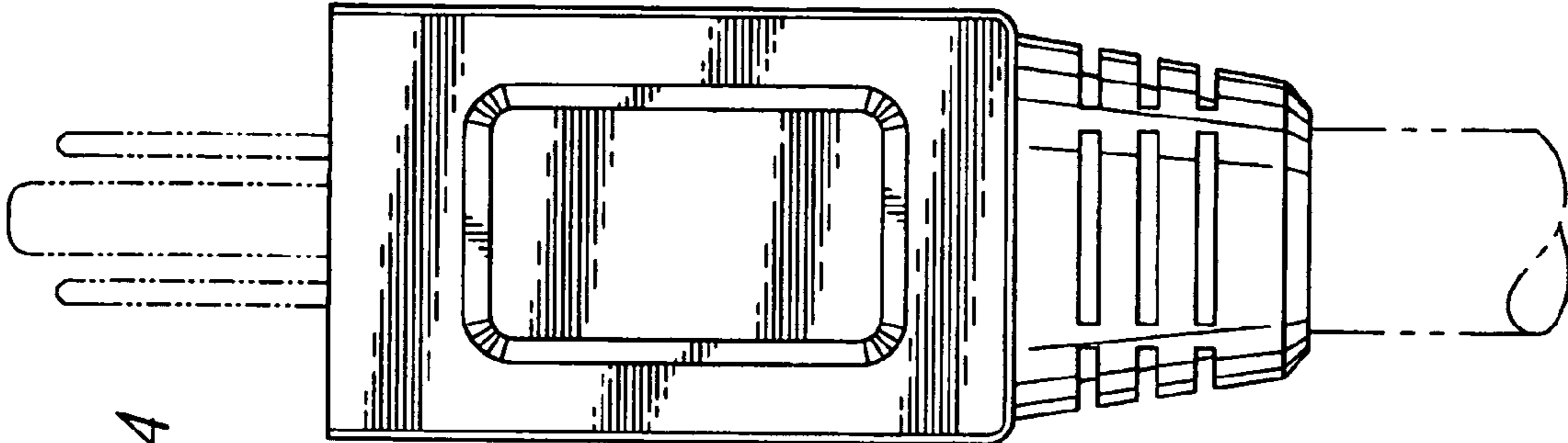


FIG. 2

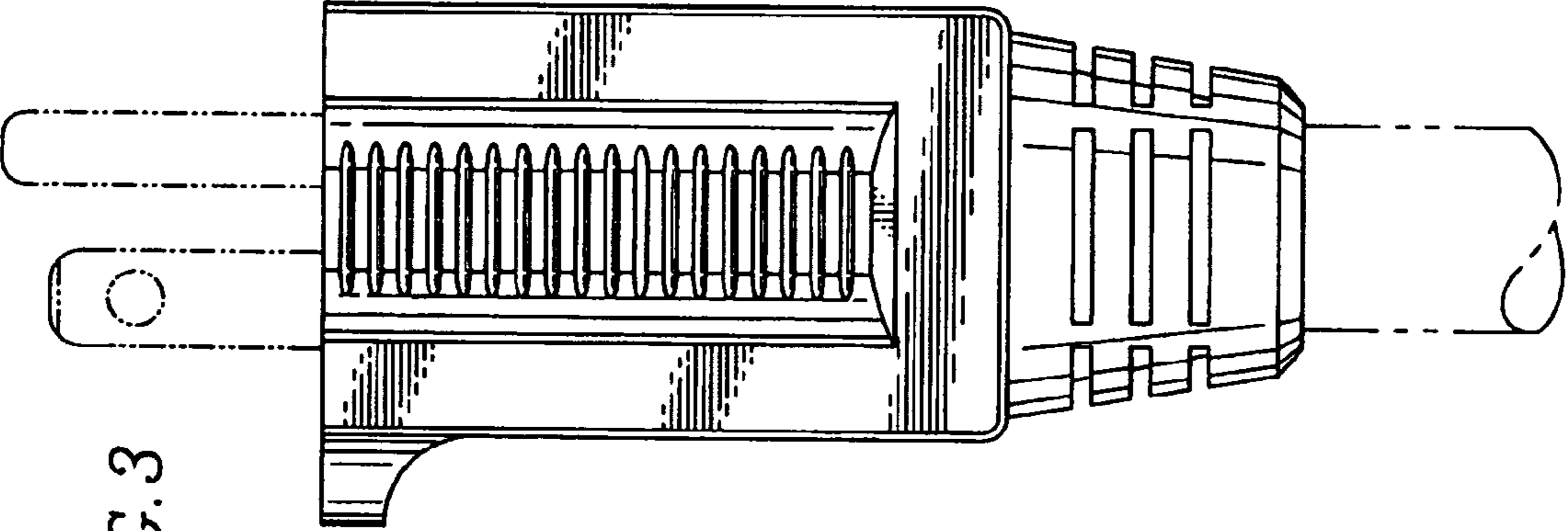


FIG. 3

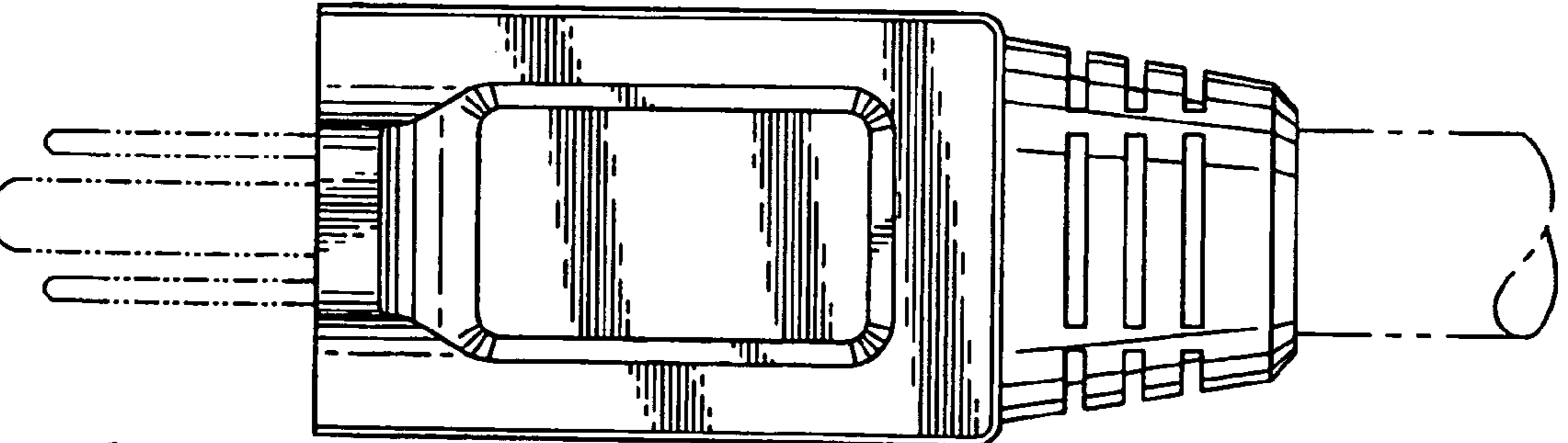


FIG. 4

FIG. 6

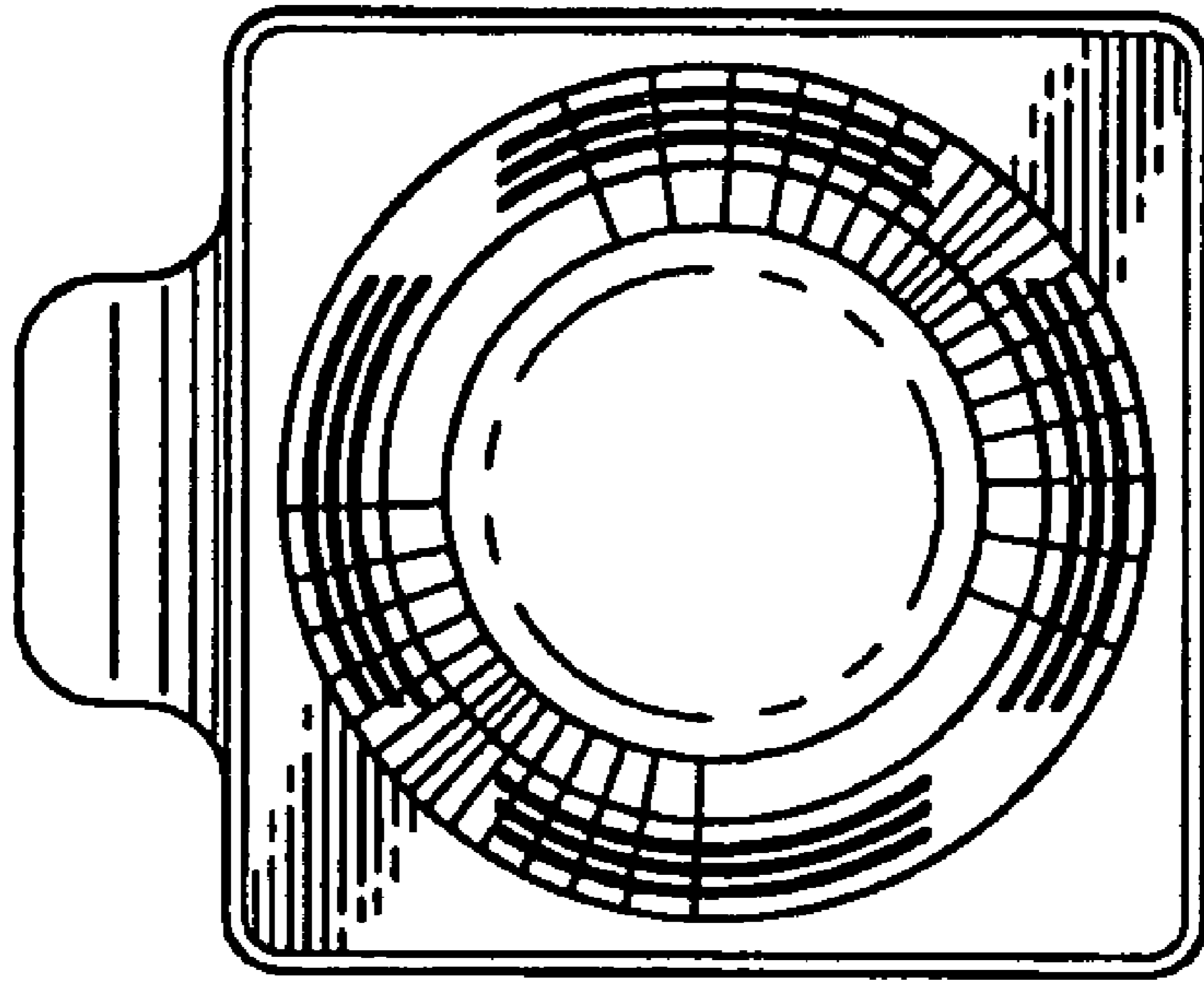


FIG. 5

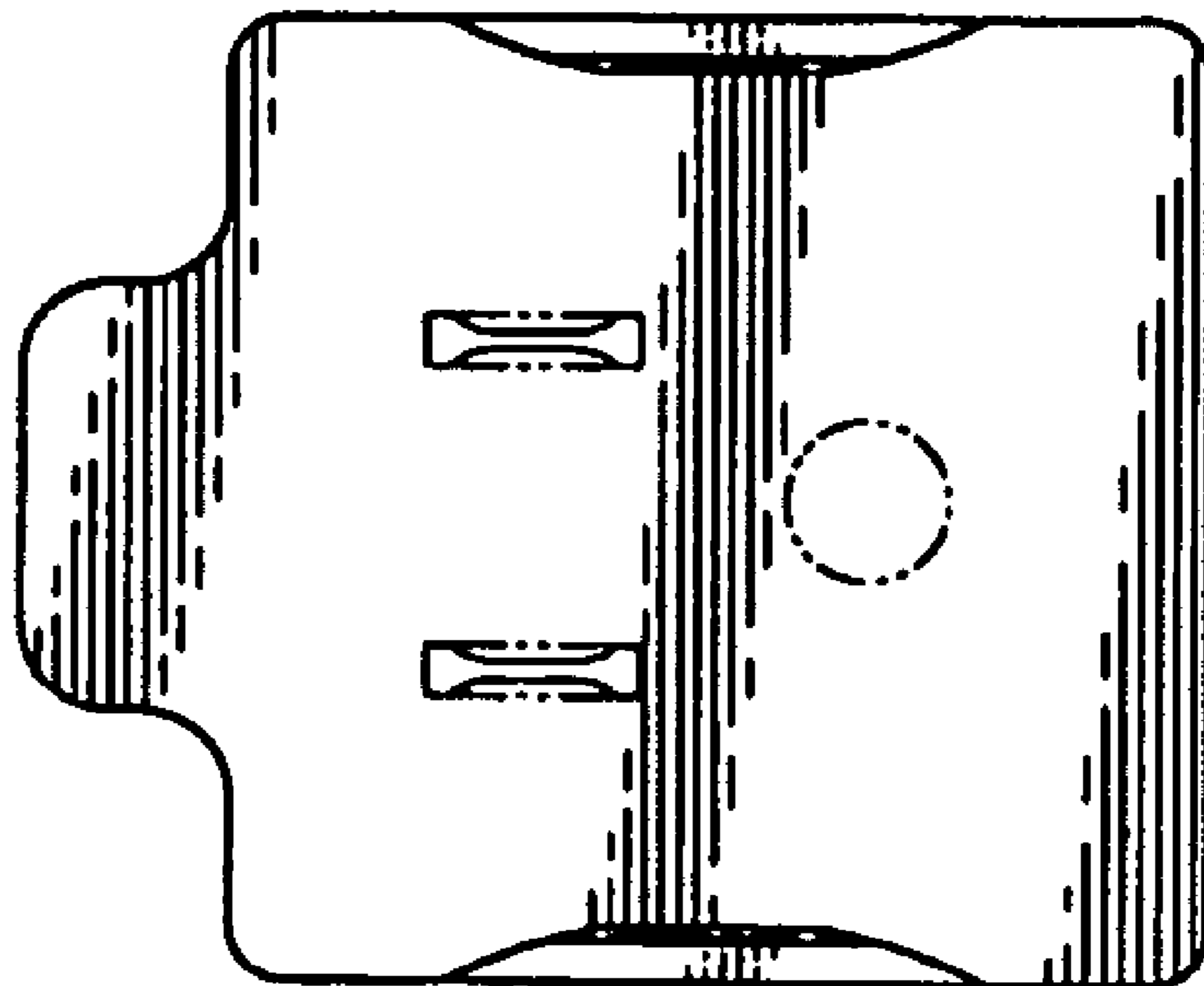


FIG. 9

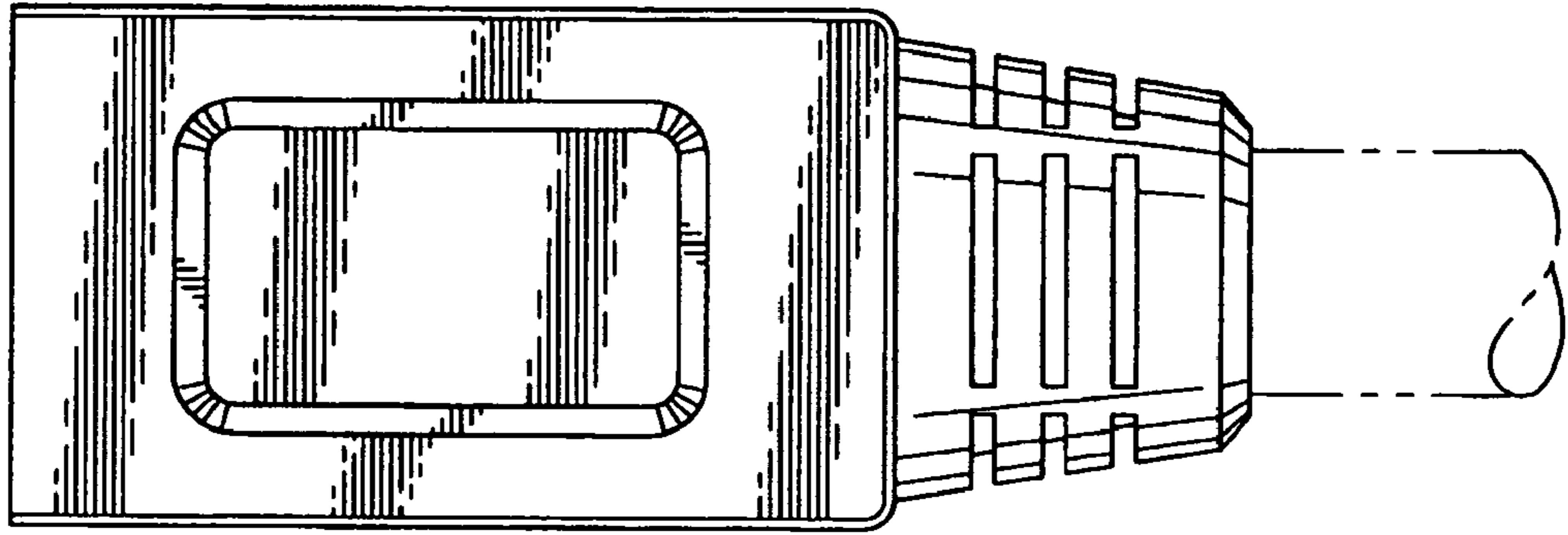


FIG. 8

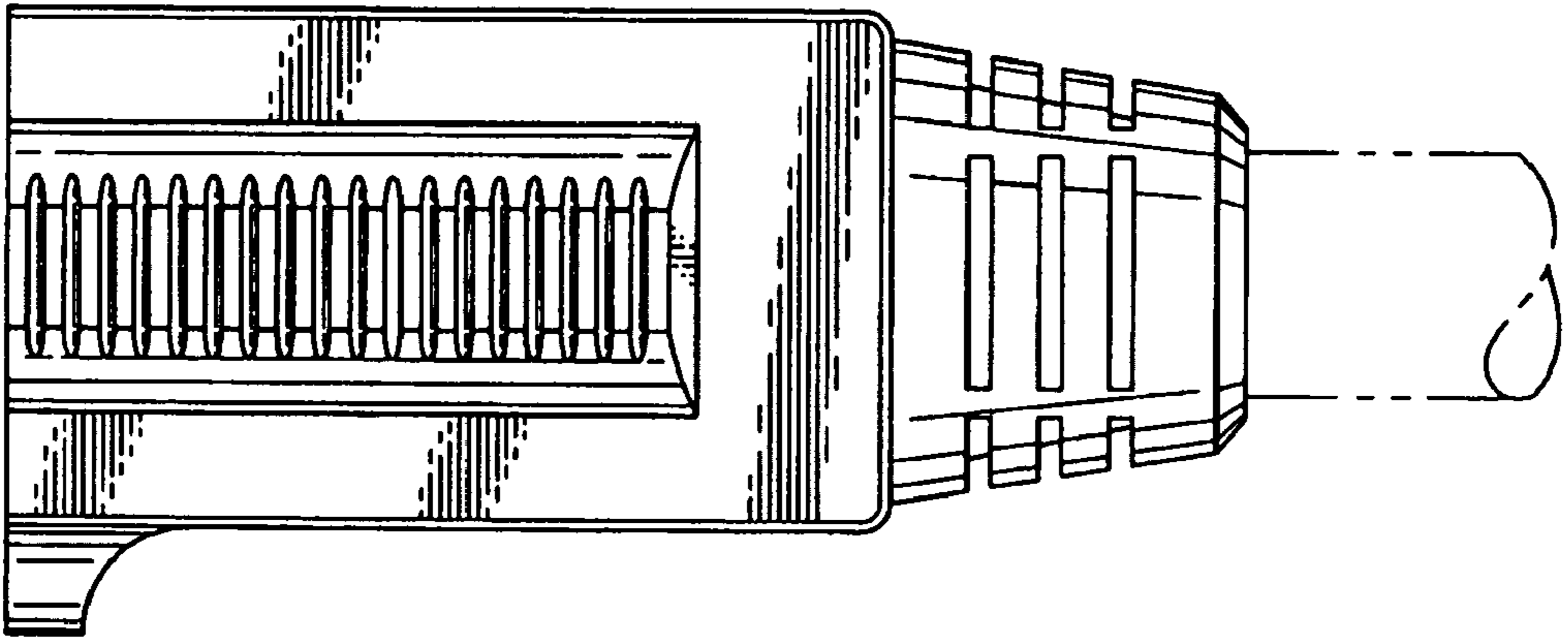


FIG. 7

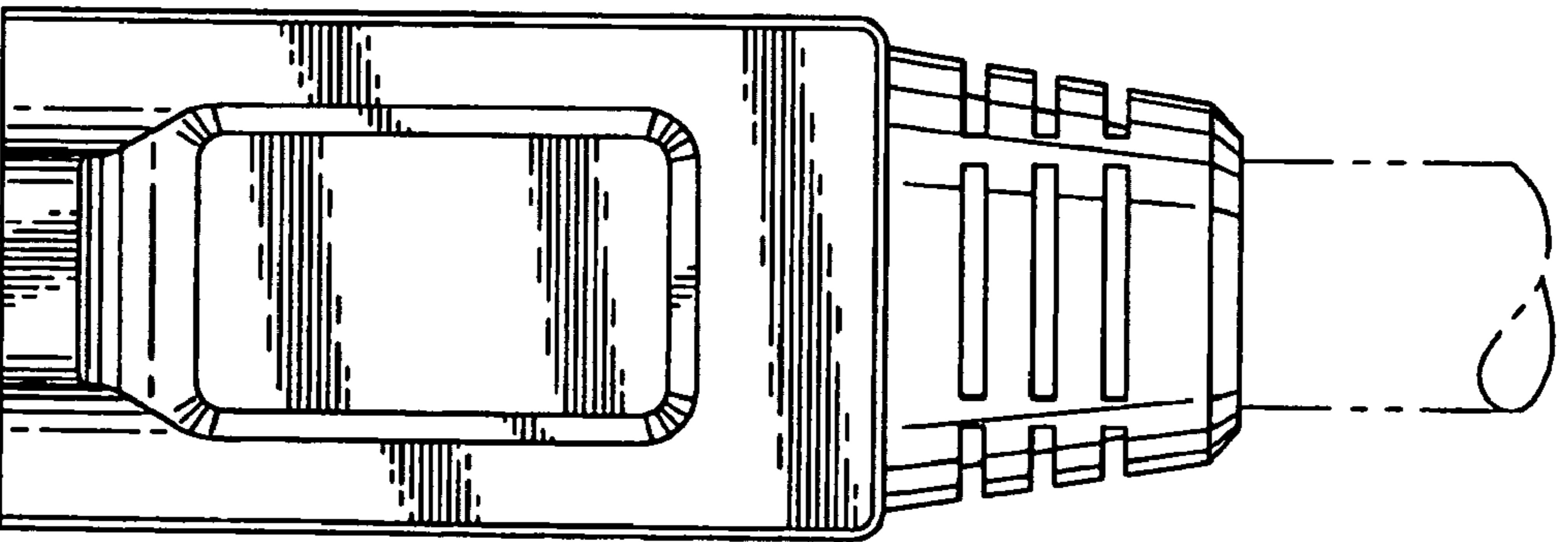


FIG. 11

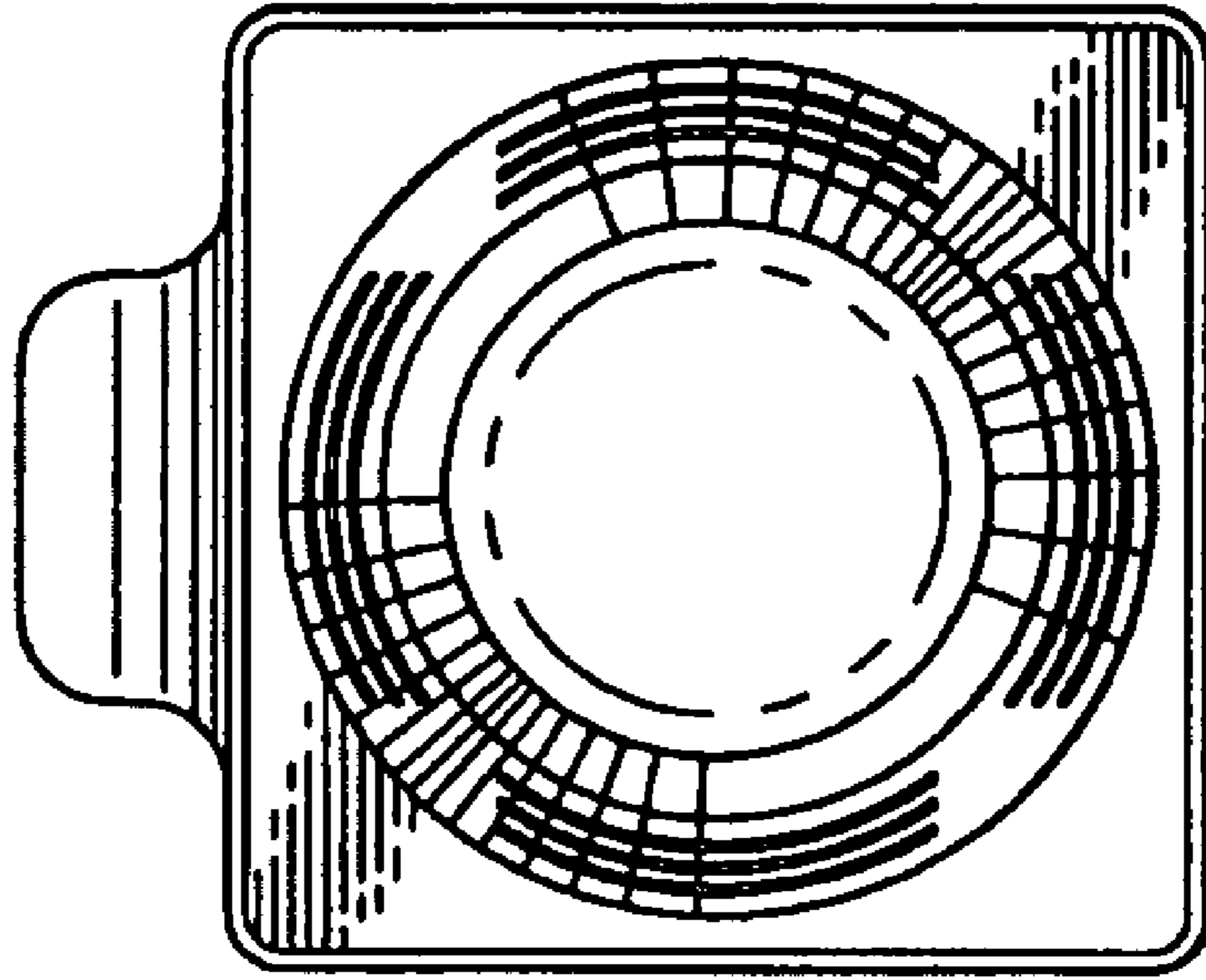


FIG. 10

