



US00D591679S

(12) **United States Design Patent**
Zenk

(10) **Patent No.:** **US D591,679 S**

(45) **Date of Patent:** **** May 5, 2009**

(54) **CABLE END CONNECTION**

2004/0018042 A1 1/2004 Smith

(75) Inventor: **Petra Zenk**, Landsberg (DE)

FOREIGN PATENT DOCUMENTS

(73) Assignee: **Pfeifer Holding GmbH & Co. KG**,
Memmingen (DE)

DE	93 00 483.4	7/1993
DE	297 05 766	10/1997
DE	297 15 979	1/1998
DE	197 08 029	9/1998
EP	0 672 844	9/1995
EP	0 785 374	7/1997
EP	0 978 666	2/2000

(**) Term: **14 Years**

(21) Appl. No.: **29/323,394**

(22) Filed: **Aug. 25, 2008**

OTHER PUBLICATIONS

Related U.S. Application Data

(62) Division of application No. 29/271,931, filed on Jan. 30, 2007, now Pat. No. Des. 581,869.

Pfeifer, Cable connector data sheet, 2 pages.
 Bridon Structural Systems, "Swaged Adjustable Fork Socket (SW-AF)" and "Swaged Fork Sockets (SW-F)," data sheet, 2 pages.
 Brugg Seilbautechnik, Gabelkopf, "Open Swaged Socket" and "Turnbuckle with Open Sockets," data sheet, 2 pages.
 Macalloy, Ltd., "520 Bar System" and "Guy Linking Stainless Cable Systems," data sheet, 4 pages.
 Muncy Machine & Tool Company, "Swage Sockets—Open," data sheet, 2 pages.
 Jakob AG, Cable connector data sheet, 1 page.

(30) **Foreign Application Priority Data**

Aug. 8, 2006 (EM) 000579339

Primary Examiner—Daniel D Bui
Assistant Examiner—Thomas J Johannes
 (74) *Attorney, Agent, or Firm*—Wolf, Greenfield & Sacks, P.C.

(51) **LOC (9) Cl.** **13-03**

(52) **U.S. Cl.** **D13/133; D8/356**

(58) **Field of Classification Search** D13/133,
D13/149, 154, 199; 439/452, 883; D8/356;
403/122, 268, 269, 327, 78, 164, 165; 174/85
See application file for complete search history.

(57) **CLAIM**

(56) **References Cited**

The ornamental design for a cable end connection, as shown and described.

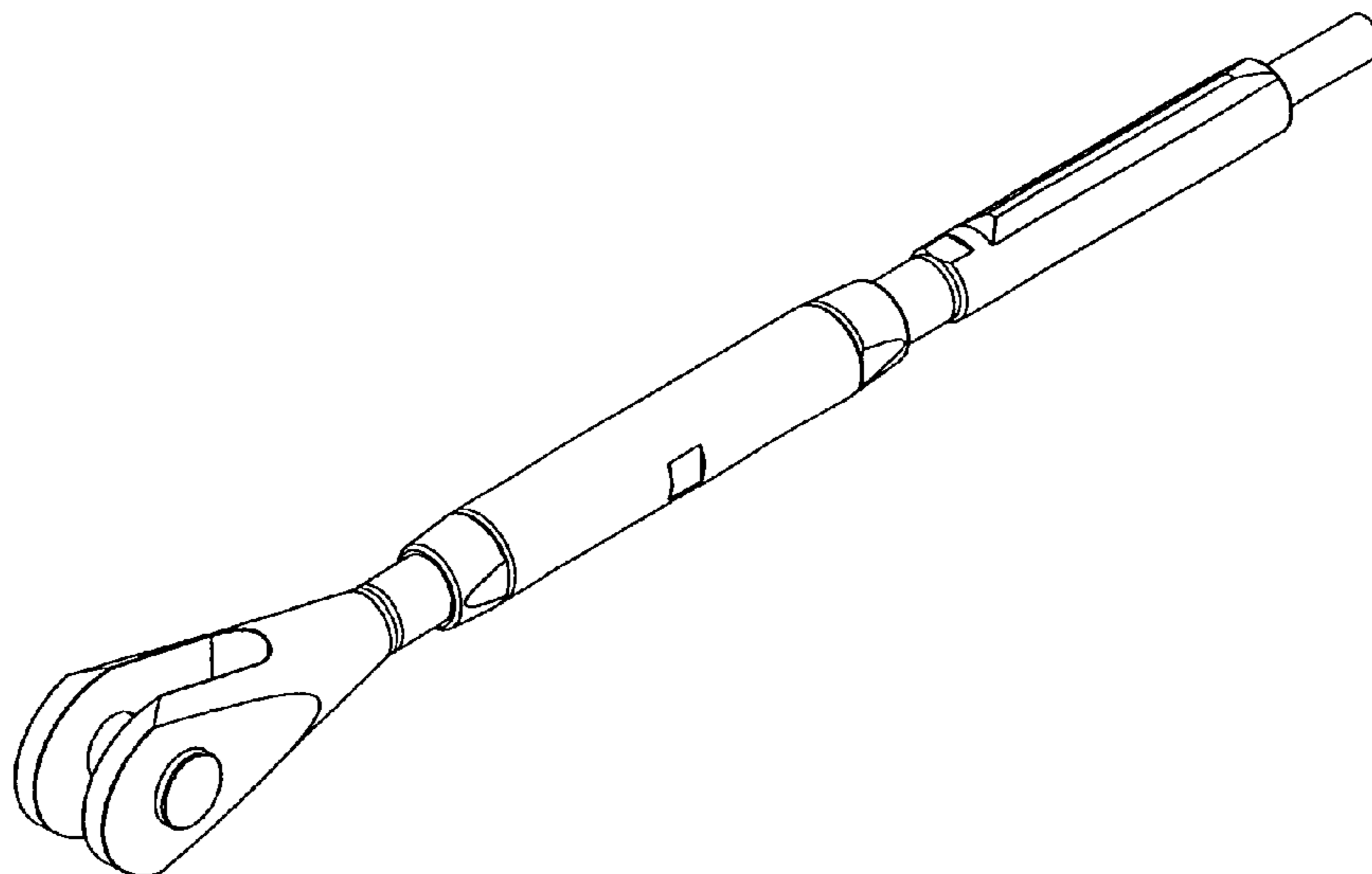
U.S. PATENT DOCUMENTS

DESCRIPTION

1,466,127 A	8/1923	Gottschalt
2,668,280 A	2/1954	Peter
2,775,747 A	12/1956	Reischer et al.
3,825,356 A	7/1974	Crook, Jr.
4,043,690 A	8/1977	Browne
D326,601 S	6/1992	Smith
5,816,732 A	10/1998	Nissen
D423,913 S	5/2000	Dougan
6,338,590 B1	1/2002	Stauske et al.
6,554,524 B1	4/2003	Smith

FIG. 1 is a perspective view of a cable end connection;
 FIG. 2 is a left side view of the cable end connection of FIG. 1;
 FIG. 3 is a right side view of the cable end connection of FIG. 1;
 FIG. 4 is a top view of the cable end connection of FIG. 1; and,
 FIG. 5 is a front view of the cable end connection of FIG. 1.

1 Claim, 1 Drawing Sheet



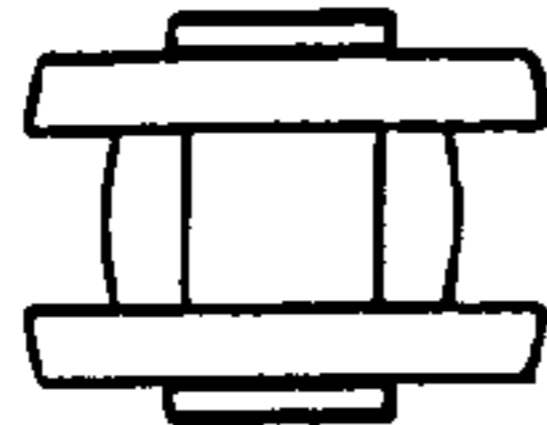


Fig. 5

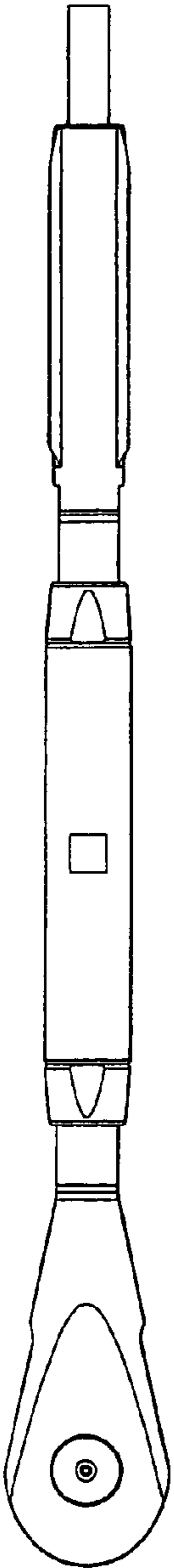


Fig. 2

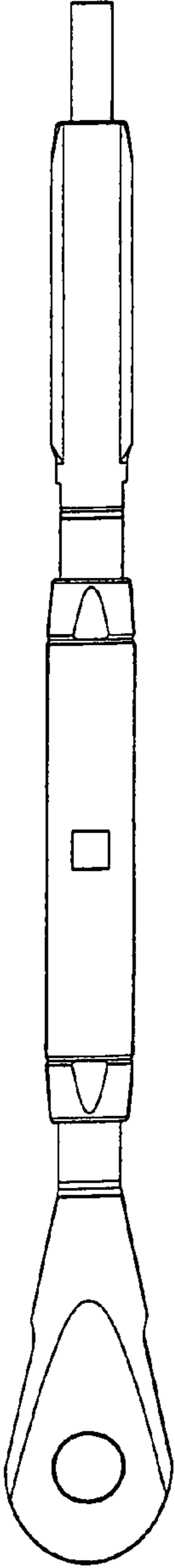


Fig. 3

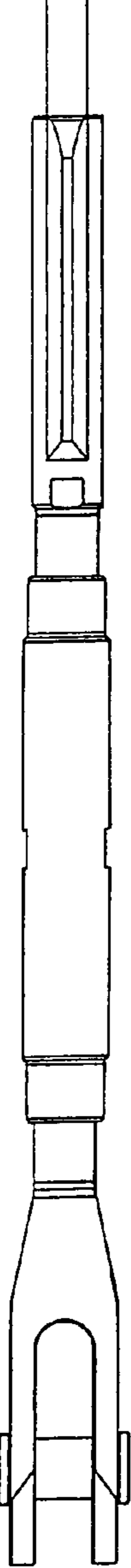


Fig. 4

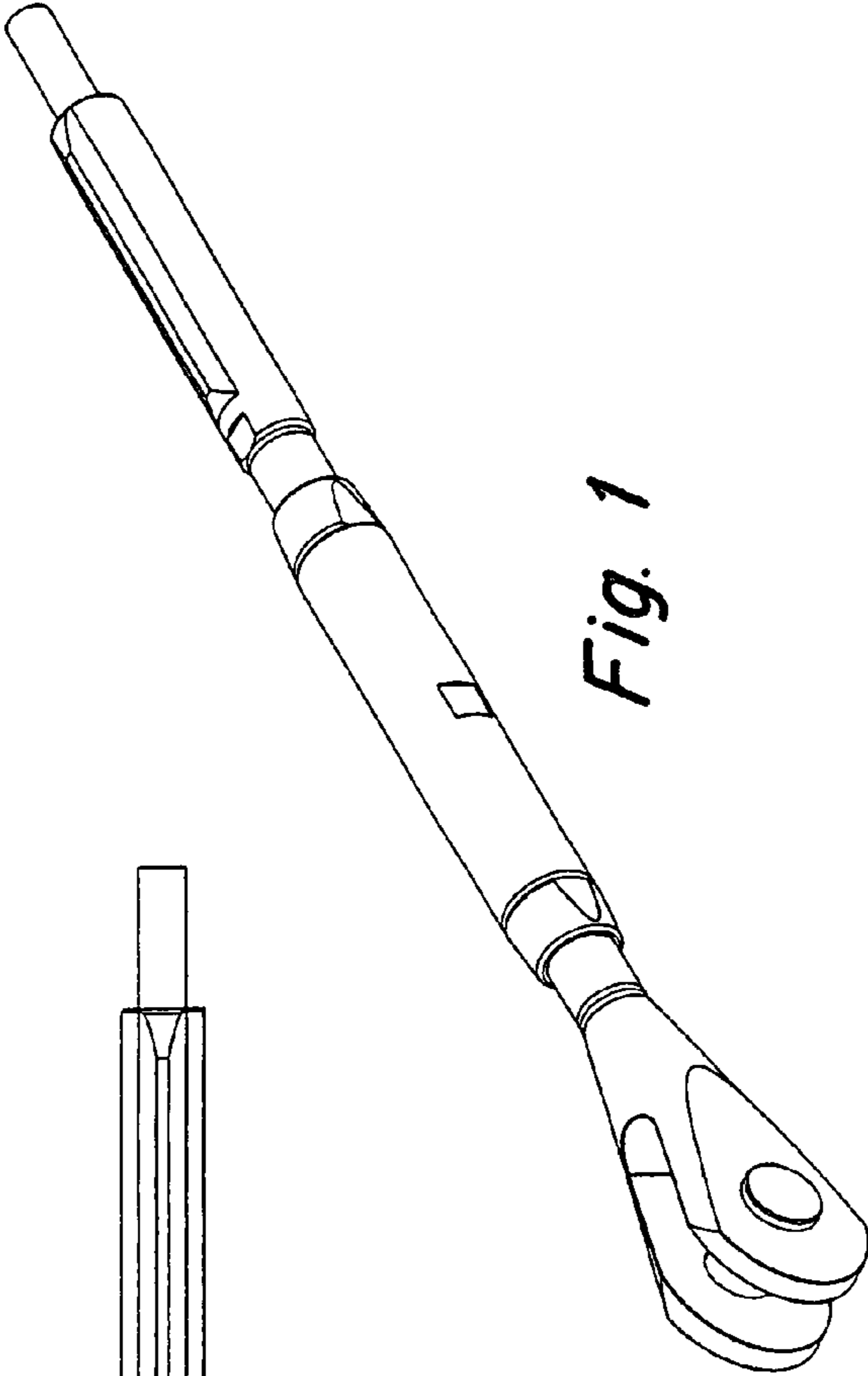


Fig. 1