



US00D591676S

(12) **United States Design Patent**  
**Hung**

(10) **Patent No.:** **US D591,676 S**

(45) **Date of Patent:** **\*\* May 5, 2009**

(54) **BATTERY CONNECTOR**

7,387,541 B1 \* 6/2008 Lai et al. .... 439/660  
7,390,229 B2 \* 6/2008 Huang et al. .... 439/862

(75) Inventor: **Pei Chiao Hung**, Tu-Cheng (TW)

\* cited by examiner

(73) Assignee: **Cheng Uei Precision Industry Co., Ltd.**, Taipei Hsien (TW)

*Primary Examiner*—Jennifer Rivard

*Assistant Examiner*—Rosemary K Tarcza

(\*\*) Term: **14 Years**

(74) *Attorney, Agent, or Firm*—Rosenberg, Klein & Lee

(21) Appl. No.: **29/300,259**

(57) **CLAIM**

(22) Filed: **Mar. 6, 2008**

The ornamental design for a battery connector, as shown and described.

(51) **LOC (9) Cl.** ..... **13-02**

(52) **U.S. Cl.** ..... **D13/120**

(58) **Field of Classification Search** ..... D13/120,  
D13/133, 146–147, 184, 199; 439/108, 577,  
439/630, 660, 680, 773, 862

See application file for complete search history.

**DESCRIPTION**

(56) **References Cited**

**U.S. PATENT DOCUMENTS**

6,113,440	A *	9/2000	Fijten et al. ....	439/862
D486,448	S *	2/2004	Watanabe et al. ....	D13/120
6,951,488	B2 *	10/2005	Hsieh .....	439/660
D529,443	S *	10/2006	Chien .....	D13/147
D538,228	S *	3/2007	Wang et al. ....	D13/146
D557,212	S *	12/2007	Huang et al. ....	D13/120
D558,671	S *	1/2008	Chen .....	D13/120
D559,181	S *	1/2008	Yan .....	D13/120
D561,100	S *	2/2008	Hsu et al. ....	D13/120
D562,241	S *	2/2008	Hsu et al. ....	D13/146
D563,322	S *	3/2008	Ma .....	D13/146

FIG. 1 is a perspective view of a battery connector showing my new design;

FIG. 2 is a front elevational view thereof;

FIG. 3 is a rear elevational view thereof;

FIG. 4 is a left side elevational view thereof;

FIG. 5 is a right side elevational view thereof;

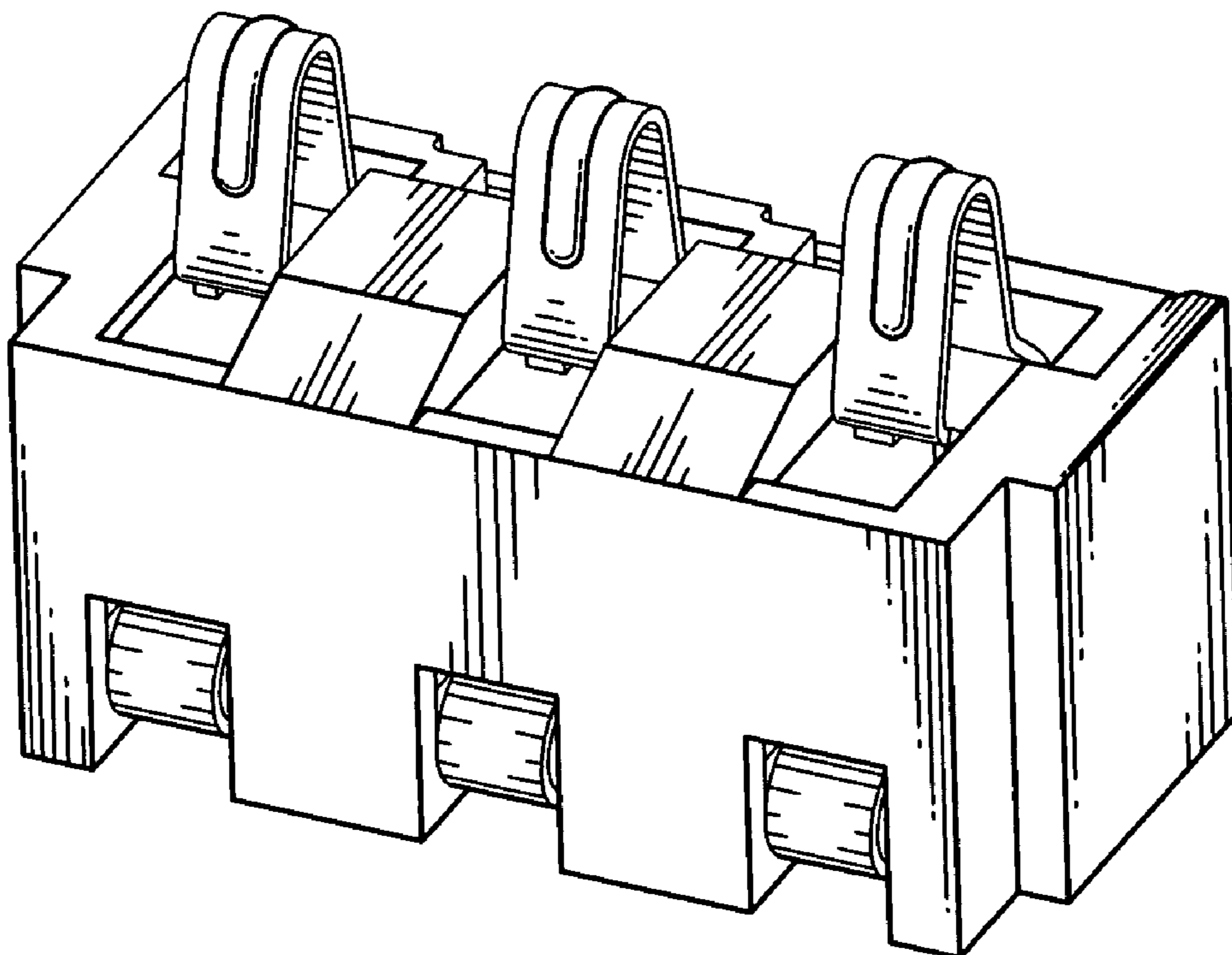
FIG. 6 is a top plan view thereof;

FIG. 7 is a bottom plan view thereof; and,

FIG. 8 is another perspective view of the battery connector showing our new design.

The broken lines shown in the drawings are included for the purpose of illustrating environmental structure and forms no part of the claimed design.

**1 Claim, 8 Drawing Sheets**



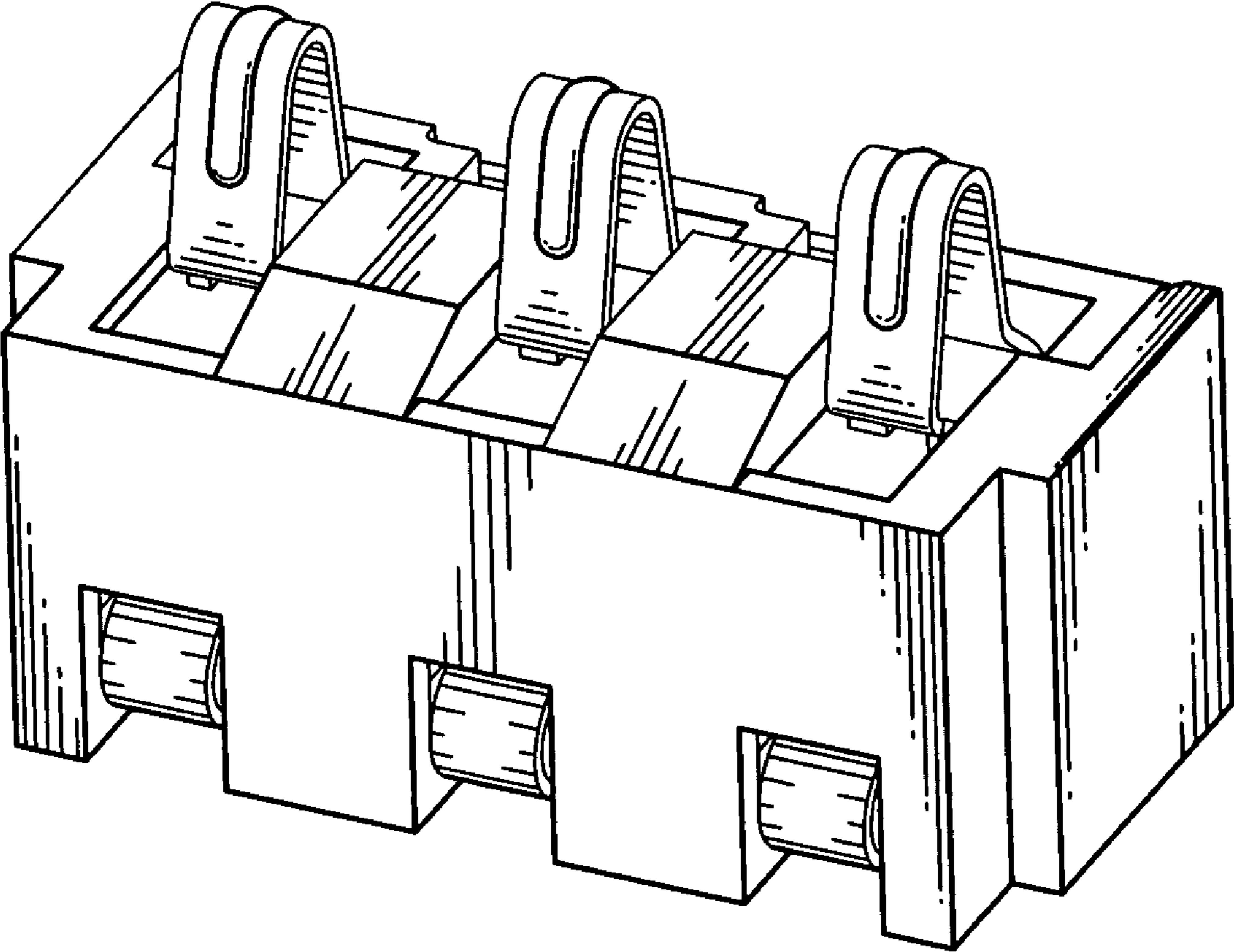


FIG. 1

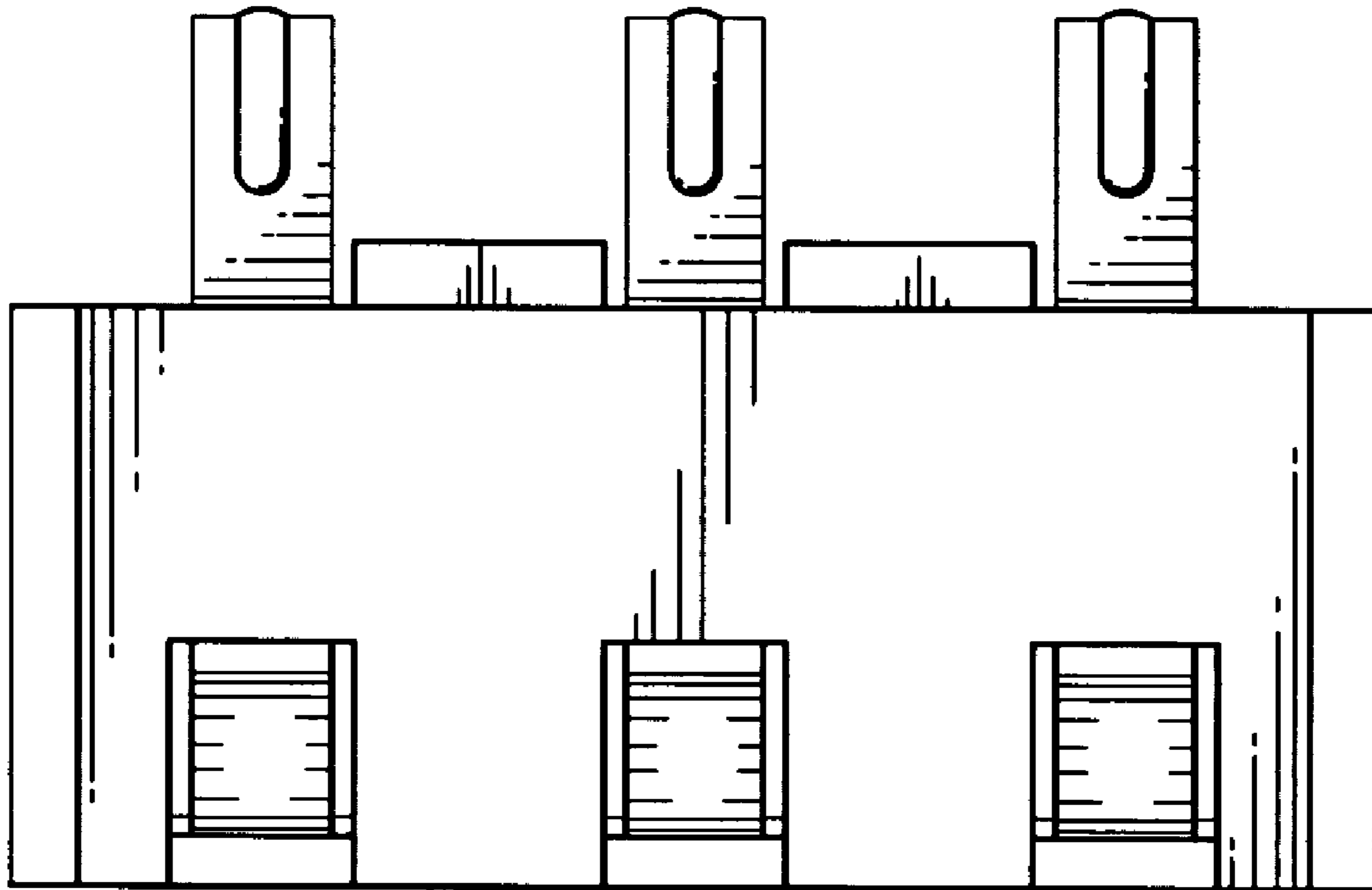


FIG. 2

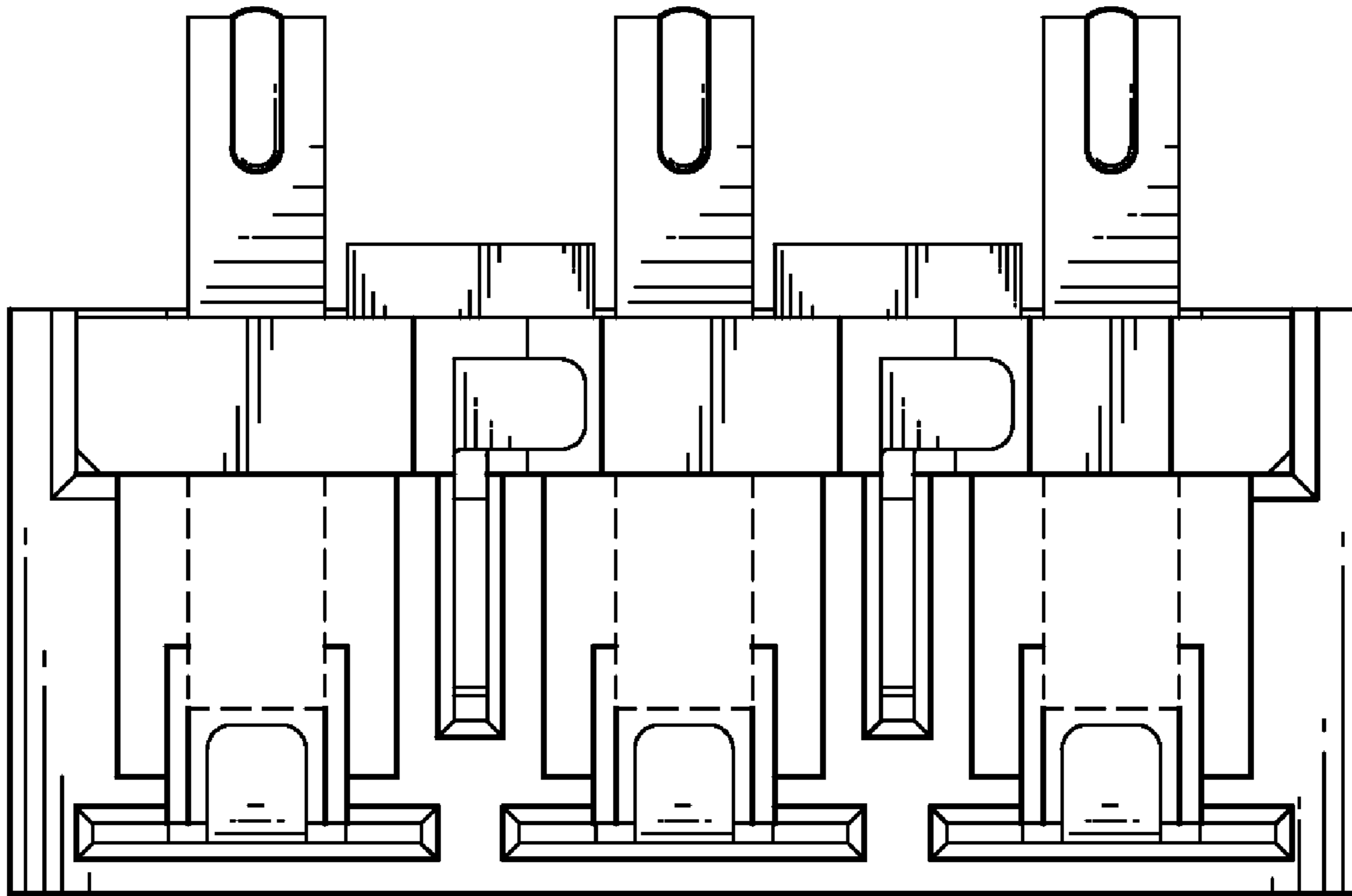


FIG. 3

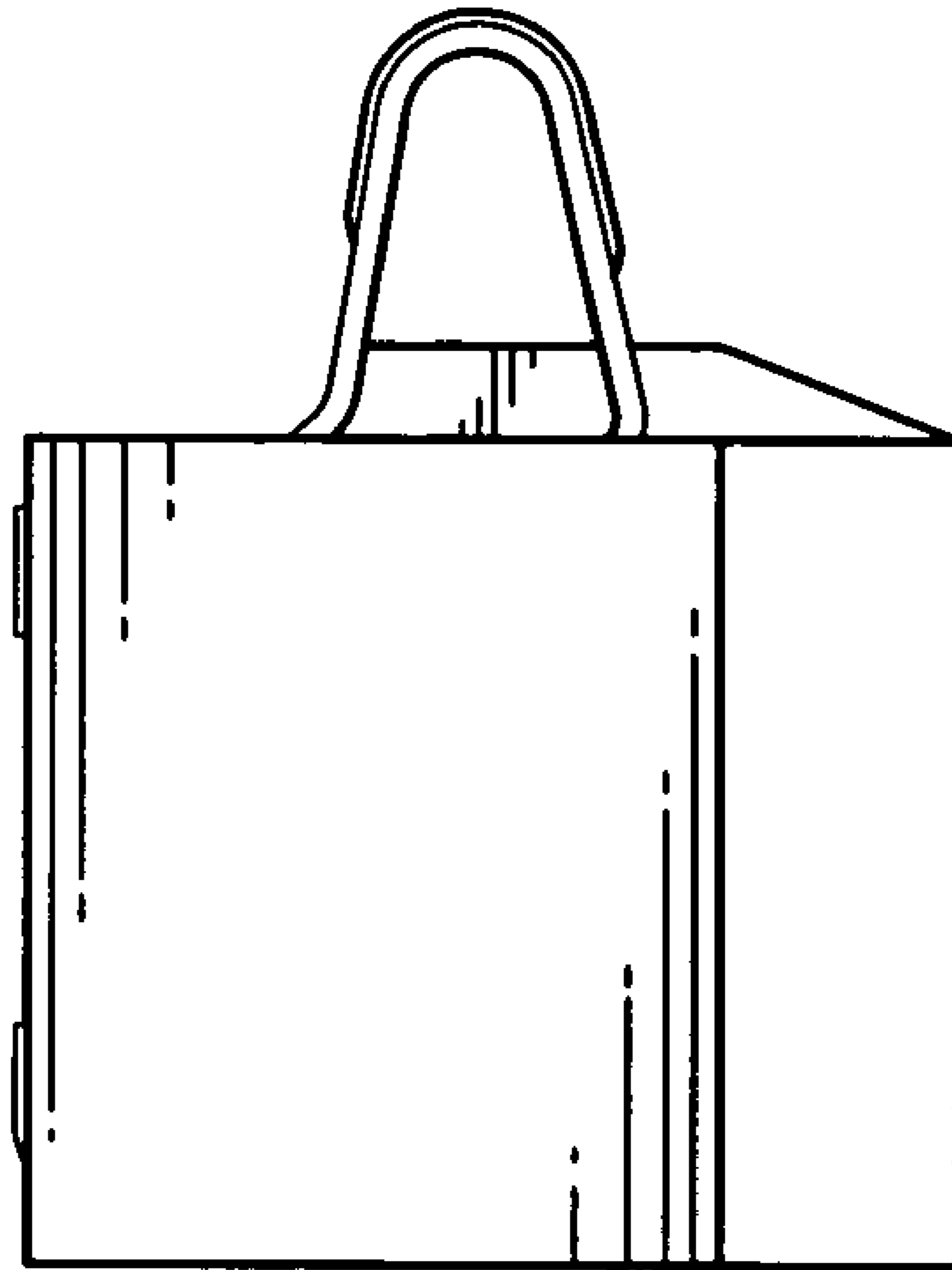


FIG. 4

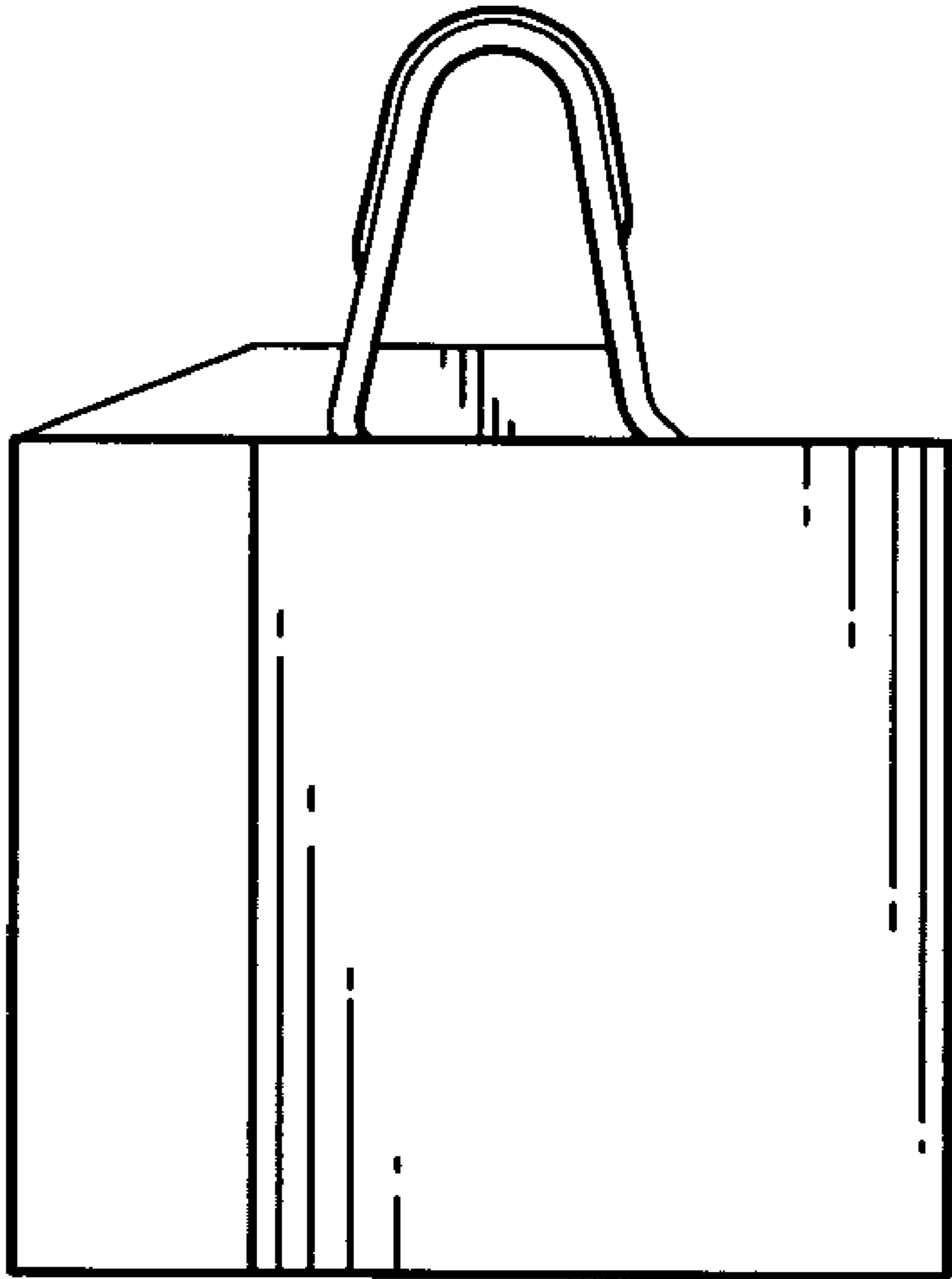


FIG. 5

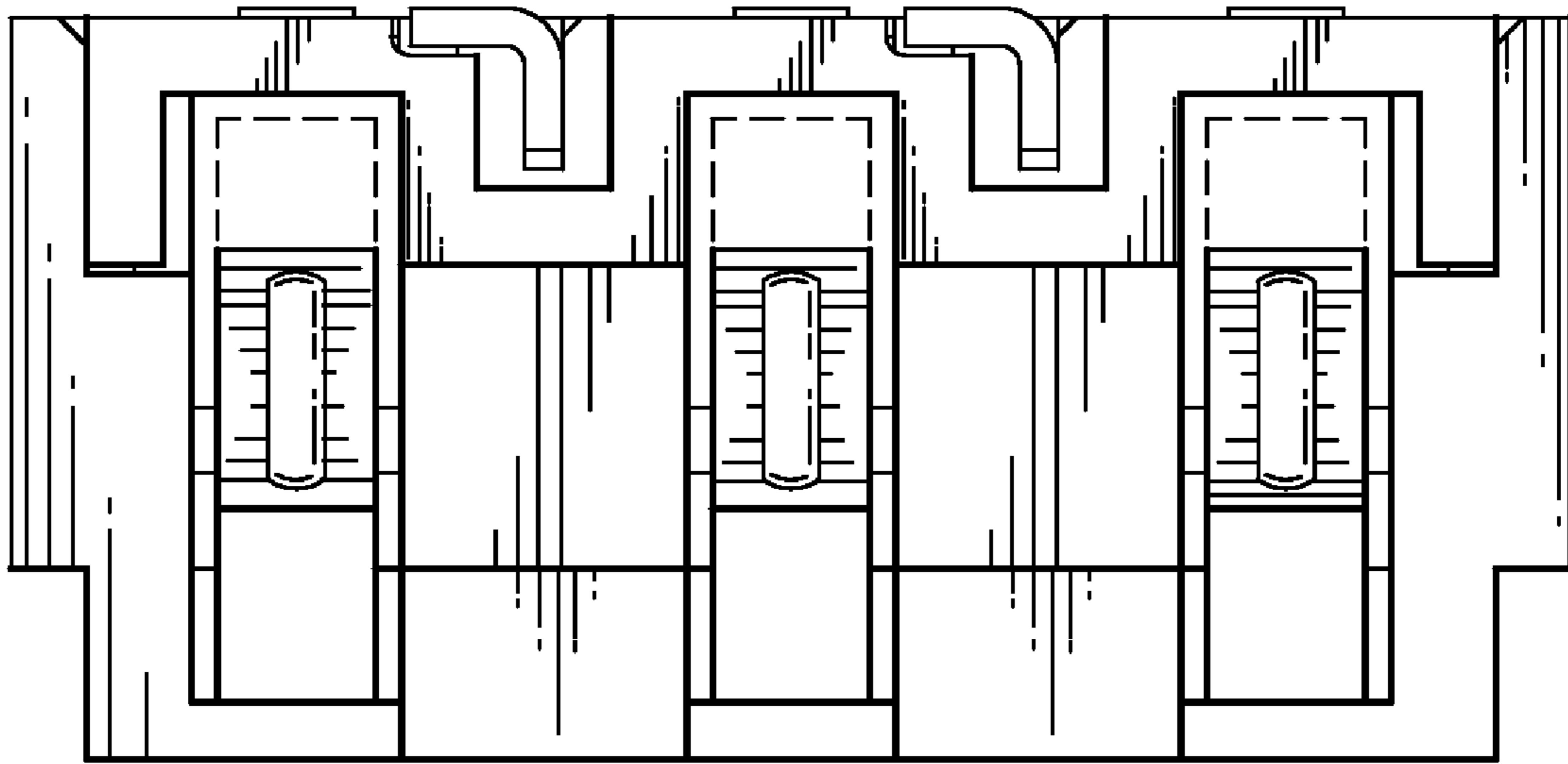


FIG. 6

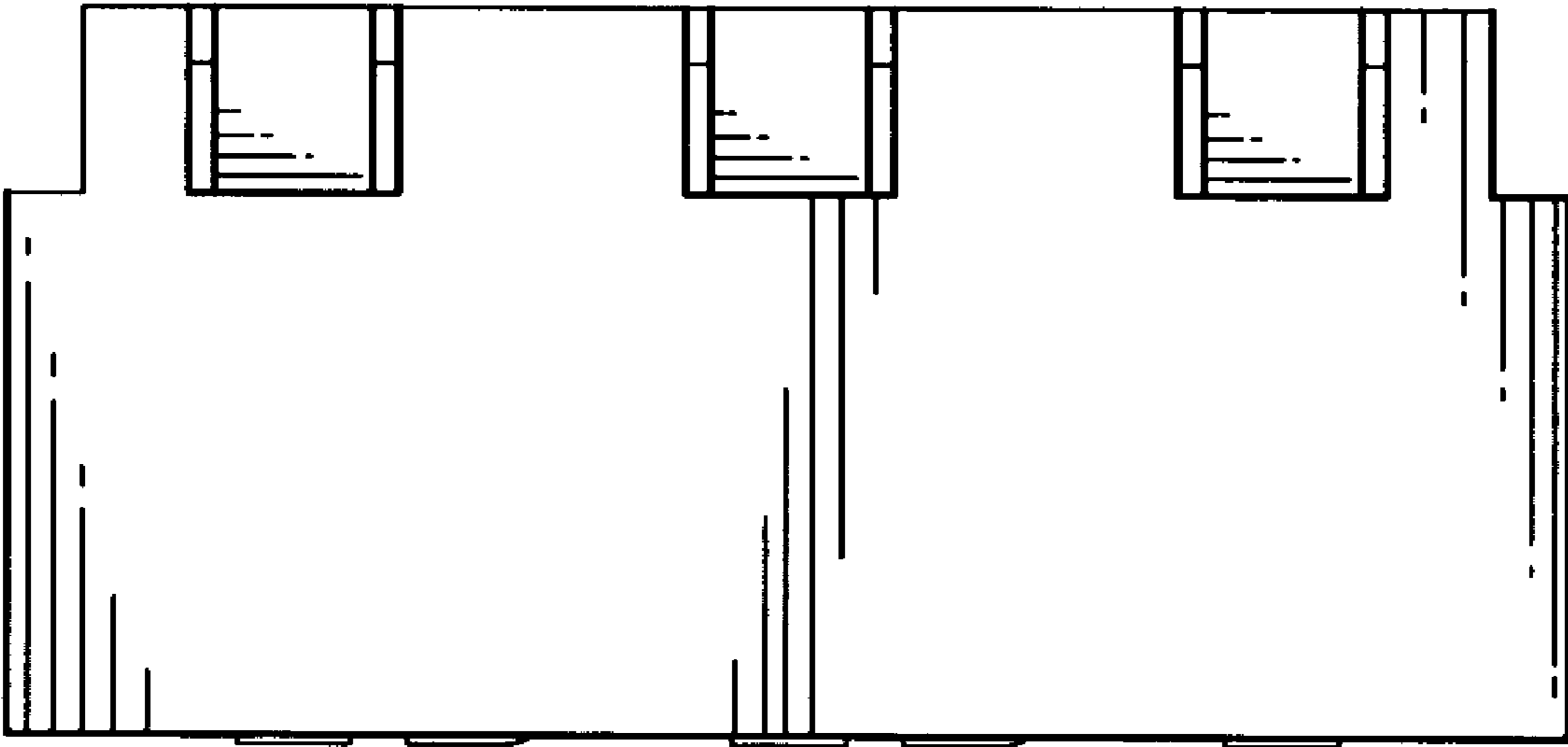


FIG. 7



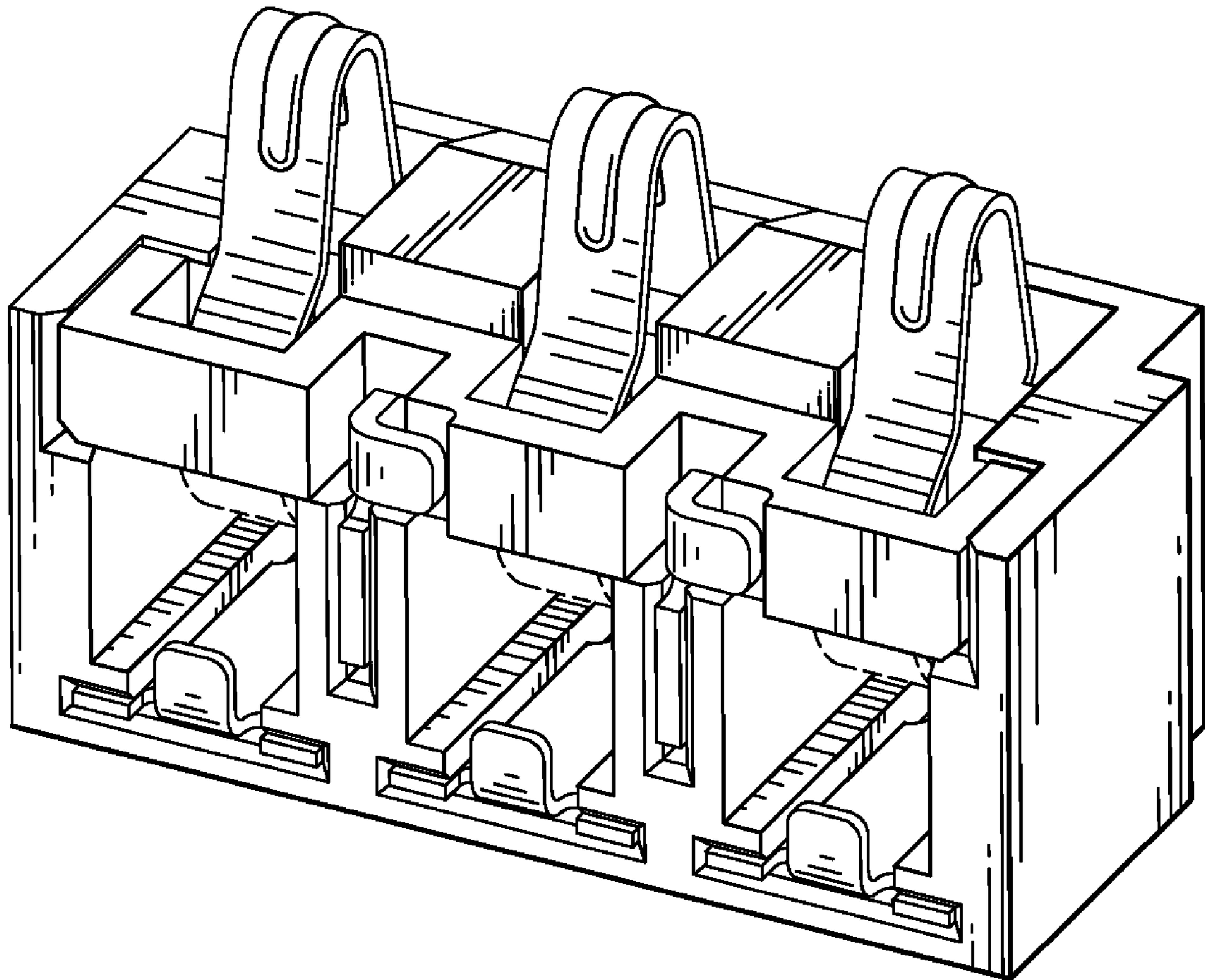


FIG. 8