



US00D591669S

(12) **United States Design Patent**
Valeri

(10) **Patent No.:** **US D591,669 S**

(45) **Date of Patent:** **** May 5, 2009**

(54) **DECORATIVE KIT FOR VEHICLES**

(76) **Inventor:** **Sue E. Valeri**, 283 Harrison Ave.,
Harrison, NY (US) 10528

(**) **Term:** **14 Years**

(21) **Appl. No.:** **29/309,553**

(22) **Filed:** **Sep. 2, 2008**

(51) **LOC (9) Cl.** **12-16**

(52) **U.S. Cl.** **D12/400**

(58) **Field of Classification Search** D12/400,
D12/193, 153, 197, 199, 201; D6/300-303,
D6/310-314; 40/200-203, 207-216, 37.1;
D8/305, 397; D29/23 B; D2/250; D34/2 D;
D26/14 F

See application file for complete search history.

(56) **References Cited**

U.S. PATENT DOCUMENTS

4,164,087 A	8/1979	Crownover	
D426,137 S *	6/2000	Ball et al.	D8/305
D492,633 S	7/2004	Wales	
D517,819 S *	3/2006	Zheng	D6/358
D533,239 S *	12/2006	Yang	D21/713
D534,476 S *	1/2007	Valeri	D12/400
D534,478 S *	1/2007	Valeri	D12/400
D539,858 S *	4/2007	Laliberty et al.	D21/713
D550,778 S *	9/2007	Cooper	D21/406

2004/0224805 A1 *	11/2004	Morrison et al.	473/604
2005/0217557 A1	10/2005	Caetano et al.	
2007/0082759 A1 *	4/2007	Burkhardt	473/448
2008/0139348 A1 *	6/2008	Nascimento et al.	473/569

* cited by examiner

Primary Examiner—Caron Veynar

Assistant Examiner—Katrina A Kile

(74) *Attorney, Agent, or Firm*—Richard C. Litman

(57) **CLAIM**

The ornamental design for a decorative kit for vehicles, as shown and described.

DESCRIPTION

FIG. 1 is a front view of a decorative kit for vehicles showing my new design, shown in its position of use;

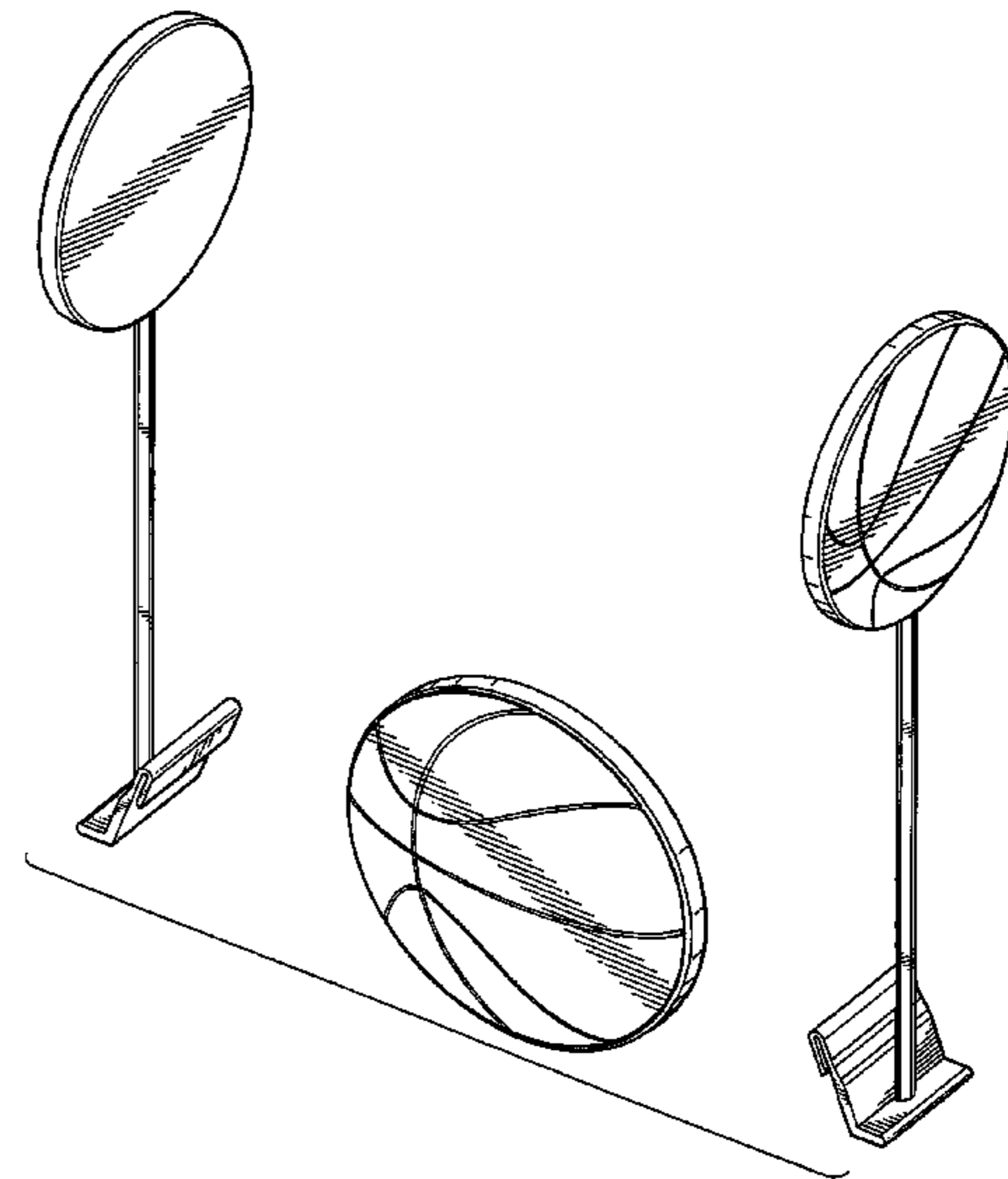
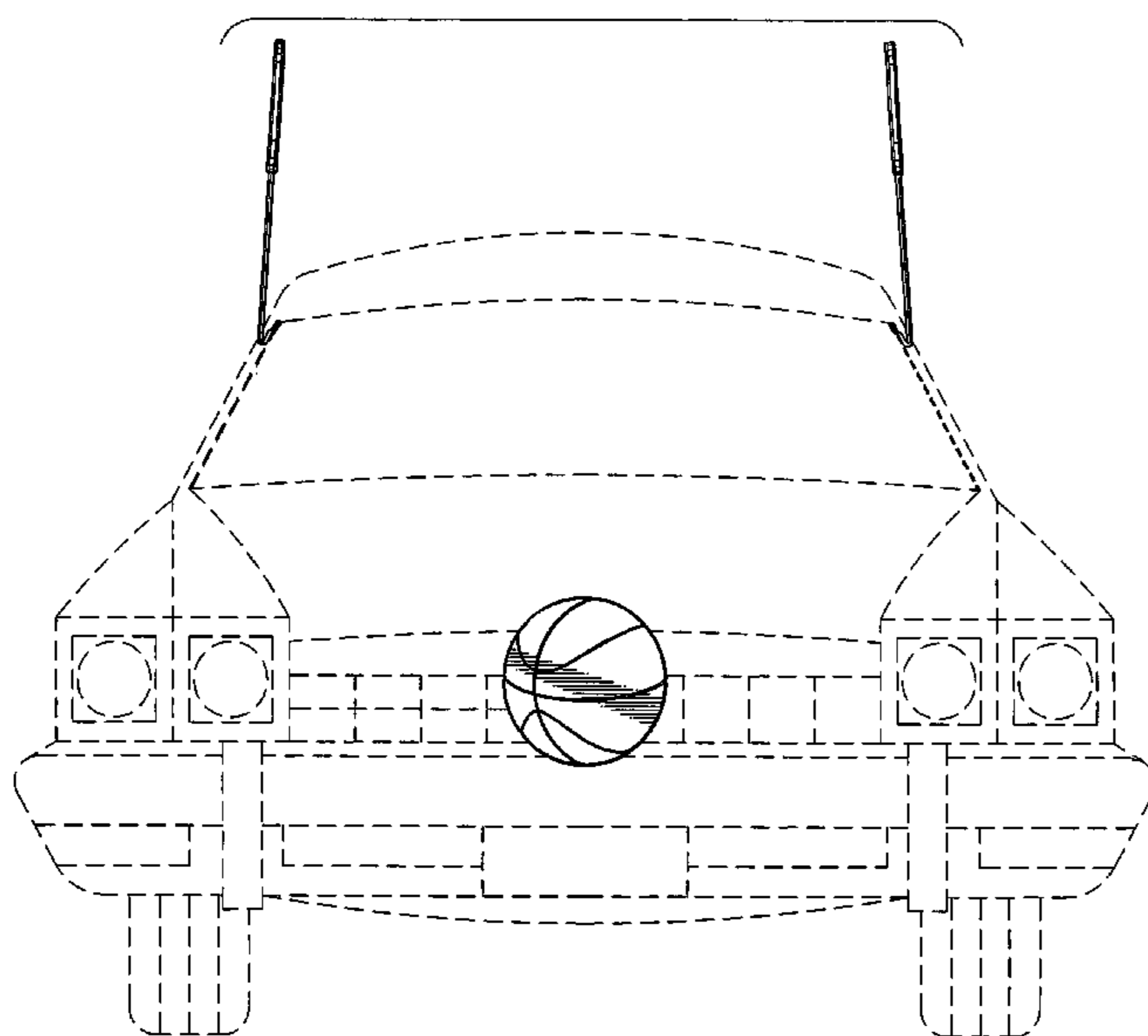
FIG. 2 is an enlarged front perspective view thereof;

FIG. 3 is an enlarged rear perspective view thereof; and,

FIG. 4 is an enlarged top plan view thereof.

The broken line showing of the vehicle in FIG. 1 is for illustrative purposes only and forms no part of the claimed design. The broken line showing of the vehicle attachment means in FIG. 4 is for illustrative purposes only, merely disclosing the types of vehicle attachments that may be used, and forms no part of the claimed design.

1 Claim, 4 Drawing Sheets



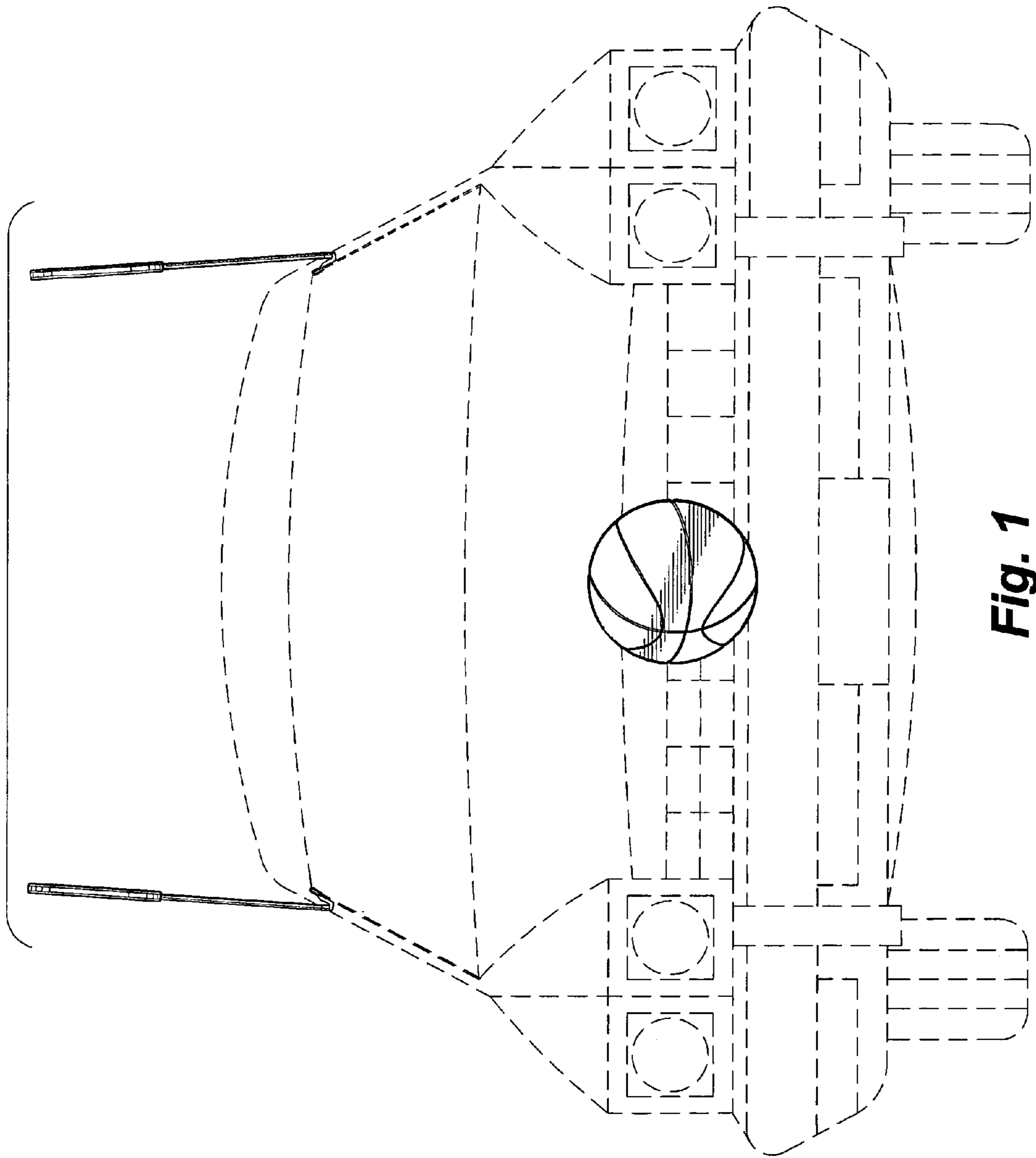


Fig. 1

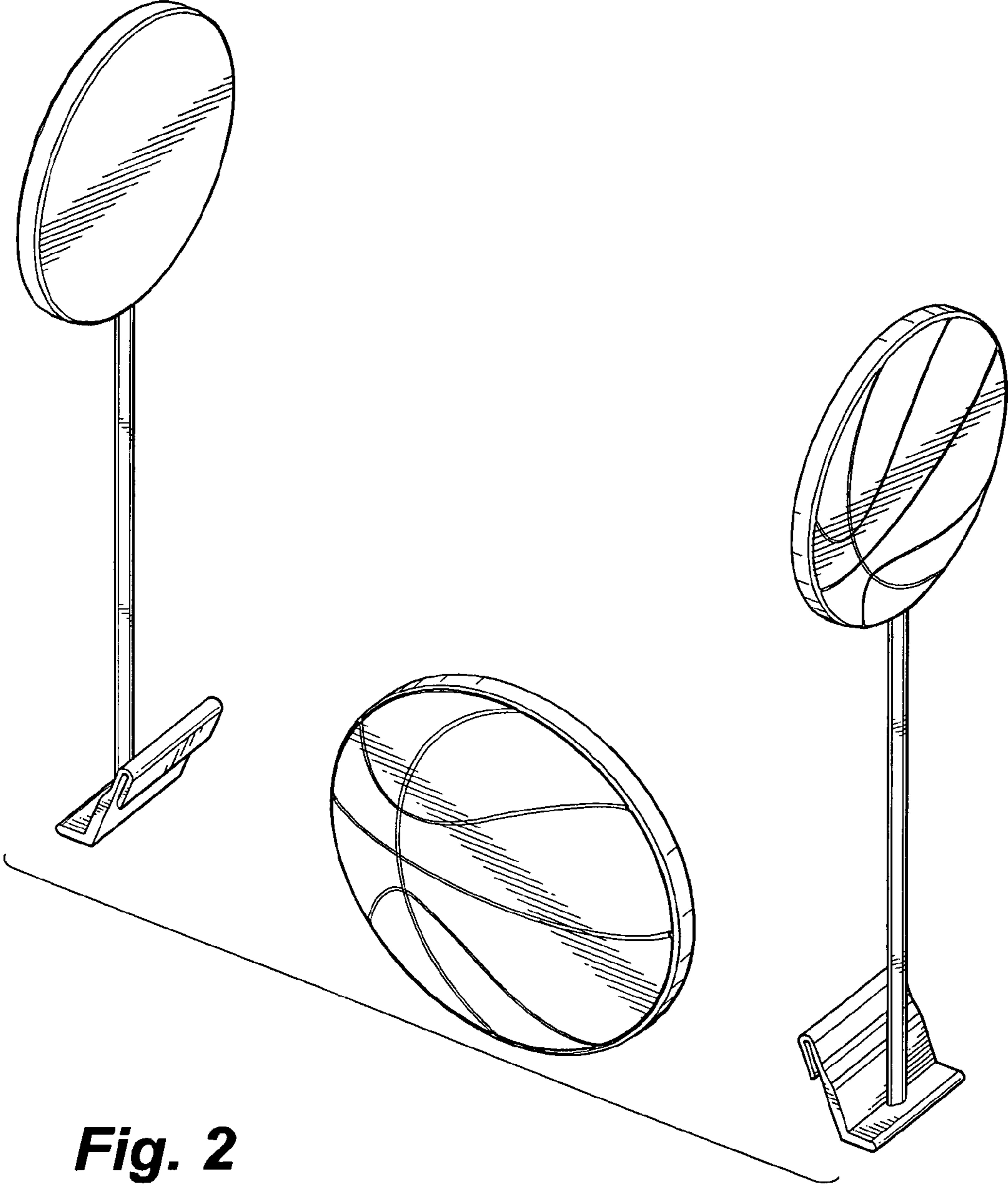


Fig. 2

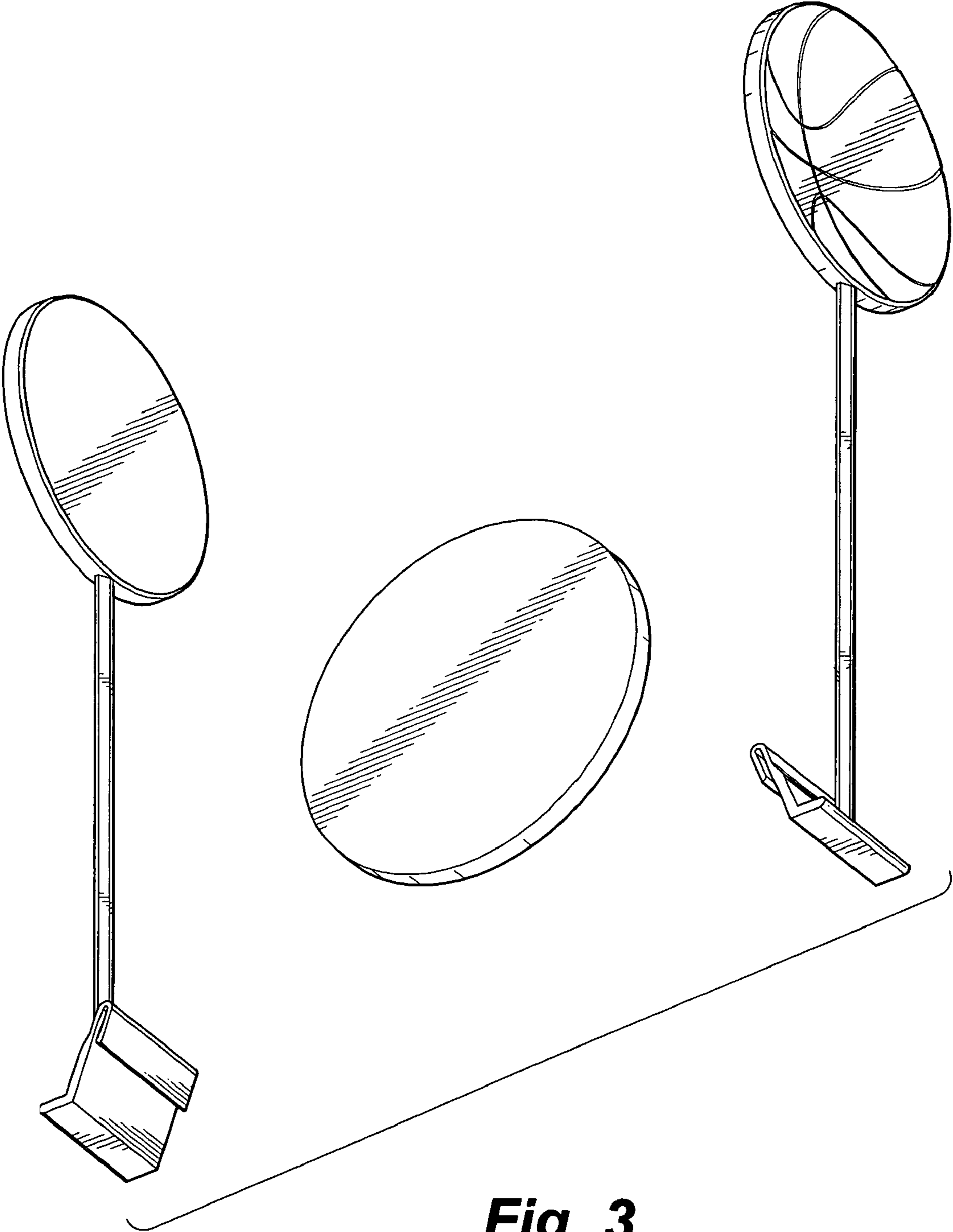


Fig. 3

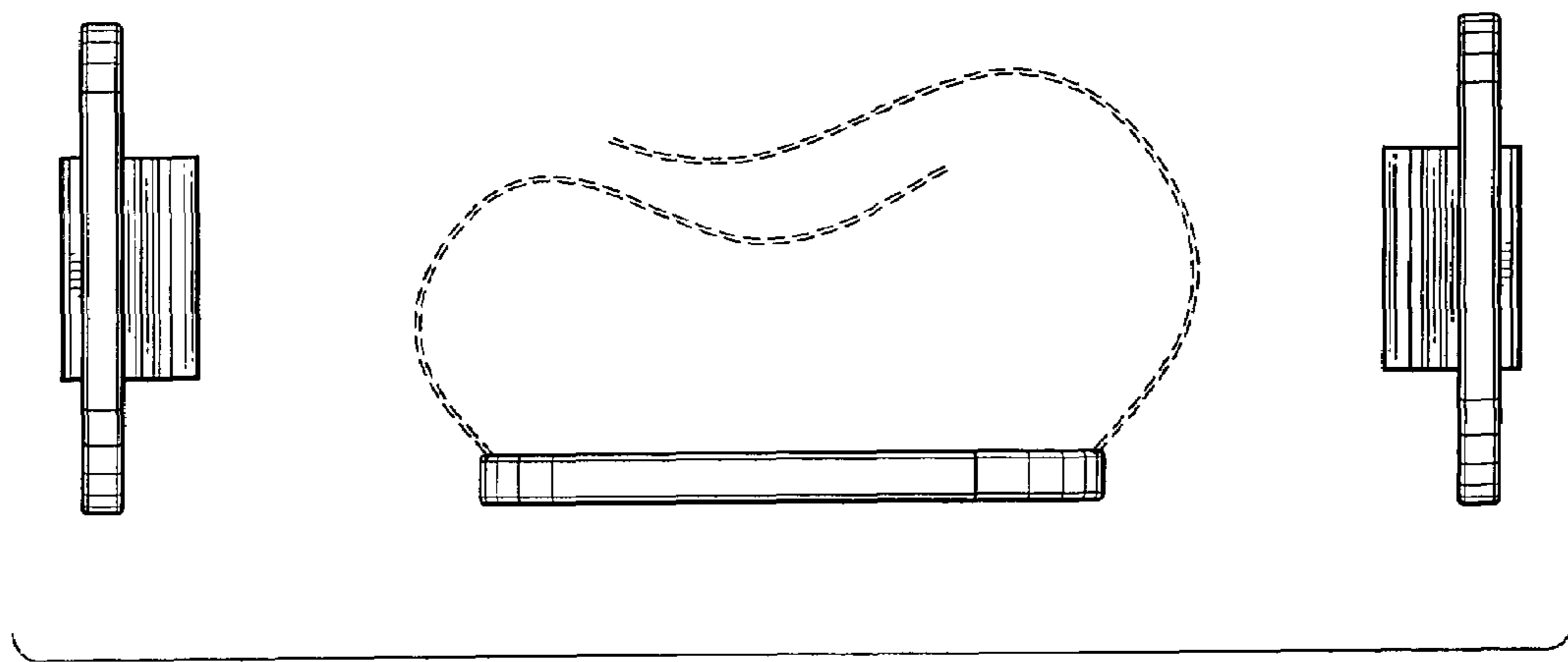


Fig. 4