



US00D591668S

(12) **United States Design Patent**  
**Valeri**

(10) **Patent No.:** **US D591,668 S**

(45) **Date of Patent:** **\*\* May 5, 2009**

(54) **DECORATIVE KIT FOR VEHICLES**

(76) **Inventor:** **Sue E. Valeri**, 283 Harrison Ave.,  
Harrison, NY (US) 10528

(\*\*) **Term:** **14 Years**

(21) **Appl. No.:** **29/309,552**

(22) **Filed:** **Sep. 2, 2008**

(51) **LOC (9) Cl.** ..... **12-16**

(52) **U.S. Cl.** ..... **D12/400**

(58) **Field of Classification Search** ..... D12/400,  
D12/193, 153, 197, 199, 201; D6/300-303,  
D6/310-314; 40/200-203, 207-216, 37.1;  
D8/305, 397; D29/23 B; D2/250; D34/2 D;  
D26/14 F

See application file for complete search history.

(56) **References Cited**

**U.S. PATENT DOCUMENTS**

D261,463	S	*	10/1981	Martin	.....	D6/303
5,836,261	A		11/1998	Sutton		
D404,696	S	*	1/1999	Julian	.....	D12/162
D441,332	S	*	5/2001	McBroom et al.	.....	D12/193
D442,885	S	*	5/2001	Olinger	.....	D11/133
D474,593	S	*	5/2003	Bond et al.	.....	D3/202
D475,380	S	*	6/2003	Kalish	.....	D16/135
6,663,519	B2	*	12/2003	Kuhn et al.	.....	473/597
D492,233	S	*	6/2004	Burden	.....	D12/204
D492,633	S		7/2004	Wales		
D500,424	S	*	1/2005	Long et al.	.....	D6/597

D534,476	S	*	1/2007	Valeri	.....	D12/400
D534,478	S	*	1/2007	Valeri	.....	D12/400
D568,207	S		5/2008	Oakley		
2003/0203778	A1	*	10/2003	Huang	.....	473/598
2005/0217557	A1		10/2005	Caetano et al.		
2008/0194362	A1	*	8/2008	HELMER et al.	.....	473/597

\* cited by examiner

*Primary Examiner*—Caron Veynar

*Assistant Examiner*—Katrina A Kile

(74) *Attorney, Agent, or Firm*—Richard C. Litman

(57) **CLAIM**

The ornamental design for a decorative kit for vehicles, as shown and described.

**DESCRIPTION**

FIG. 1 is a front view of a decorative kit for vehicles showing my new design, shown in its position of use;

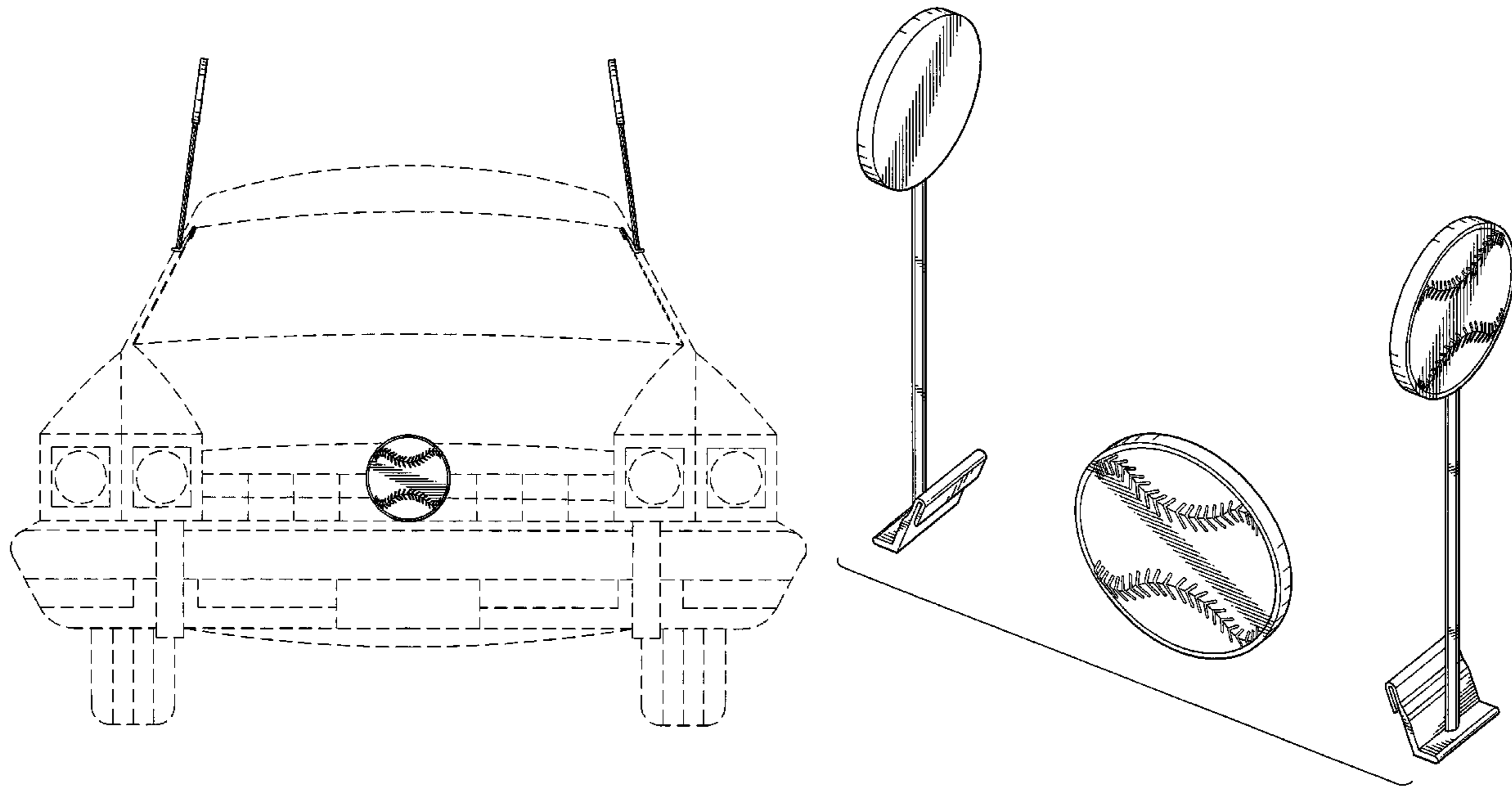
FIG. 2 is an enlarged front perspective view thereof;

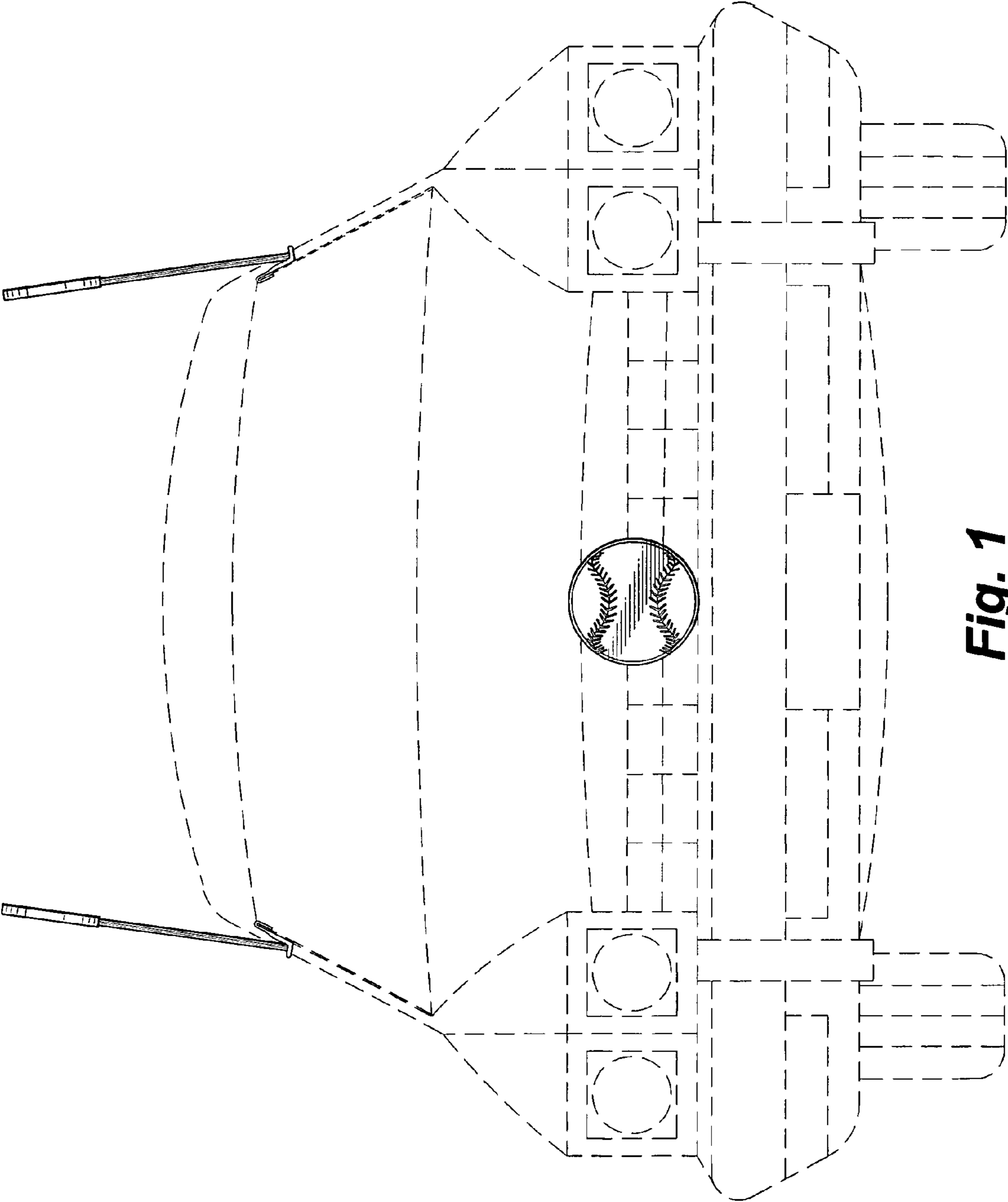
FIG. 3 is an enlarged rear perspective view thereof; and,

FIG. 4 is an enlarged top plan view thereof.

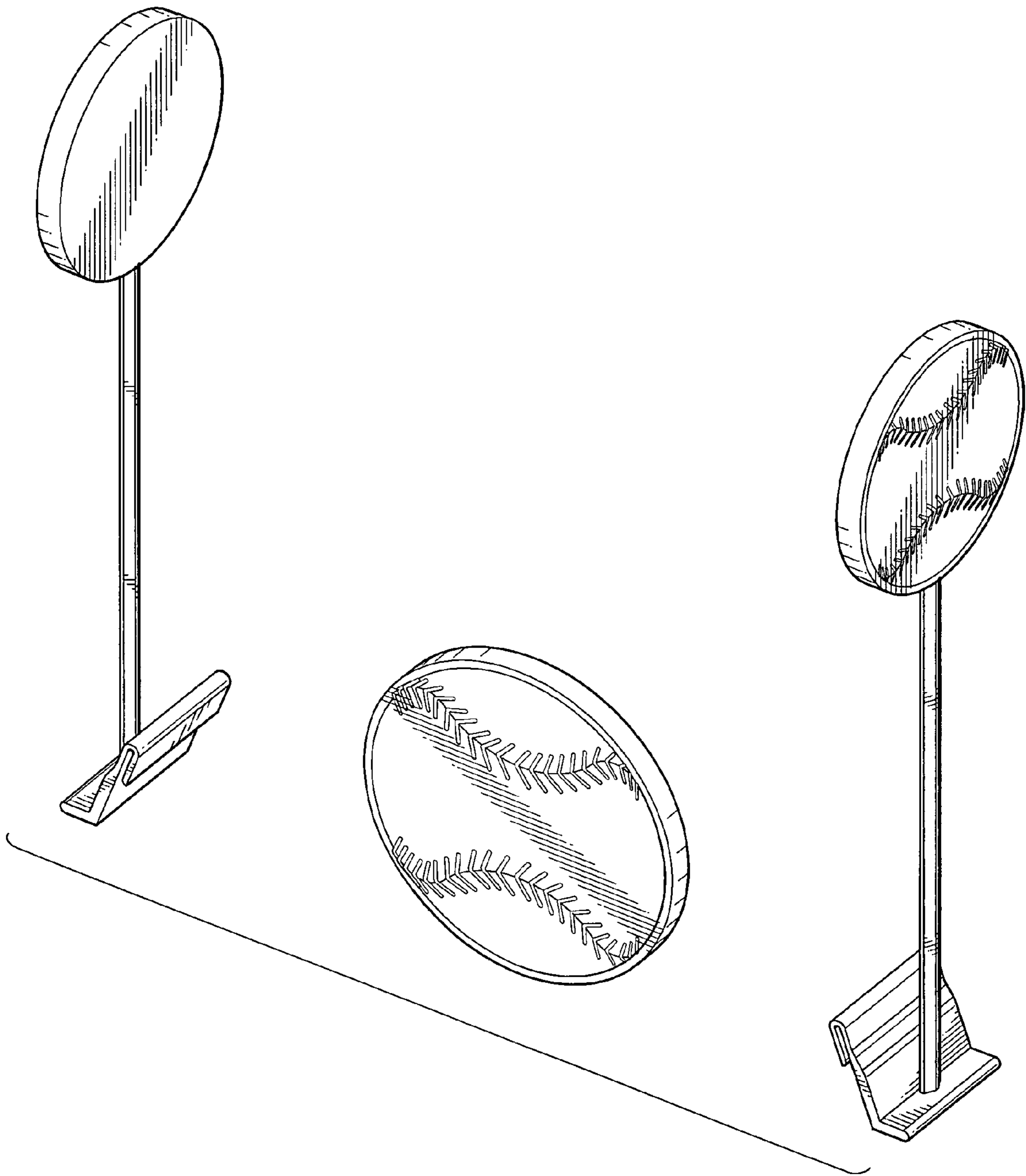
The broken line showing of the vehicle in FIG. 1 is for illustrative purposes only and forms no part of the claimed design. The broken line showing of the vehicle attachment means in FIG. 4 is for illustrative purposes only, merely disclosing the types of vehicle attachments that may be used, and forms no part of the claimed design.

**1 Claim, 4 Drawing Sheets**

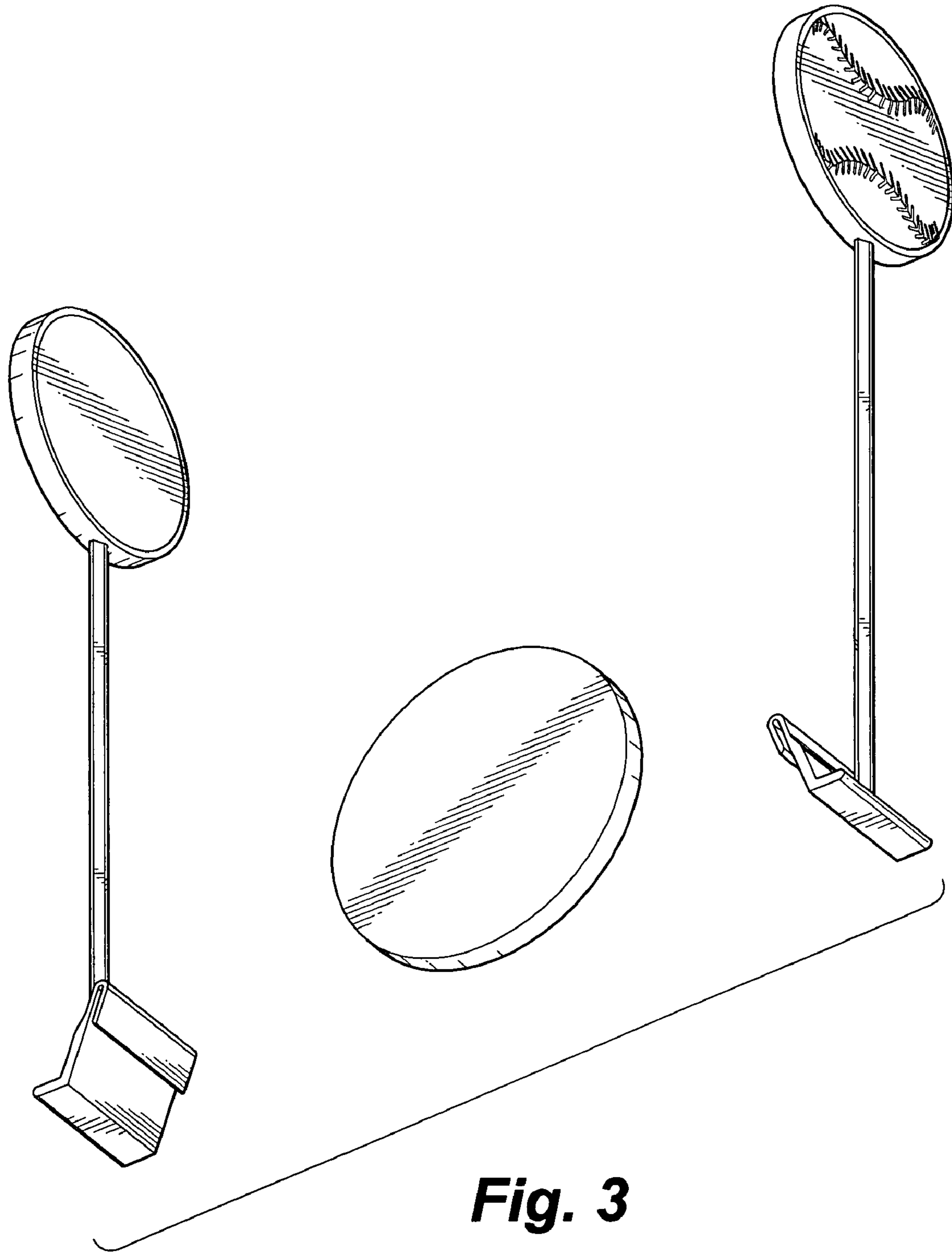




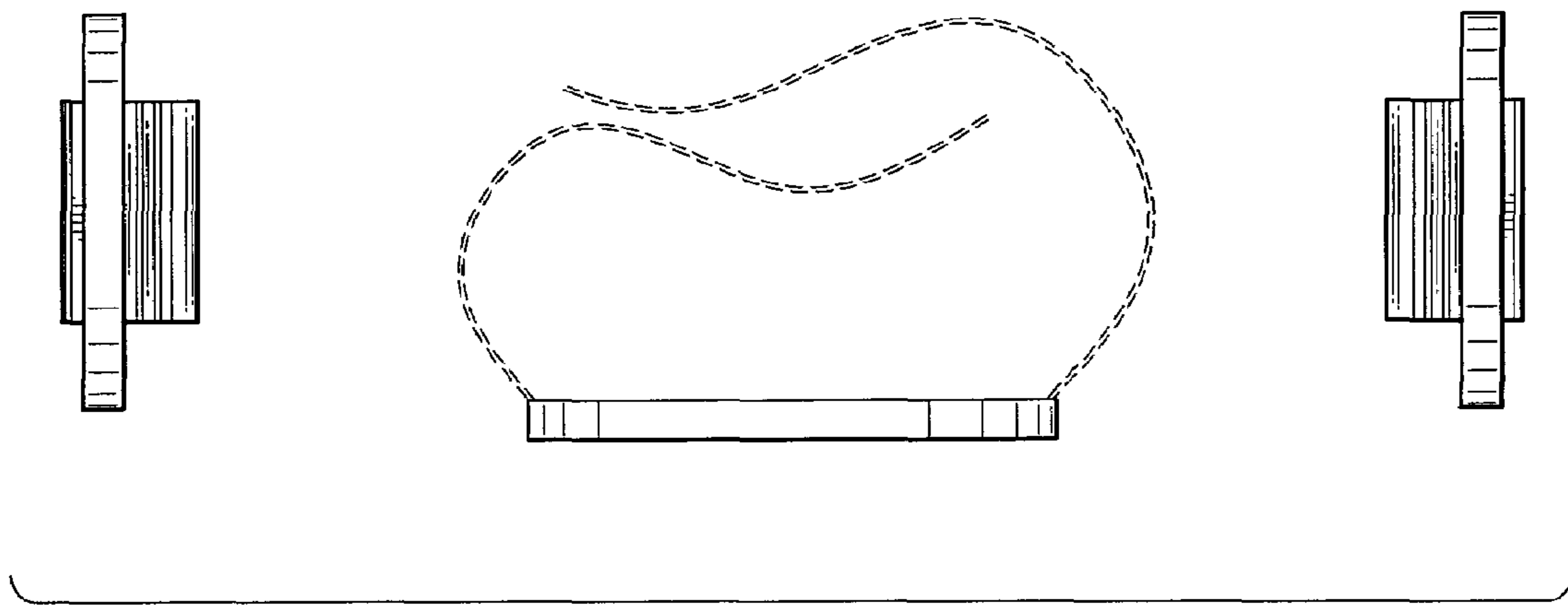
**Fig. 1**



**Fig. 2**



**Fig. 3**



**Fig. 4**