



US00D591666S

(12) **United States Design Patent**
Valeri

(10) **Patent No.:** **US D591,666 S**

(45) **Date of Patent:** **** May 5, 2009**

(54) **DECORATIVE KIT FOR VEHICLES**

(76) **Inventor:** **Sue E. Valeri**, 283 Harrison Ave.,
Harrison, NY (US) 10528

(**) **Term:** **14 Years**

(21) **Appl. No.:** **29/309,550**

(22) **Filed:** **Sep. 2, 2008**

(51) **LOC (9) Cl.** **12-16**

(52) **U.S. Cl.** **D12/400**

(58) **Field of Classification Search** D12/400,
D12/193, 153, 197, 199, 201; D6/300-303,
D6/310-314; 40/200-203, 207-216, 37.1;
D8/305, 397; D29/23 B; D2/250; D34/2 D;
D26/14 F

See application file for complete search history.

(56) **References Cited**

U.S. PATENT DOCUMENTS

D295,390	S *	4/1988	Maddox et al.	D11/133
D301,990	S *	7/1989	Webb	D11/81
4,972,795	A	11/1990	Mace		
D367,350	S *	2/1996	Sigal	D99/37
D401,193	S *	11/1998	Julian	D12/162
D406,461	S *	3/1999	Aliff	D3/270
D420,670	S *	2/2000	Hernandez et al.	D14/232
6,247,423	B1	6/2001	Ingram et al.		
D502,523	S *	3/2005	Orphan et al.	D21/831

D506,413	S *	6/2005	Puett, III	D11/172
D531,847	S *	11/2006	Lesniak	D6/597
D534,476	S *	1/2007	Valeri	D12/400
D534,478	S *	1/2007	Valeri	D12/400
D546,998	S *	7/2007	Nunes	D26/73

* cited by examiner

Primary Examiner—Caron Veynar

Assistant Examiner—Katrina A Kile

(74) *Attorney, Agent, or Firm*—Richard C. Litman

(57) **CLAIM**

The ornamental design for a decorative kit for vehicles, as shown and described.

DESCRIPTION

FIG. 1 is a front view of a decorative kit for vehicles showing my new design, shown in its position of use;

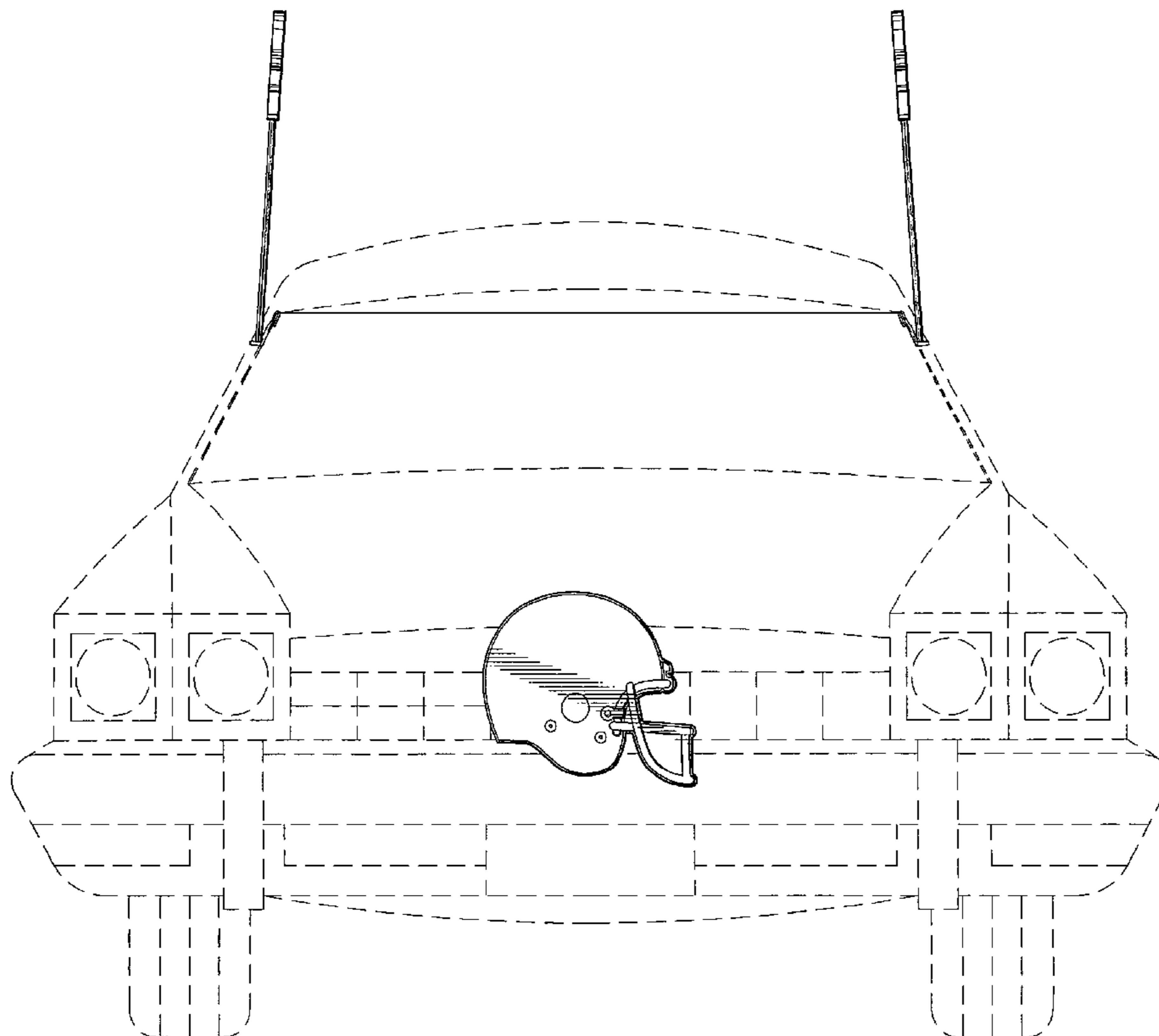
FIG. 2 is an enlarged front perspective view thereof;

FIG. 3 is an enlarged rear perspective view thereof; and,

FIG. 4 is an enlarged top plan view thereof.

The broken line showing of the vehicle in FIG. 1 is for illustrative purposes only and forms no part of the claimed design. The broken line showing of the vehicle attachment means in FIG. 4 is for illustrative purposes only, merely disclosing the types of vehicle attachments that may be used, and forms no part of the claimed design.

1 Claim, 4 Drawing Sheets



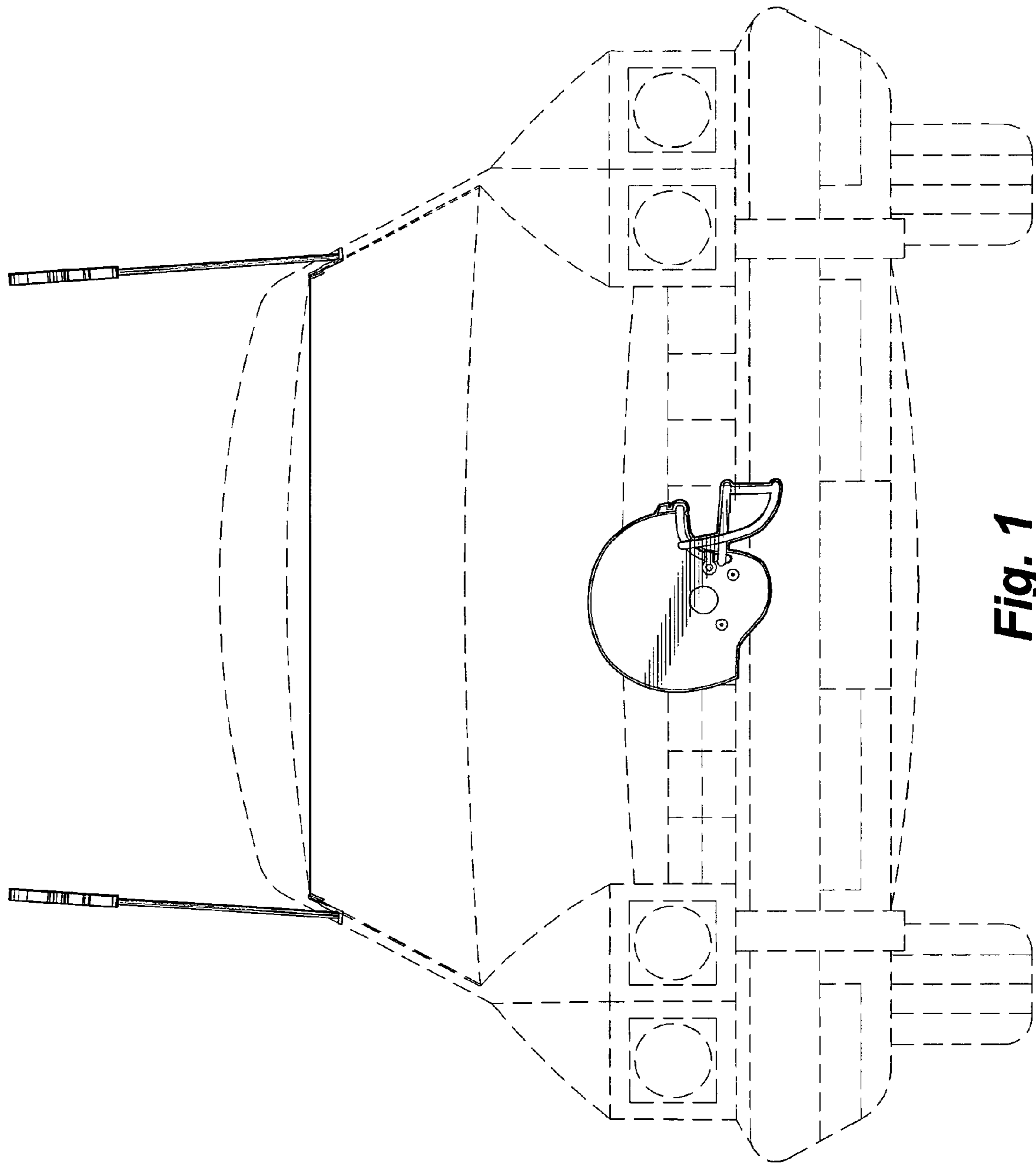


Fig. 1

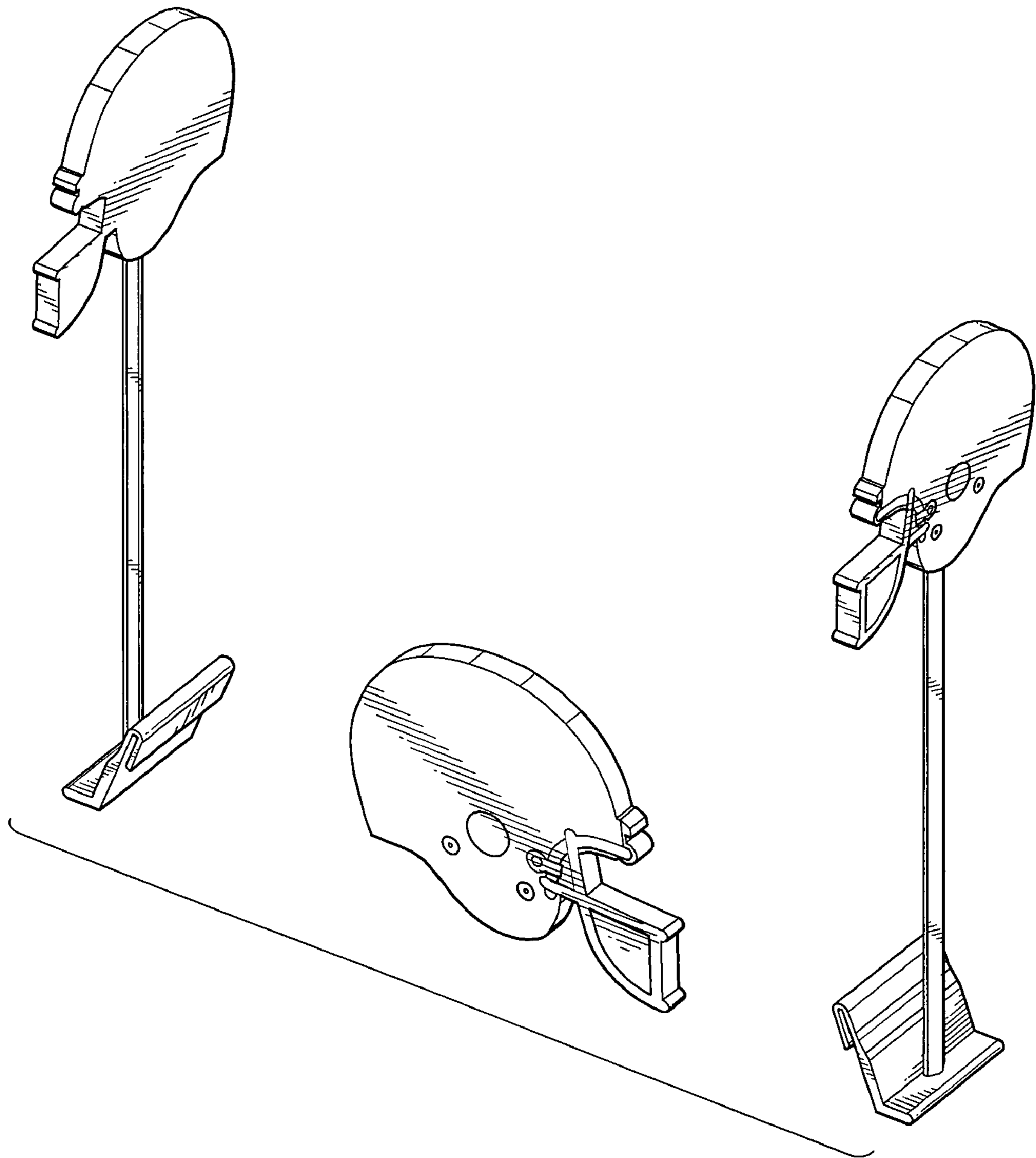


Fig. 2

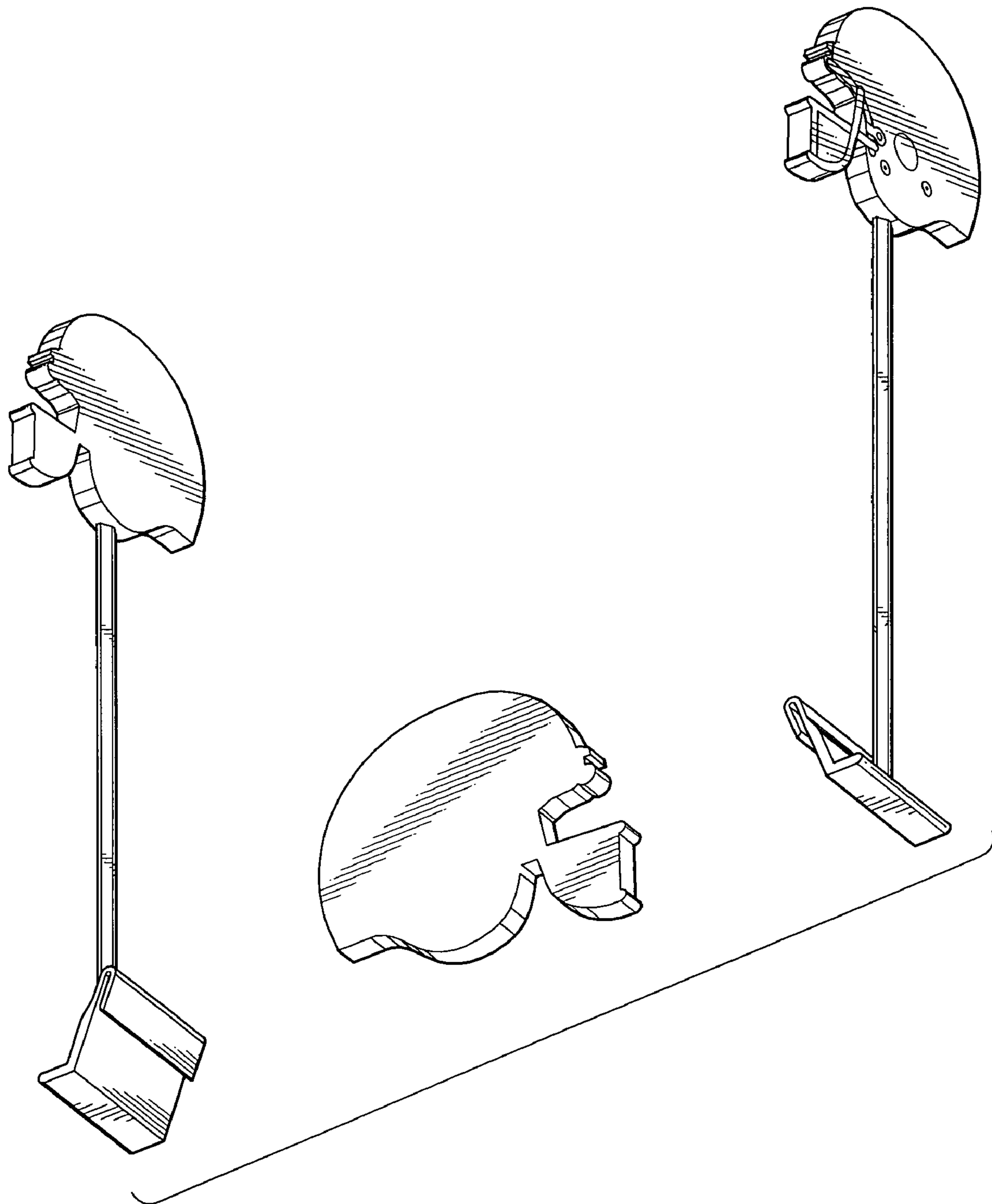


Fig. 3

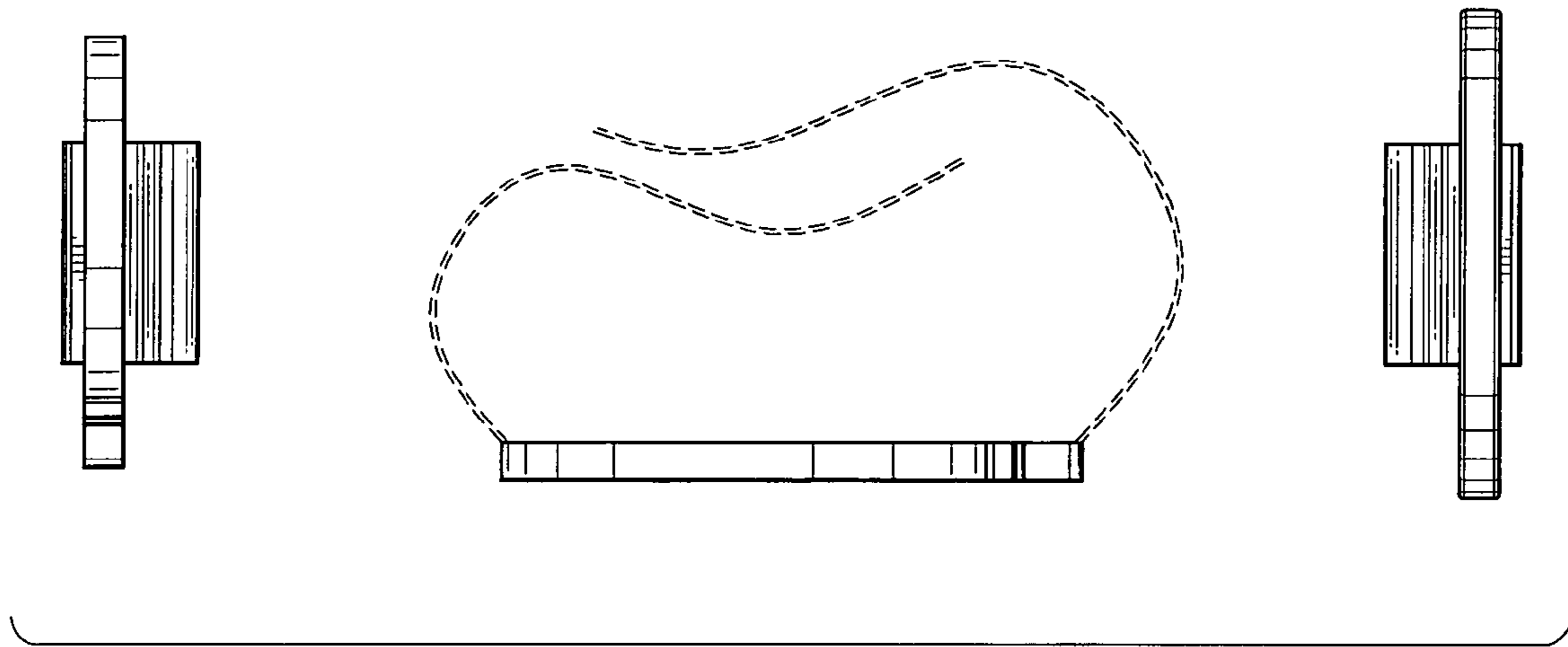


Fig. 4