



US00D591664S

(12) **United States Design Patent**
Corn

(10) **Patent No.:** **US D591,664 S**
(45) **Date of Patent:** **** May 5, 2009**

(54) **BOATING ACCESSORY**

FOREIGN PATENT DOCUMENTS

(75) Inventor: **James F. Corn**, Kearney, MO (US)

GB 716879 10/1954

(73) Assignee: **Sport Marine Technologies, Inc.**, Pilot Point, TX (US)

(Continued)

(**) Term: **14 Years**

OTHER PUBLICATIONS

(21) Appl. No.: **29/307,608**

Portion of front of package insert, XRIII hydrofoil, dated 2007 from Marine Dynamics, Inc.

(22) Filed: **Apr. 29, 2008**

(Continued)

(51) **LOC (9) Cl.** **12-06**

Primary Examiner—Holly H Baynham

(52) **U.S. Cl.** **D12/317**

Assistant Examiner—Cynthia M Chin

(58) **Field of Classification Search** D12/300,
D12/308, 309, 316, 317; 114/125, 126, 300,
114/312, 315, 322, 330–333, 337, 274–280,
114/281, 285–287; 440/6, 33, 42, 51, 65,
440/66, 71, 76, 80

(74) *Attorney, Agent, or Firm*—Thompson & Gustavson, L.L.P.

See application file for complete search history.

(57) **CLAIM**

The ornamental design for a boating accessory, as shown and described.

(56) **References Cited**

DESCRIPTION

U.S. PATENT DOCUMENTS

2,319,640	A	5/1943	Sink	
2,963,000	A	12/1960	Fester	
2,998,795	A	9/1961	Downie et al.	
3,099,240	A	7/1963	Montague, Jr.	
3,114,343	A	12/1963	Headrick et al.	
3,139,853	A	7/1964	McCarthy et al.	
3,211,119	A	10/1965	Kiekhaefer	
3,343,512	A	9/1967	Rasmussen	
3,433,195	A	3/1969	Poole	
3,765,356	A	10/1973	Cook	
3,964,417	A	6/1976	Williams et al.	
4,040,373	A	8/1977	Jones, Jr.	
4,100,876	A *	7/1978	Feleus	114/274
4,205,618	A *	6/1980	Olsson	114/281
4,323,355	A	4/1982	Kondo	
4,487,152	A	12/1984	Larson	
4,597,742	A	7/1986	Finkl	
4,708,672	A	11/1987	Bentz et al.	
4,738,644	A	4/1988	Happel	
4,744,779	A	5/1988	Koehler	
4,756,265	A	7/1988	Lane	

FIG. 1 is a perspective top view of a boat accessory embodying my design, shown mounted on the anti-ventilation plate of an outboard motor for mounting a hydrofoil, trolling motor or trolling plate to show the environment of its use, the anti-ventilation plate and outboard motor, both shown in dotted line, forming no part of the present invention, the apertures shown in dotted line forming no part of the present invention;

FIG. 2 is a perspective bottom view thereof, the apertures shown in dotted line forming no part of the present invention;

FIG. 3 is a back view thereof;

FIG. 4 is a right side view thereof, the left side view being a mirror image of the right side view;

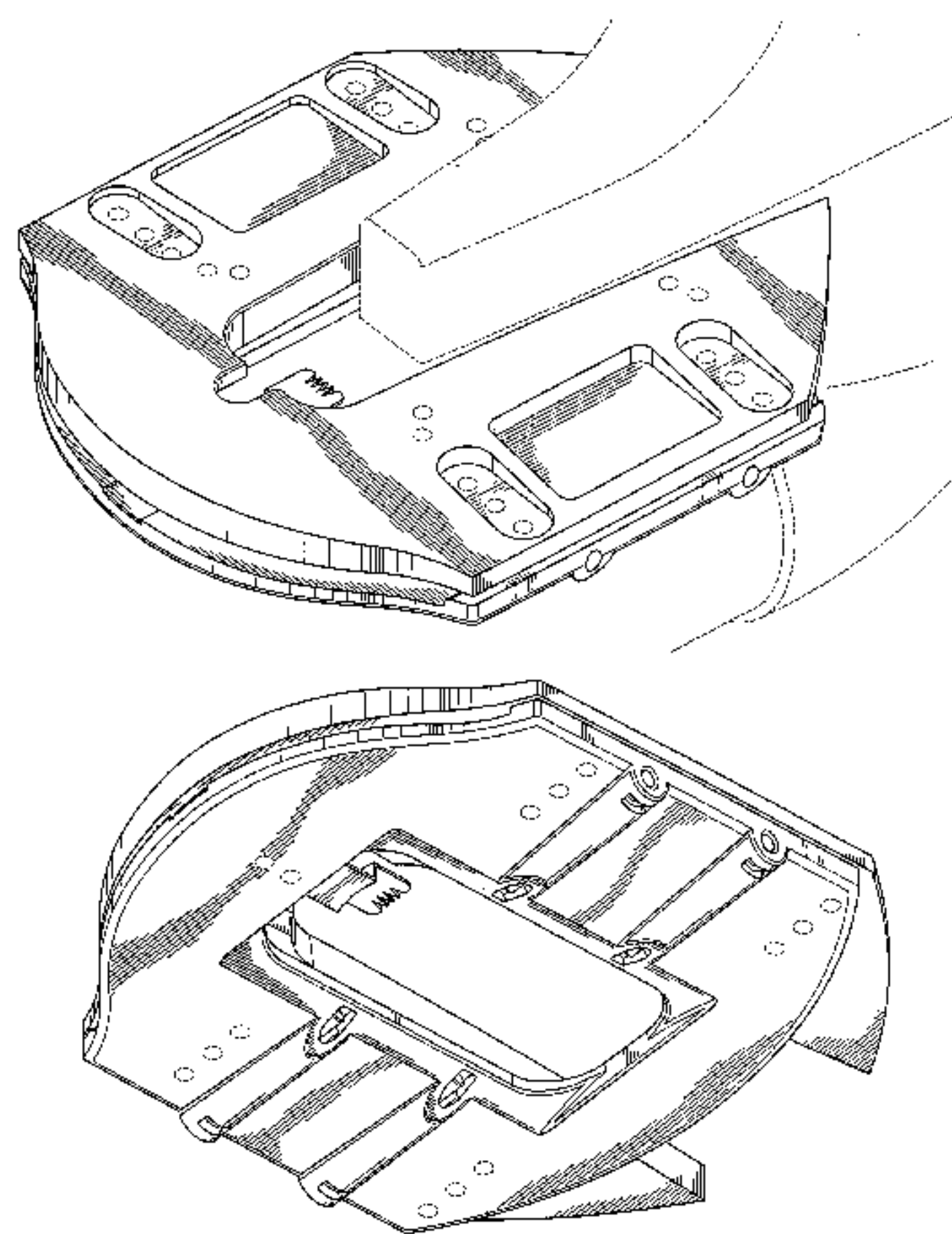
FIG. 5 is a front view thereof;

FIG. 6 is a top view thereof, the apertures shown in dotted line forming no part of the present invention; and,

FIG. 7 is a bottom view thereof, the apertures shown in dotted line forming no part of the present invention.

(Continued)

1 Claim, 5 Drawing Sheets



U.S. PATENT DOCUMENTS

D308,851 S 6/1990 Templeman
 D311,513 S 10/1990 Templeman
 5,048,449 A 9/1991 Templeman
 5,107,786 A * 4/1992 Templeman 114/280
 D328,732 S * 8/1992 Whitley, II D12/317
 5,138,966 A 8/1992 Whitley et al.
 D331,738 S 12/1992 Simpson
 5,178,089 A * 1/1993 Hodel 114/274
 5,203,275 A 4/1993 Brauner et al.
 5,231,950 A 8/1993 Poulos
 D351,129 S 10/1994 Templeman
 D352,023 S 11/1994 Corn
 5,425,663 A * 6/1995 Meisenburg et al. 440/80
 D363,914 S 11/1995 Corn
 5,638,765 A 6/1997 Poulos
 5,848,922 A * 12/1998 Itima et al. 440/66
 6,503,110 B2 * 1/2003 Lampli 440/71
 6,948,441 B2 * 9/2005 Levine 114/274
 7,011,559 B1 * 3/2006 Moldenhauer 440/71
 D533,497 S * 12/2006 Templeman D12/317
 7,232,355 B2 * 6/2007 Woolley 441/65
 7,270,584 B1 * 9/2007 Mitchell 440/71

FOREIGN PATENT DOCUMENTS

SE 226596 5/1969

OTHER PUBLICATIONS

Portion of back of package insert, XRIII hydrofoil, dated 2007 from Marine Dynamics, Inc.
 Internet catalog of Marine Dynamics, Inc. downloaded 2008.
 Ad from Marine Dynamics, Inc. date unknown.
 Advertisement, Sting Ray Hydrofoil Stabilizer, IMTEC 1994.
 Article, Build Your Own Ski Boat, Waterski, Nov./Dec. 1994, Authour Pierce Hoover.
 Article, Doel-fin—Not Just Another Gadget, Jul. 1979.
 Article, Hydrofoils: How Good Are They?, Trailer Boats, Apr. 1994; pp. cover, 64-69.
 Advertisement, Sting Ray Hydrofoil Stabilizer, 1988, Marine Dynamics, Inc.
 Advertisement, p. 36, 1991.
 Advertisement, Doel fin Boat Stabilizer, Doelcher Products, Inc., 1979.
 Advertisement, Break Through of Doel fin Stabilizer, 1979.
 Article, Hydrofoils: How Good Are They? by Jim Barron, 1994.
 Advertisement, Hydrofoil G.T., Hydrofoil International Corp., 1994.
 Advertisement, Trailer Boats, p. 130 Sting Ray Hydrofoil Stabilizer, 1988.
 Advertisement, Bass Pro, p. 100, 1988.

* cited by examiner

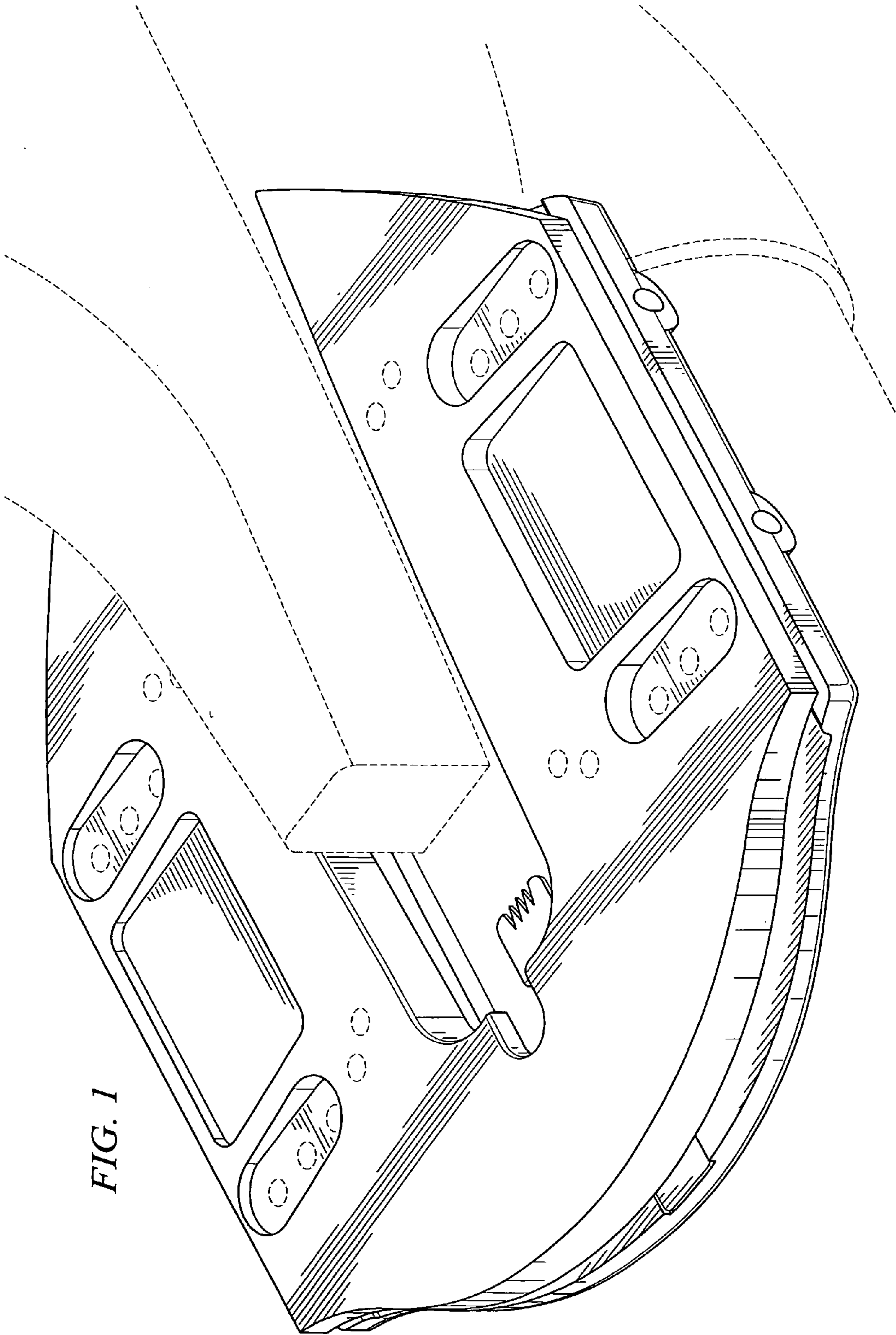


FIG. 1

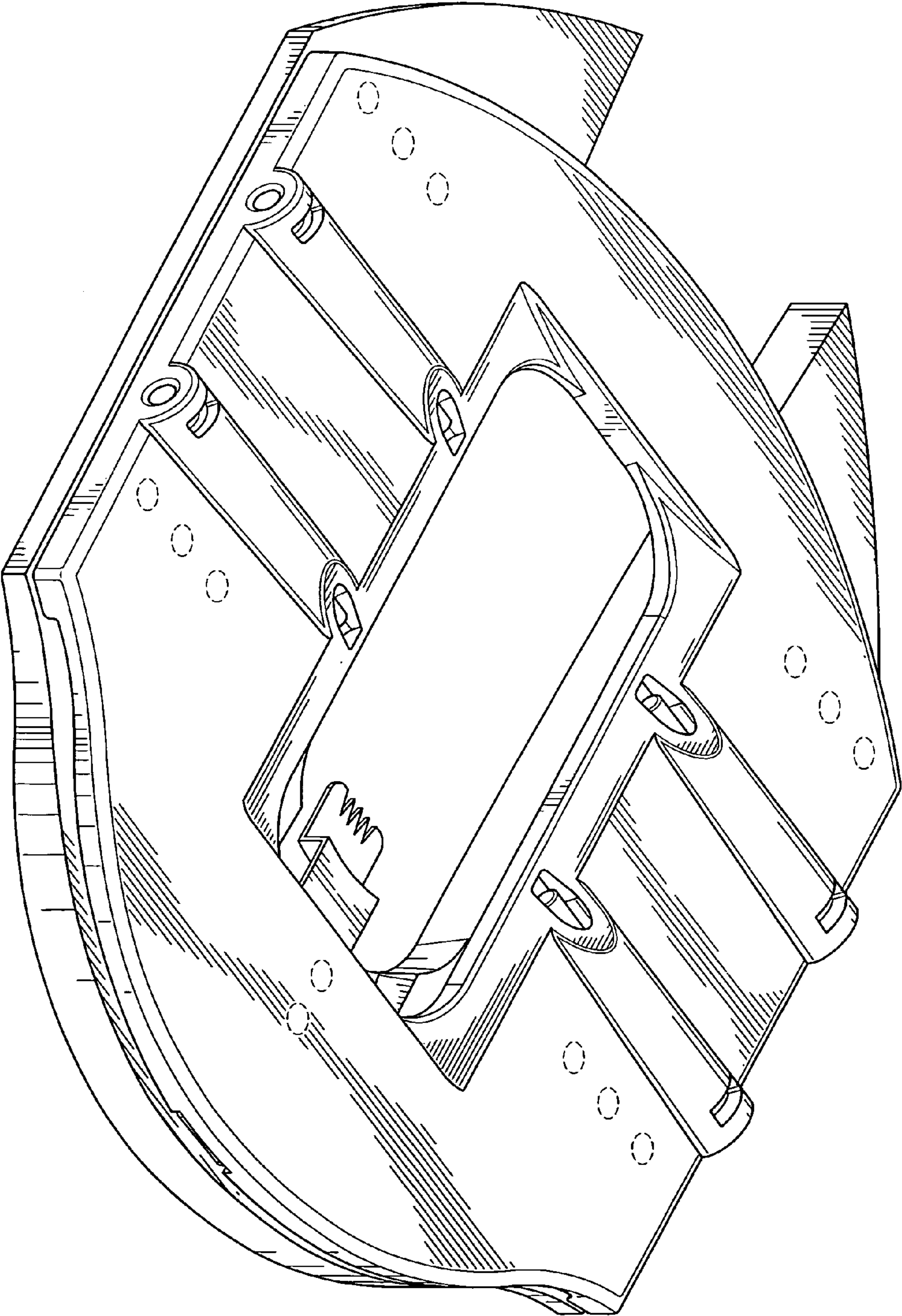


FIG. 2

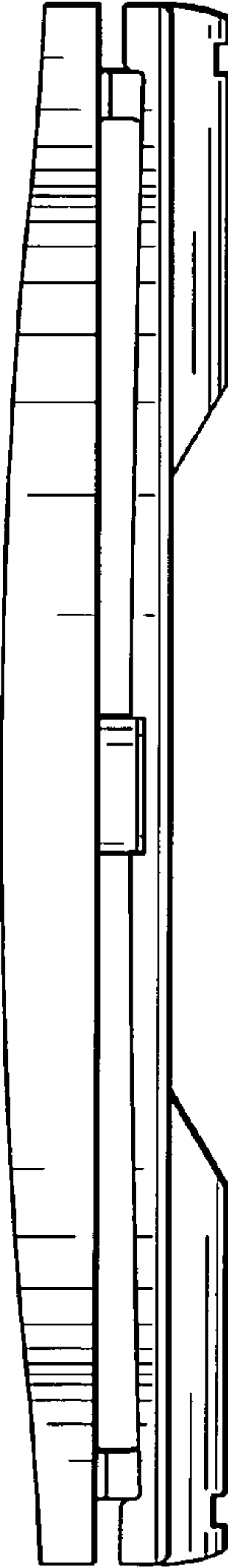


FIG. 3

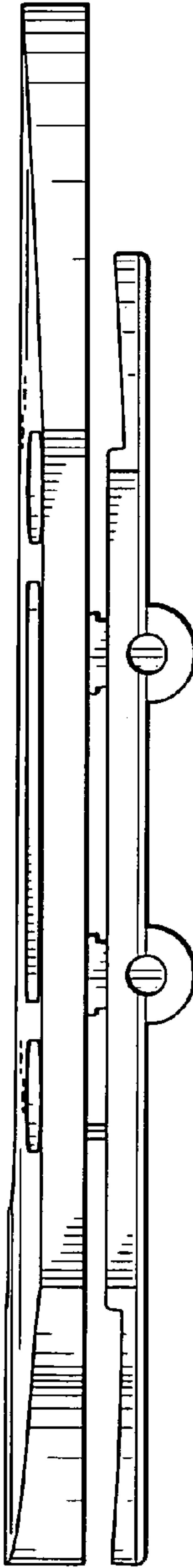


FIG. 4

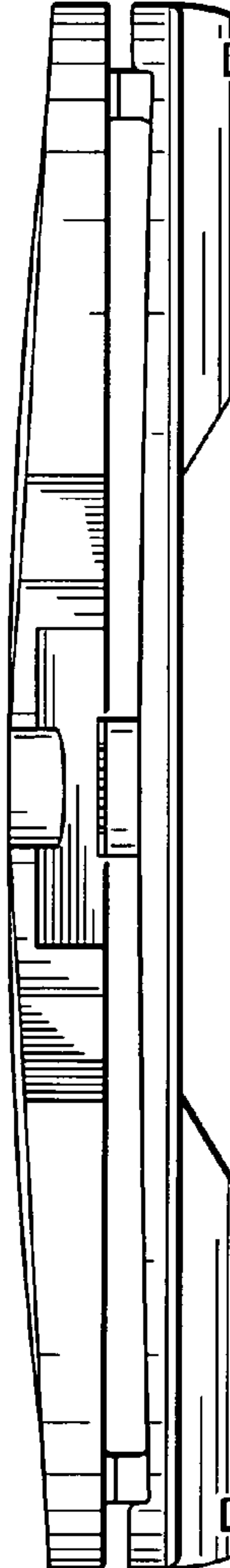


FIG. 5

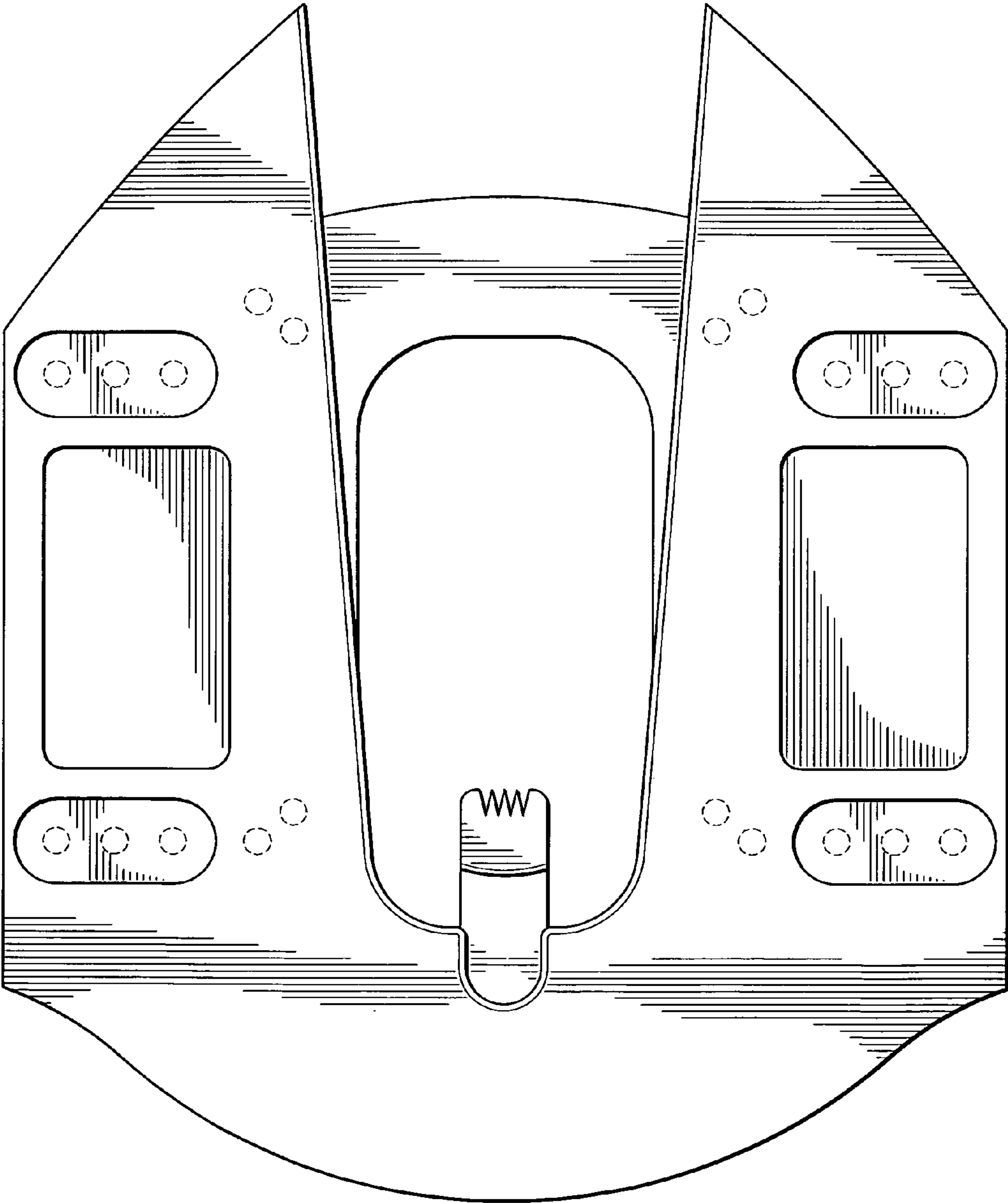


FIG. 6

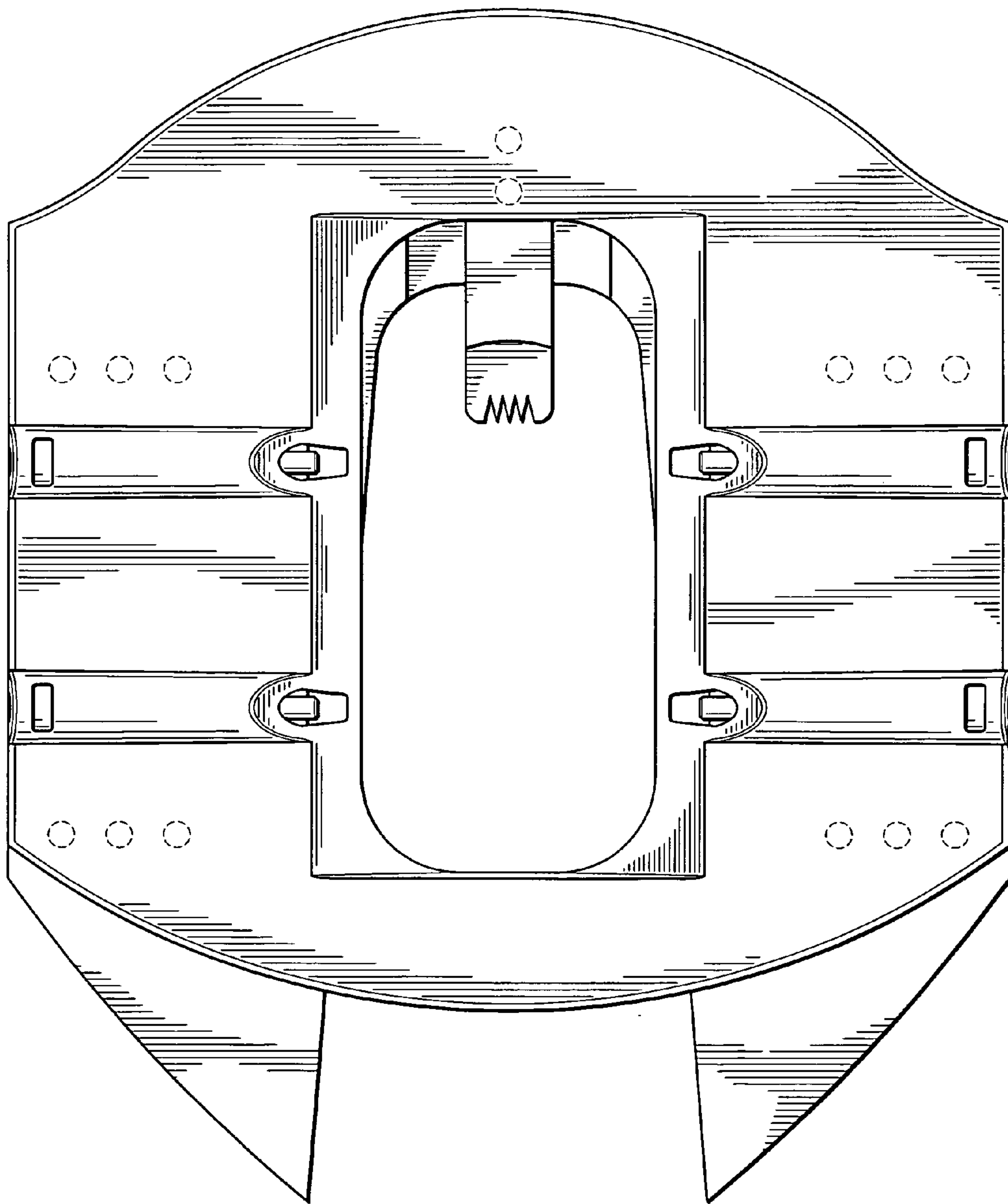


FIG. 7