



US00D591663S

(12) **United States Design Patent**
Chung

(10) **Patent No.:** **US D591,663 S**

(45) **Date of Patent:** **** May 5, 2009**

(54) **AUTOMOTIVE WHEEL**

(76) **Inventor:** **Suny Chung**, 3283 Red Pine Rd., Yorba Linda, CA (US) 92886

(**) **Term:** **14 Years**

(21) **Appl. No.:** **29/313,372**

(22) **Filed:** **Dec. 31, 2008**

(51) **LOC (9) Cl.** **12-16**

(52) **U.S. Cl.** **D12/211**

(58) **Field of Classification Search** D12/204-213;
301/37.101, 64.101, 65, 64.201

See application file for complete search history.

(56) **References Cited**

U.S. PATENT DOCUMENTS

D418,473 S *	1/2000	Chung	D12/211
D474,440 S *	5/2003	Oh	D12/211
D502,135 S *	2/2005	Weld	D12/211
D535,605 S *	1/2007	Guevara	D12/211
D542,726 S *	5/2007	Hieke	D12/209

D549,634 S *	8/2007	Foose	D12/211
D551,148 S *	9/2007	Musser	D12/211
D553,070 S *	10/2007	Tirado	D12/211
D573,083 S *	7/2008	Hetrick	D12/211
D582,334 S *	12/2008	Fournier	D12/211

* cited by examiner

Primary Examiner—Stacia Cadmus

(57) **CLAIM**

The ornamental design for an automotive wheel, as shown and described.

DESCRIPTION

FIG. 1 is a perspective view of an automotive wheel, showing my new design; and,

FIG. 2 is a front view thereof.

The broken line showing of rear portion of the wheel rim is included for the purpose of illustrating environment and forms no part of the claimed design.

1 Claim, 2 Drawing Sheets

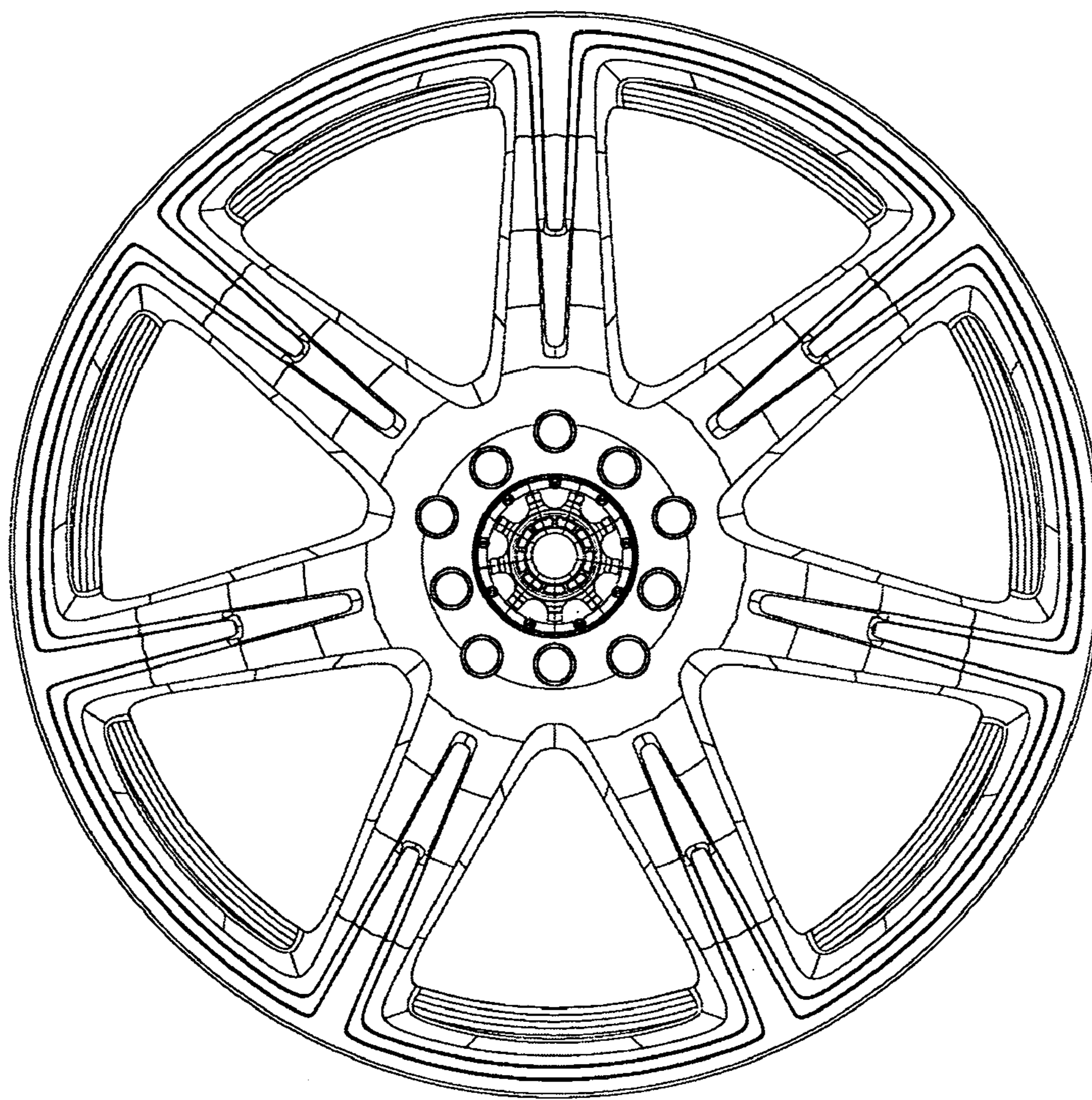


Figure 1

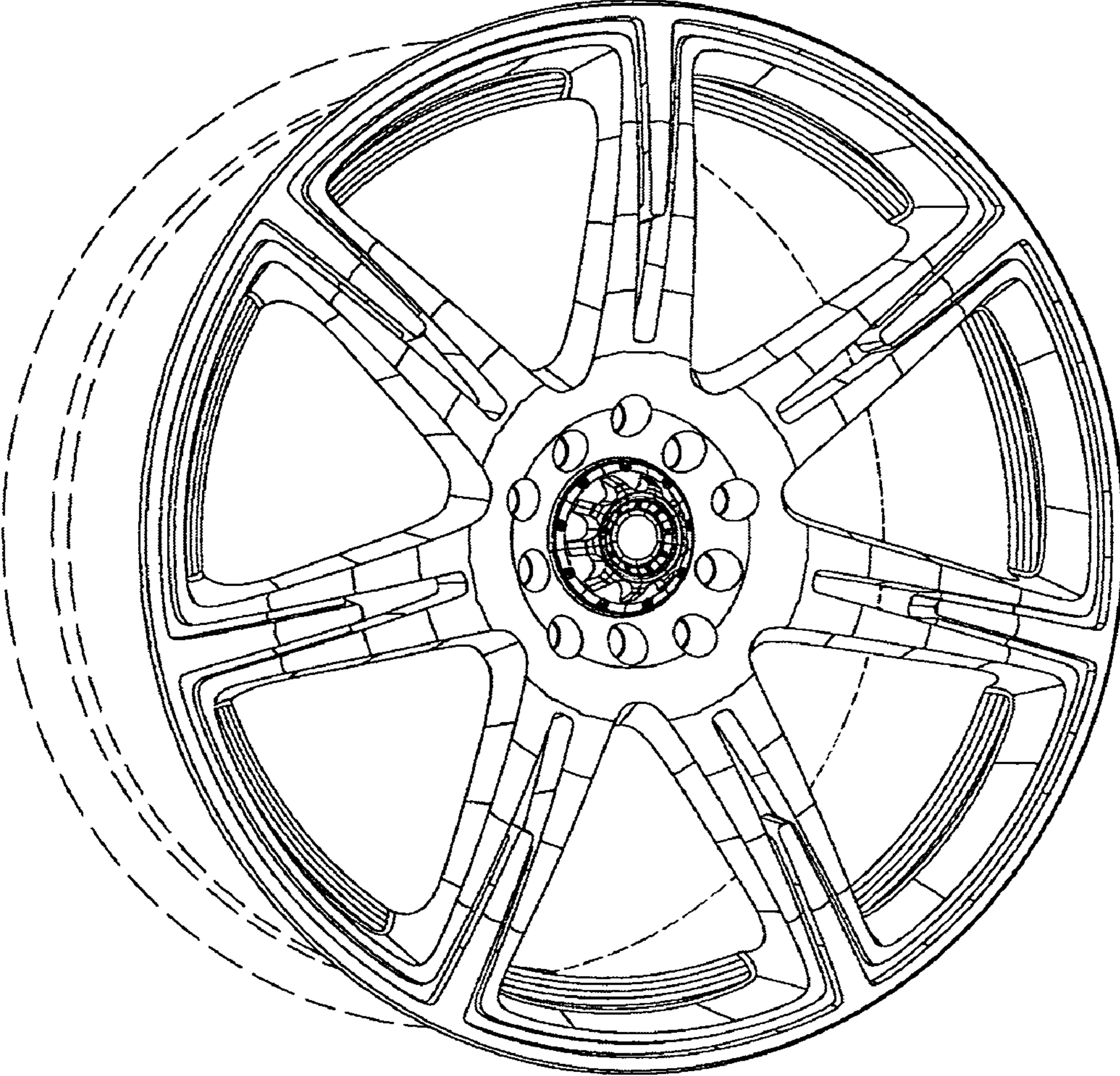


Figure 2

