



US00D591661S

(12) **United States Design Patent**  
**Baum**

(10) **Patent No.:** **US D591,661 S**  
(45) **Date of Patent:** **\*\* May 5, 2009**

(54) **FRONT FACE OF A VEHICLE WHEEL**

(75) Inventor: **Stephan Baum**, Olching (DE)

(73) Assignee: **Bayerische Motoren Werke Aktiengesellschaft**, Munich (DE)

(\*\*) Term: **14 Years**

(21) Appl. No.: **29/287,169**

(22) Filed: **Jul. 6, 2007**

(30) **Foreign Application Priority Data**

Jan. 9, 2007 (DE) ..... 4 07 00 144

(51) **LOC (9) Cl.** ..... **12-16**

(52) **U.S. Cl.** ..... **D12/209**

(58) **Field of Classification Search** ..... D12/204-213;  
301/37.101, 64.101, 65, 64.201  
See application file for complete search history.

(56) **References Cited**

**U.S. PATENT DOCUMENTS**

- D348,243 S \* 6/1994 Echazabal et al. .... D12/211
- D350,932 S \* 9/1994 Echazabel et al. .... D12/211
- D416,849 S \* 11/1999 Weidhase ..... D12/211
- D438,503 S \* 3/2001 Syring ..... D12/211
- D451,067 S \* 11/2001 Frizzi ..... D12/211
- D472,865 S \* 4/2003 Wechner ..... D12/211
- D474,440 S \* 5/2003 Oh ..... D12/211
- D480,035 S \* 9/2003 Frohlich ..... D12/211
- D500,726 S \* 1/2005 Hettler ..... D12/211
- D506,172 S \* 6/2005 Pfeiffer ..... D12/211
- D516,989 S 3/2006 Baum
- D516,990 S \* 3/2006 Schweizer ..... D12/211

- D525,932 S 8/2006 Hettler
- D526,948 S \* 8/2006 Truebsbach ..... D12/211
- D543,923 S \* 6/2007 Hieke ..... D12/211
- D548,162 S \* 8/2007 Baum ..... D12/211
- D548,166 S \* 8/2007 Young ..... D12/211
- D555,065 S \* 11/2007 Hernandez ..... D12/211
- D556,113 S \* 11/2007 Celik ..... D12/211
- D558,117 S \* 12/2007 Baum ..... D12/211
- D576,094 S \* 9/2008 Bernoni ..... D12/211
- D578,053 S \* 10/2008 Neeper ..... D12/211
- D578,455 S \* 10/2008 Pfeiffer ..... D12/211
- D580,336 S \* 11/2008 Chung ..... D12/211

**FOREIGN PATENT DOCUMENTS**

- EM 000207667-0002 10/2004
- JP 1190121 11/2003
- JP 1274662 6/2006
- TW D110570 5/2006

\* cited by examiner

*Primary Examiner*—Cathron C Brooks

*Assistant Examiner*—Austin Murphy

(74) *Attorney, Agent, or Firm*—Crowell & Moring LLP

(57) **CLAIM**

The ornamental design for a front face of a vehicle wheel, as shown and described.

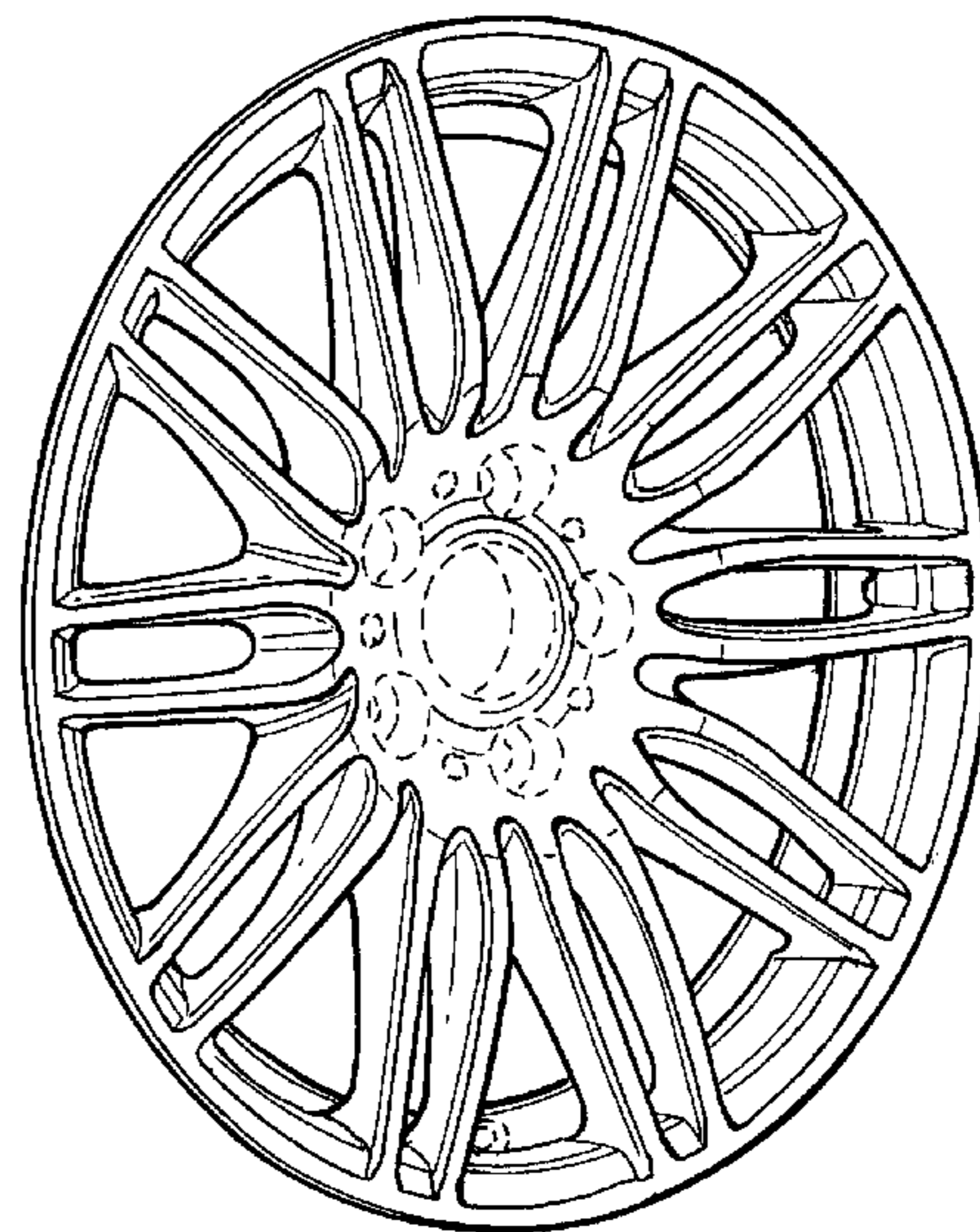
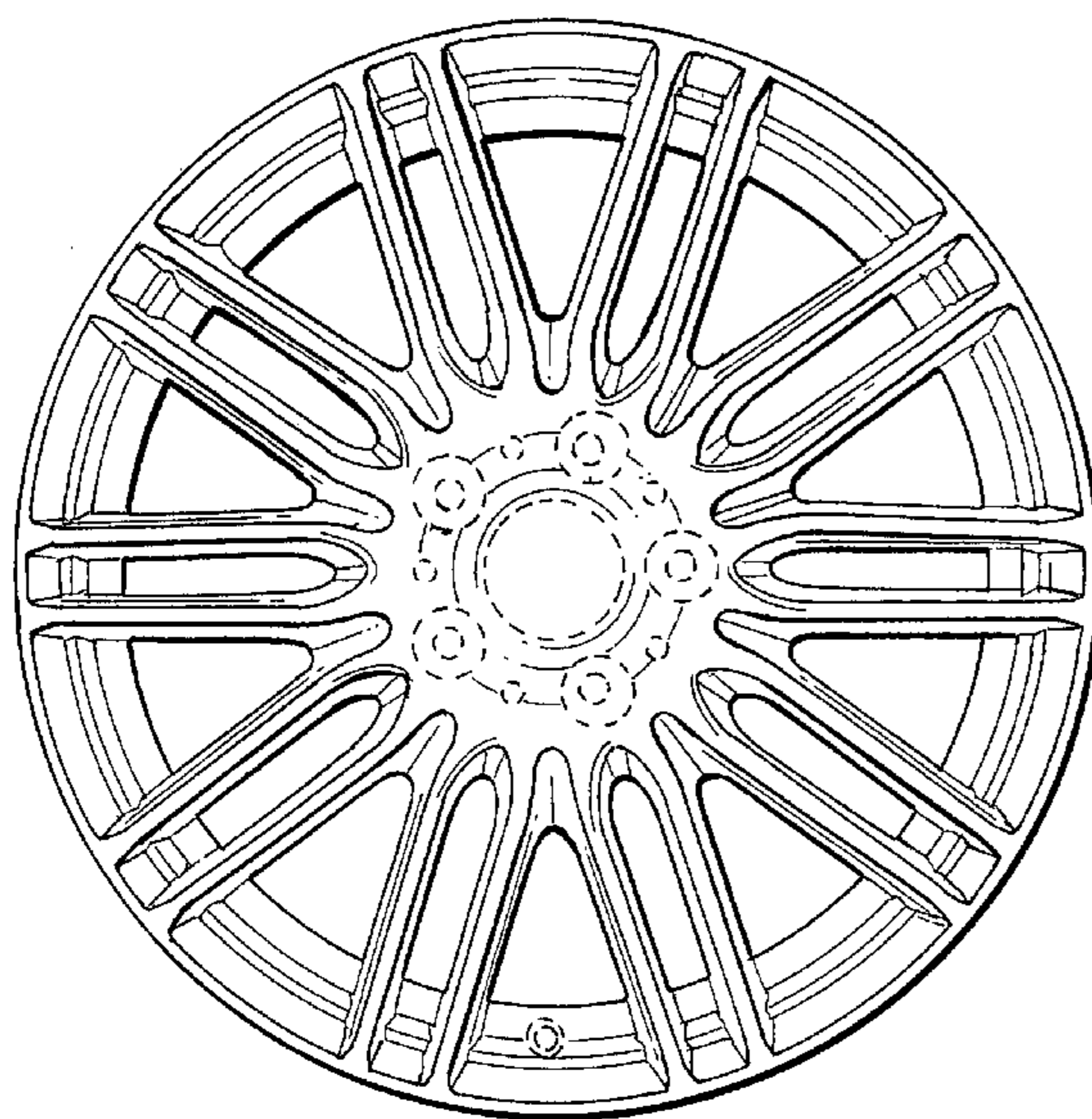
**DESCRIPTION**

FIG. 1 is a front view of a front face of a vehicle wheel according to my design; and,

FIG. 2 is a perspective view thereof.

The broken lines are for illustrative purposes only and form no part of the claimed design.

**1 Claim, 1 Drawing Sheet**





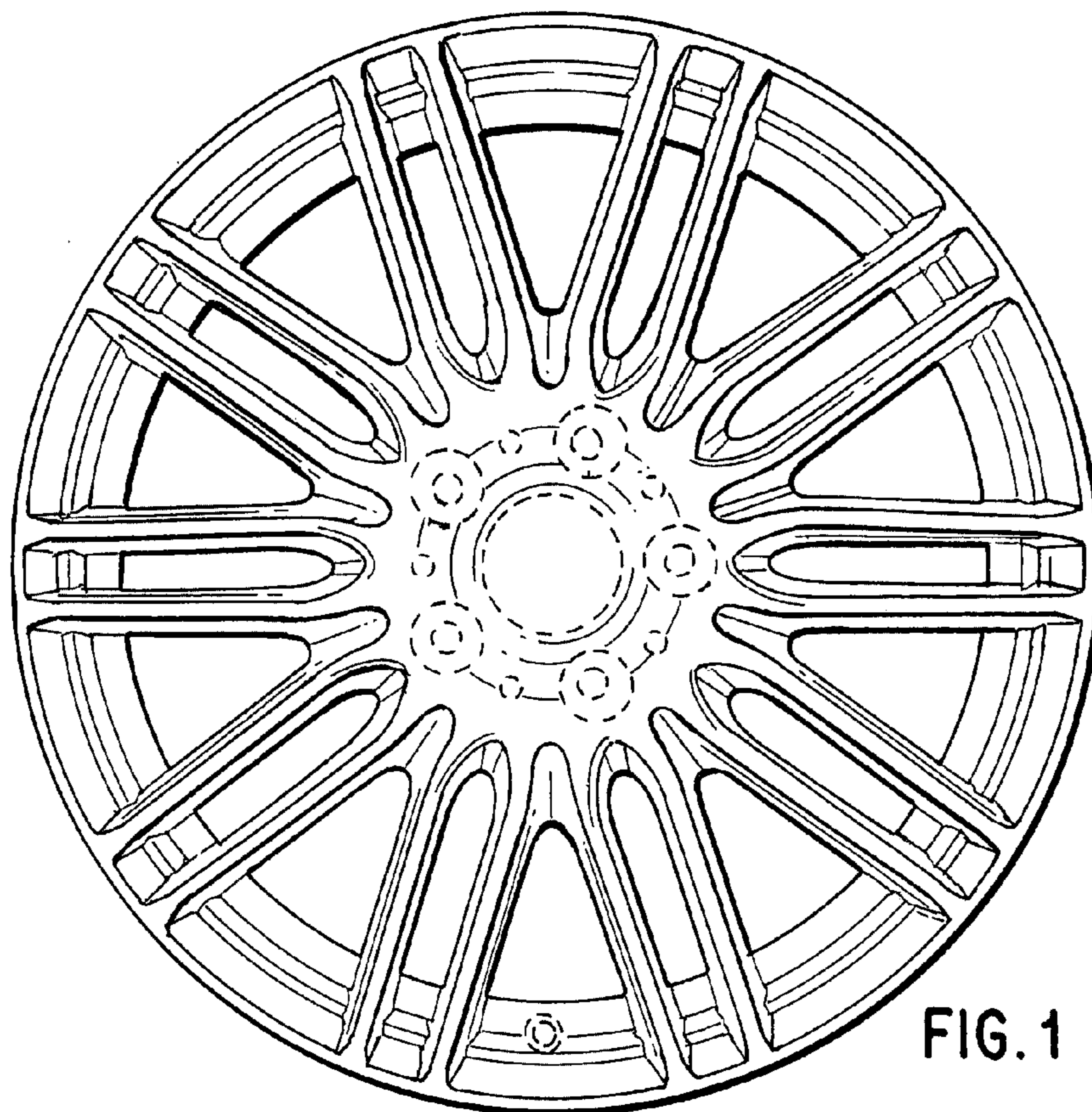


FIG. 1

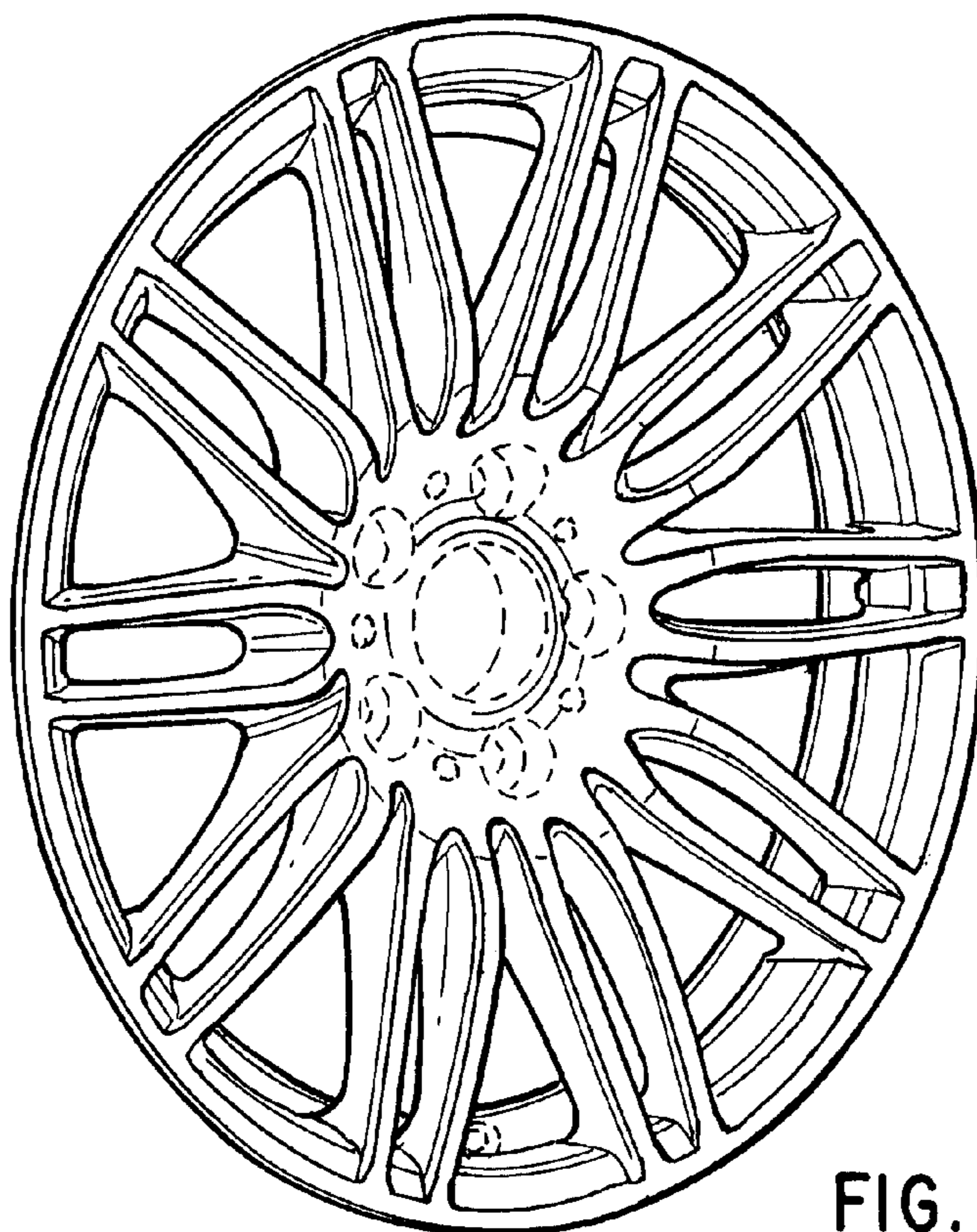


FIG. 2