

US00D591660S

(12) **United States Design Patent**
Kazaryan

(10) **Patent No.:** **US D591,660 S**

(45) **Date of Patent:** **** May 5, 2009**

(54) **LICENSE PLATE SECURITY COVER**

(76) **Inventor:** **Robert Kazaryan**, 826 Wilcox Ave.,
Apartment 102, Los Angeles, CA (US)
90038

(**) **Term:** **14 Years**

(21) **Appl. No.:** **29/330,909**

(22) **Filed:** **Jan. 15, 2009**

(51) **LOC (9) Cl.** **12-16**

(52) **U.S. Cl.** **D12/193**

(58) **Field of Classification Search** D12/193;
D6/300-303, 310-314; 40/200-204, 207-214;
362/497, 473, 327, 604; D20/13

See application file for complete search history.

(56) **References Cited**

U.S. PATENT DOCUMENTS

D105,001 S *	6/1937	Duryea	D12/193
D219,774 S *	1/1971	Cox	D12/193
D301,863 S *	6/1989	Iacovelli et al.	D12/193
5,381,618 A	1/1995	Singleton		
D370,450 S	6/1996	Doan		
D382,241 S *	8/1997	Moureaux	D12/193
D413,848 S *	9/1999	Doerr	D12/193
D426,580 S *	6/2000	Gall	D20/13
6,385,876 B1	5/2002	McKenzie		

6,481,126 B2	11/2002	Paulhill		
D469,044 S *	1/2003	Ohm et al.	D12/193
6,892,483 B2	5/2005	Parenti		
6,962,013 B1 *	11/2005	Perrin	40/209
D557,647 S *	12/2007	Parenti	D12/193
2006/0230651 A1	10/2006	Eidsmore		

* cited by examiner

Primary Examiner—Stacia Cadmus

(57) **CLAIM**

The ornamental design for a license plate security cover, as shown and described.

DESCRIPTION

FIG. 1 is a perspective view of a license plate security cover;

FIG. 2 is a front view thereof;

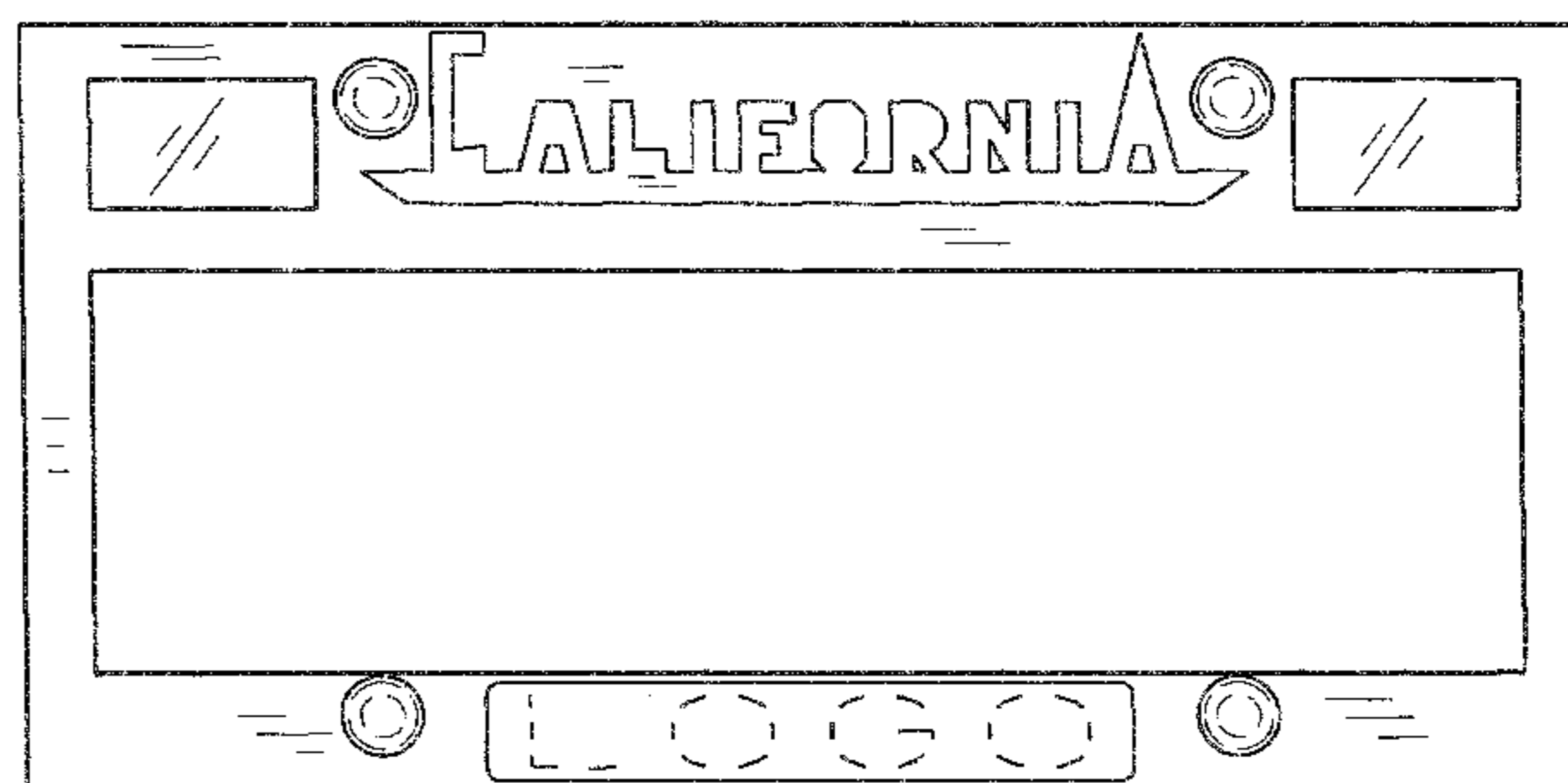
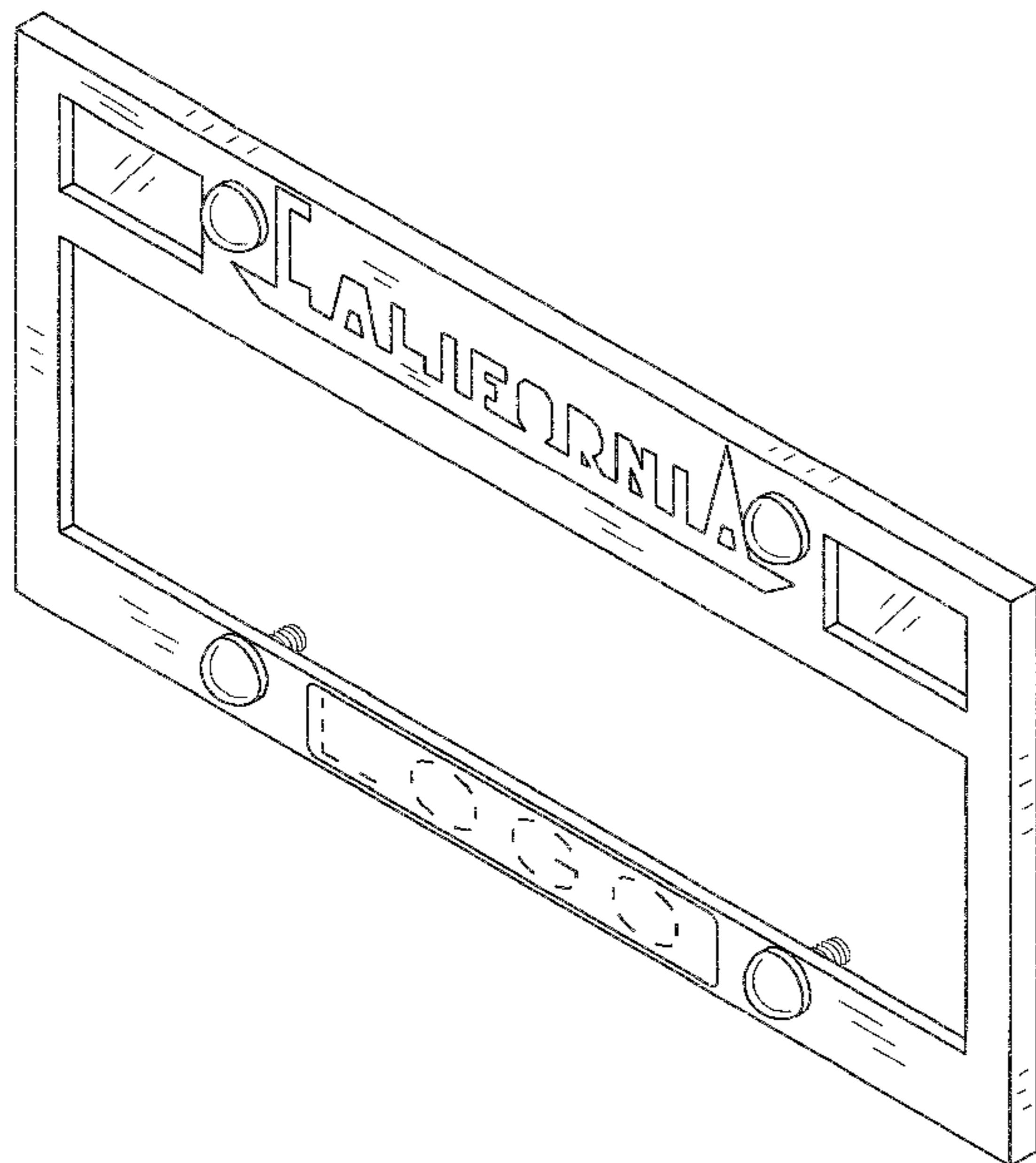
FIG. 3 is a back view thereof;

FIG. 4 is a side view thereof (opposite side is a mirror image of this view); and,

FIG. 5 is top view thereof (bottom view is a mirror image of this view).

In FIG. 1 and 2, the broken lines showing of environmental structure for purposes of illustrating the license plate security cover device in a condition of use. The broken lines and the structure they depict form no part of the claimed design.

1 Claim, 4 Drawing Sheets



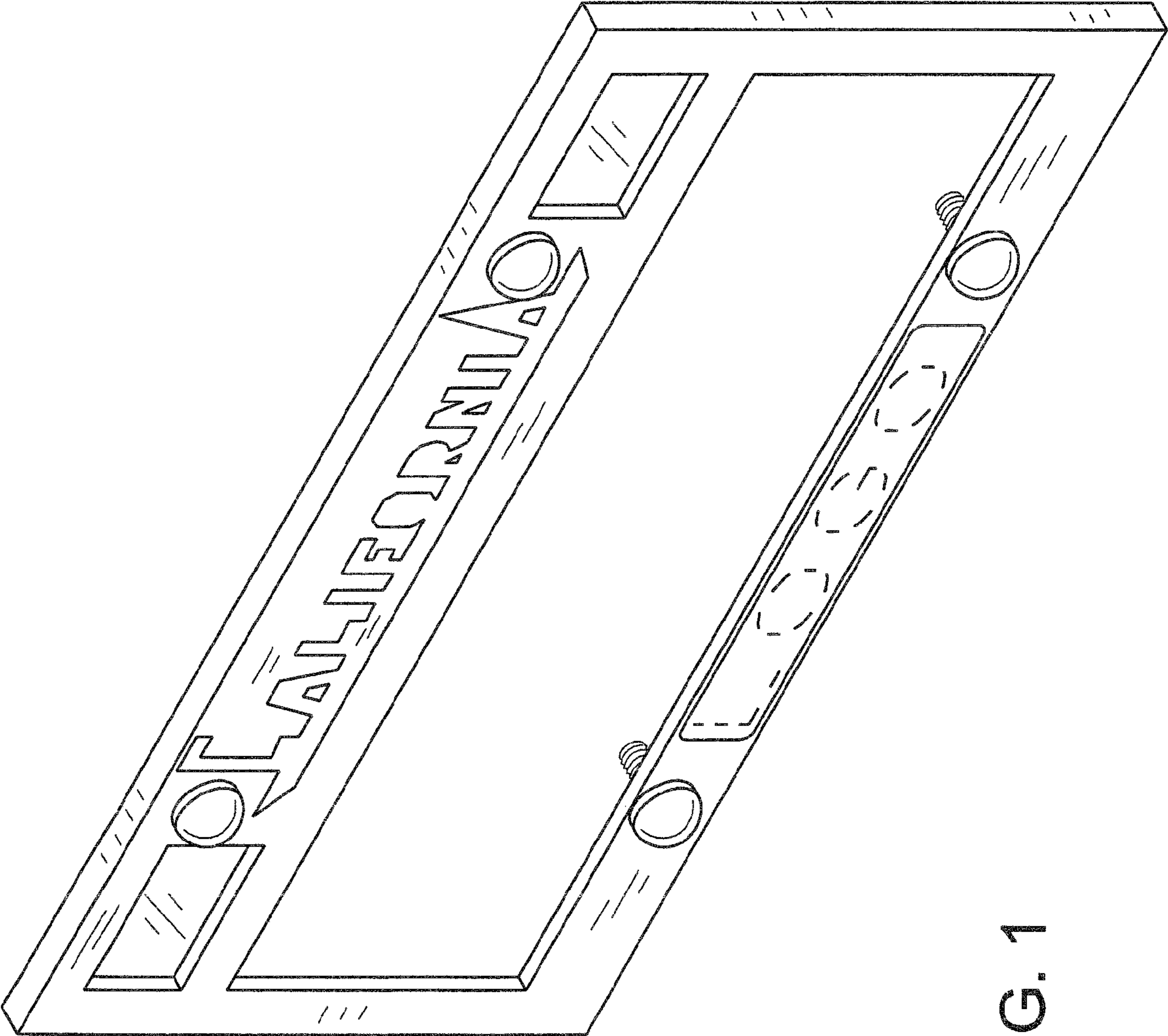


FIG. 1

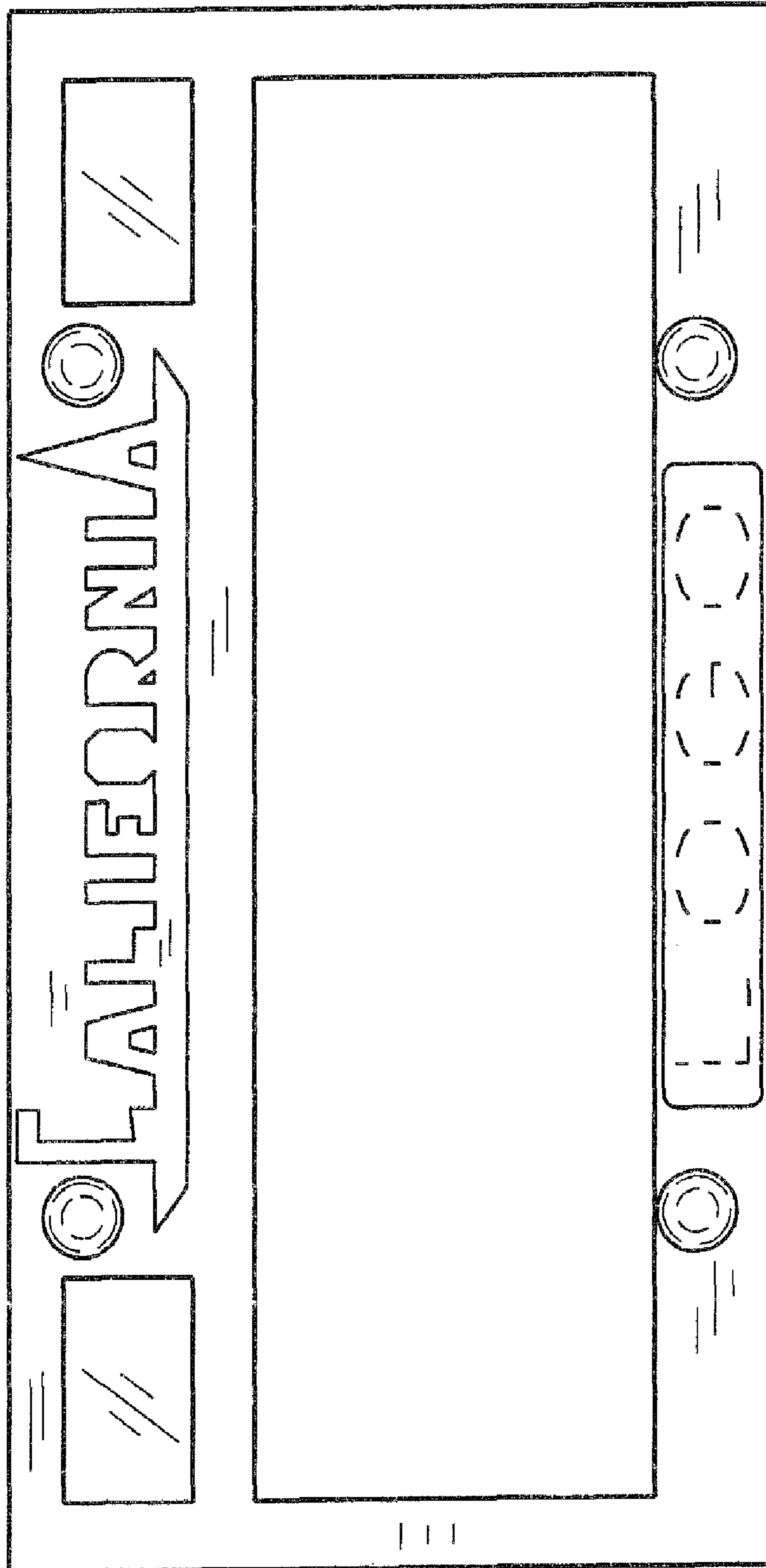


FIG. 2

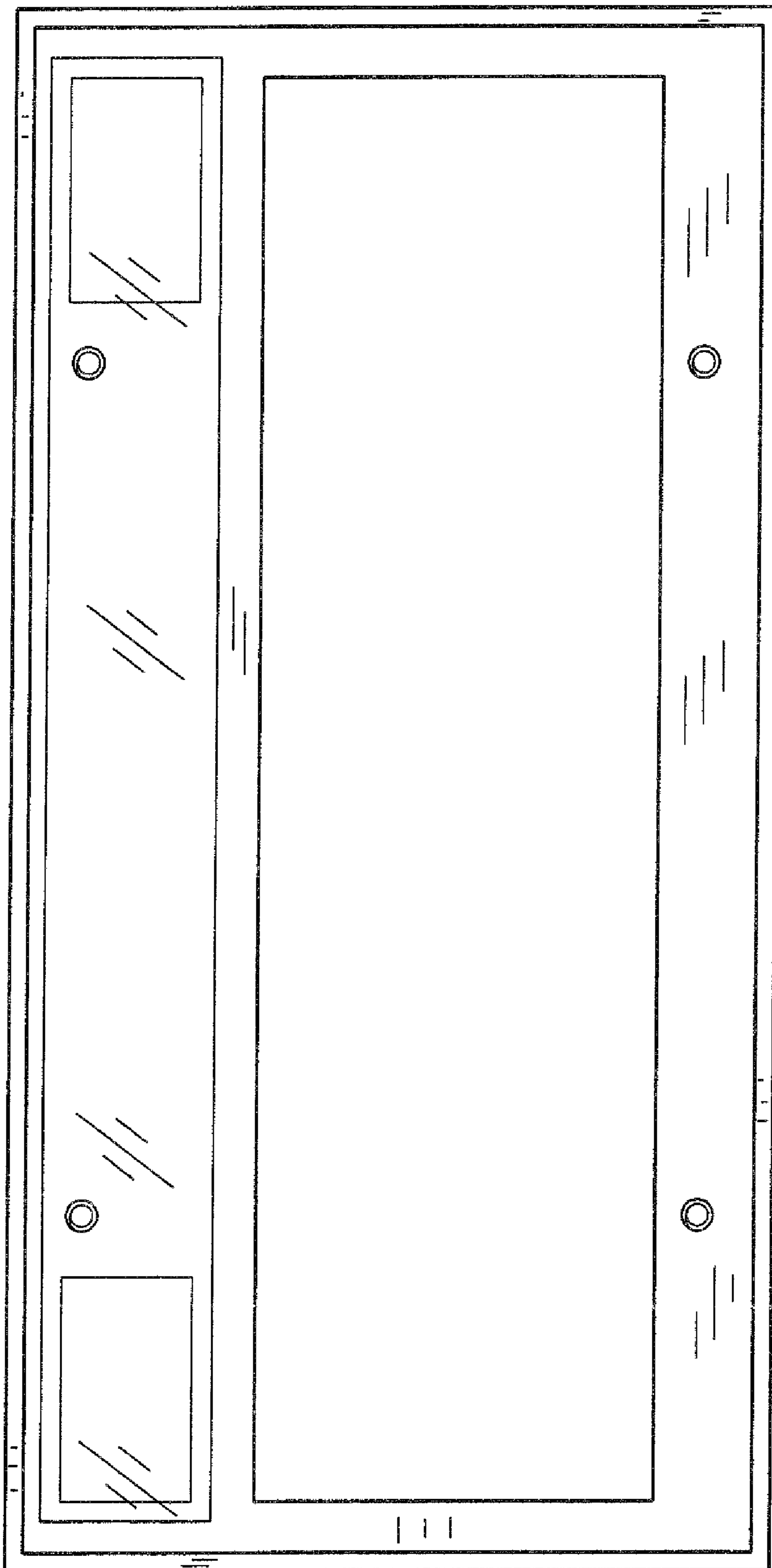


FIG. 3



FIG. 4

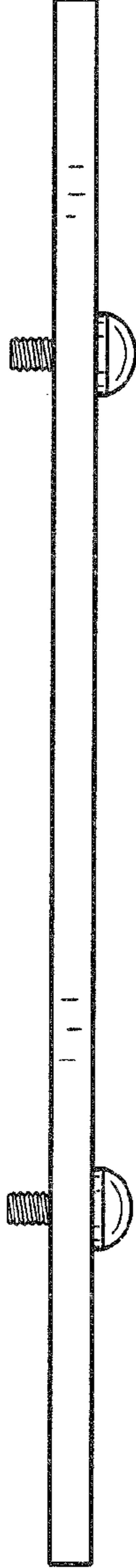


FIG. 5