



US00D591651S

(12) **United States Design Patent**  
**Shelby**

(10) **Patent No.:** **US D591,651 S**

(45) **Date of Patent:** **\*\* May 5, 2009**

(54) **AUTOMOBILE HOOD**

D510,551 S \* 10/2005 Mays et al. .... D12/173  
D525,575 S \* 7/2006 Matei et al. .... D12/196  
D529,420 S \* 10/2006 Chiang ..... D12/173

(75) Inventor: **Carroll Hall Shelby**, Los Angeles, CA  
(US)

(73) Assignee: **Shelby Automobiles, Inc.**, Gardena, CA  
(US)

\* cited by examiner

*Primary Examiner*—Melody N Brown

(74) *Attorney, Agent, or Firm*—Edward A. Sokolski

(\*\*) Term: **14 Years**

(21) Appl. No.: **29/285,951**

(57) **CLAIM**

(22) Filed: **Apr. 16, 2007**

The ornamental design for an automobile hood, as shown and described.

(51) **LOC (9) Cl.** ..... **12-16**

(52) **U.S. Cl.** ..... **D12/173**

(58) **Field of Classification Search** ..... D12/173,  
D12/96, 90-92; 180/69.2, 69.21, 69.22,  
180/69.25

See application file for complete search history.

**DESCRIPTION**

FIG. 1 is a front elevation view of an automobile hood showing my new design, the broken lines are for illustrative purposes only and form no part of the claimed design;

FIG. 2 is a top plan view thereof;

FIG. 3 is a side elevation view thereof; and,

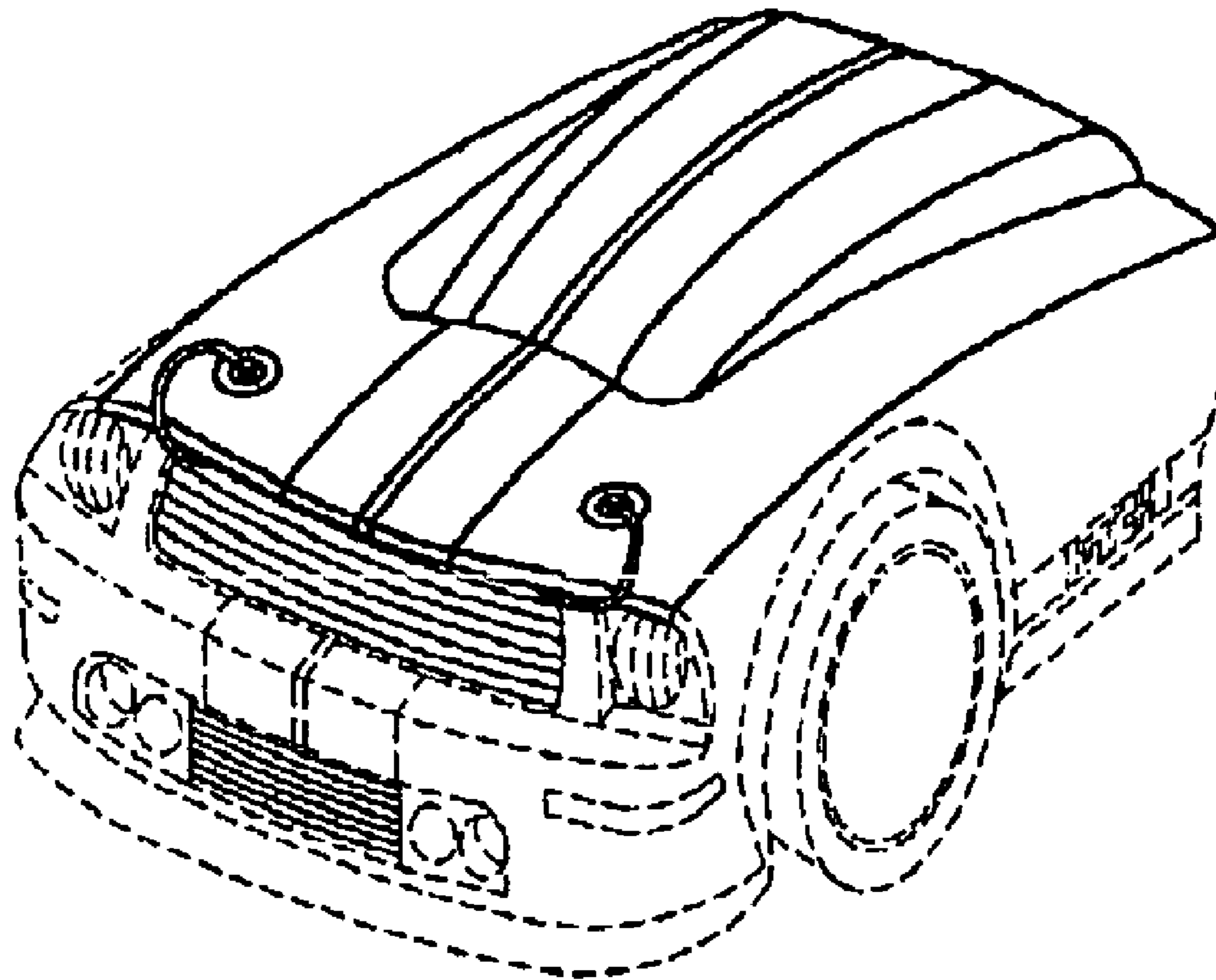
FIG. 4 is a front perspective view thereof.

(56) **References Cited**

**U.S. PATENT DOCUMENTS**

D466,057 S \* 11/2002 Hapgood ..... D12/173  
D510,550 S \* 10/2005 Chiang ..... D12/173

**1 Claim, 1 Drawing Sheet**



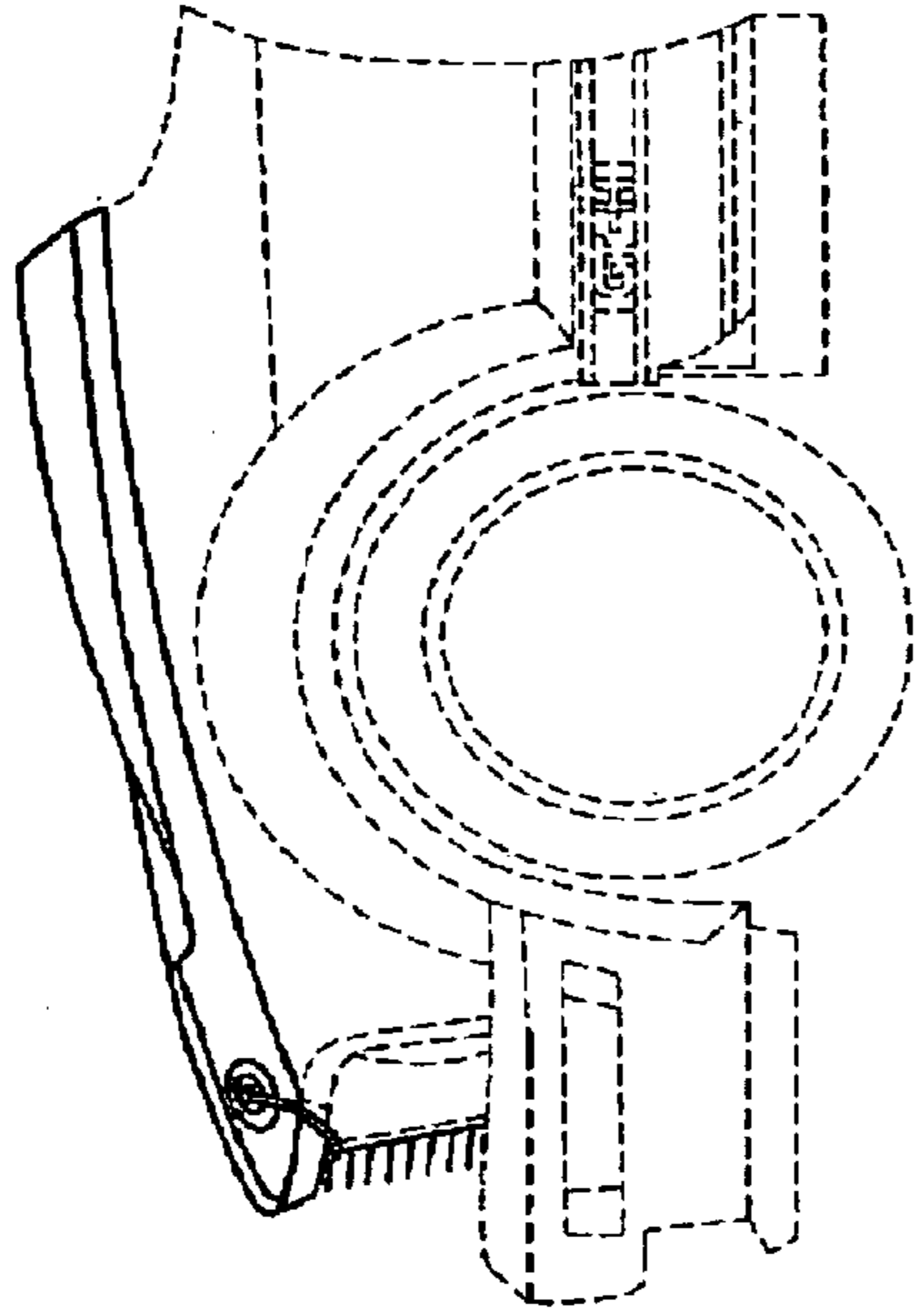


FIG. 3

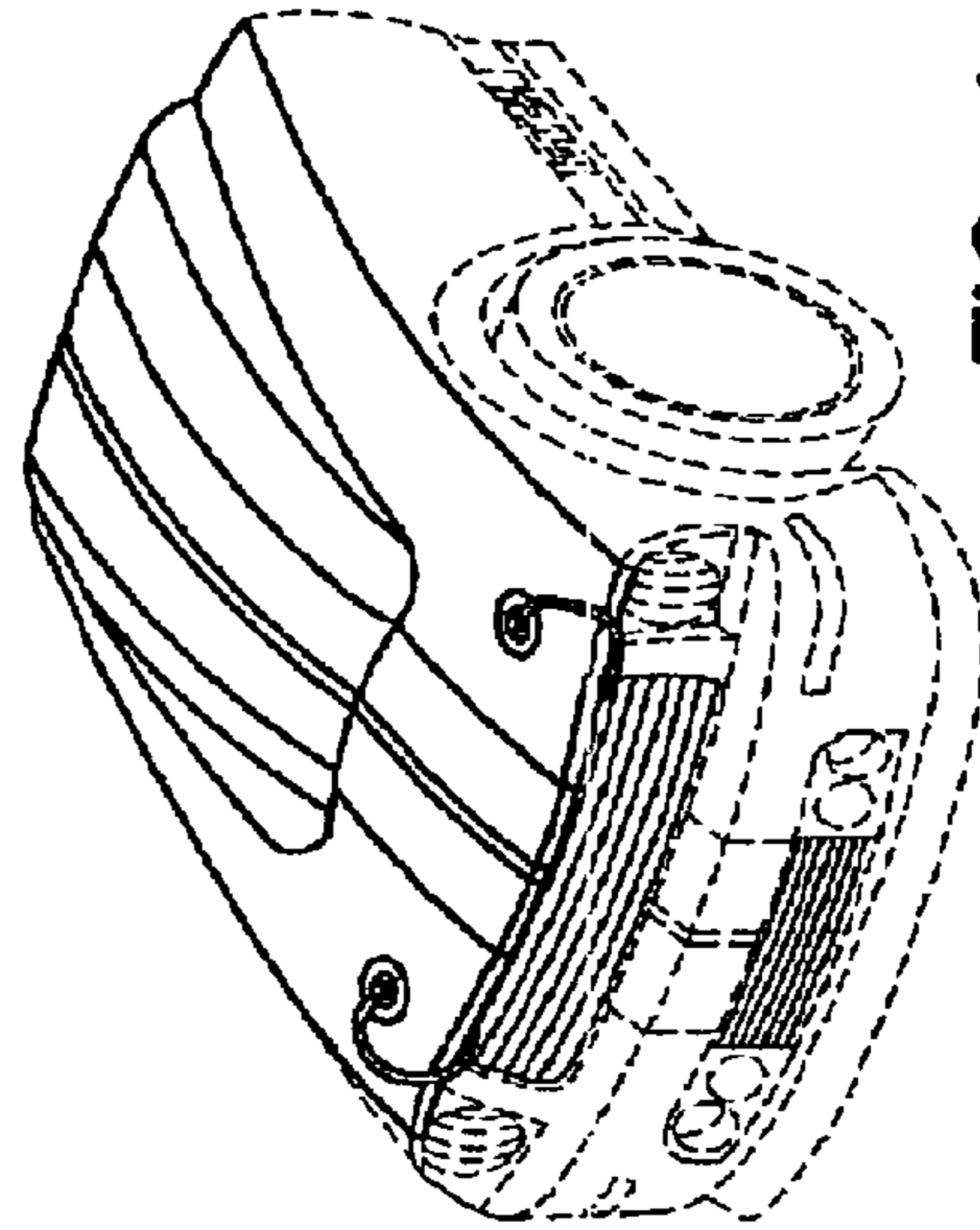


FIG. 4

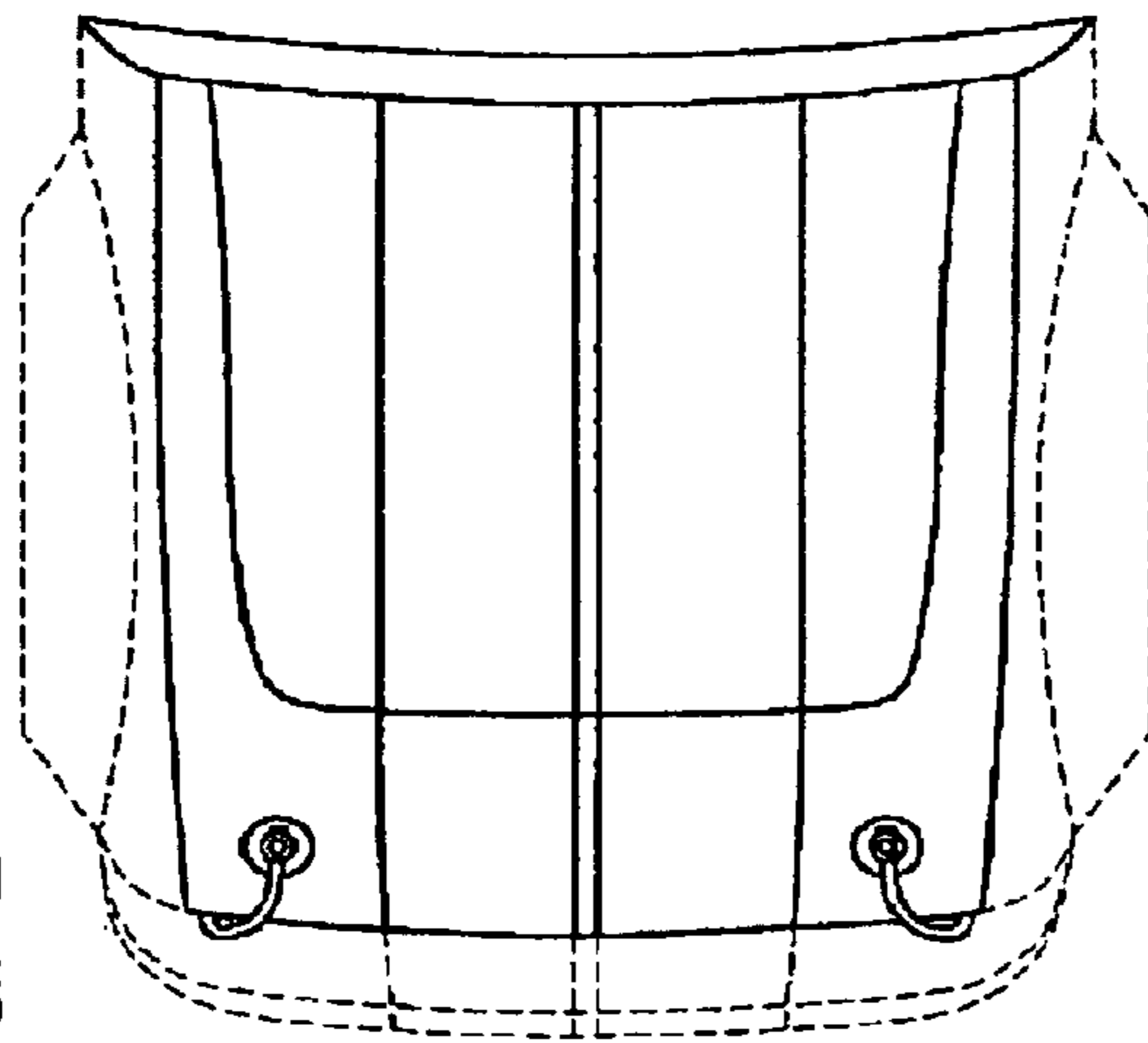


FIG. 2

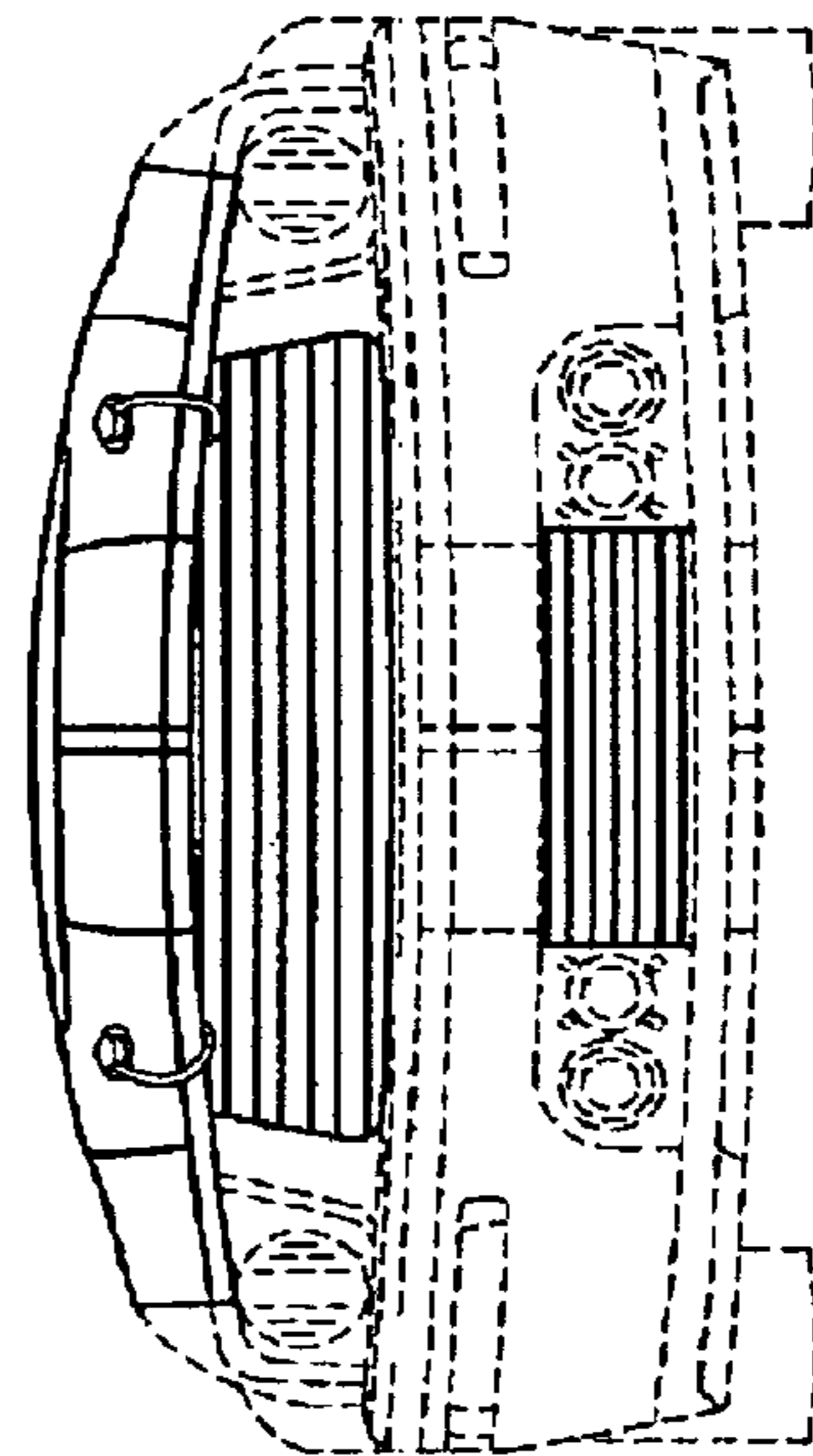


FIG. 1