



US00D591649S

(12) **United States Design Patent**  
**Koshes et al.**

(10) **Patent No.:** **US D591,649 S**

(45) **Date of Patent:** **\*\* May 5, 2009**

(54) **STORAGE RACK FOR WALKERS**

D514,034 S \* 1/2006 Richardson ..... D12/115

(76) Inventors: **Siri Koshes**, 8378 Shadow Pine Way,  
Sarasota, FL (US) 34238; **Kim**  
**McCloughan**, 8378 Shadow Pine Way,  
Sarasota, FL (US) 34238

\* cited by examiner

*Primary Examiner*—Robin V Webster

*Assistant Examiner*—Linda Brooks

(\*\*) Term: **14 Years**

(57) **CLAIM**

(21) Appl. No.: **29/324,857**

The ornamental design for a storage rack for walkers, as shown and described.

(22) Filed: **Sep. 22, 2008**

**DESCRIPTION**

(51) **LOC (9) Cl.** ..... **12-11**

FIG. 1 is a front elevation view of a storage rack for walkers showing our new design;

(52) **U.S. Cl.** ..... **D12/115**

FIG. 2 is a rear elevation view thereof;

(58) **Field of Classification Search** ..... D12/115,  
D12/120, 406, 407, 133; 248/176.1, 153,  
248/175, 157, 177.1, 163.1; 211/5, 17-22,  
211/181.1, 13.1, 85.13; D6/462

FIG. 3 is a right elevation view thereof, the opposite side being a mirror image of the shown;

See application file for complete search history.

FIG. 4 is a top plan view thereof;

FIG. 5 is a bottom plan view thereof; and,

FIG. 6 is an isometric view of a storage rack for walkers.

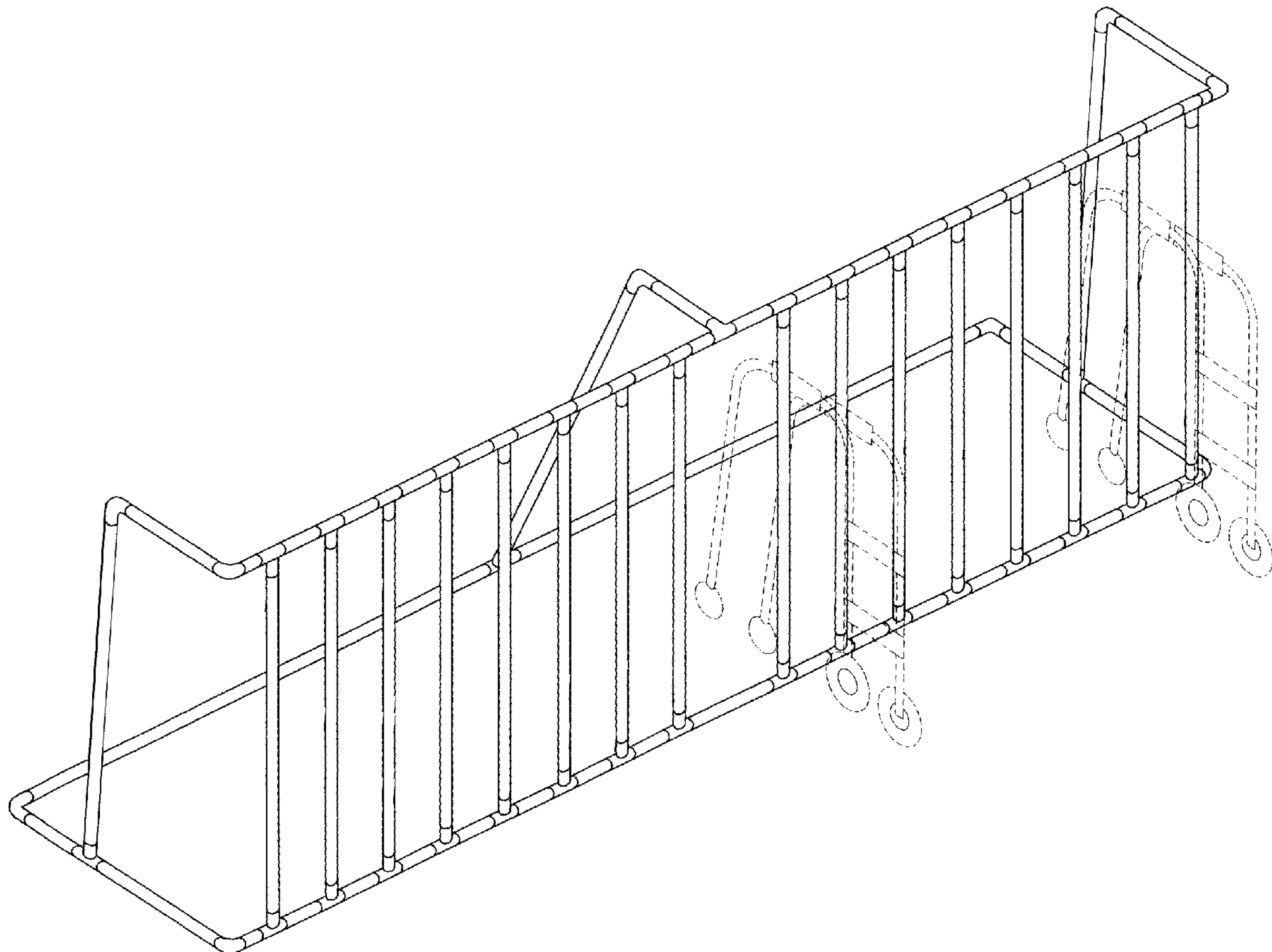
The broken lines shown in FIG. 6 are for illustrative purposes only and form no part of the claimed design.

(56) **References Cited**

**U.S. PATENT DOCUMENTS**

3,785,500 A	1/1974	Kennelly
5,133,461 A	7/1992	Martinell
D369,576 S	5/1996	Johnson et al.

**1 Claim, 5 Drawing Sheets**



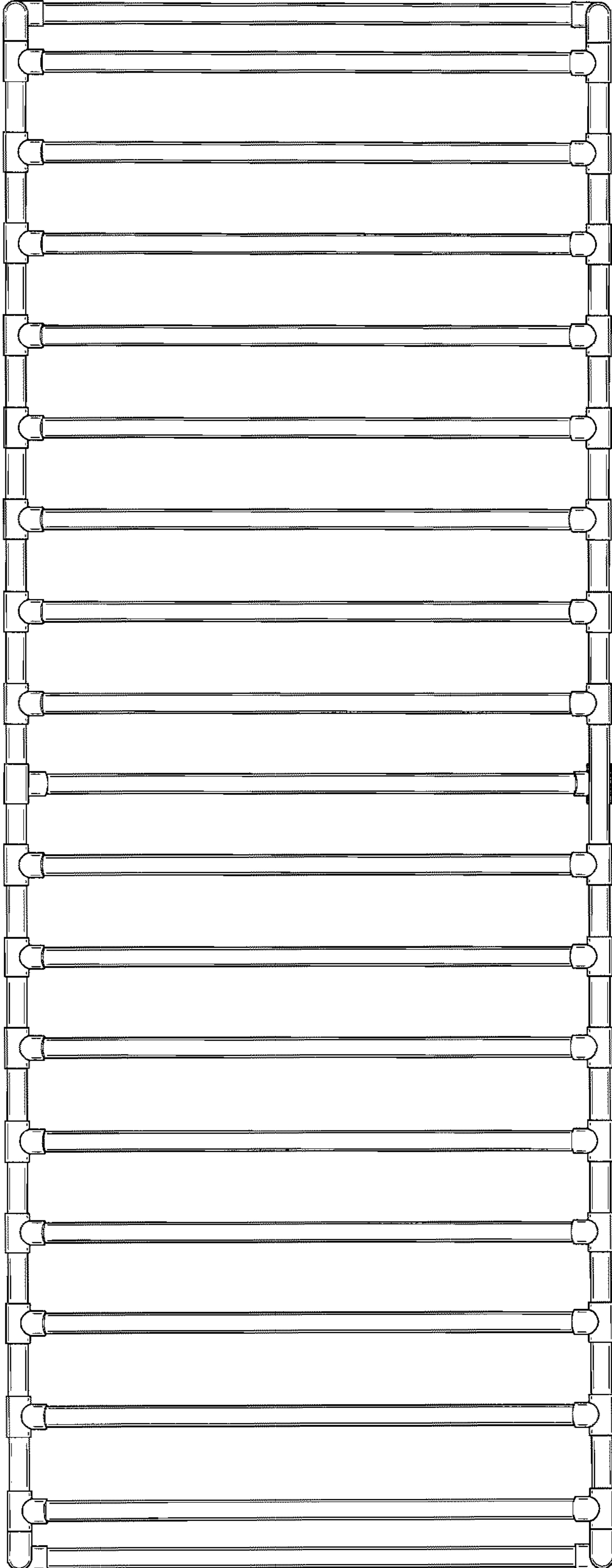


FIG. 1

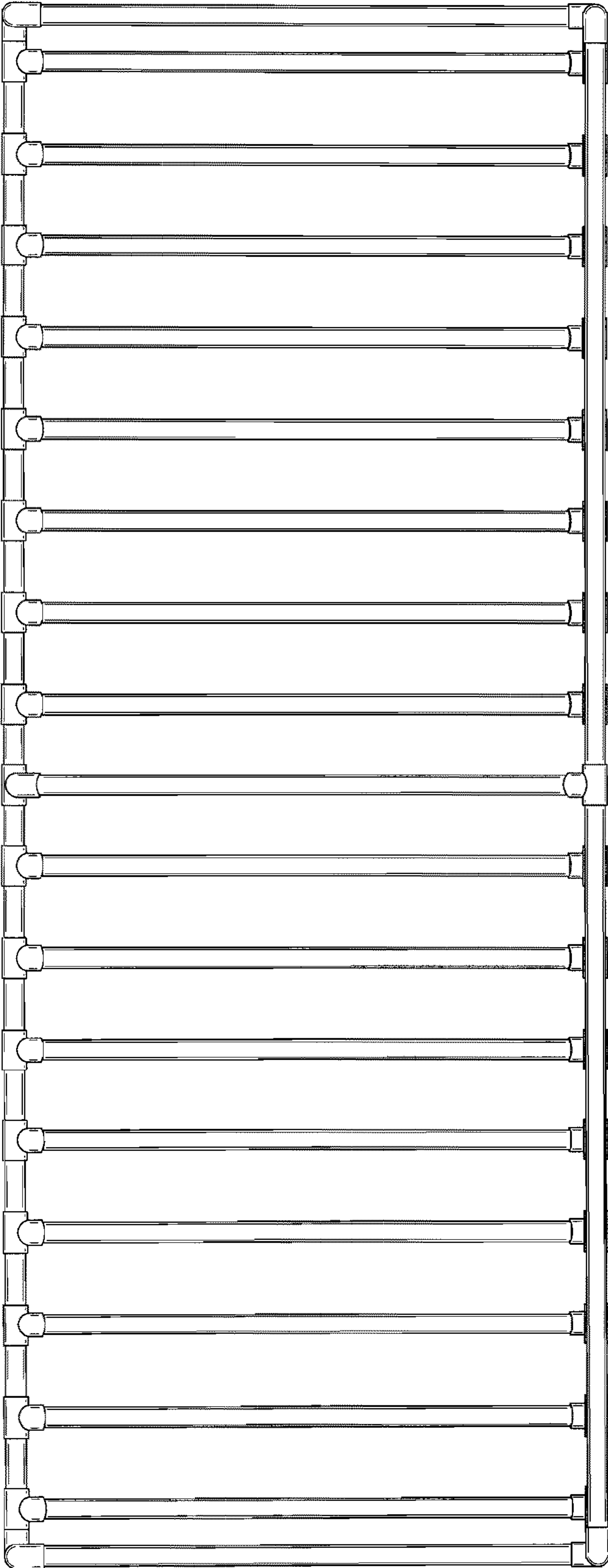


FIG. 2

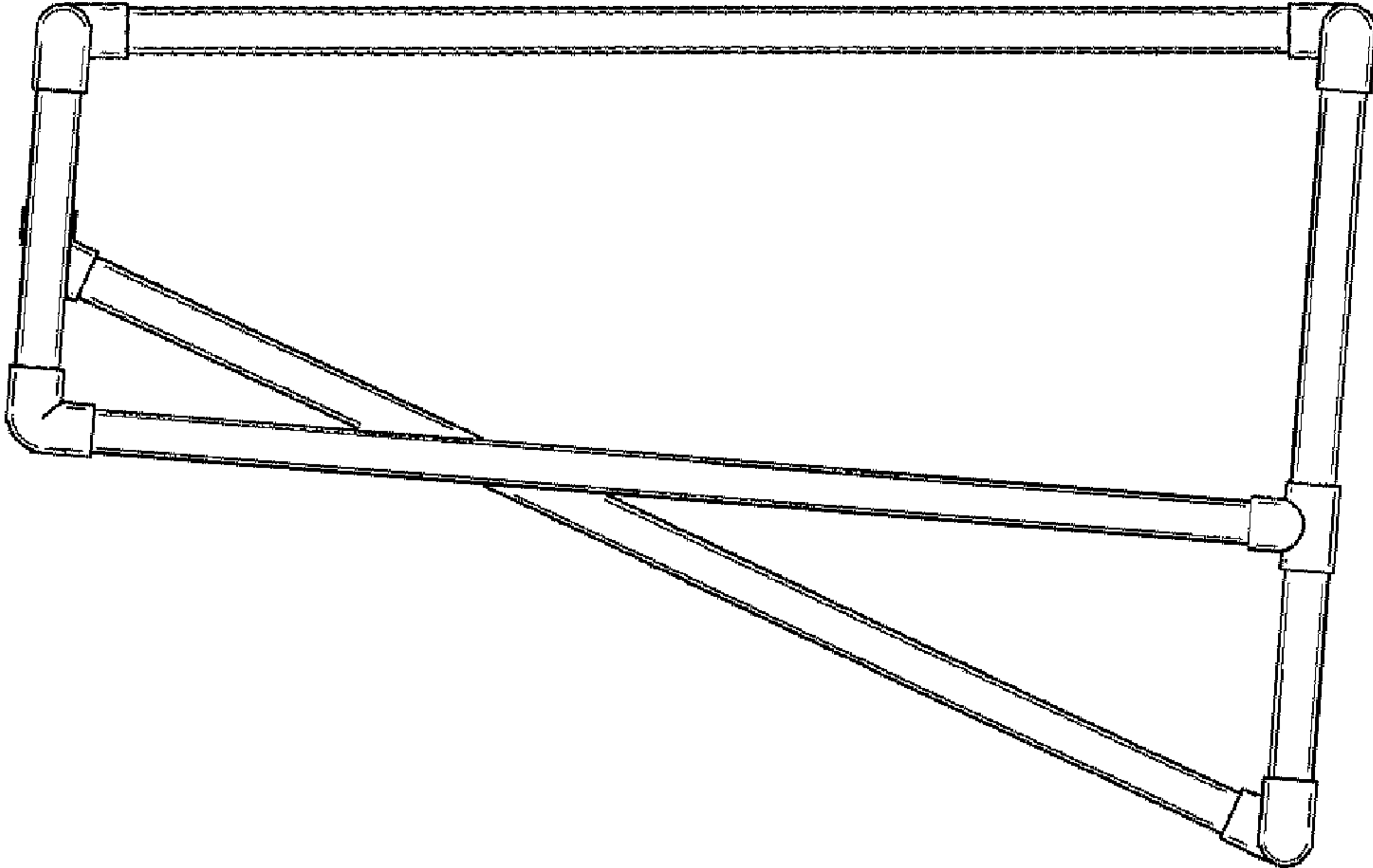


FIG. 3

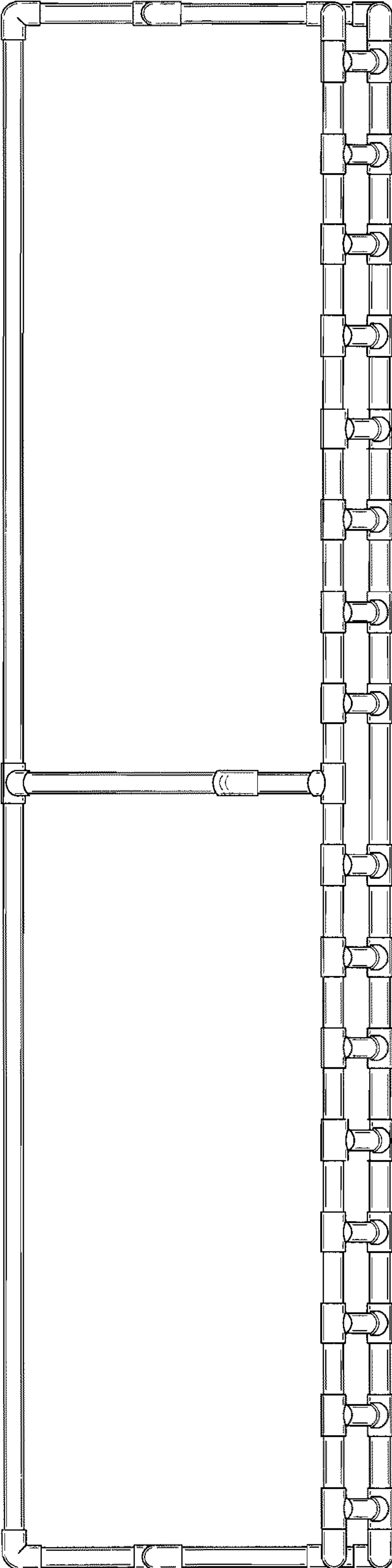


FIG. 4

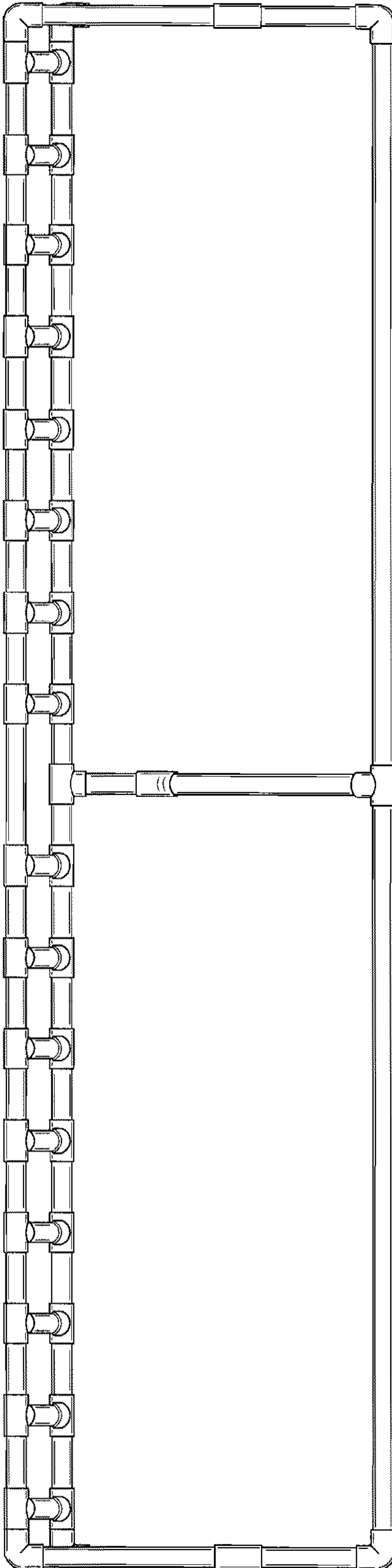


FIG. 5



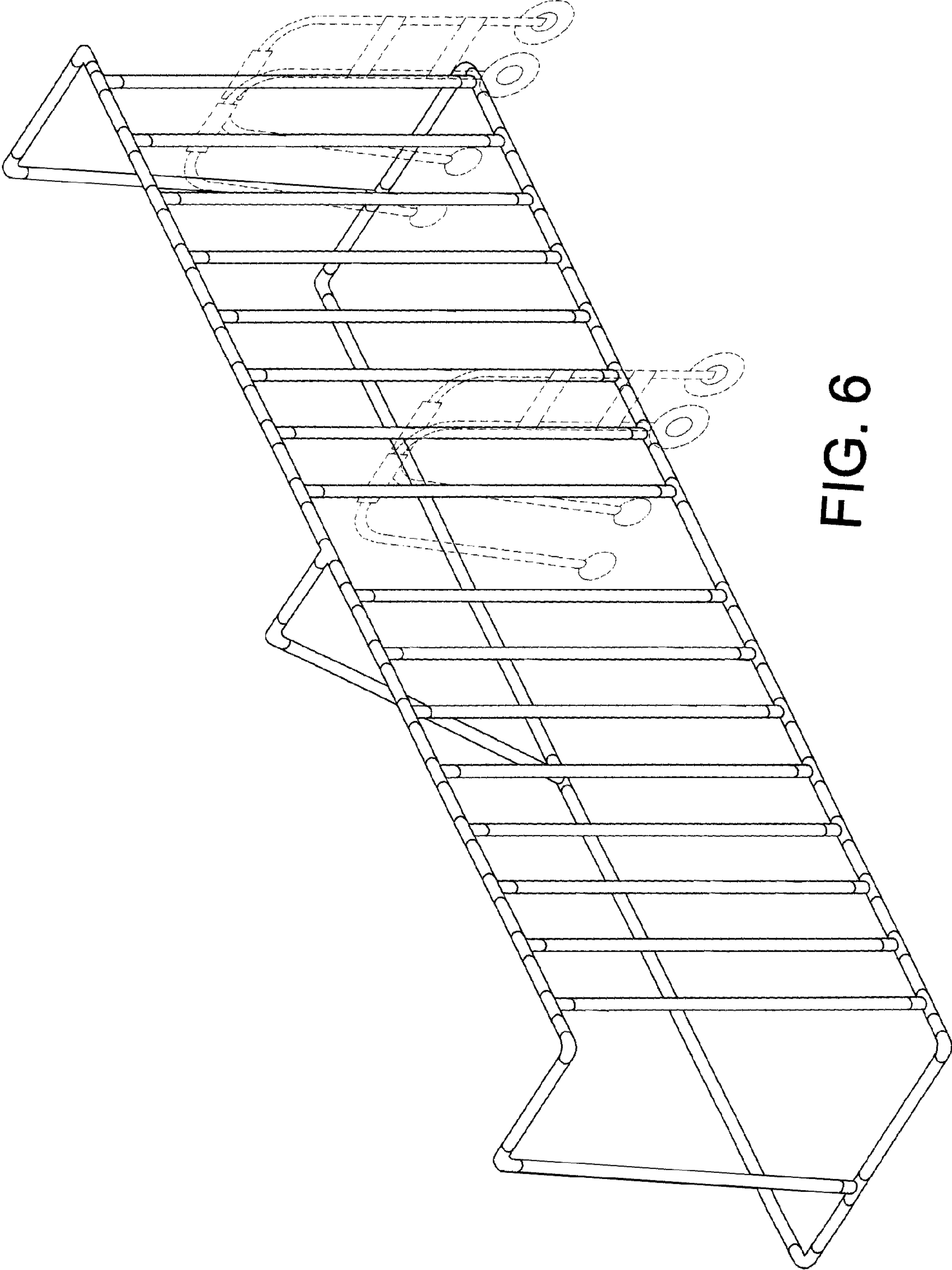


FIG. 6