



US00D591643S

(12) **United States Design Patent**  
**Tuo**

(10) **Patent No.:** **US D591,643 S**  
(45) **Date of Patent:** **\*\* May 5, 2009**

(54) **FRONT BUMPER FOR A VEHICLE**

(75) Inventor: **Xinyong Tuo**, Suzhou (CN)

(73) Assignee: **Suzhou Eagle Electric Vehicle Manufacturing Co., Ltd.**, Suzhou (CN)

(\*\*) Term: **14 Years**

(21) Appl. No.: **29/272,297**

(22) Filed: **Feb. 6, 2007**

(51) **LOC (9) Cl.** ..... **12-02**

(52) **U.S. Cl.** ..... **D12/16; D12/169**

(58) **Field of Classification Search** ..... D12/16,  
D12/173, 164, 196, 87, 86, 1, 433, 15, 107,  
D12/82, 88, 89, 90, 91, 92, 93, 167, 163,  
D12/169; D15/30; D21/803; 180/233, 908;  
280/DIG. 5, 183, 184, 185, 186, 28, 37.7

See application file for complete search history.

(56) **References Cited**

**U.S. PATENT DOCUMENTS**

D236,098 S *	7/1975	Bedel	.....	D12/16
D245,242 S	8/1977	Stolley		
D245,592 S	8/1977	Davidson		
D255,558 S	6/1980	Ekuan		
D269,007 S	5/1983	Rastegar		
D271,008 S *	10/1983	Saporito	.....	D12/16
D319,203 S	8/1991	Tisten et al.		
D320,580 S	10/1991	Kim		
D326,831 S *	6/1992	Lanius et al.	.....	D12/16
D345,717 S	4/1994	Molzon et al.		
D345,718 S *	4/1994	Molzon et al.	.....	D12/16
D369,762 S *	5/1996	Molzon et al.	.....	D12/16
D373,099 S *	8/1996	Molzon et al.	.....	D12/16
D394,637 S	5/1998	Camiano		
D395,023 S	6/1998	Hikida		
5,836,412 A *	11/1998	Lyles et al.	.....	180/65.1
D424,982 S *	5/2000	Deutschman	.....	D12/107
D431,018 S	9/2000	Maypole		
D435,509 S	12/2000	Hickman		

D444,762 S	7/2001	Werle et al.		
D449,806 S *	10/2001	VanderMolen	.....	D12/164
6,302,440 B1 *	10/2001	Goodstein	.....	280/762
D453,727 S	2/2002	Shugar et al.		
6,547,304 B1	4/2003	Conner et al.		
6,601,745 B2 *	8/2003	Tyrer	.....	224/274
D483,079 S *	12/2003	Wang et al.	.....	D21/433
D486,432 S	2/2004	Chan		
D497,872 S	11/2004	Bonner et al.		
D498,704 S *	11/2004	Bonner et al.	.....	D12/16
D502,132 S *	2/2005	Bonner et al.	.....	D12/196
D502,899 S	3/2005	Mino et al.		
D503,905 S *	4/2005	Saito et al.	.....	D12/1
D514,981 S	2/2006	Andrews et al.		
D514,990 S	2/2006	Nagashima		
D523,382 S	6/2006	Truebsbach		
D534,106 S	12/2006	Matei		
D535,922 S	1/2007	Kulla		
D536,285 S	2/2007	Sycha		
D537,021 S	2/2007	Pfeiffer		
D539,711 S	4/2007	Fujimaki		

\* cited by examiner

*Primary Examiner*—T. Chase Nelson

*Assistant Examiner*—Ania K Dworzecka

(74) *Attorney, Agent, or Firm*—Oliff & Berridge, PLC

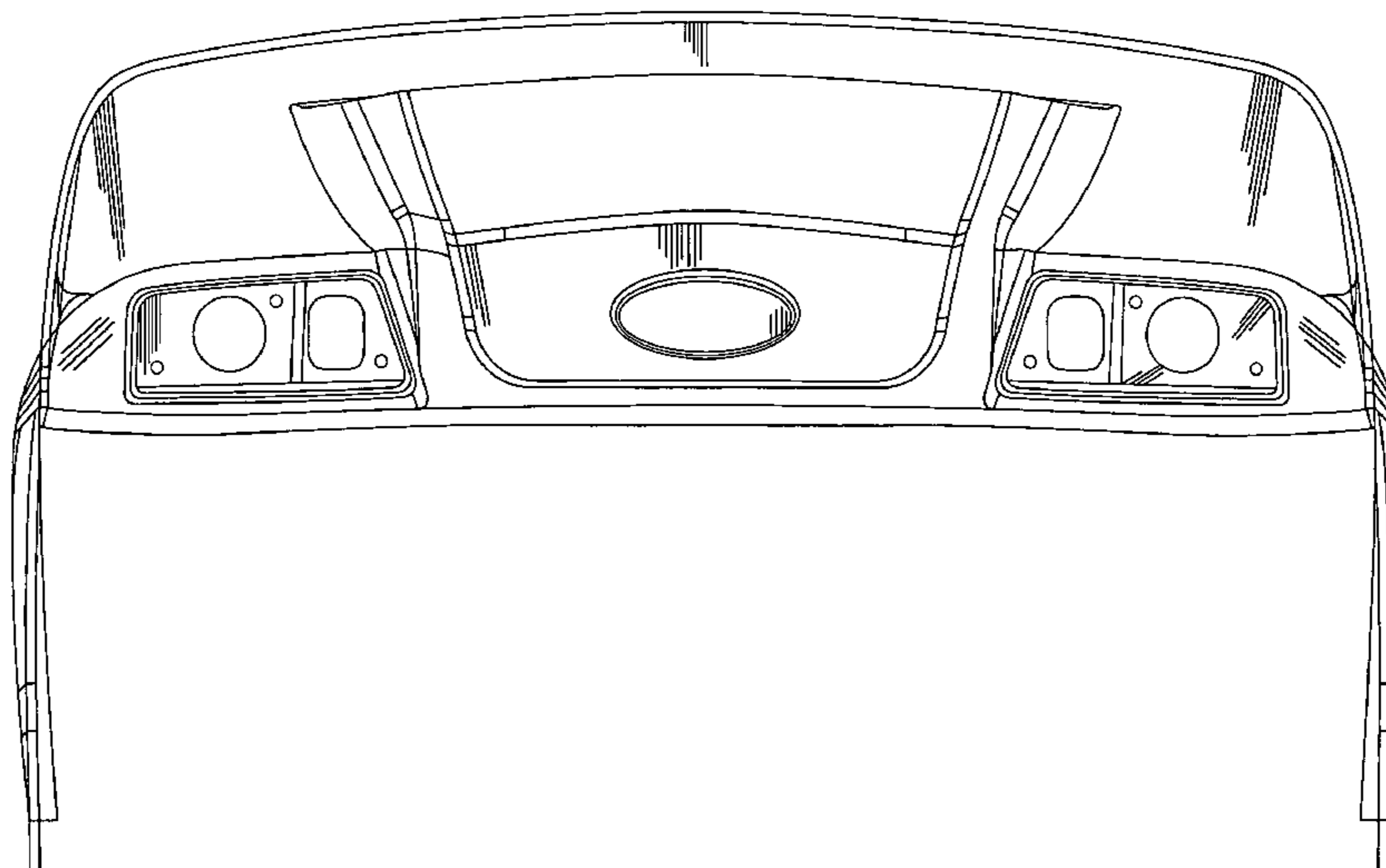
(57) **CLAIM**

The ornamental design for a front bumper for a vehicle, as shown and described.

**DESCRIPTION**

FIG. 1 is a perspective view of a front bumper for a vehicle;  
FIG. 2 is a rear view thereof;  
FIG. 3 is a top view thereof;  
FIG. 4 is a right side view thereof;  
FIG. 5 is a left side view thereof; and,  
FIG. 6 is a front view thereof.

**1 Claim, 6 Drawing Sheets**



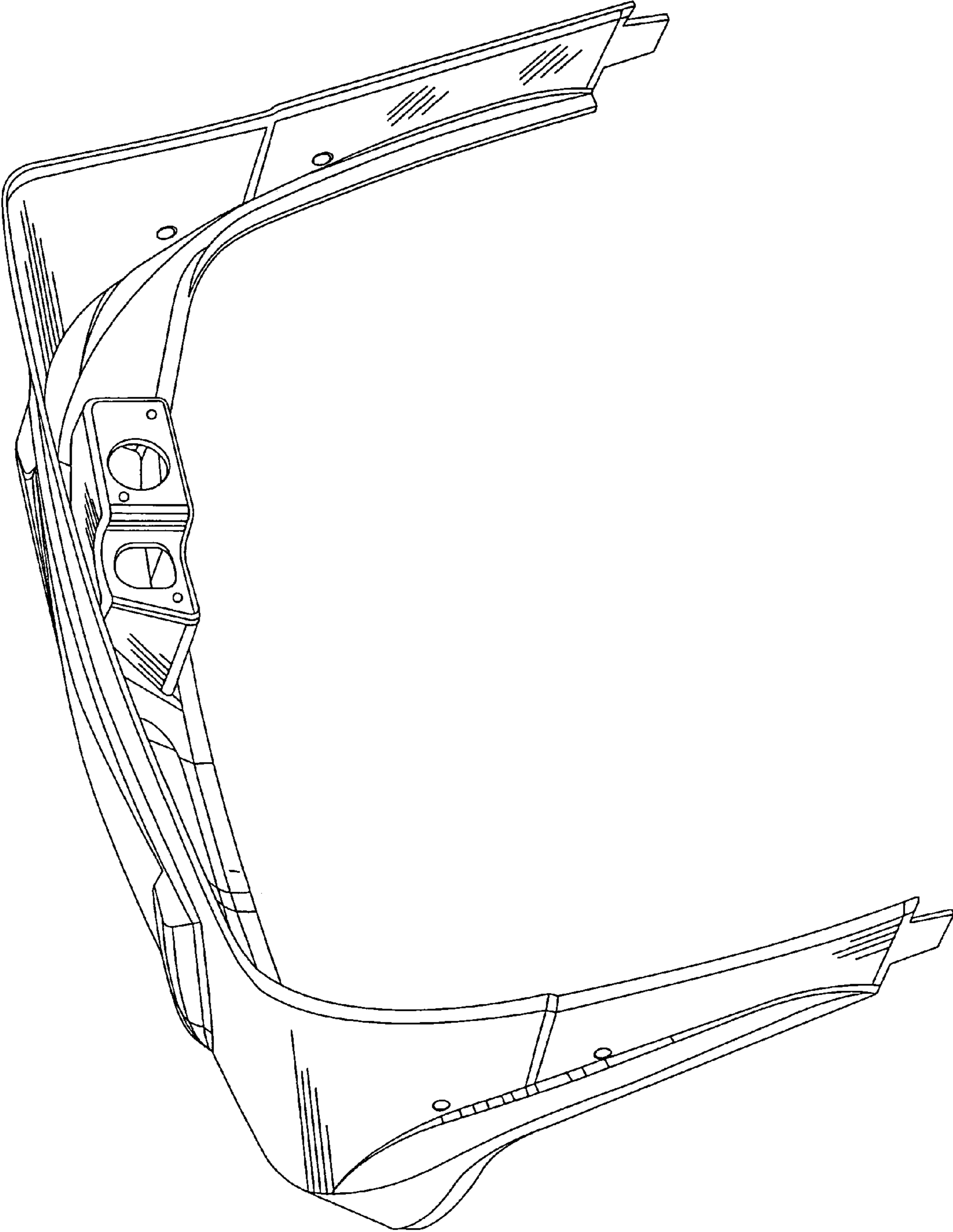


FIG. 1

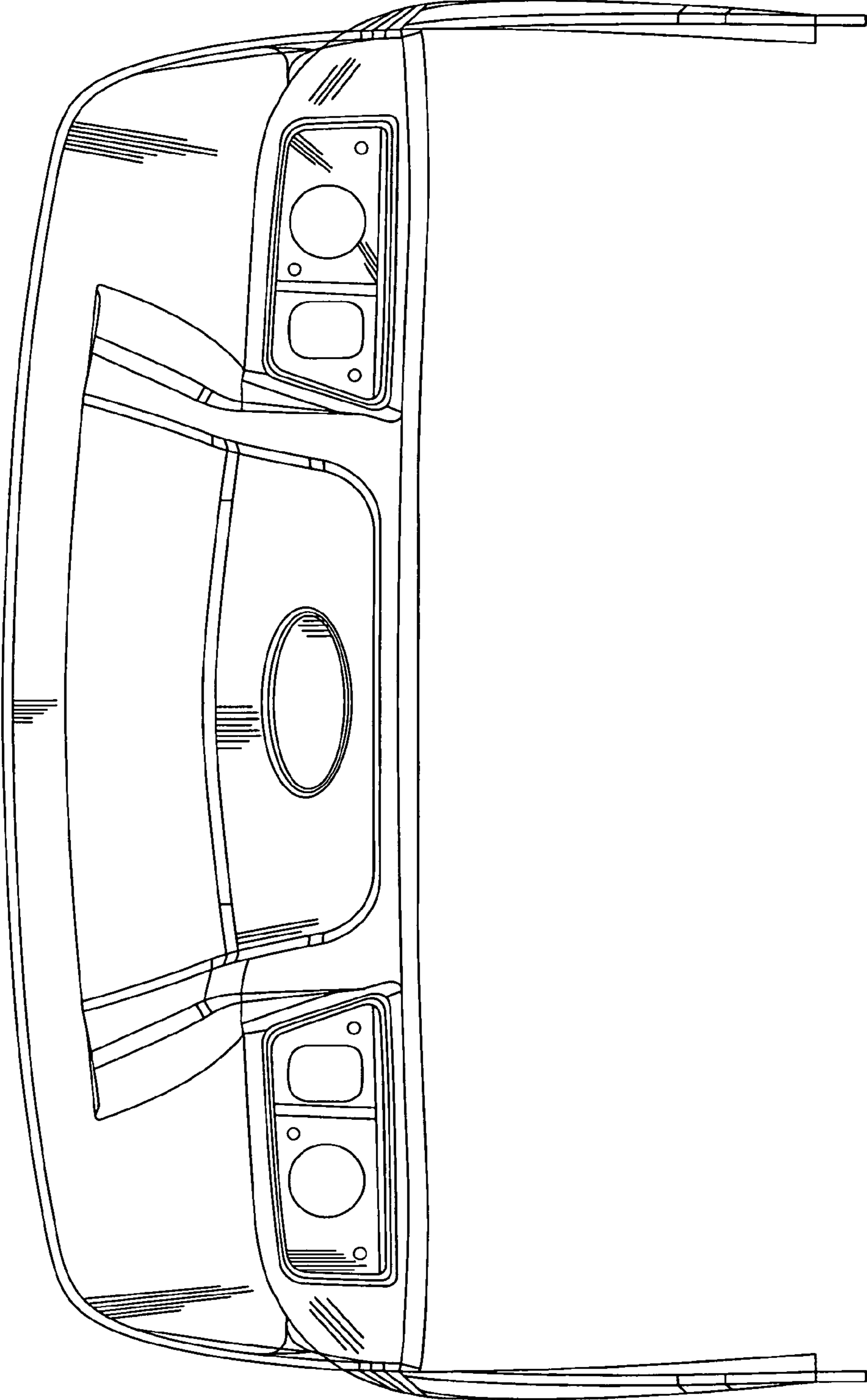


FIG. 2

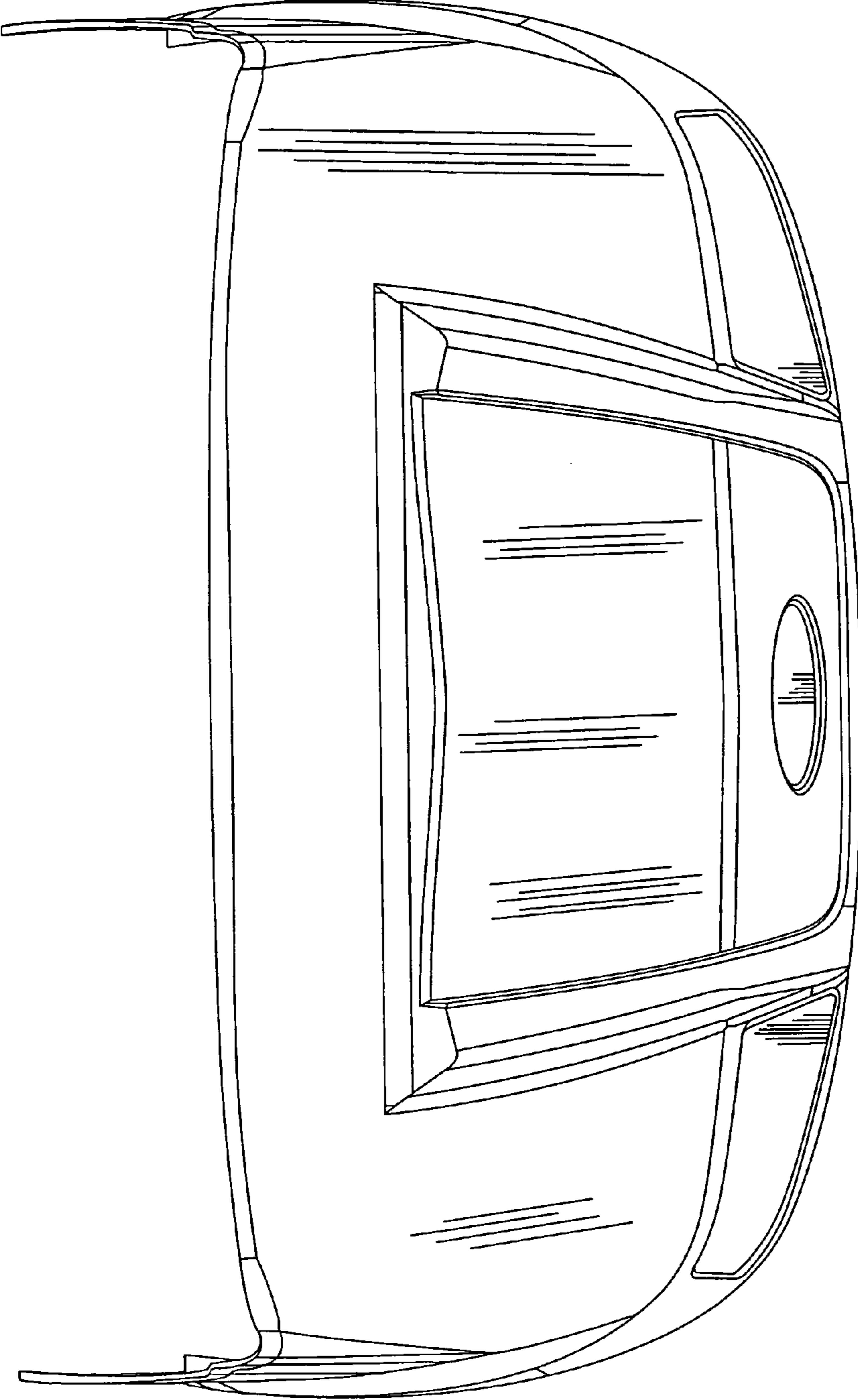


FIG. 3

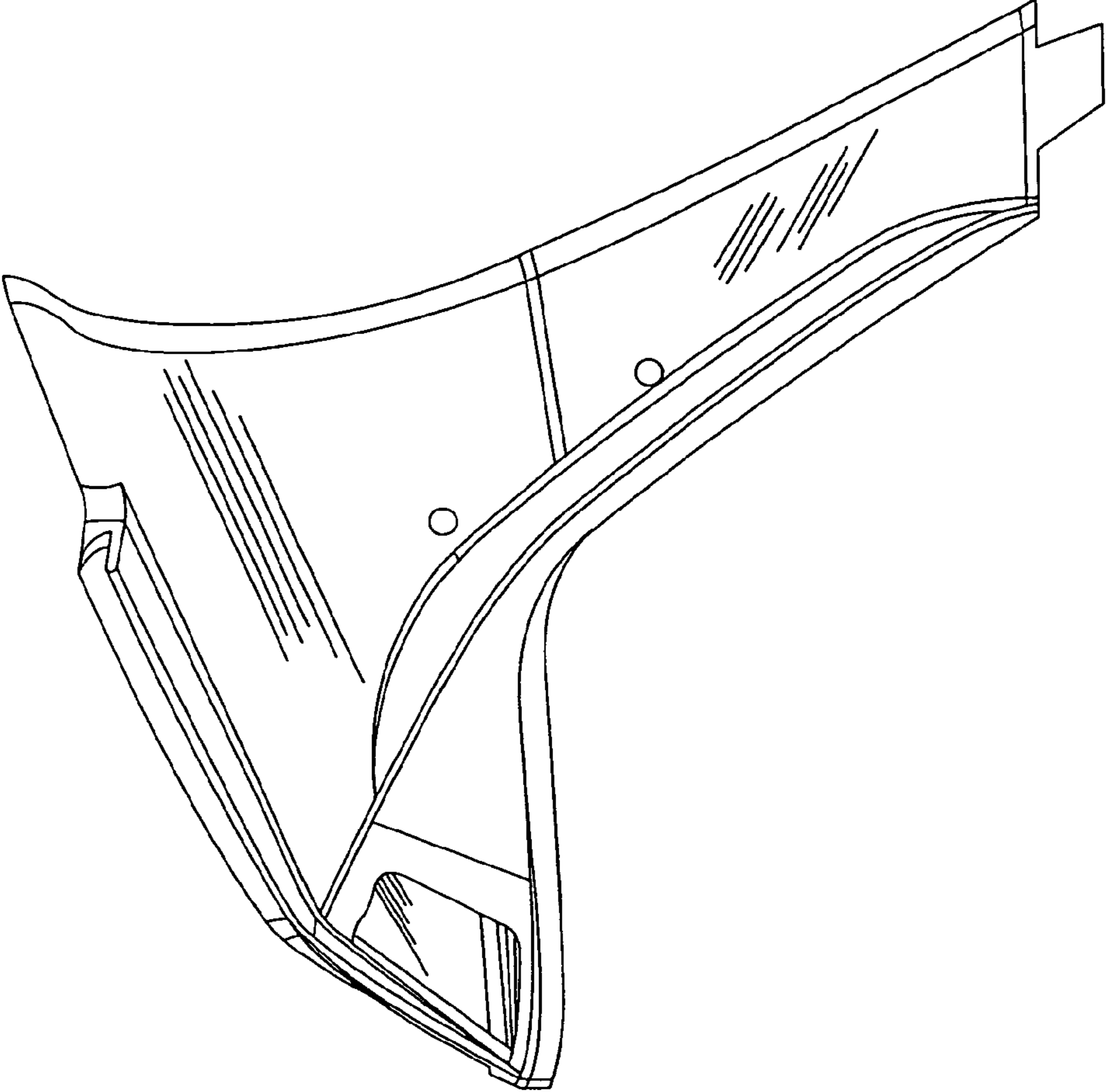


FIG. 4

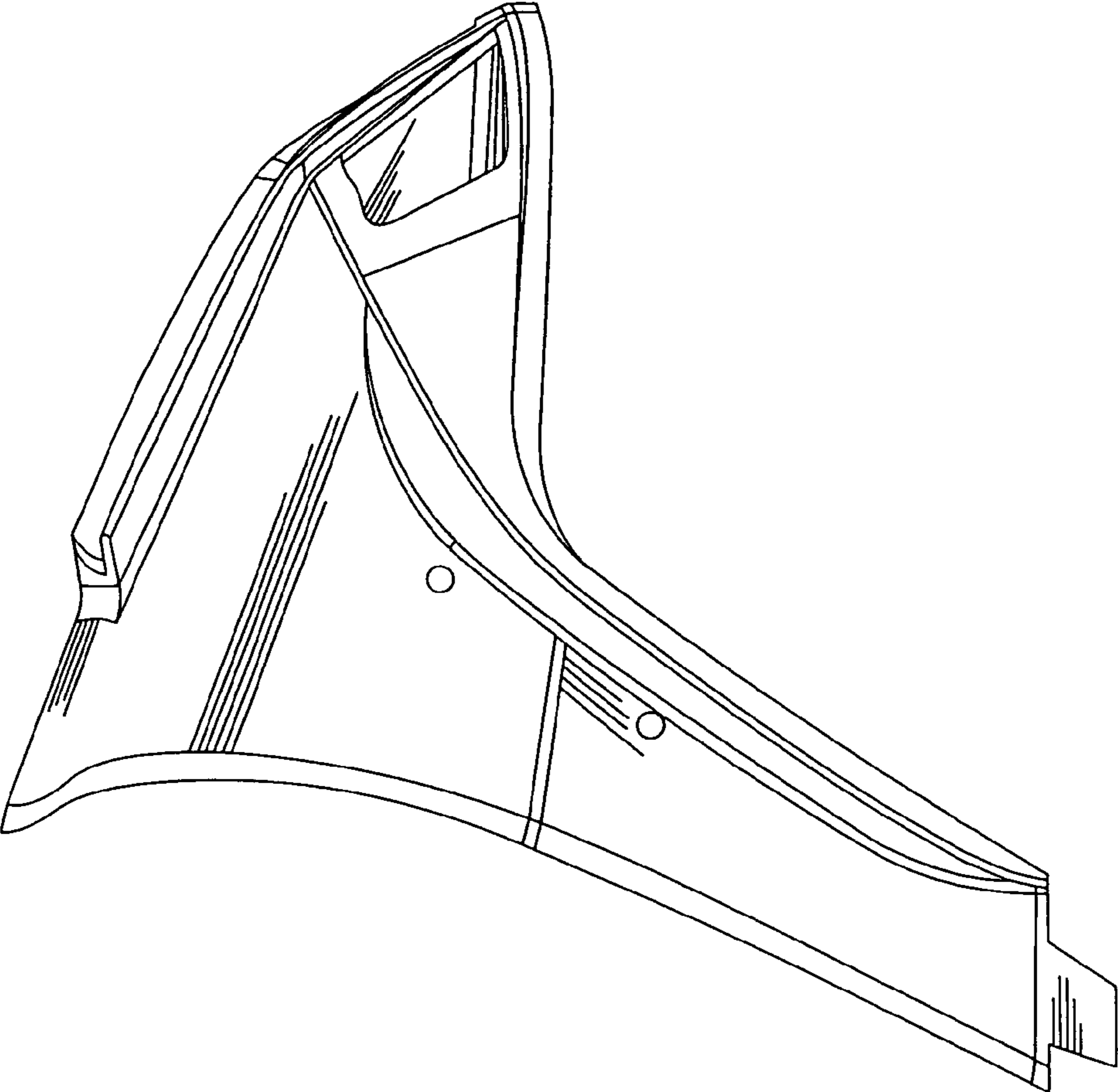


FIG. 5

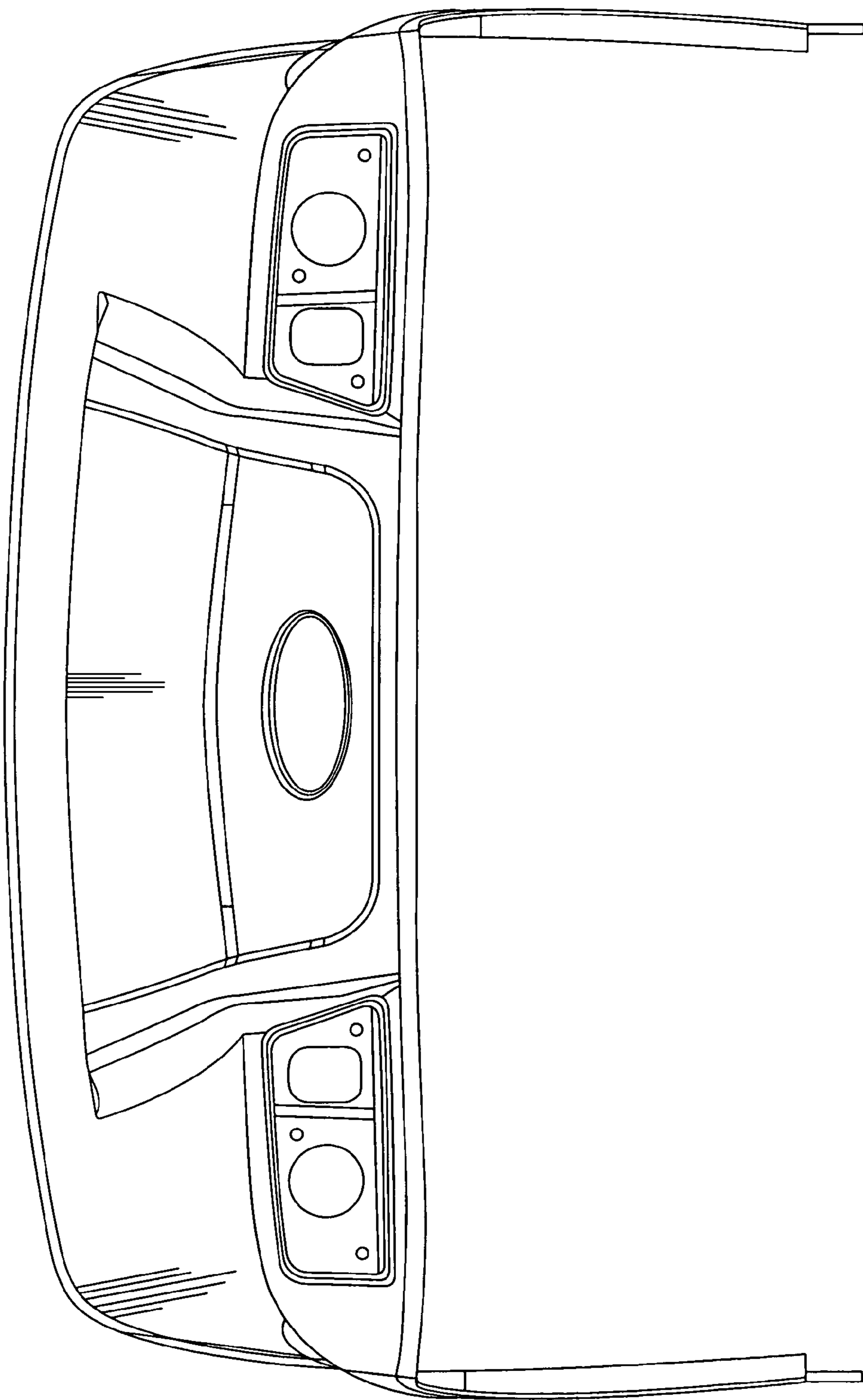


FIG. 6