

US00D591642S

(12) **United States Design Patent**
Henderson et al.

(10) **Patent No.:** **US D591,642 S**

(45) **Date of Patent:** **** May 5, 2009**

(54) **COMPOUND BUCKLE**

(75) Inventors: **Scott Henderson**, Brooklyn, NY (US);
Ellen D. Diamant, New York, NY (US);
Michael E. Diamant, New York, NY
(US); **Scott D. Kolasa**, Mt. Prospect, IL
(US)

(73) Assignee: **Skip Hop, Inc.**, New York, NY (US)

(**) Term: **14 Years**

(21) Appl. No.: **29/287,681**

(22) Filed: **Sep. 7, 2007**

(51) **LOC (9) Cl.** **02-07**

(52) **U.S. Cl.** **D11/216**

(58) **Field of Classification Search** D11/1-2,
D11/40-41, 43-50, 53, 56, 60, 63, 65, 67,
D11/75-78.1, 86, 89, 95-105, 108-109, 115-116;
63/1.11, 1.12, 1.13, 1.14, 1.16, 1.18, 13,
63/14.1, 35, 38, 39; 24/615, 591.1, 628,
24/634

See application file for complete search history.

(56) **References Cited**

U.S. PATENT DOCUMENTS

D291,668 S *	9/1987	Kasai	D11/216
D340,122 S *	10/1993	Wakabayashi	D11/218
D359,464 S *	6/1995	Grasso et al.	D11/216
D362,741 S *	10/1995	Hollinger	D2/639
6,052,875 A	4/2000	Uehara	
6,148,486 A	11/2000	Funoo et al.	
6,351,876 B1	3/2002	Uehara	

D469,382 S *	1/2003	Schmitz	D11/200
D472,500 S *	4/2003	Uehara et al.	D11/216
6,622,355 B2	9/2003	Buscart et al.	
D524,693 S	7/2006	Uehara et al.	
D524,694 S	7/2006	Funoo et al.	
D535,212 S	1/2007	Pontaoe	
D535,213 S	1/2007	Kolasa	
D535,214 S	1/2007	Kolasa	
D536,279 S *	2/2007	Grimm	D11/216

* cited by examiner

Primary Examiner—R. Seifert

(74) *Attorney, Agent, or Firm*—Stites & Harbison PLLC;
Douglas E. Jackson; Stephen J. Weyer

(57) **CLAIM**

We claim the ornamental design for a compound buckle, as shown and described.

DESCRIPTION

FIG. 1 is a top plan view of a compound buckle showing the new design;

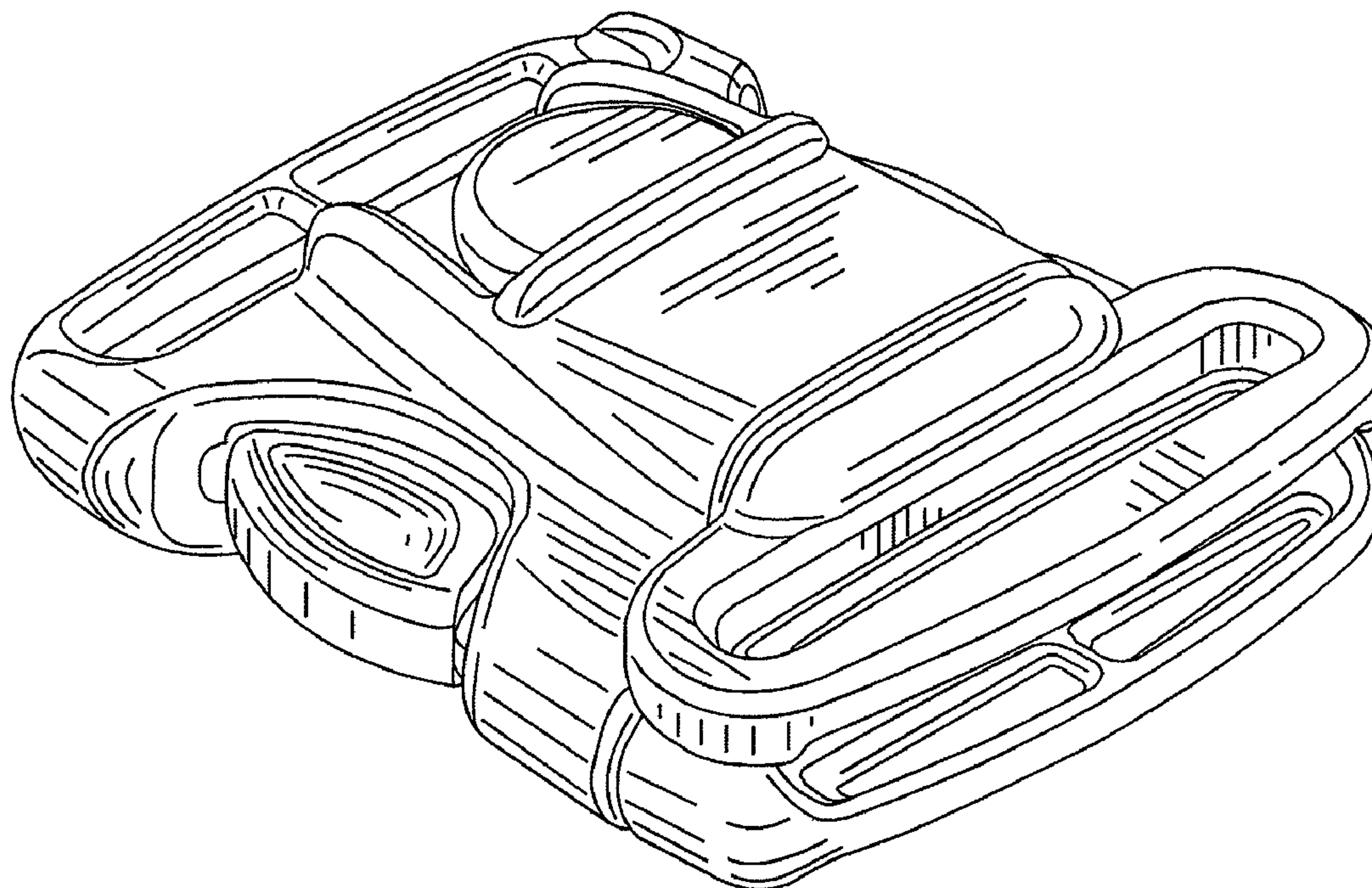
FIG. 2 is a front elevational view of the compound buckle of FIG. 1;

FIG. 3 is a left side elevational view of FIG. 1, the right side view being symmetric;

FIG. 4 is an exploded view of the compound buckle of FIG. 1; and,

FIG. 5 is a perspective view of the compound buckle of FIG. 1.

1 Claim, 4 Drawing Sheets



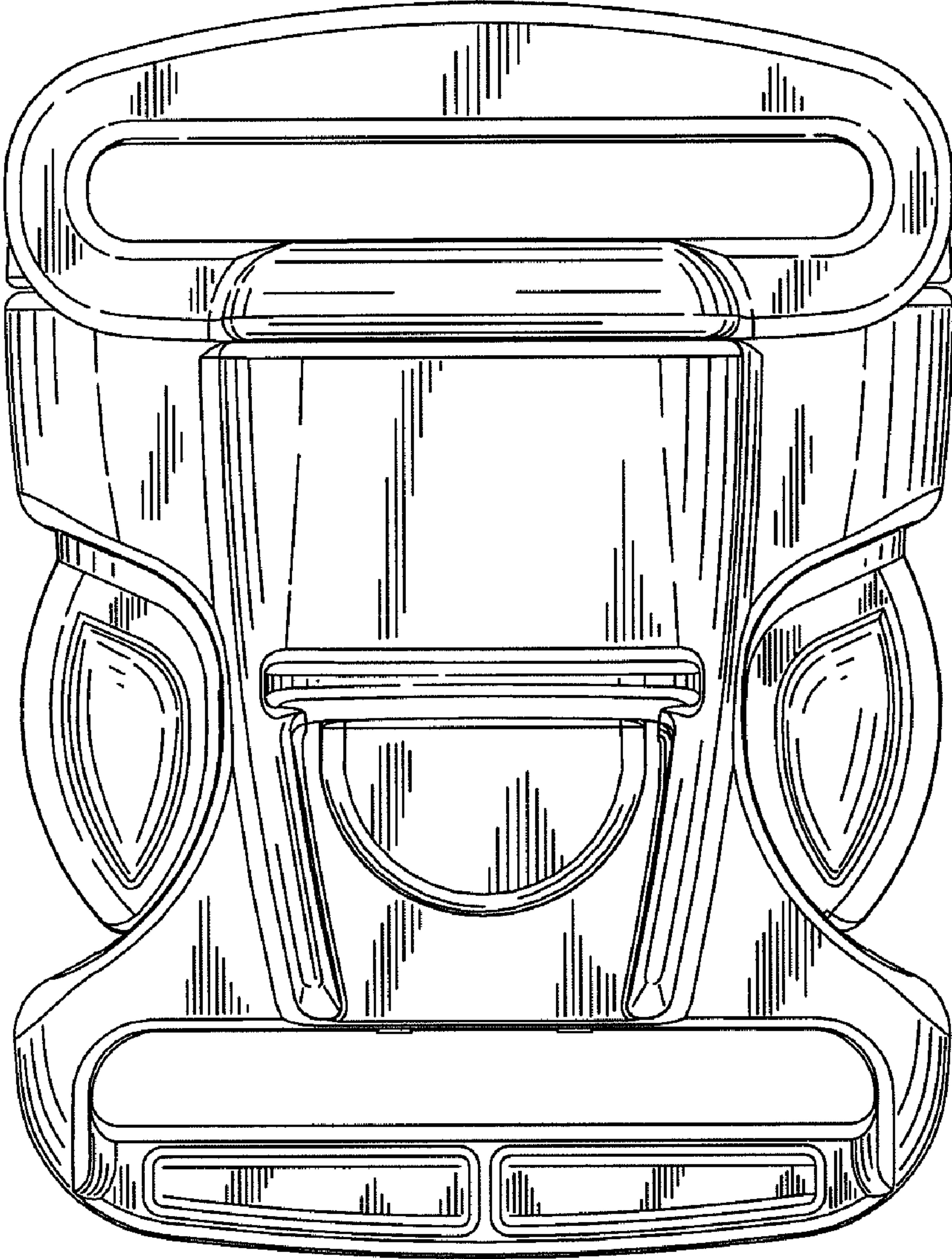


Fig. 1

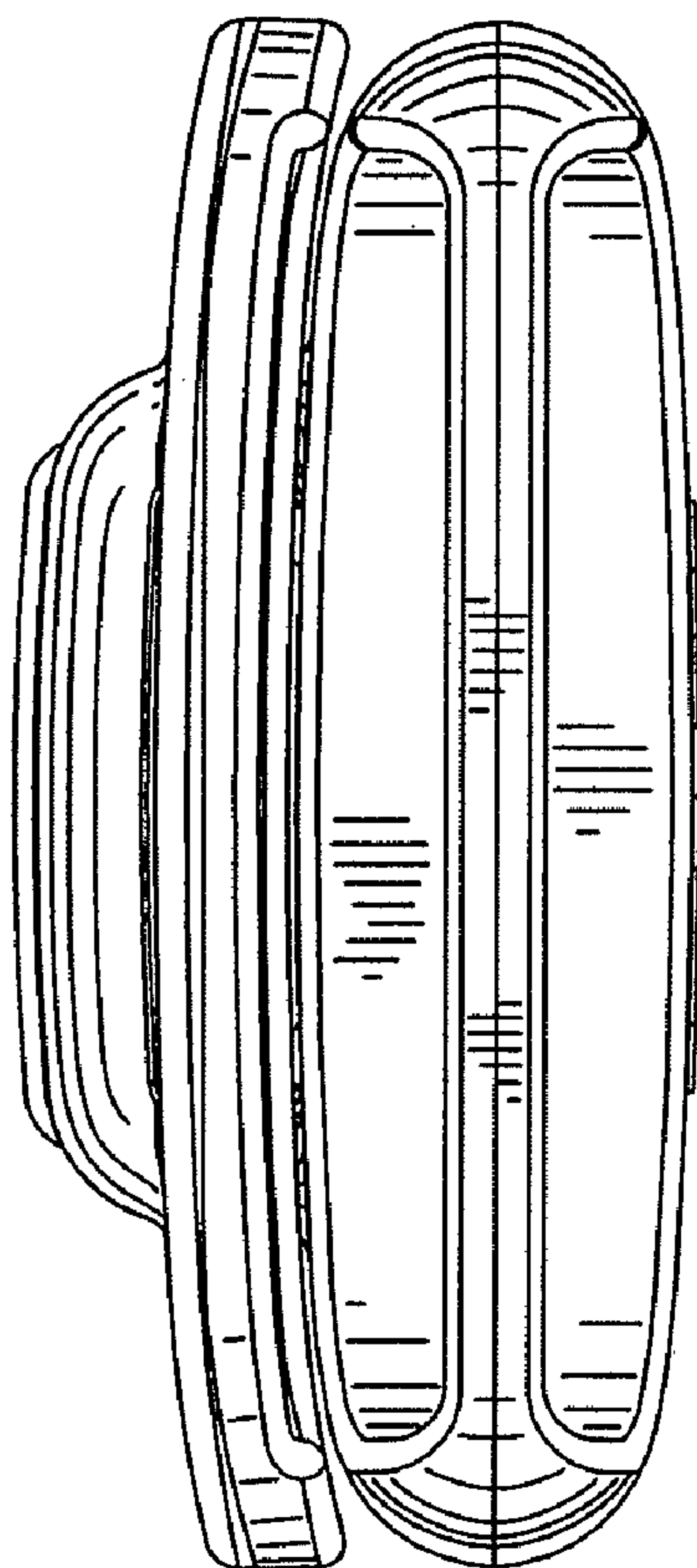


Fig. 2

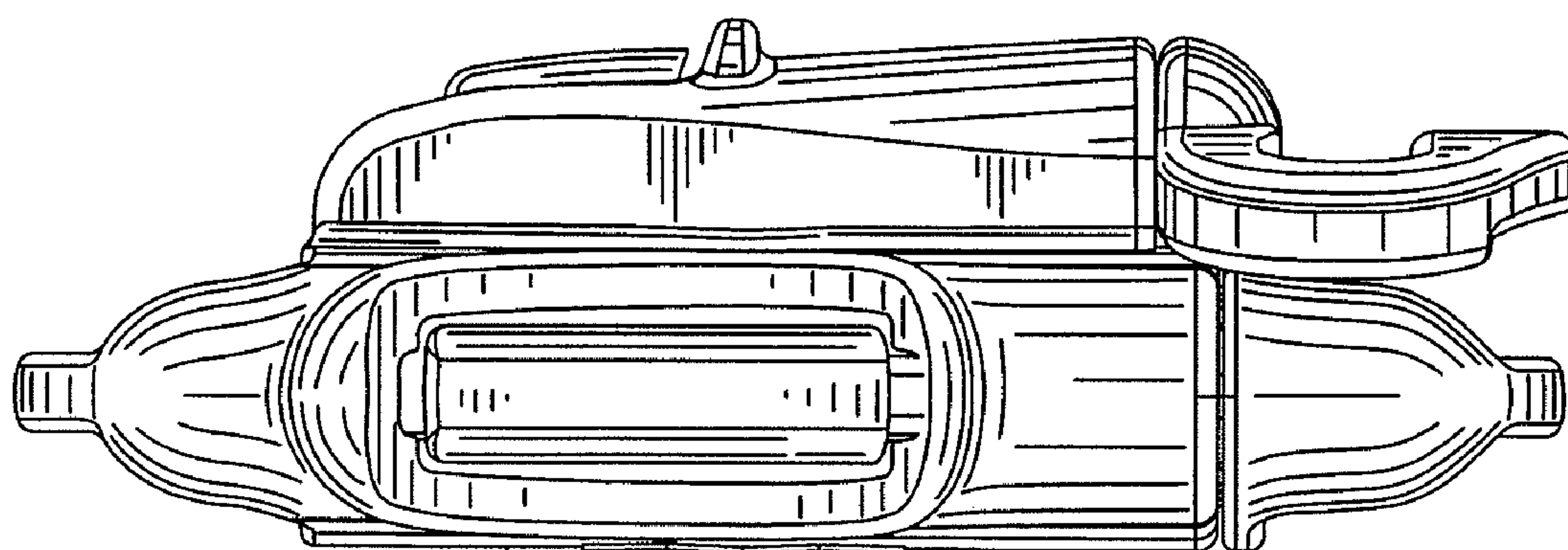


Fig. 3

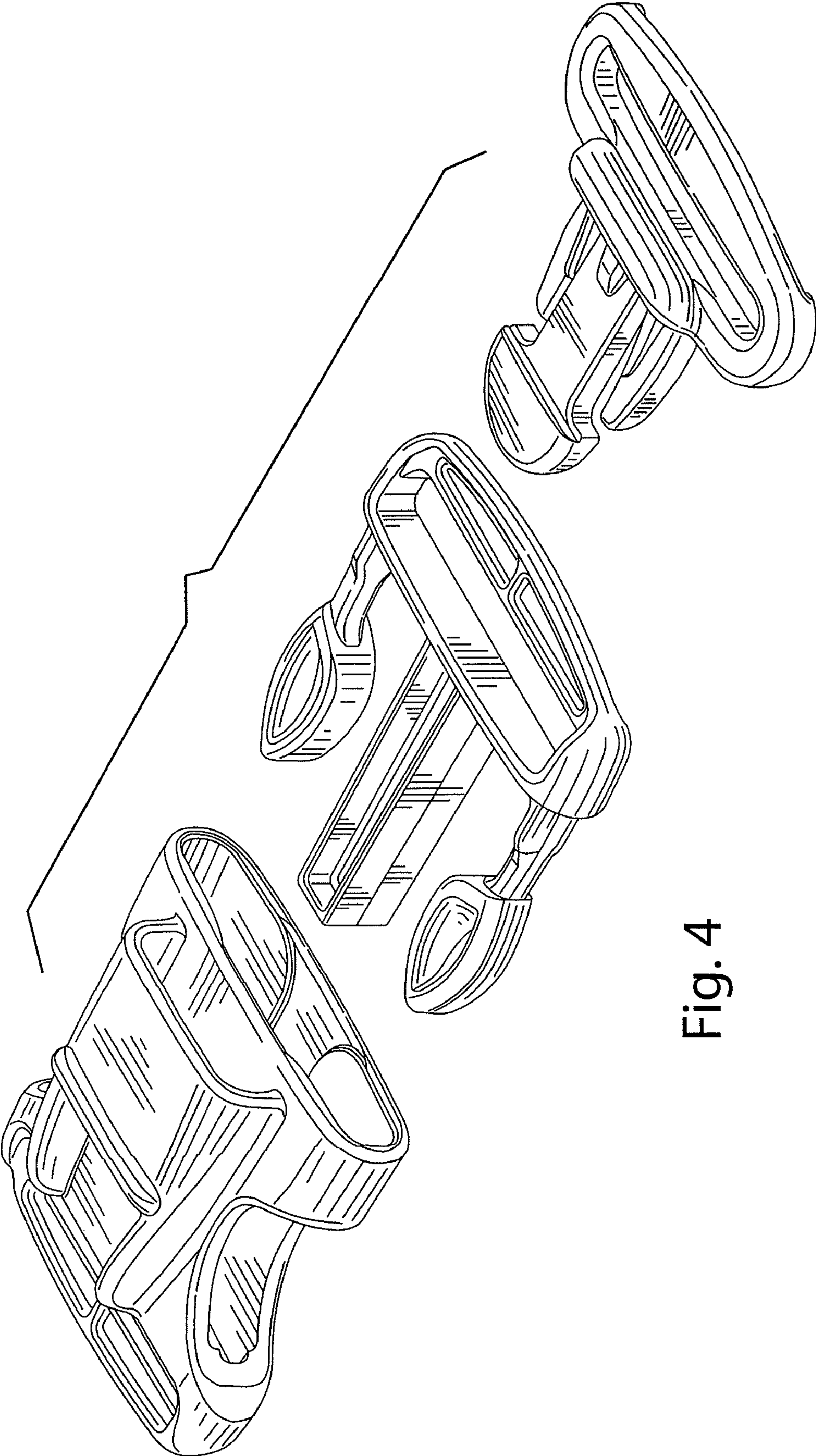


Fig. 4

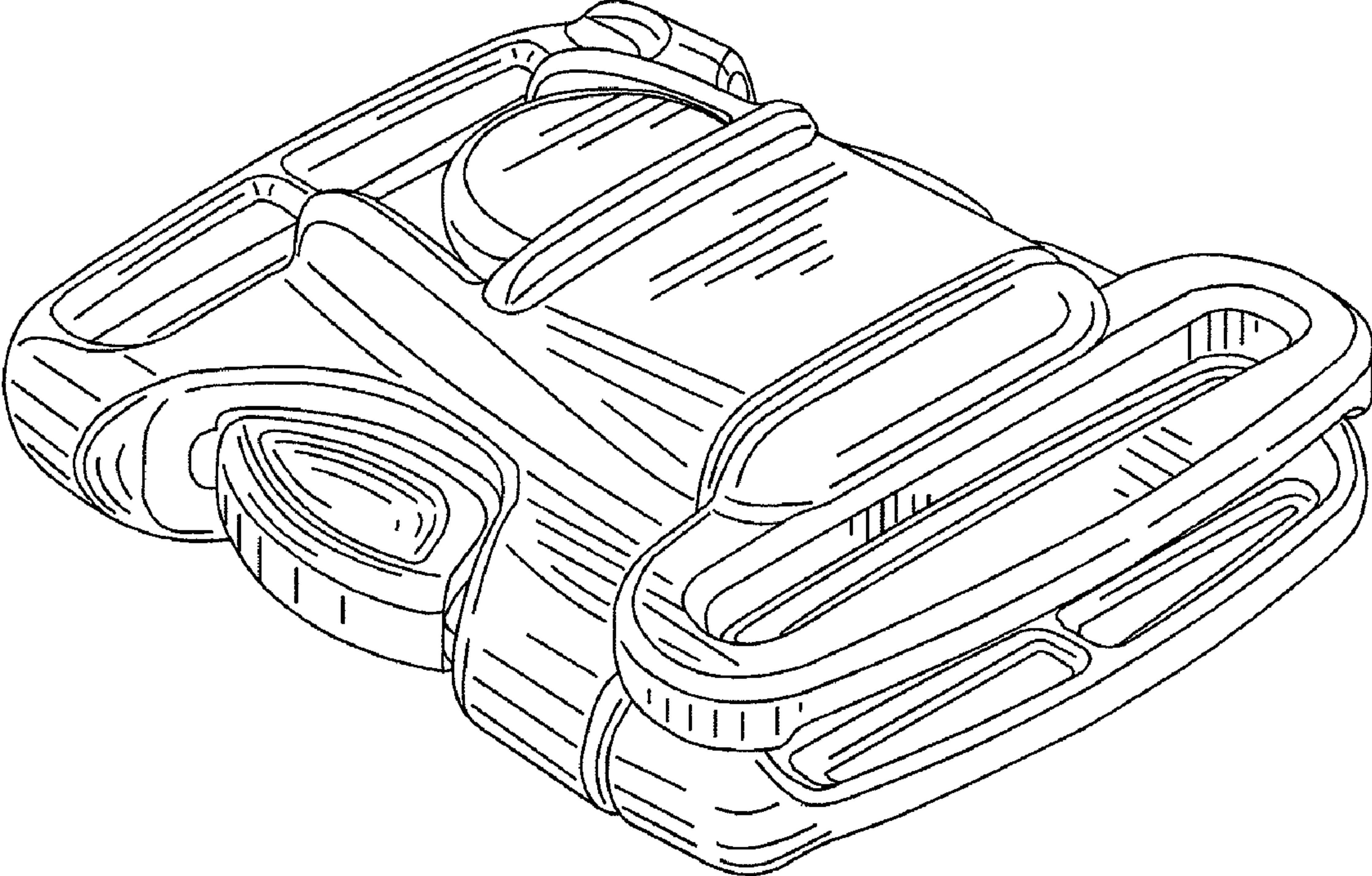


Fig. 5