

US00D591639S

(12) **United States Design Patent**  
**Kuehmichel et al.**

(10) **Patent No.:** **US D591,639 S**  
(45) **Date of Patent:** **\*\* May 5, 2009**

(54) **VASE**  
(75) Inventors: **Matthew Kuehmichel**, Bagnolet (FR);  
**Pierre-Alexandre Catalaa**, Paris (FR)  
(73) Assignee: **Metropolitan Fleurs Sarl**, Bagnolet  
(FR)

3,987,566 A \* 10/1976 March ..... 40/124.4  
4,910,913 A \* 3/1990 Streeter ..... 47/72  
D313,772 S \* 1/1991 Beauregard ..... D11/118  
D324,832 S \* 3/1992 Boschetto et al. .... D11/118  
D367,677 S \* 3/1996 Noreika ..... D20/40  
D462,031 S \* 8/2002 Ng ..... D11/118  
D522,404 S \* 6/2006 Kerdil ..... D11/143

(\*\*) Term: **14 Years**  
(21) Appl. No.: **29/310,575**  
(22) Filed: **Aug. 27, 2008**

\* cited by examiner  
*Primary Examiner*—Holly H Baynham  
*Assistant Examiner*—Michelle E Wilson  
(74) *Attorney, Agent, or Firm*—Robert L. Epstein; Epstein  
Drangel Bazerman & James, LLP

(30) **Foreign Application Priority Data**  
Mar. 3, 2008 (FR) ..... 08 1149

(57) **CLAIM**  
The ornamental design for a vase, as shown and described.

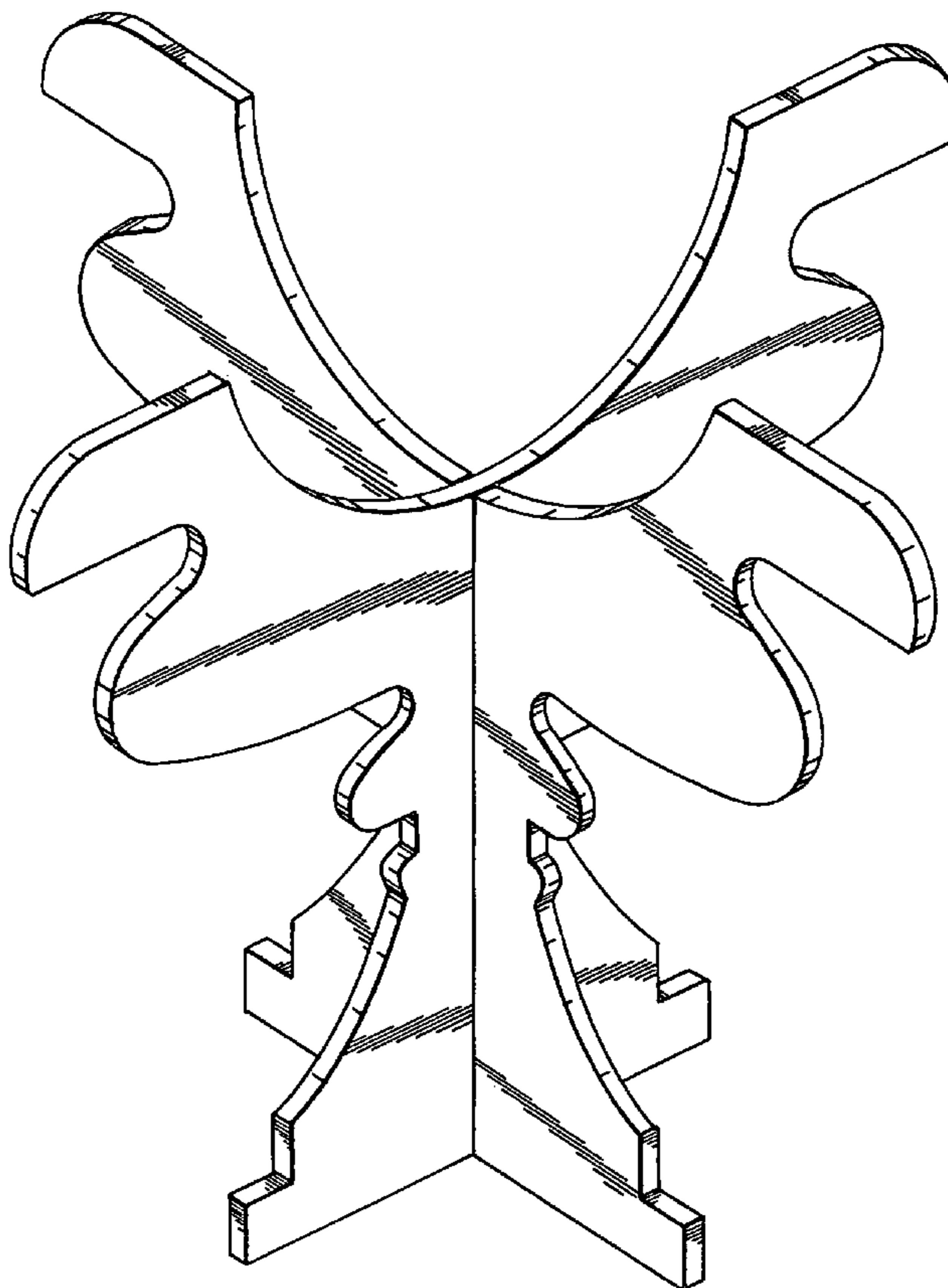
(51) **LOC (9) Cl.** ..... **11-02**  
(52) **U.S. Cl.** ..... **D11/157**  
(58) **Field of Classification Search** ..... D11/117–164;  
D20/40, 35, 21, 10; 428/15, 16, 39, 542.2,  
428/542.4; 446/97–100, 268, 321, 385  
See application file for complete search history.

**DESCRIPTION**

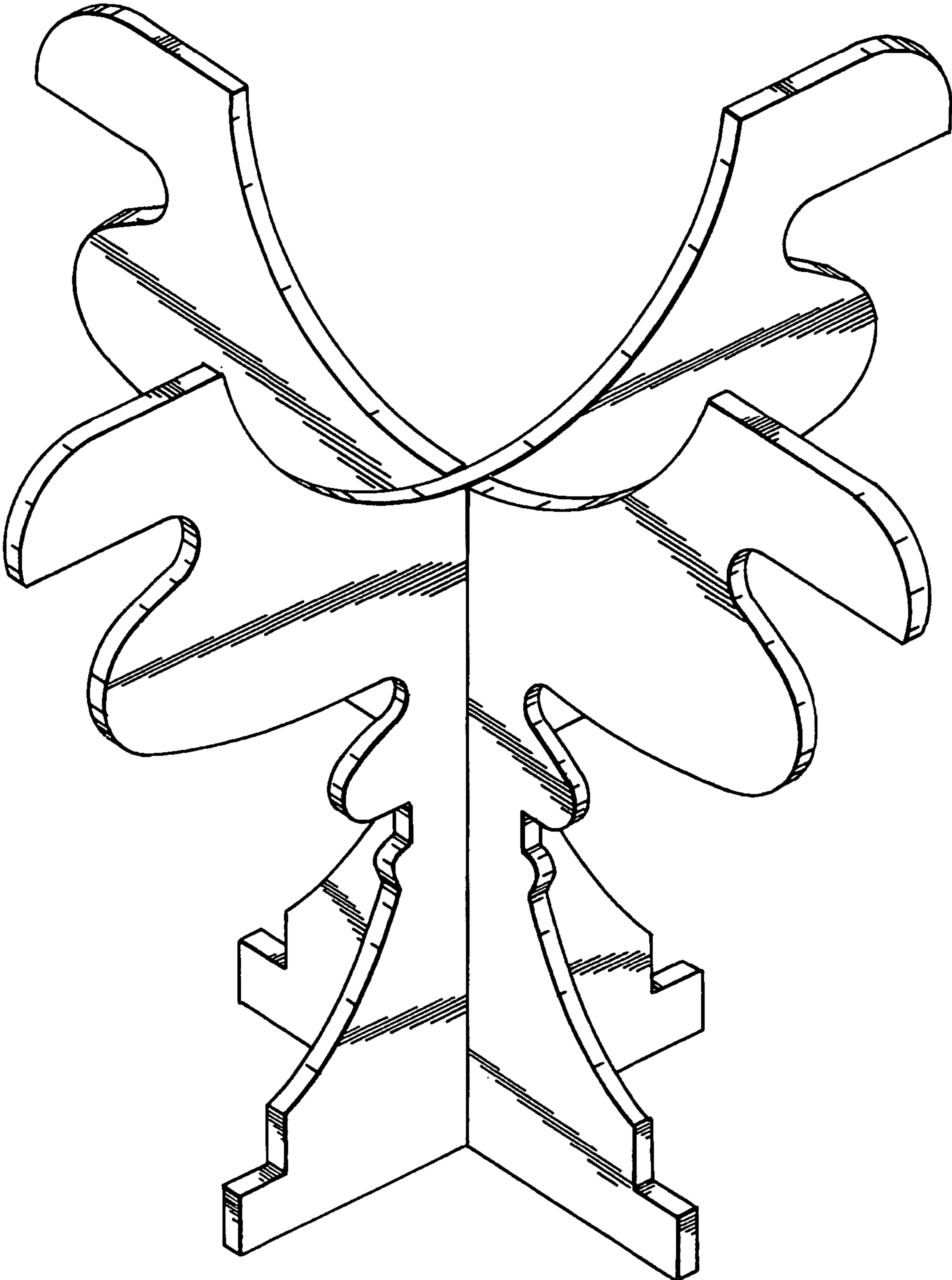
FIG. 1 is a perspective view showing our design;  
FIG. 2 is an elevation view of one side of our design, the other  
side being the mirror image thereof;  
FIG. 3 is an elevation view of the front of our design; the rear  
being the mirror image thereof;  
FIG. 4 is an elevation view showing the top of our design; and,  
FIG. 5 is an elevation view of the bottom of our design.

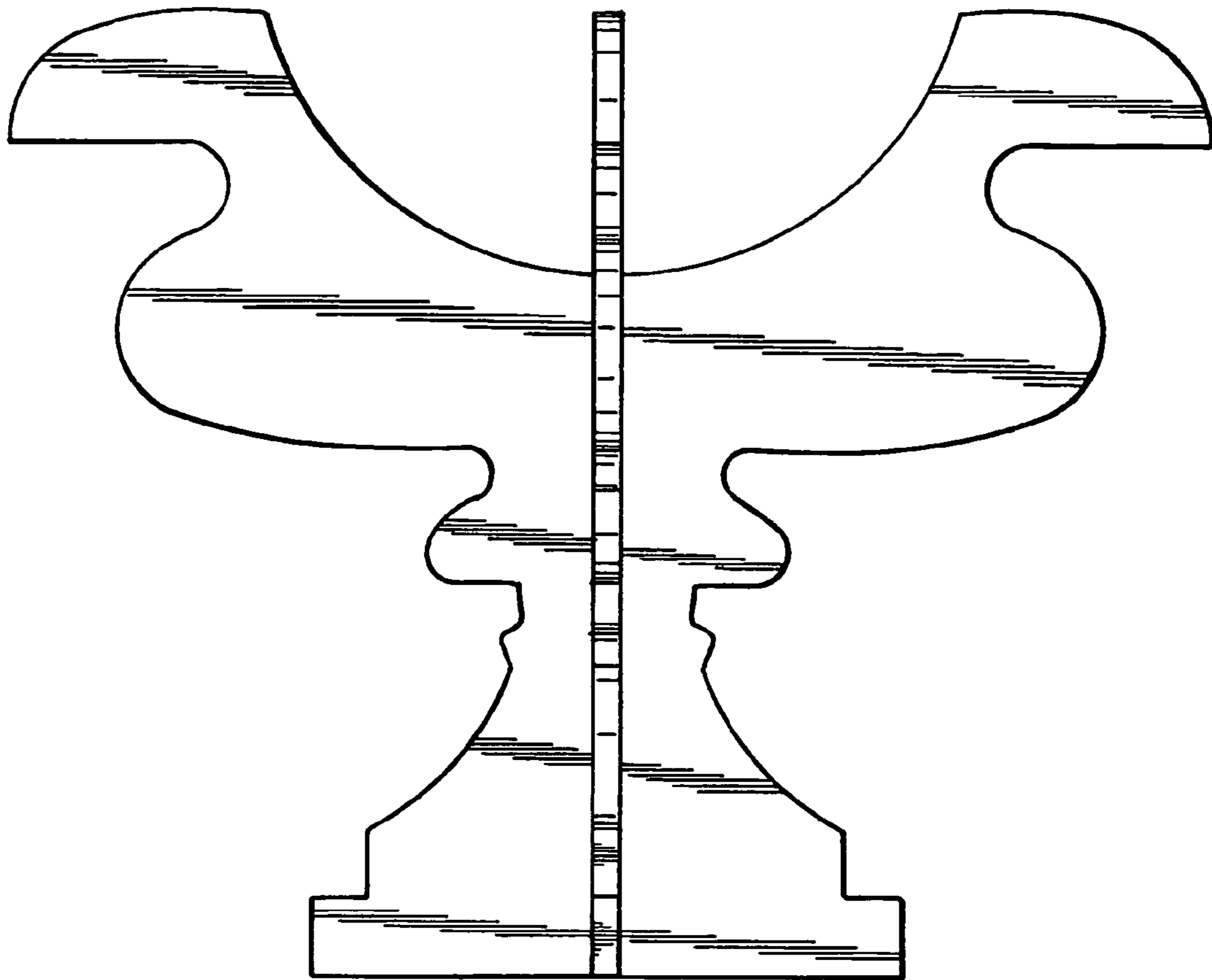
(56) **References Cited**  
U.S. PATENT DOCUMENTS  
1,490,026 A \* 4/1924 Richards ..... 47/41.01  
1,606,687 A \* 11/1926 Bennett ..... 65/64  
2,113,406 A \* 4/1938 Koeble ..... 40/124.16

**1 Claim, 5 Drawing Sheets**

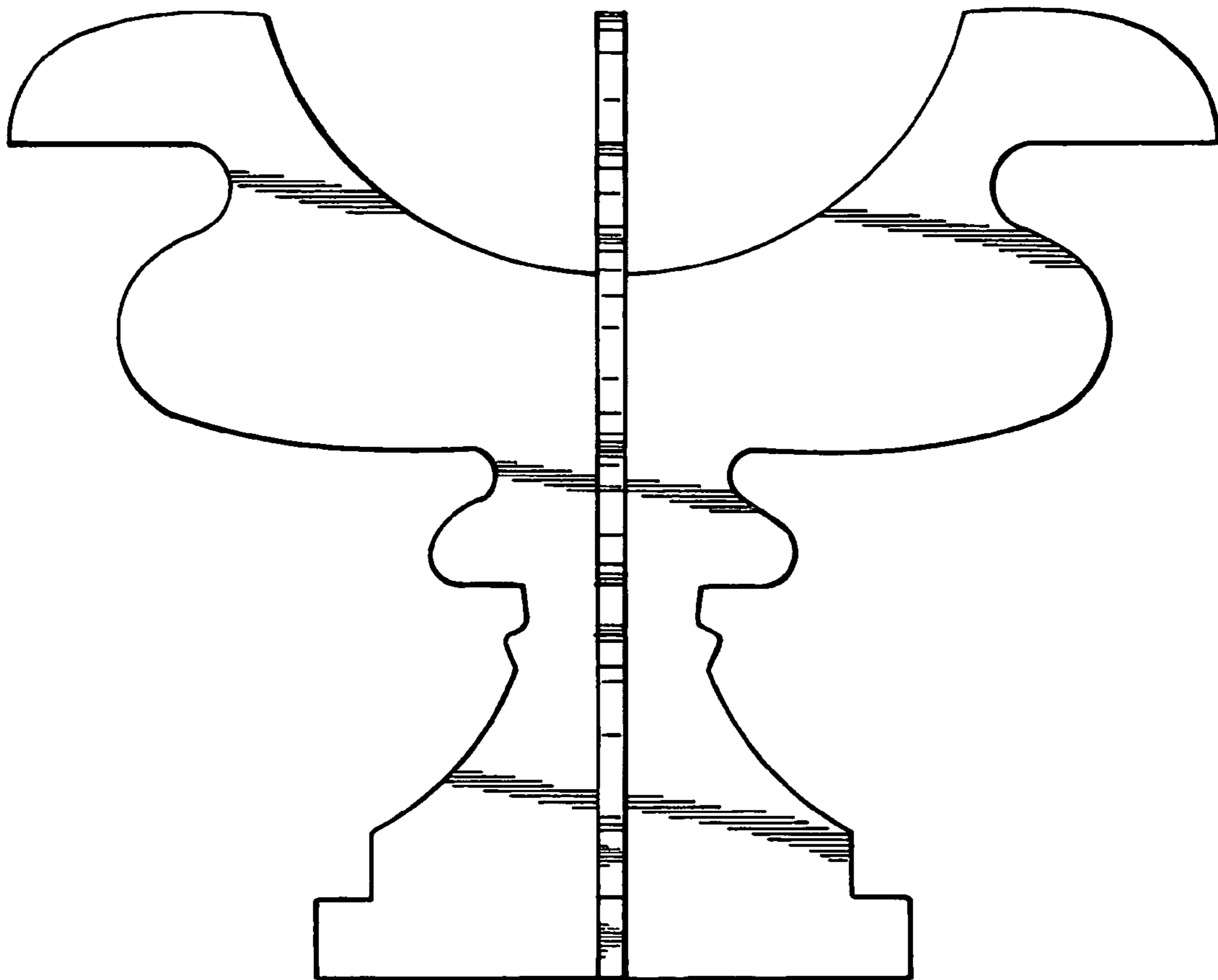


**Fig. 1**

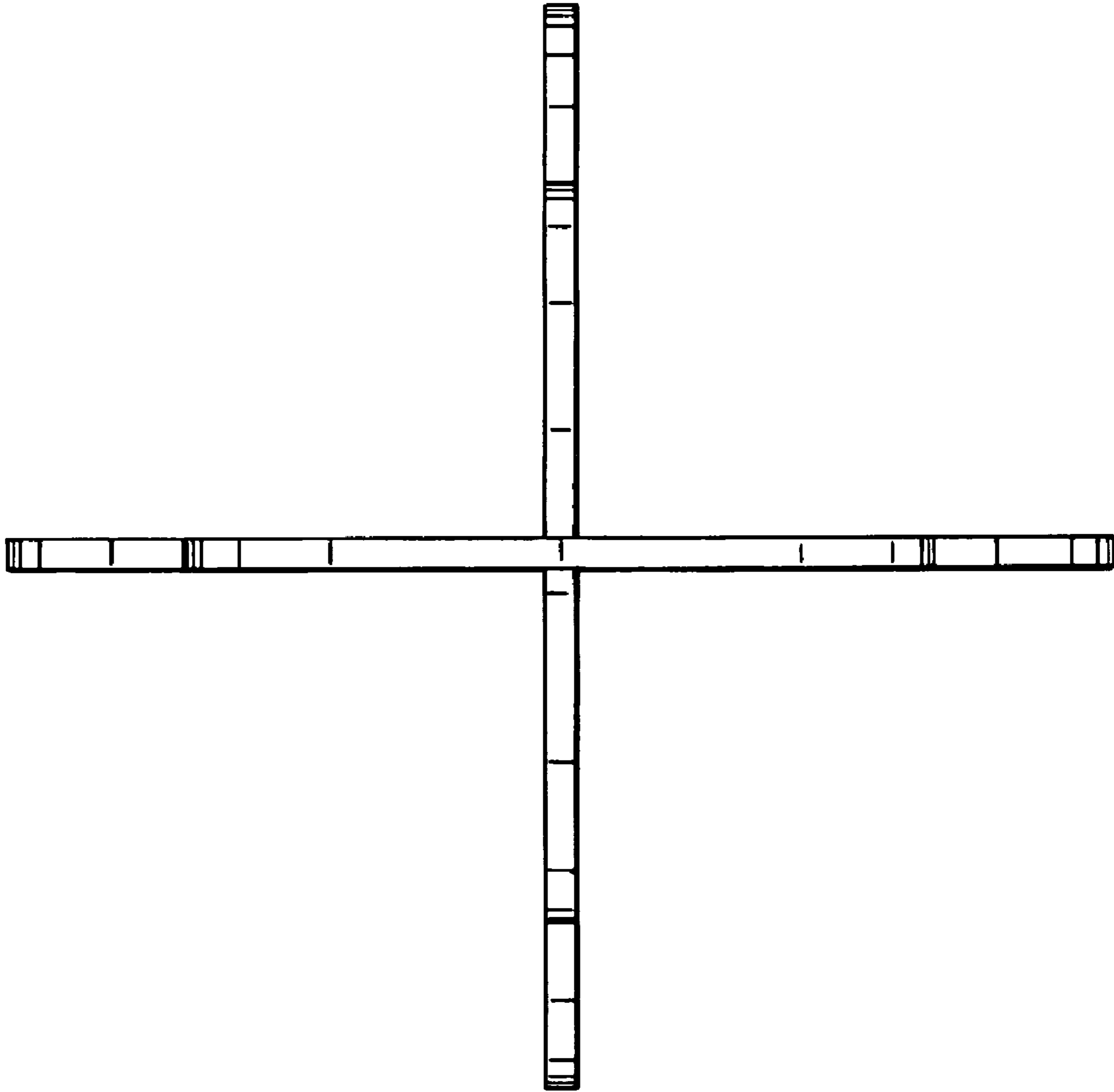




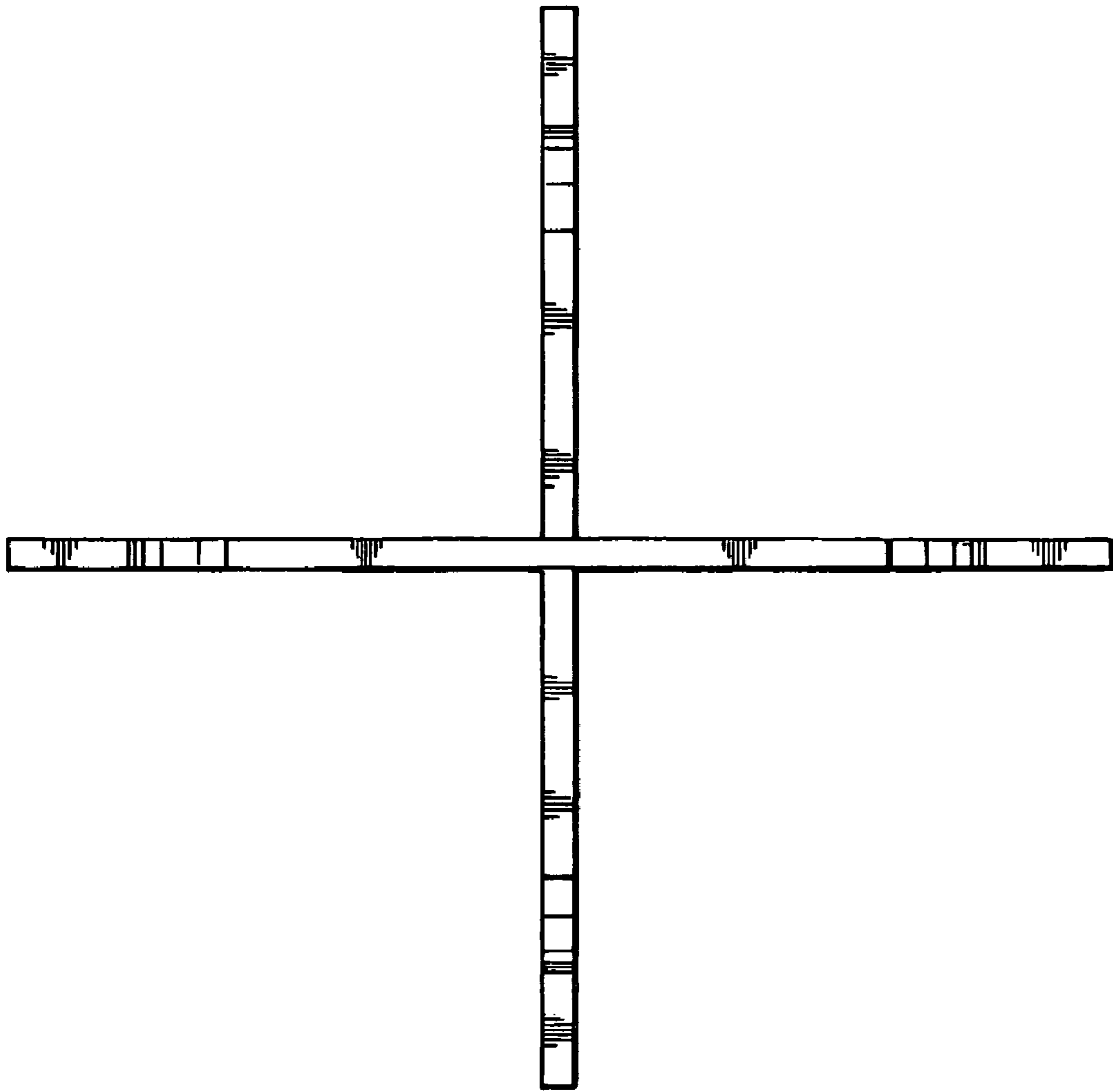
***Fig. 2***



***Fig. 3***



***Fig. 4***



***Fig. 5***