

US00D591637S

(12) **United States Design Patent**  
**Ho**

(10) **Patent No.:** **US D591,637 S**

(45) **Date of Patent:** **\*\* May 5, 2009**

(54) **RING**

(75) Inventor: **Chi Kai Nelson Ho**, Kowloon (CN)

(73) Assignee: **Nelson Jewellery Arts Company Ltd.**,  
Kowloon, Hong Kong (CN)

(\*\*) Term: **14 Years**

(21) Appl. No.: **29/308,141**

(22) Filed: **May 29, 2008**

(51) **LOC (9) Cl.** ..... **11-01**

(52) **U.S. Cl.** ..... **D11/34**

(58) **Field of Classification Search** ..... D11/3,  
D11/26-39, 89-92, 57-58; 63/15, 15.1-15.4,  
63/15.45, 15.5, 15.6, 15.65, 26-27  
See application file for complete search history.

(56) **References Cited**

**U.S. PATENT DOCUMENTS**

D513,203 S *	12/2005	Liechtung	.....	D11/35
D530,640 S *	10/2006	Shah	.....	D11/30
D533,104 S *	12/2006	Ho	.....	D11/90
D534,827 S *	1/2007	Hardy	.....	D11/34
D538,699 S *	3/2007	Hardy	.....	D11/30

D547,688 S *	7/2007	Sabet	.....	D11/34
D550,585 S *	9/2007	Shin	.....	D11/91
2007/0017252 A1 *	1/2007	Yoshida et al.	.....	63/15

\* cited by examiner

*Primary Examiner*—Cathron C Brooks

*Assistant Examiner*—Melanie Levy

(74) *Attorney, Agent, or Firm*—Alix, Yale & Ristas, LLP

(57) **CLAIM**

The ornamental design for a ring, as shown and described.

**DESCRIPTION**

FIG. 1 is a front view of a ring showing my new design;

FIG. 2 is a rear view thereof;

FIG. 3 is a top plan view thereof;

FIG. 4 is a bottom plan view thereof;

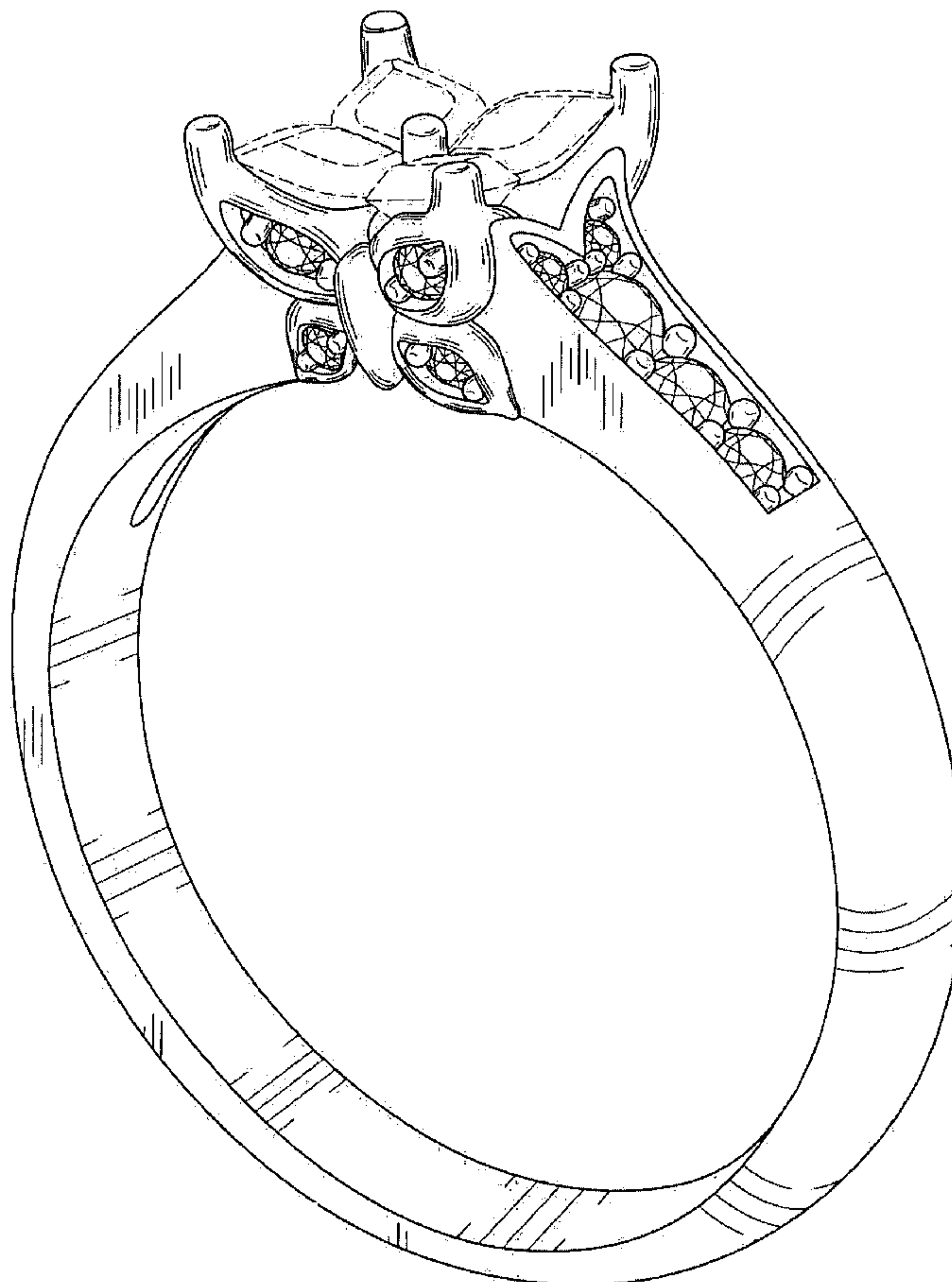
FIG. 5 is a left side view thereof;

FIG. 6 is a right side view thereof; and,

FIG. 7 is a perspective view thereof.

No claim is made to the portions shown in broken lines.

**1 Claim, 5 Drawing Sheets**



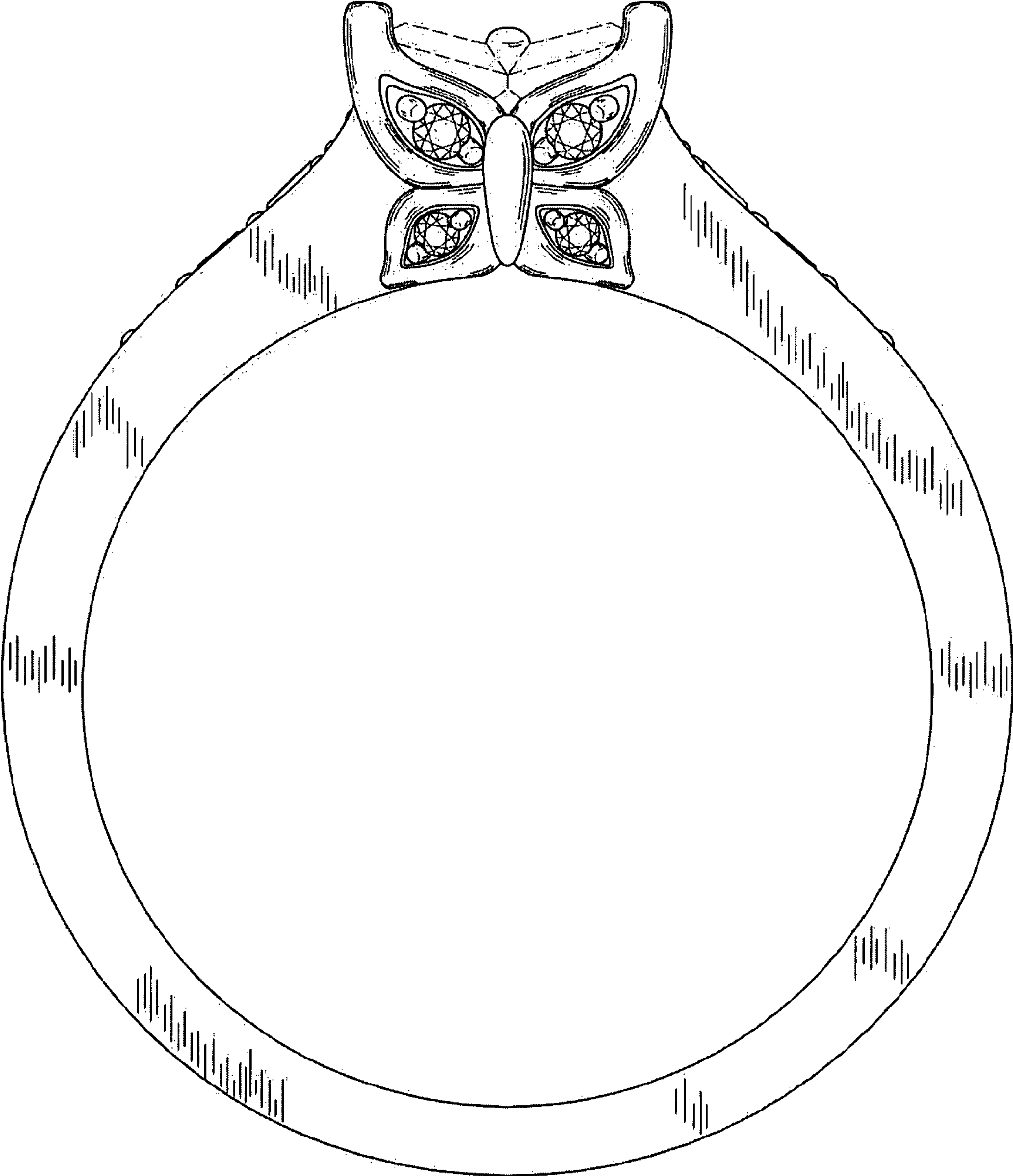


Fig .1

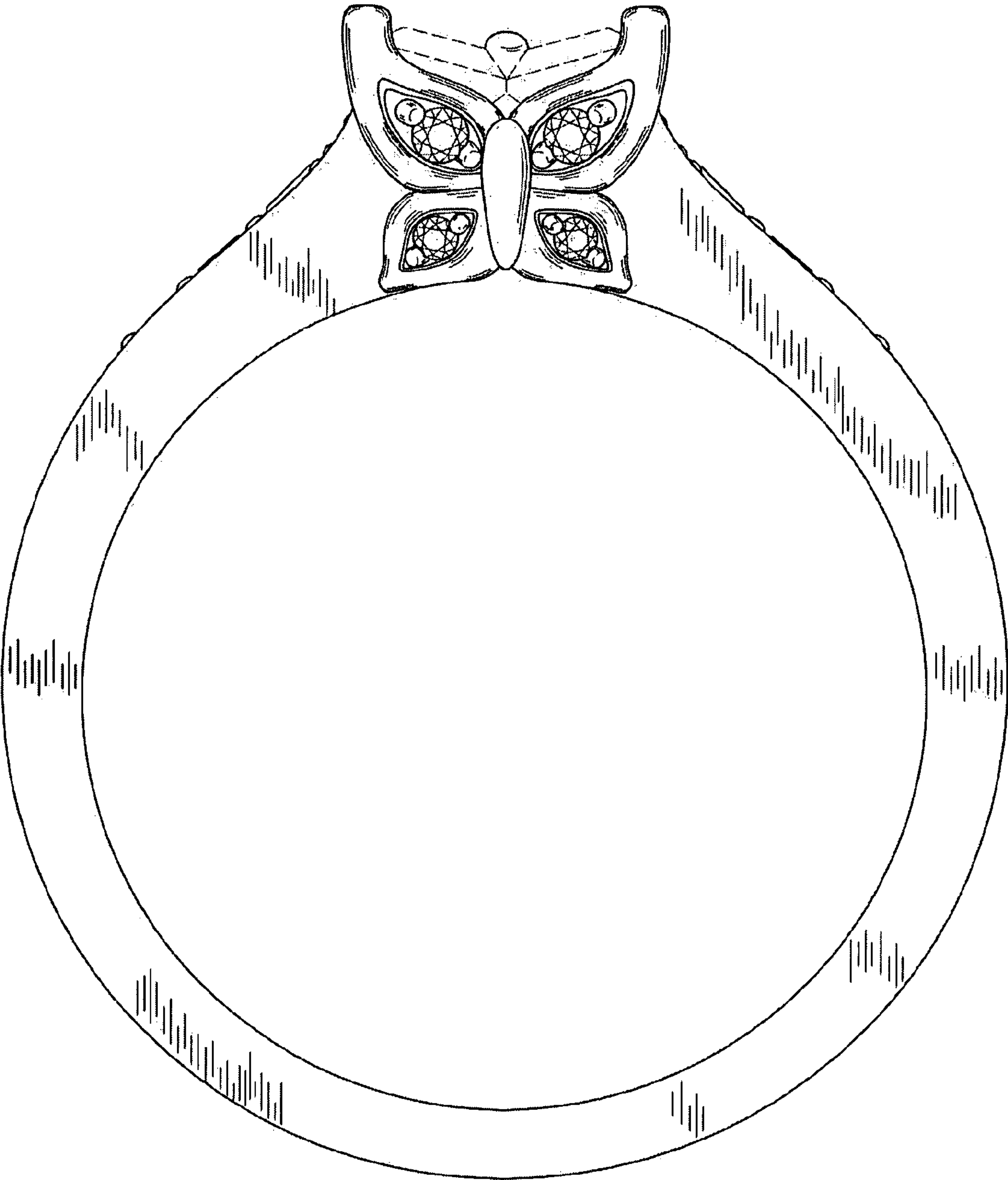
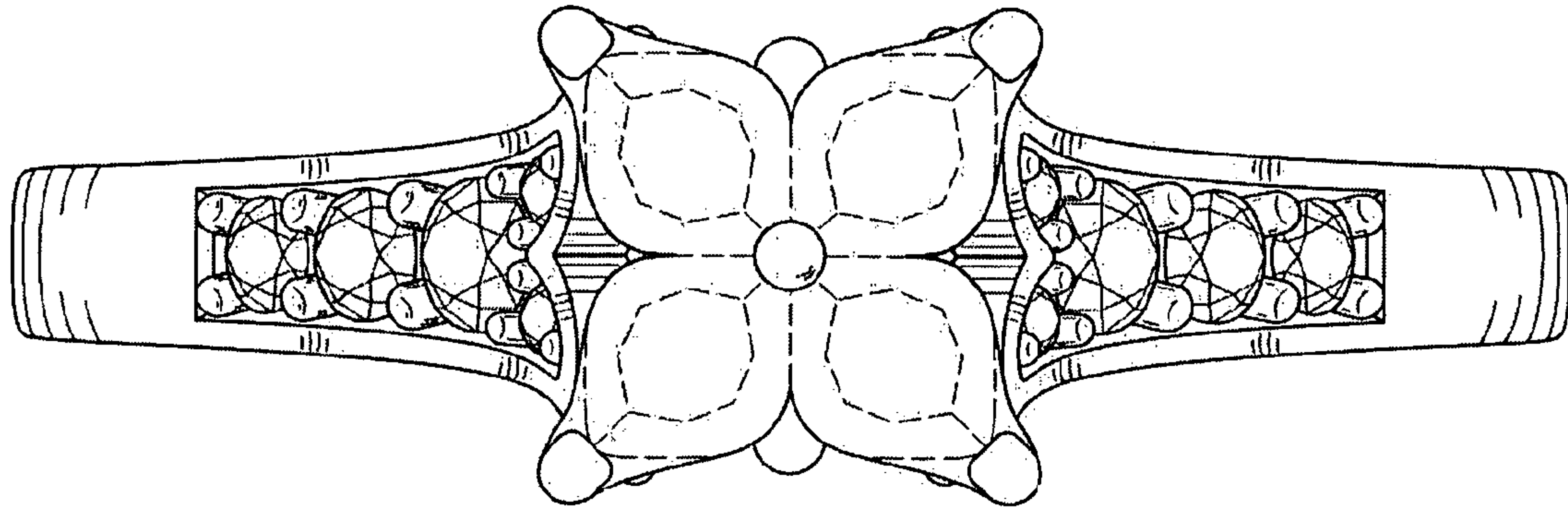
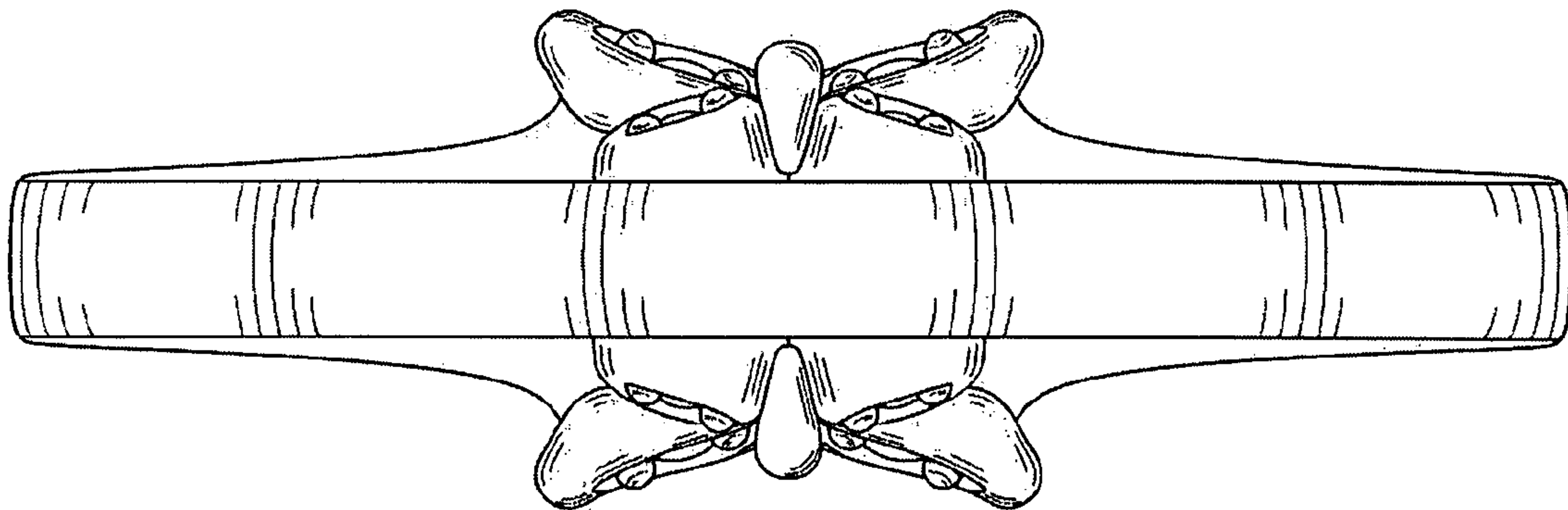


Fig. 2

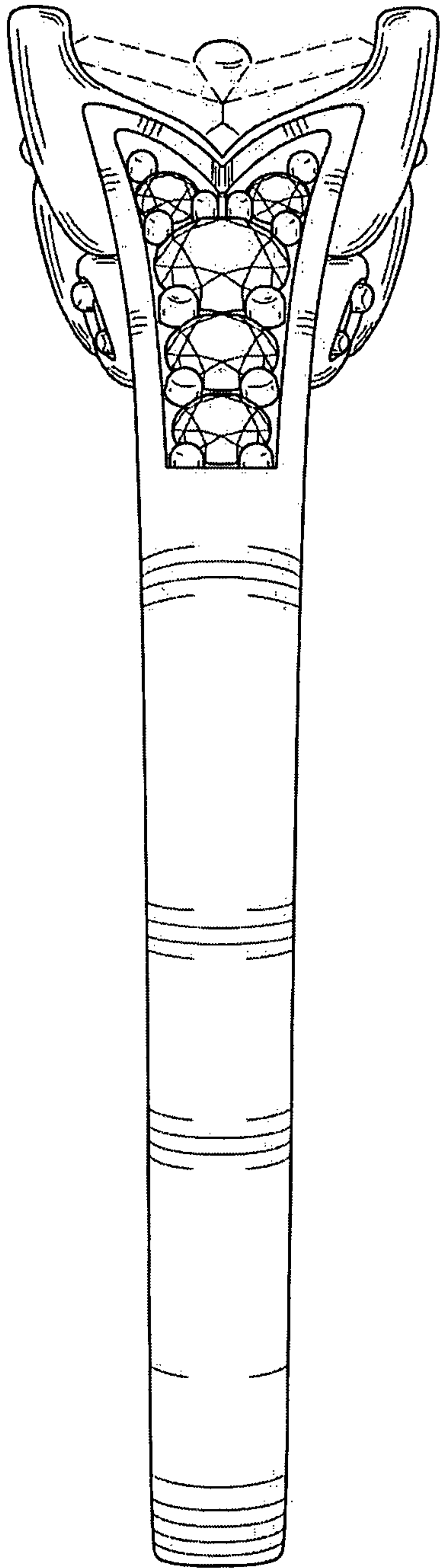


**Fig. 3**

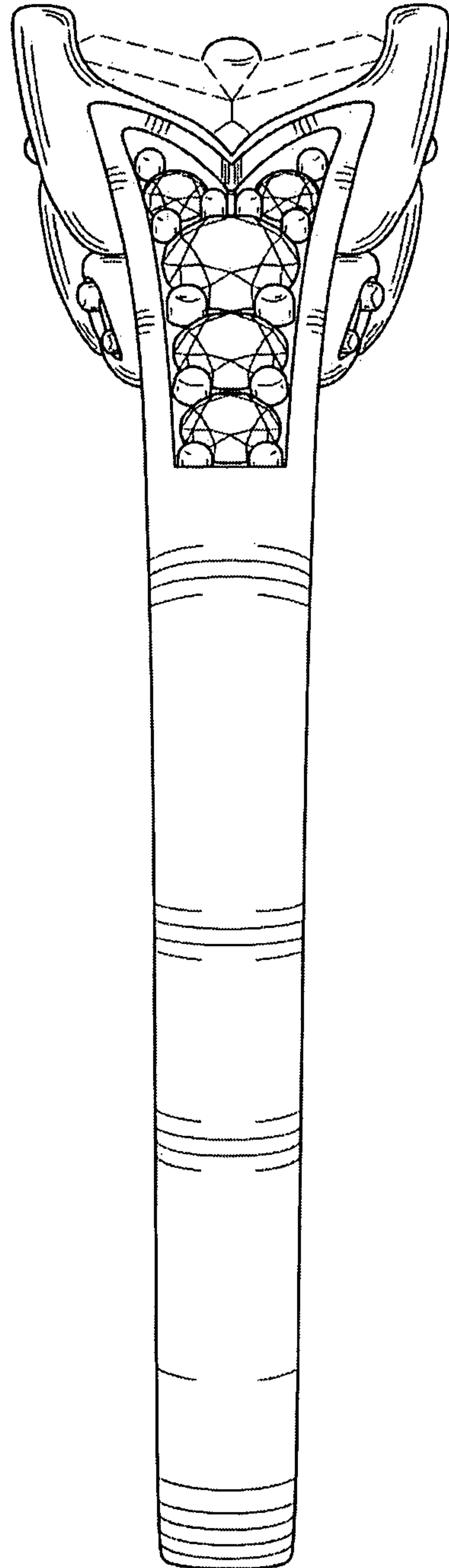


**Fig. 4**





**Fig. 5**



**Fig. 6**

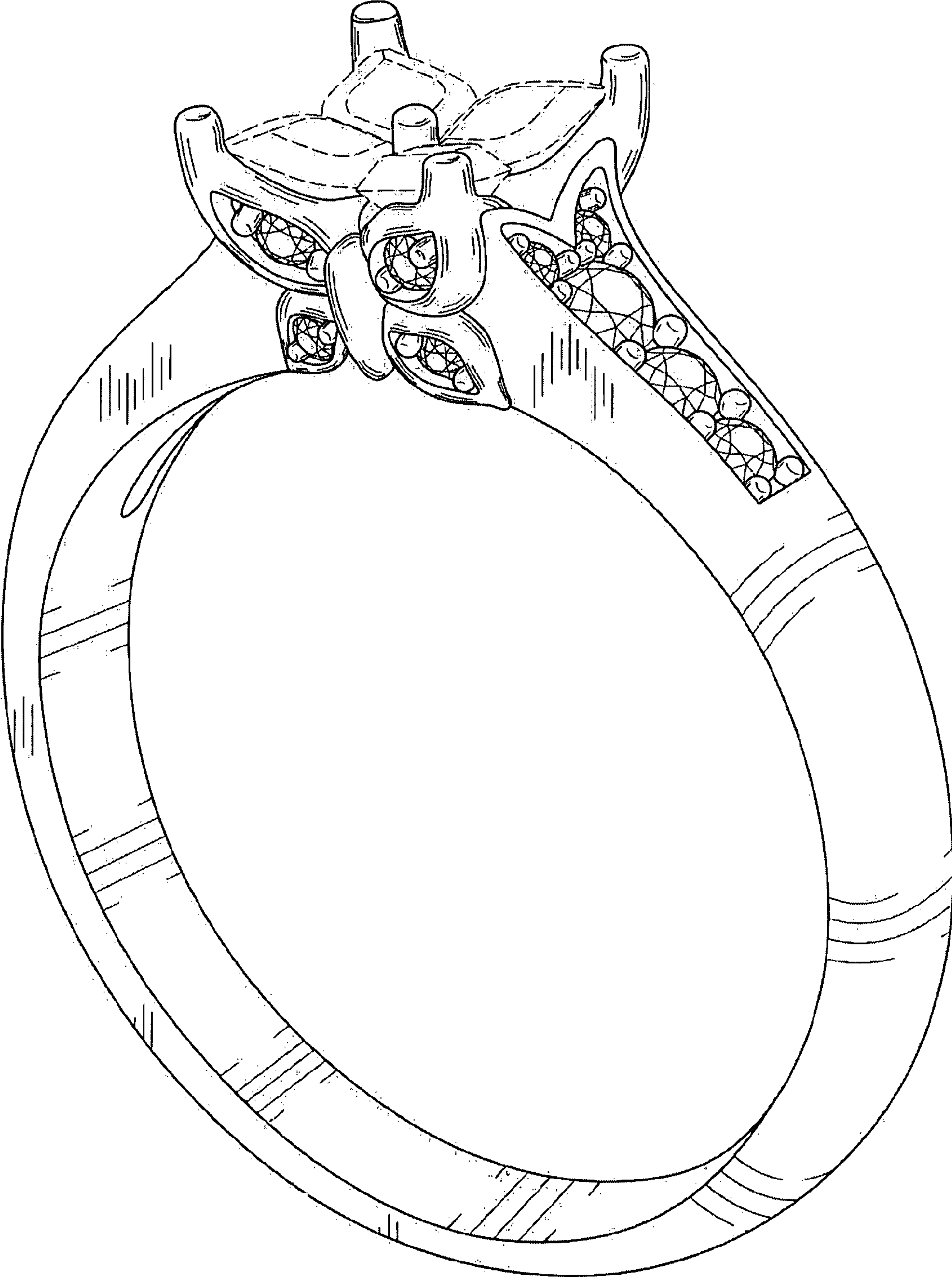


Fig. 7