



US00D591628S

(12) **United States Design Patent**
Tsurumi

(10) **Patent No.:** **US D591,628 S**
(45) **Date of Patent:** **** May 5, 2009**

(54) **FIRE DETECTOR**

(75) Inventor: **Hayato Tsurumi**, Tokyo (JP)

(73) Assignee: **Hochiki Corporation**, Tokyo (JP)

(**) Term: **14 Years**

(21) Appl. No.: **29/300,473**

(22) Filed: **Mar. 31, 2008**

(30) **Foreign Application Priority Data**

Oct. 5, 2007 (JP) 2007-027289

(51) **LOC (9) Cl.** **10-05**

(52) **U.S. Cl.** **D10/106**

(58) **Field of Classification Search** D10/104,
D10/106; 340/521, 540-545, 555, 558, 571,
340/572, 573, 628-630

See application file for complete search history.

(56) **References Cited**

U.S. PATENT DOCUMENTS

D355,386 S *	2/1995	Fellmann	D10/106
D368,042 S *	3/1996	Pun	D10/106
D377,460 S *	1/1997	Nelson et al.	D10/106
D388,351 S *	12/1997	Repp et al.	D10/106
D391,184 S *	2/1998	Kawabata	D10/106
D391,185 S *	2/1998	Tomizawa	D10/106
D426,482 S *	6/2000	Sakurai et al.	D10/106
6,154,142 A *	11/2000	Kosugi et al.	340/589

D475,312 S *	6/2003	Runciman	D10/106
D485,200 S *	1/2004	Berthold et al.	D10/106
D505,632 S *	5/2005	Johnson et al.	D10/106

FOREIGN PATENT DOCUMENTS

JP 1227092 1/2005

* cited by examiner

Primary Examiner—Caron Veynar

Assistant Examiner—George D Kirschbaum

(74) *Attorney, Agent, or Firm*—Jean C. Edwards, Esq.;
Akerman Senterfitt

(57) **CLAIM**

The ornamental design for a fire detector, as shown and described.

DESCRIPTION

FIG. 1 is a perspective view of the top, front and left side of a fire detector showing my new design;

FIG. 2 is a perspective view of the bottom, front and left side thereof;

FIG. 3 is a front view thereof;

FIG. 4 is a top plan view thereof;

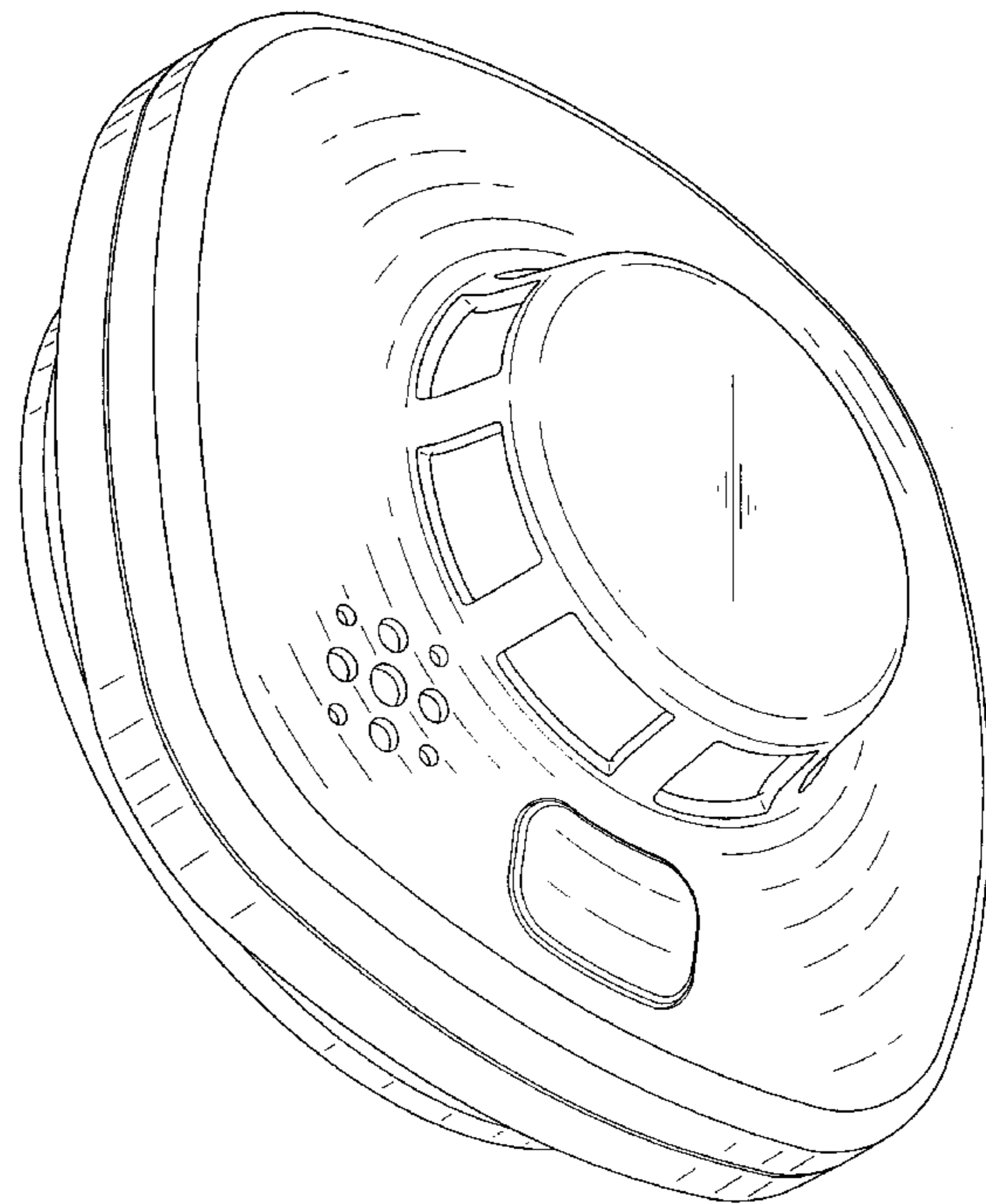
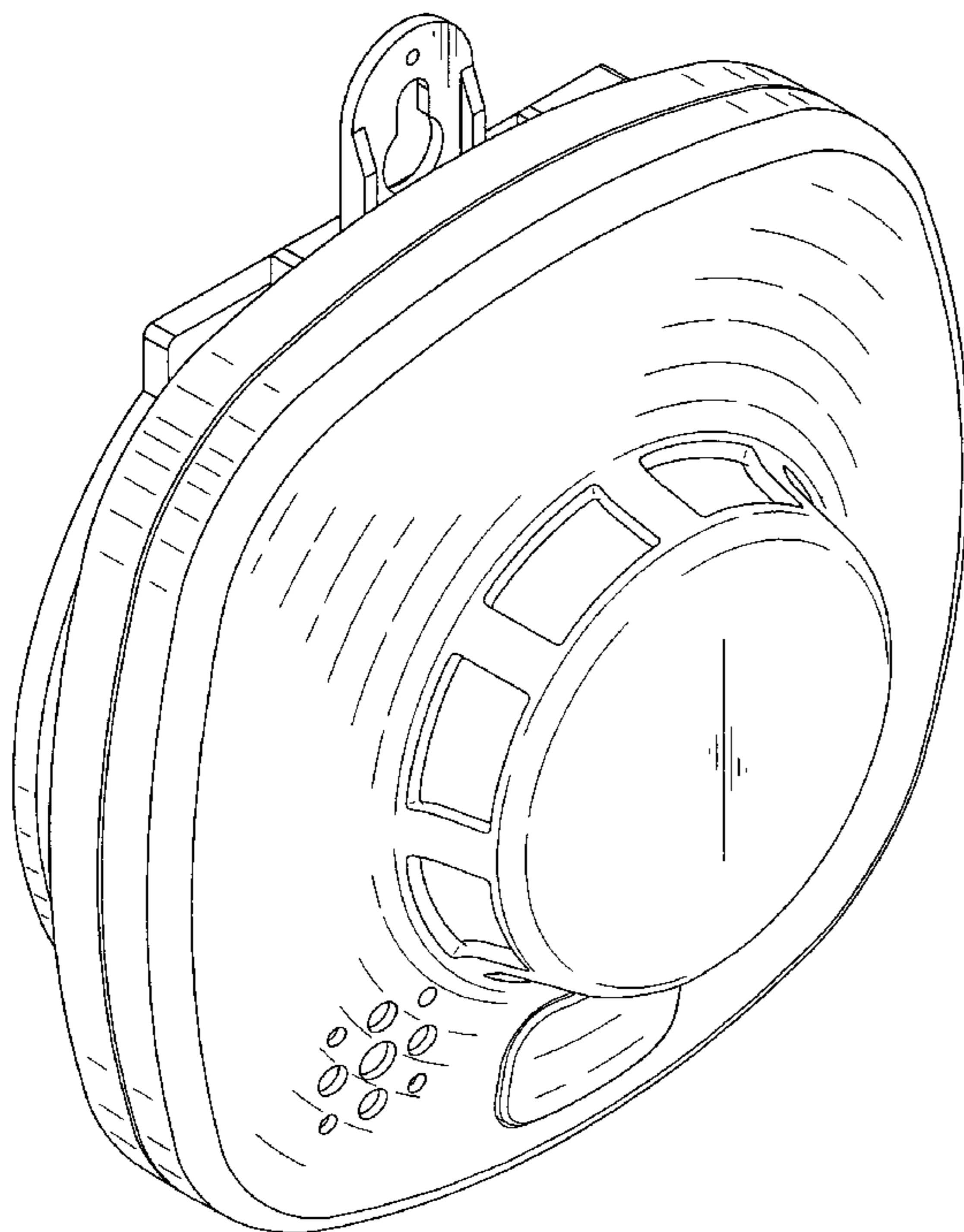
FIG. 5 is a bottom view thereof;

FIG. 6 is a left side view thereof;

FIG. 7 is a right side view thereof; and,

FIG. 8 is a rear view thereof.

1 Claim, 6 Drawing Sheets



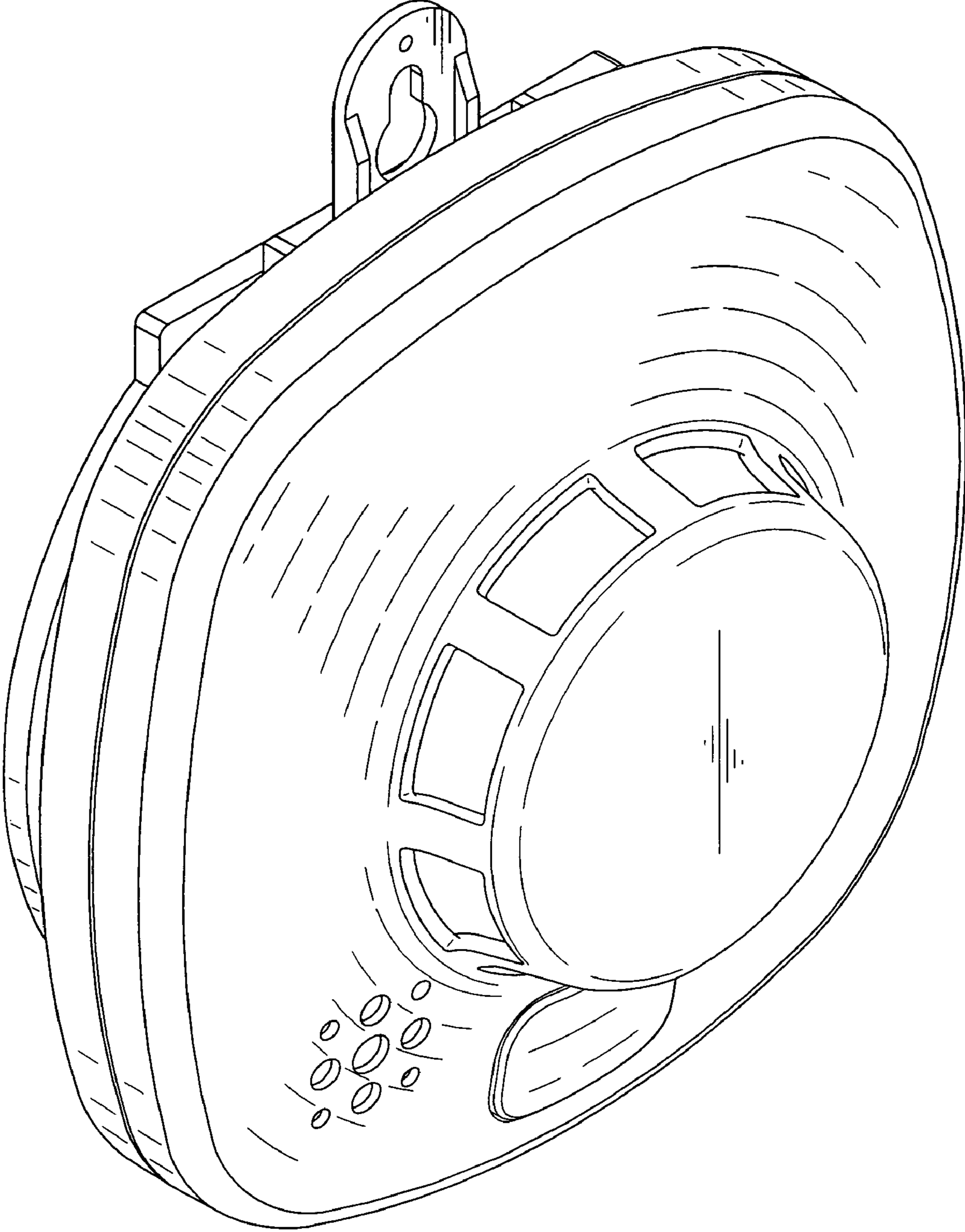


FIG. 1

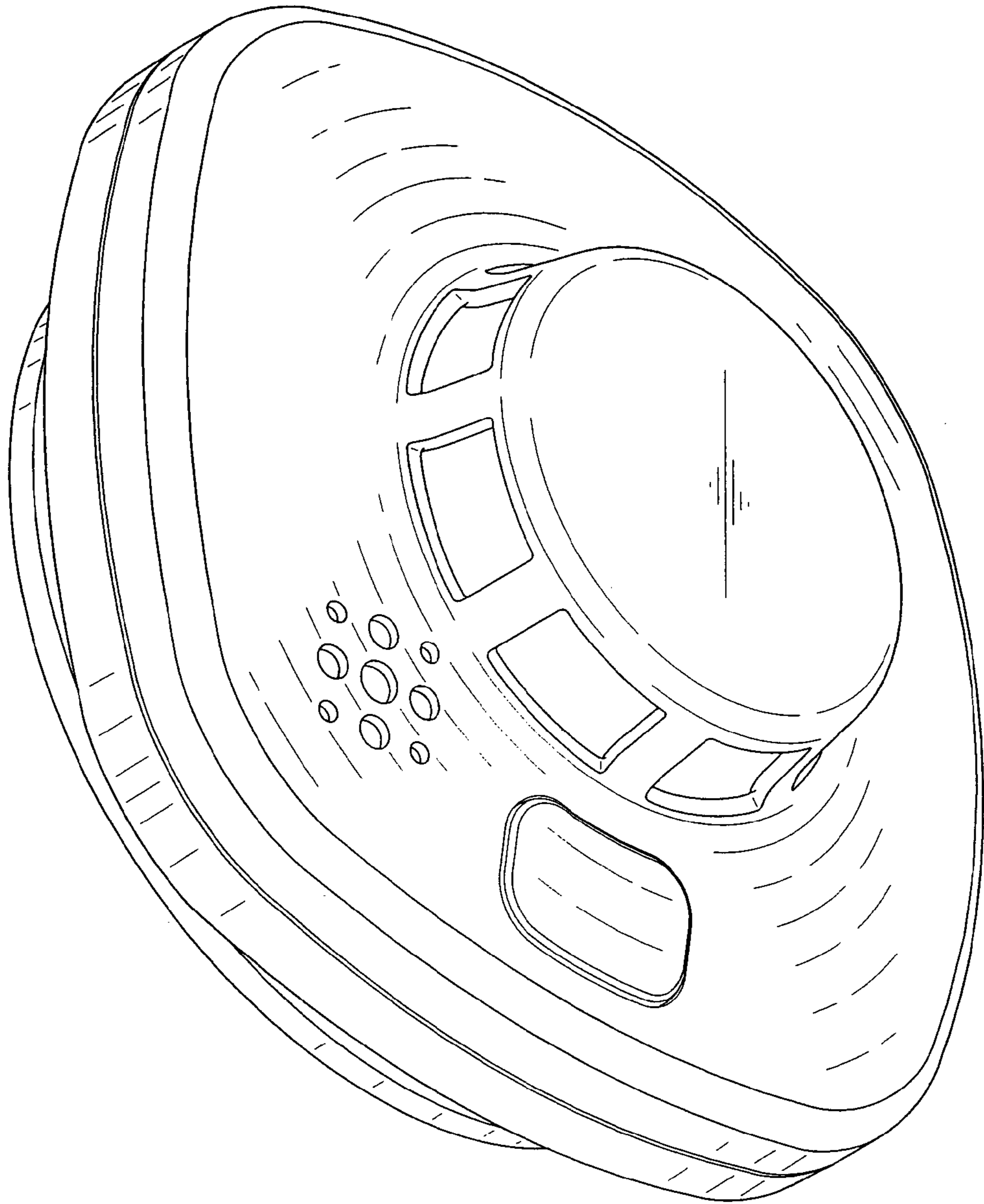


FIG. 2

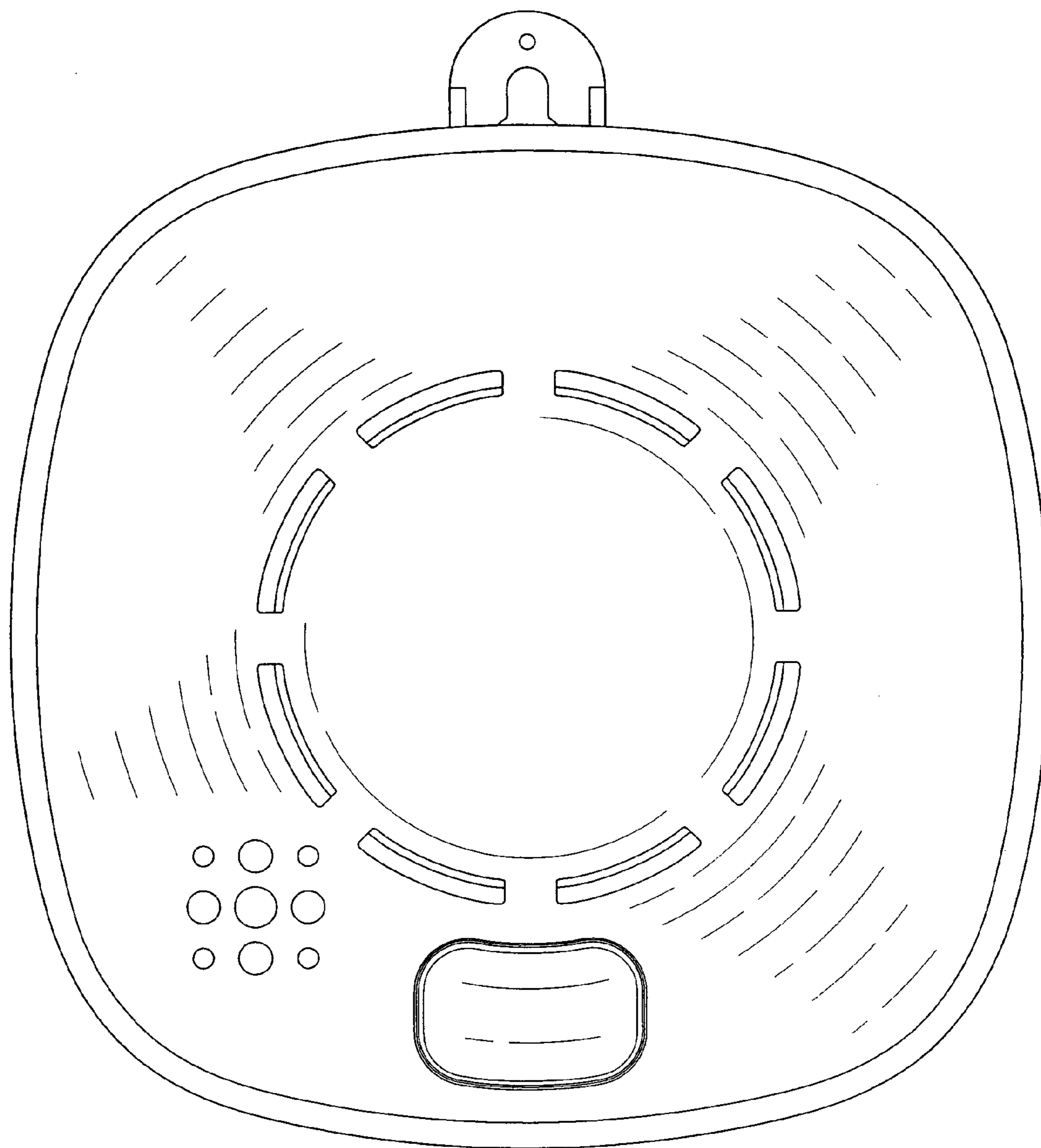


FIG. 3

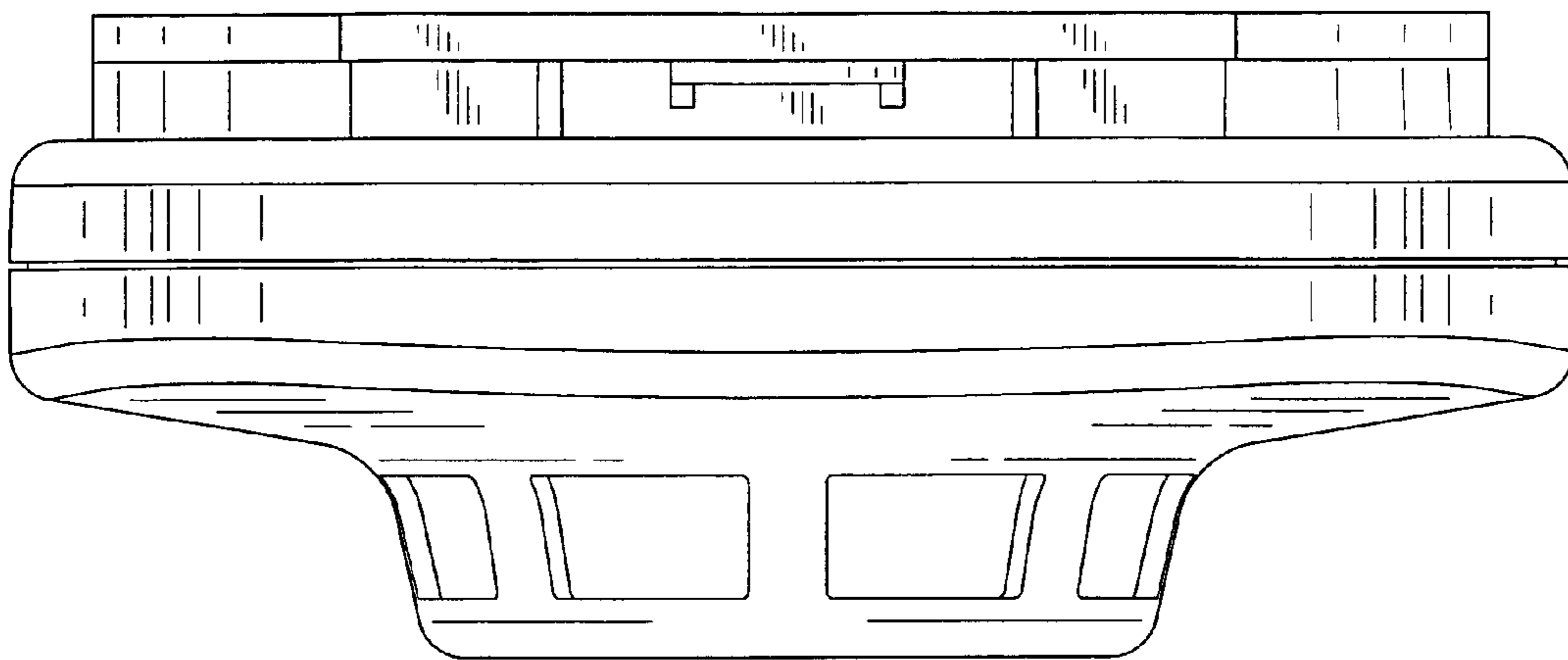


FIG. 4

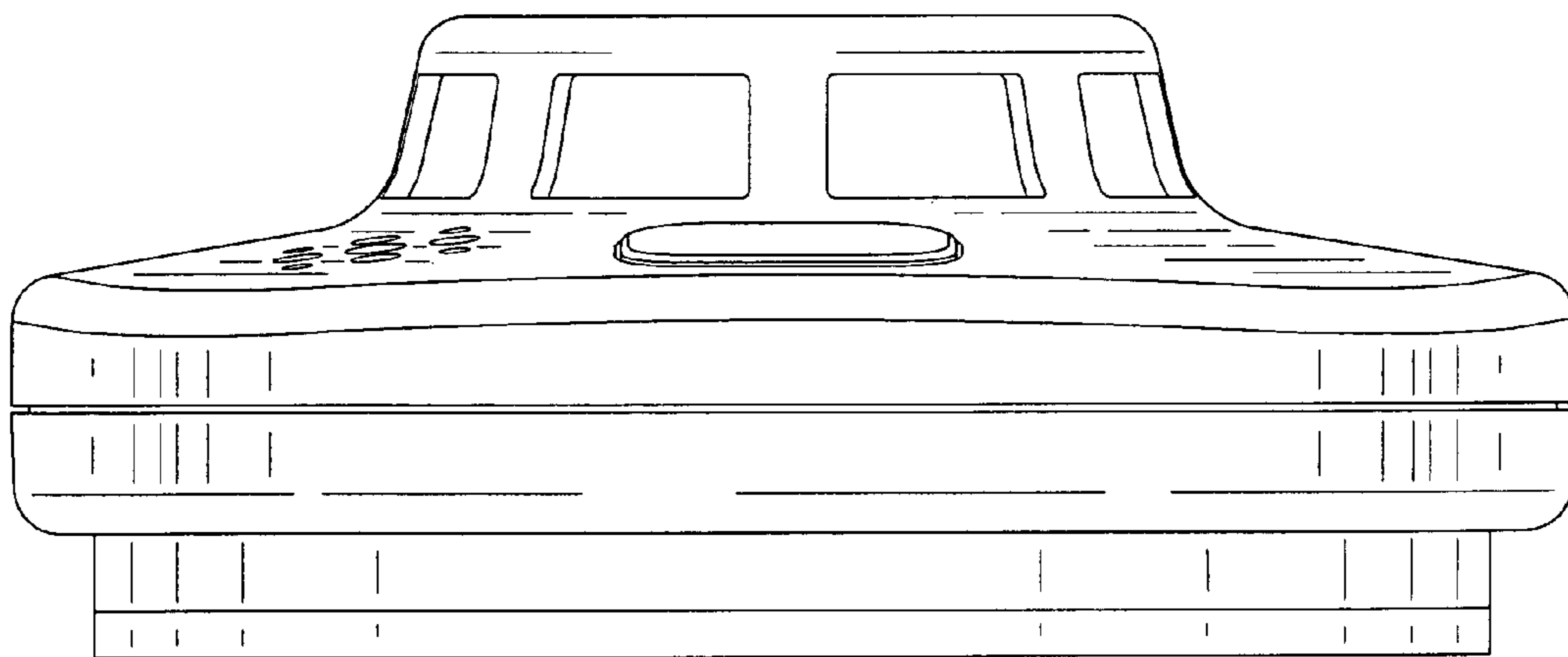


FIG. 5

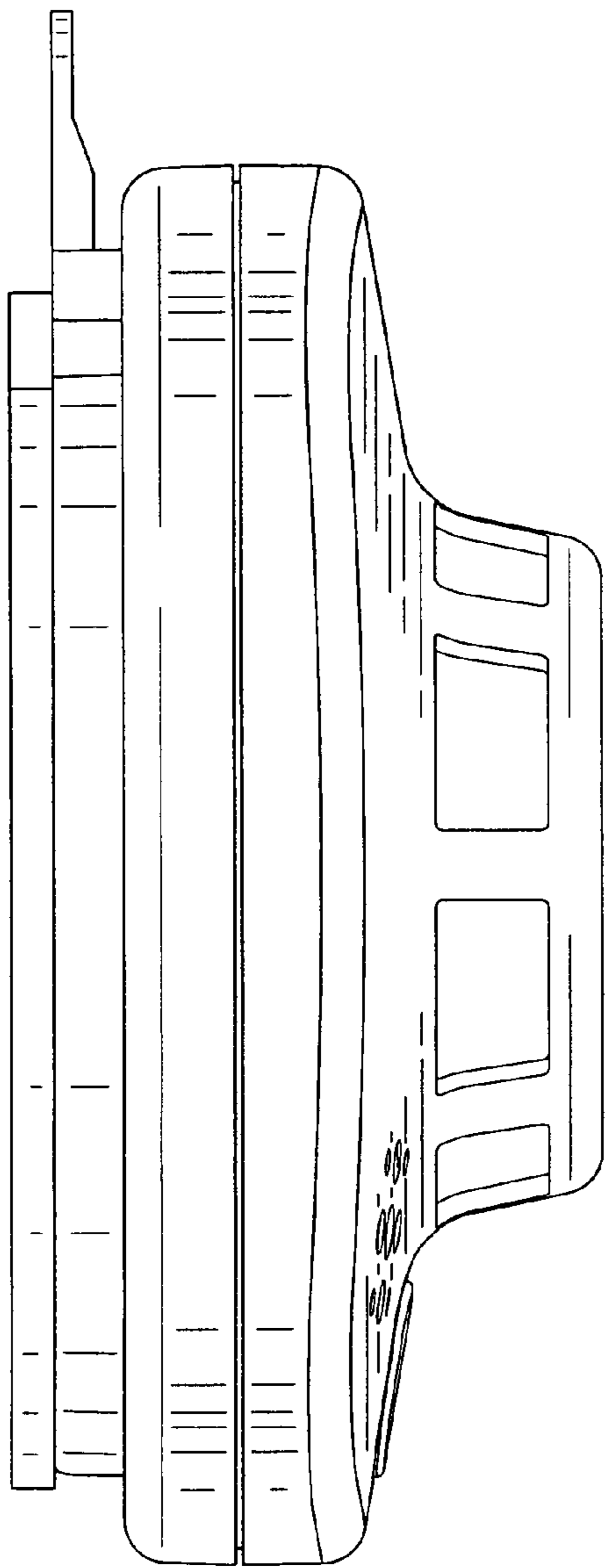


FIG. 6

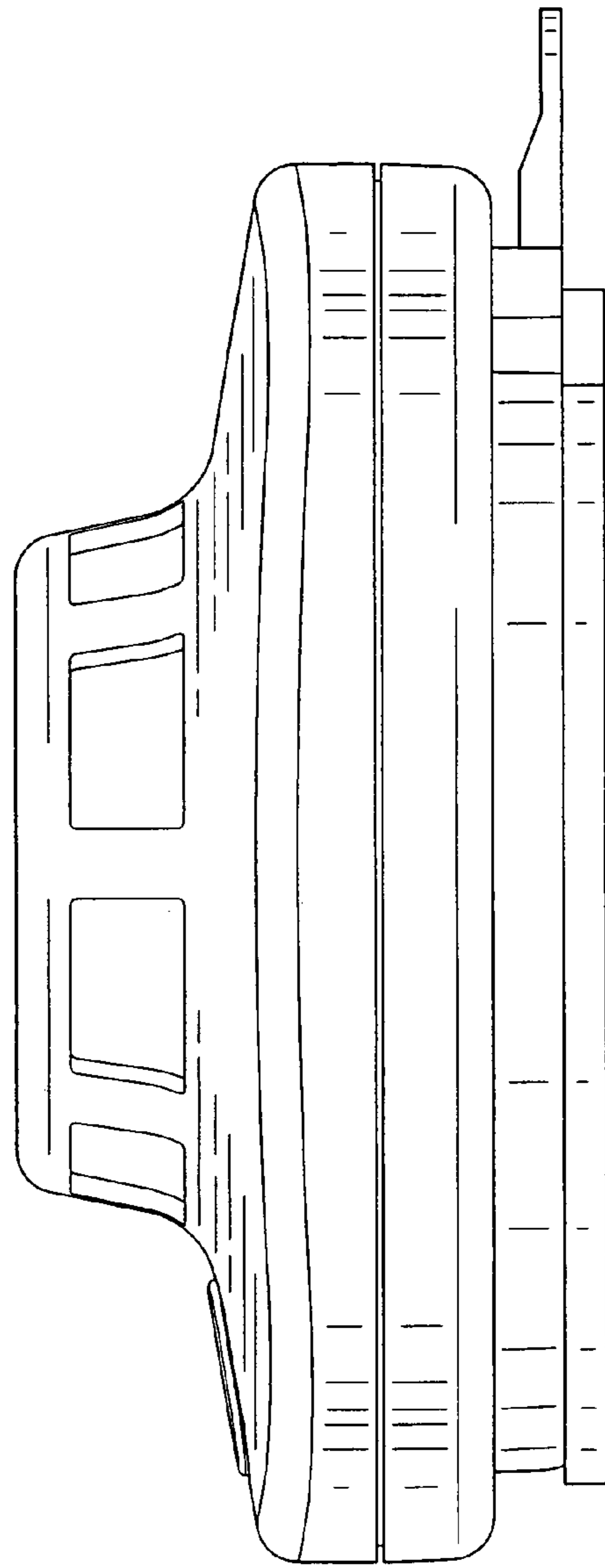


FIG. 7

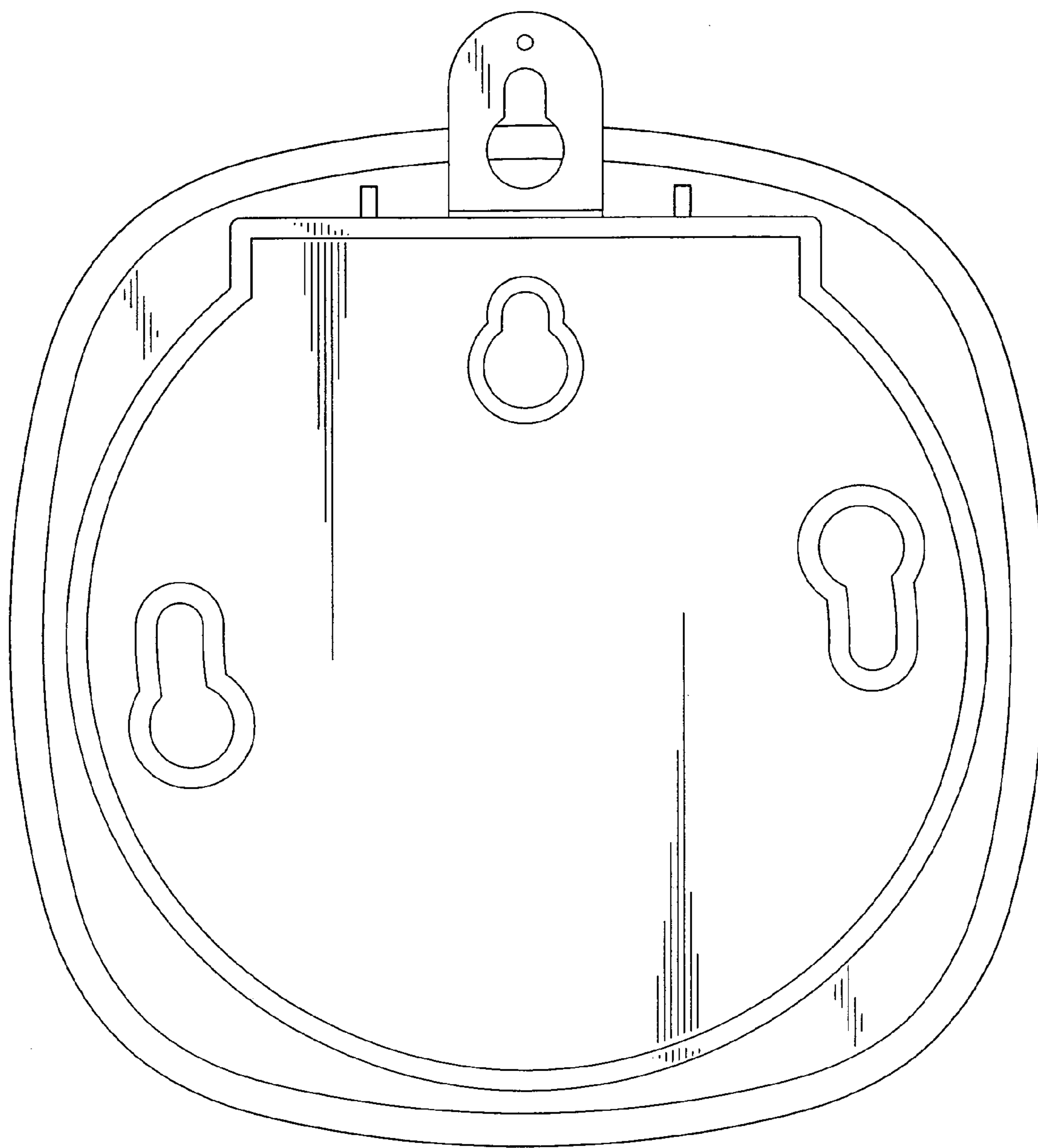


FIG. 8