



US00D591625S

(12) **United States Design Patent**
Taylor

(10) **Patent No.:** **US D591,625 S**
(45) **Date of Patent:** **** May 5, 2009**

(54) **WEIGHING APPARATUS AND INSTRUMENT**

(75) Inventor: **Ian Taylor**, Kenilworth (GB)

(73) Assignee: **Illinois Tool Works Inc.**, Glenview, IL
(US)

(**) Term: **14 Years**

(21) Appl. No.: **29/324,322**

(22) Filed: **Sep. 10, 2008**

(30) **Foreign Application Priority Data**

Mar. 11, 2008 (EM) 000895388-0002

(51) **LOC (9) Cl.** **10-04**

(52) **U.S. Cl.** **D10/91**

(58) **Field of Classification Search** D10/88-94;
177/210 R, 210 C, 210 GM, 210 PP, 236,
177/245, DIG. 3, 25.12-25.18, 177, 126,
177/1, 181, 25, 30, 127, 131, 148, 225, 21 EM,
177/21 FP, 212-214, 211; 600/506, 547
See application file for complete search history.

(56) **References Cited**

U.S. PATENT DOCUMENTS

D366,001 S * 1/1996 Mimoto D10/91
D367,620 S * 3/1996 Sassoli D10/91
D420,608 S * 2/2000 Lee D10/91
D423,385 S * 4/2000 Taylor D10/91

D556,069 S * 11/2007 Medugorac D10/91
2003/0205412 A1 * 11/2003 Hewitt et al. 177/25.15

* cited by examiner

Primary Examiner—Antoine D Davis

(74) *Attorney, Agent, or Firm*—Thompson Hine LLP

(57) **CLAIM**

The ornamental design for a weighing apparatus and instrument, as shown and described.

DESCRIPTION

FIG. 1 is a perspective view of an embodiment of a weighing apparatus;

FIG. 2 is front view of the weighing apparatus of FIG. 1;

FIG. 3 is a side view of the weighing apparatus of FIG. 1;

FIG. 4 is a side view of the weighing apparatus of FIG. 1;

FIG. 5 is a rear view of the weighing apparatus of FIG. 1;

FIG. 6 is a top view of the weighing apparatus of FIG. 1;

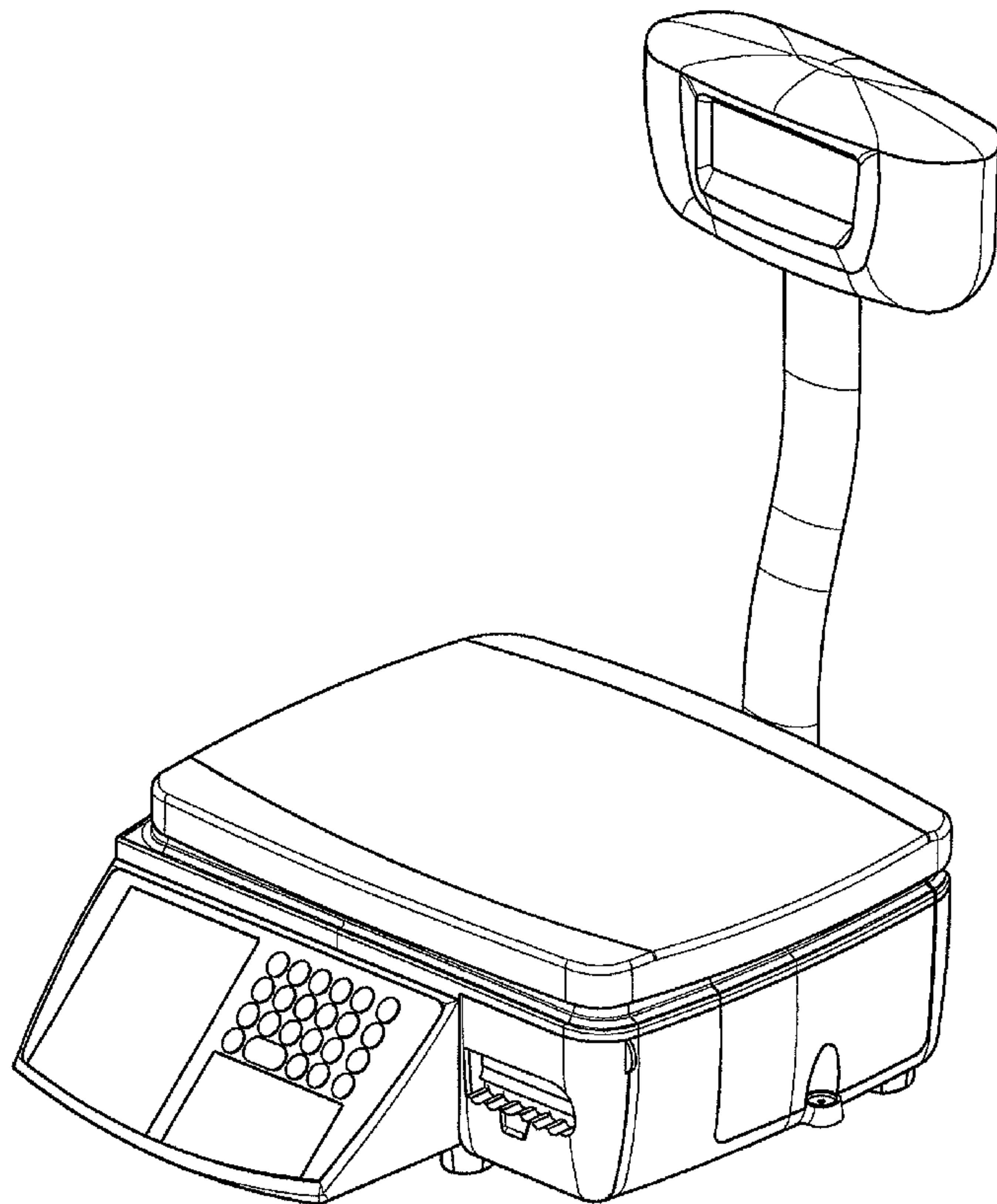
FIG. 7 is a bottom view of the weighing apparatus of FIG. 1;

FIG. 8 is a perspective view of another embodiment of a weighing apparatus; and,

FIG. 9 is a rear view of the weighing apparatus of FIG. 8.

The broken line showing of structural features is included for the purpose of illustrating non-claimed subject matter and forms no part of the claimed design.

1 Claim, 6 Drawing Sheets



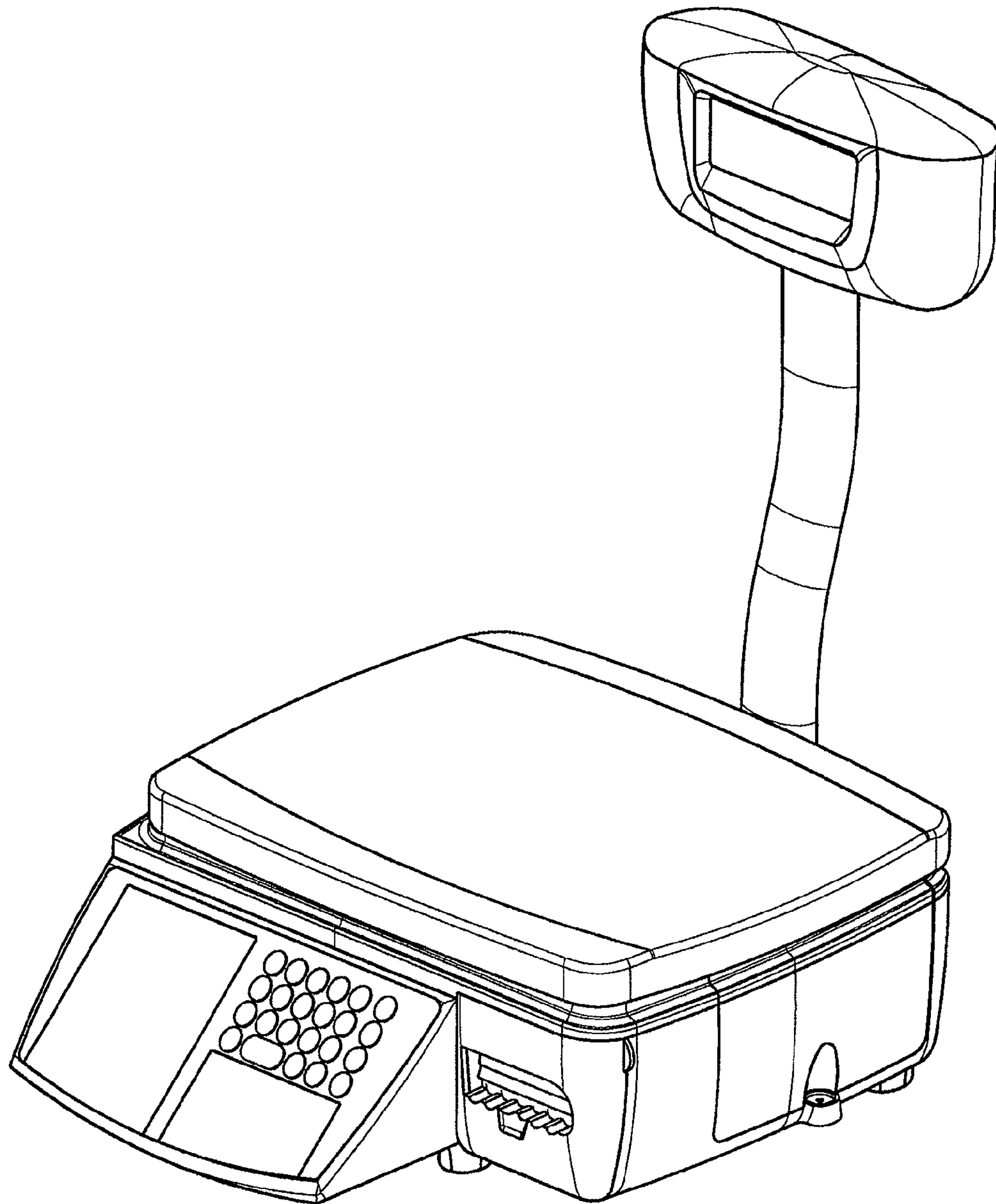


Fig. 1

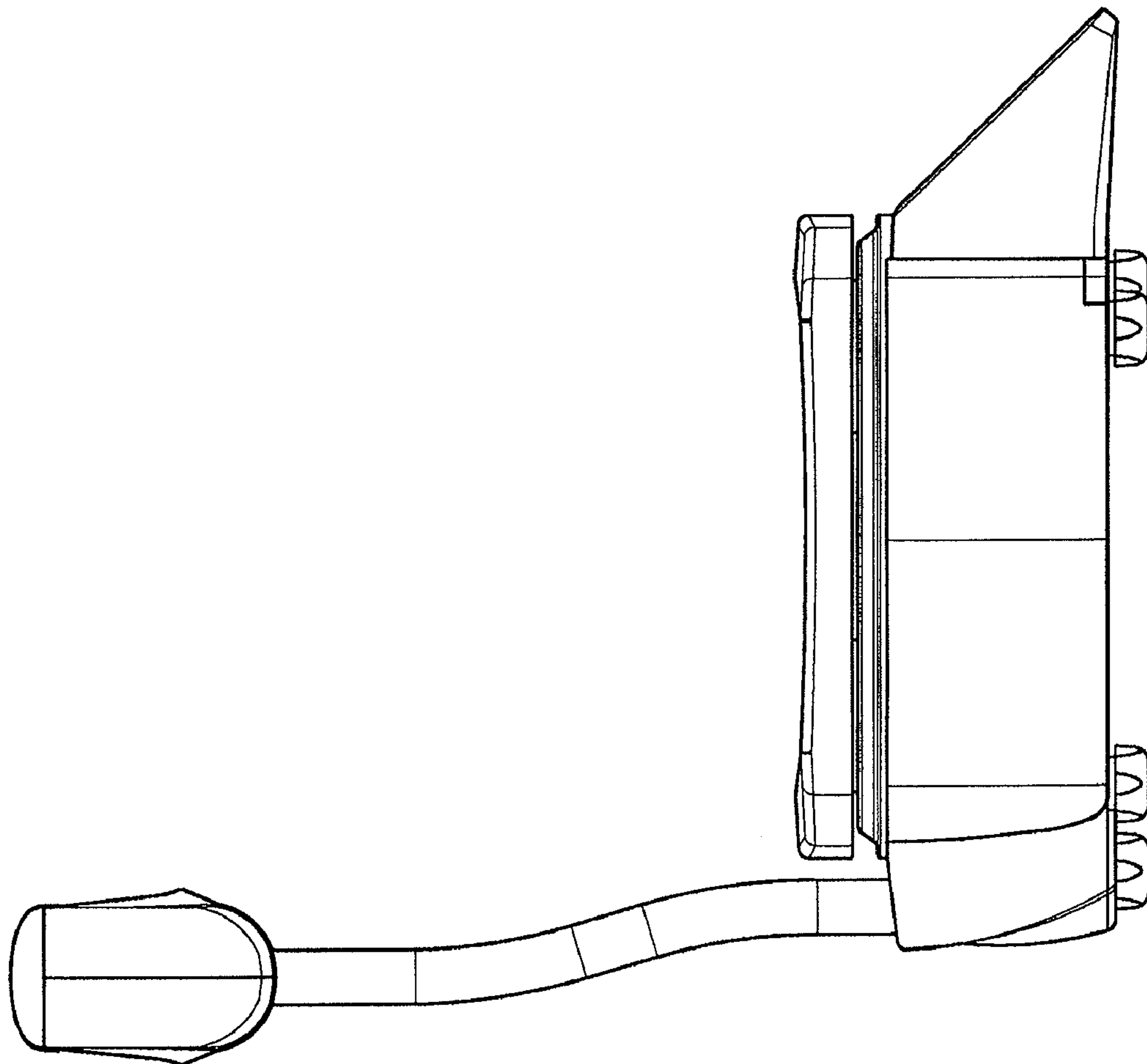


Fig. 2

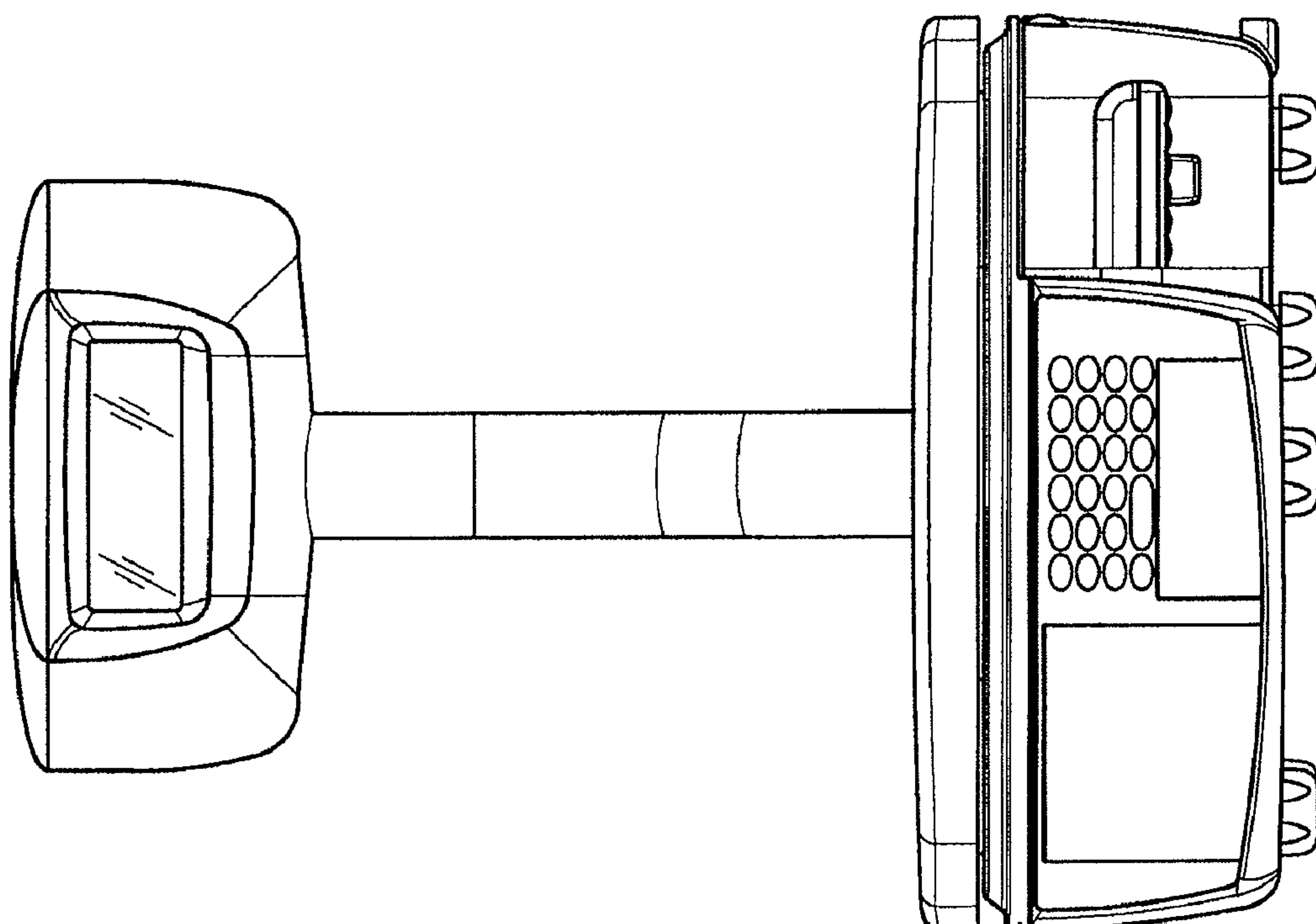


Fig. 3

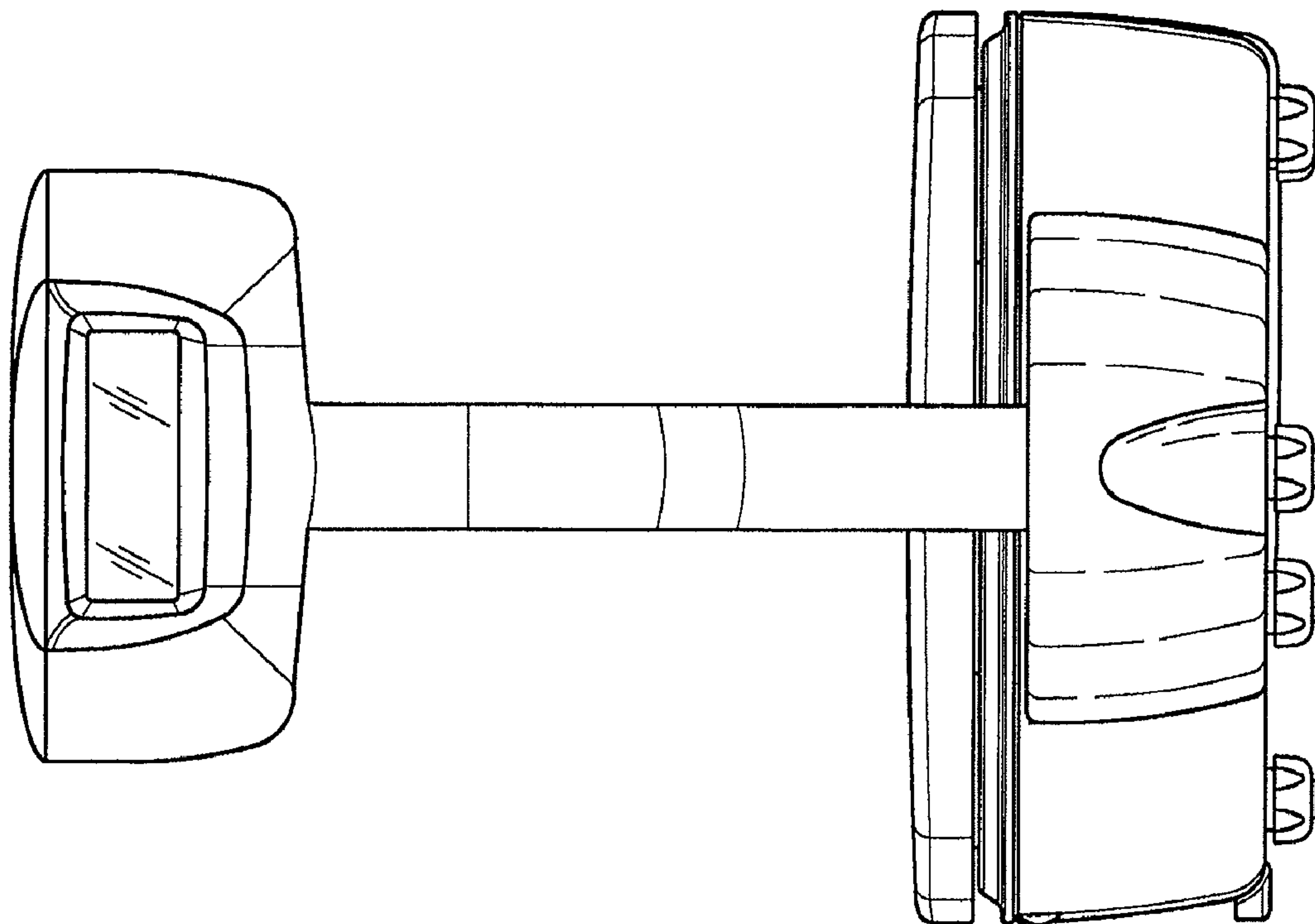


Fig. 5

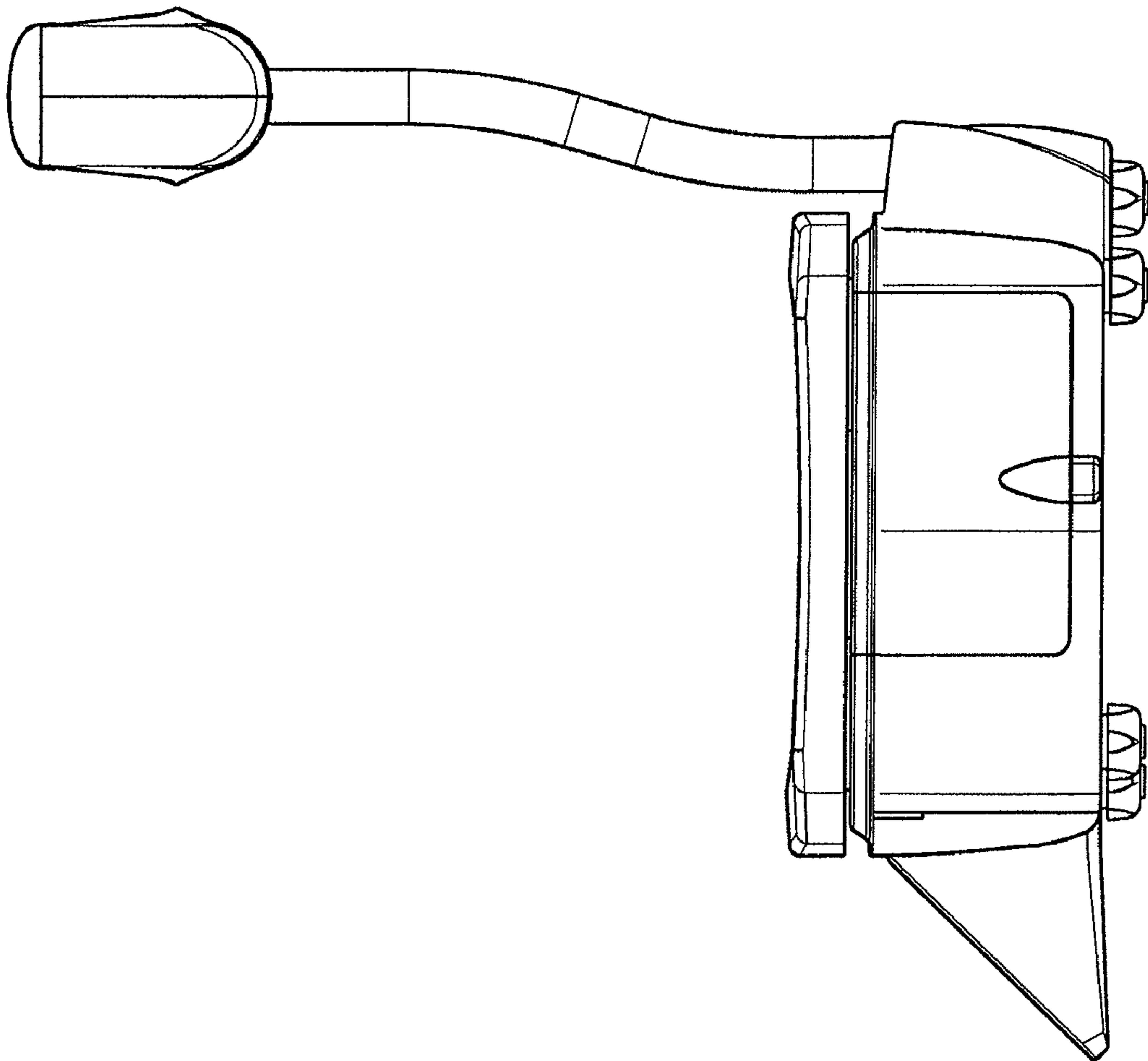


Fig. 4

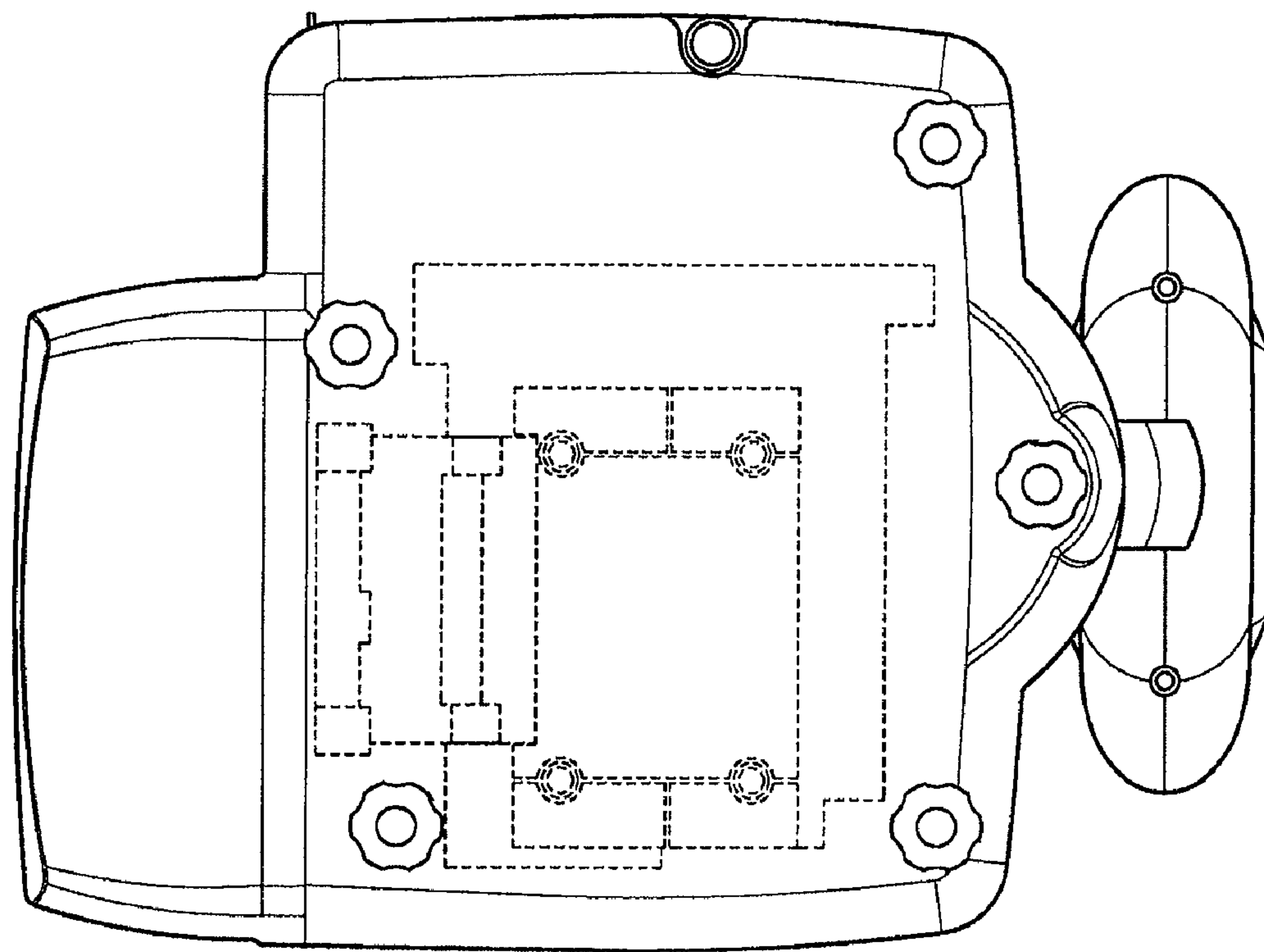


Fig. 7

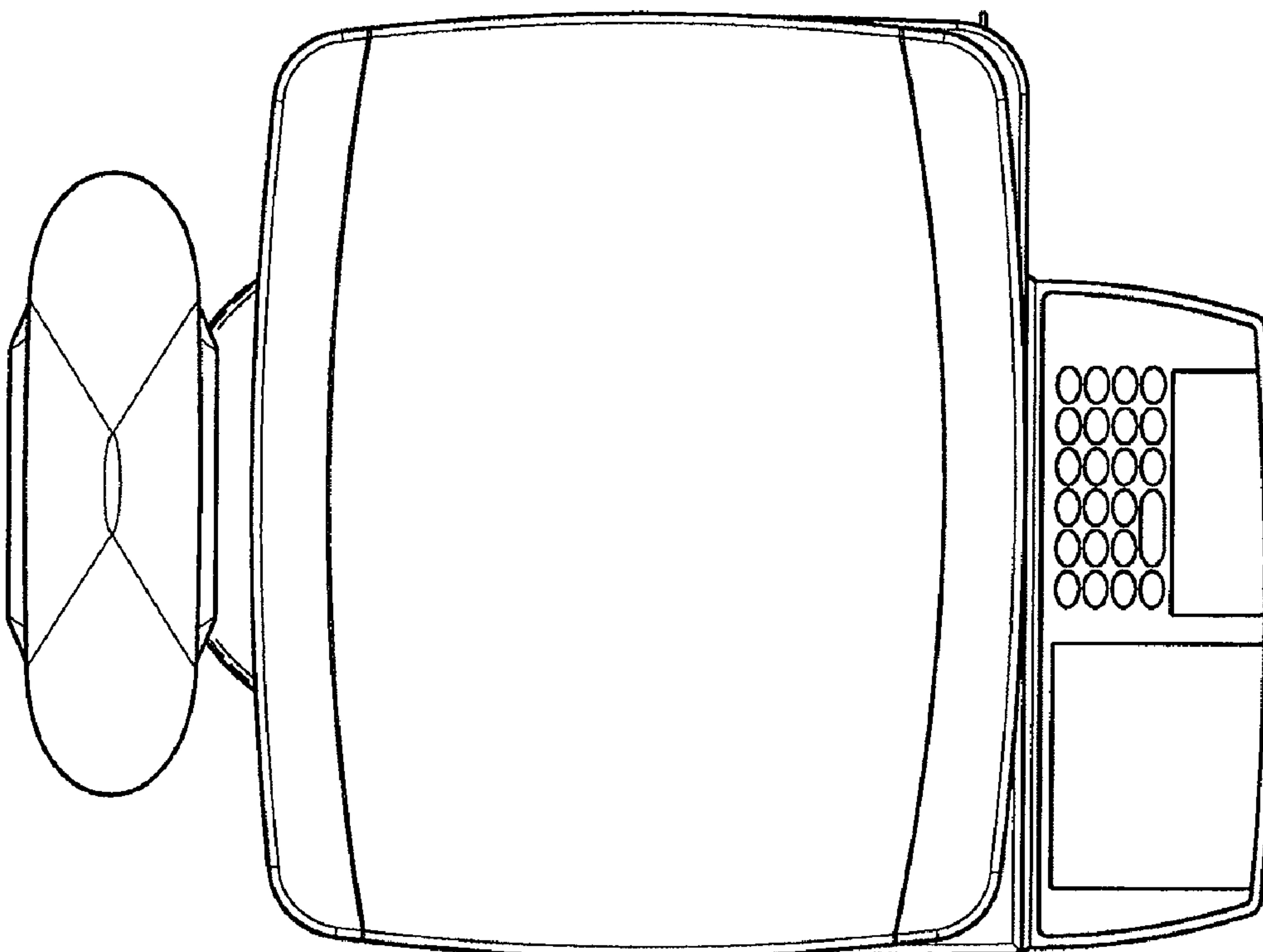


Fig. 6

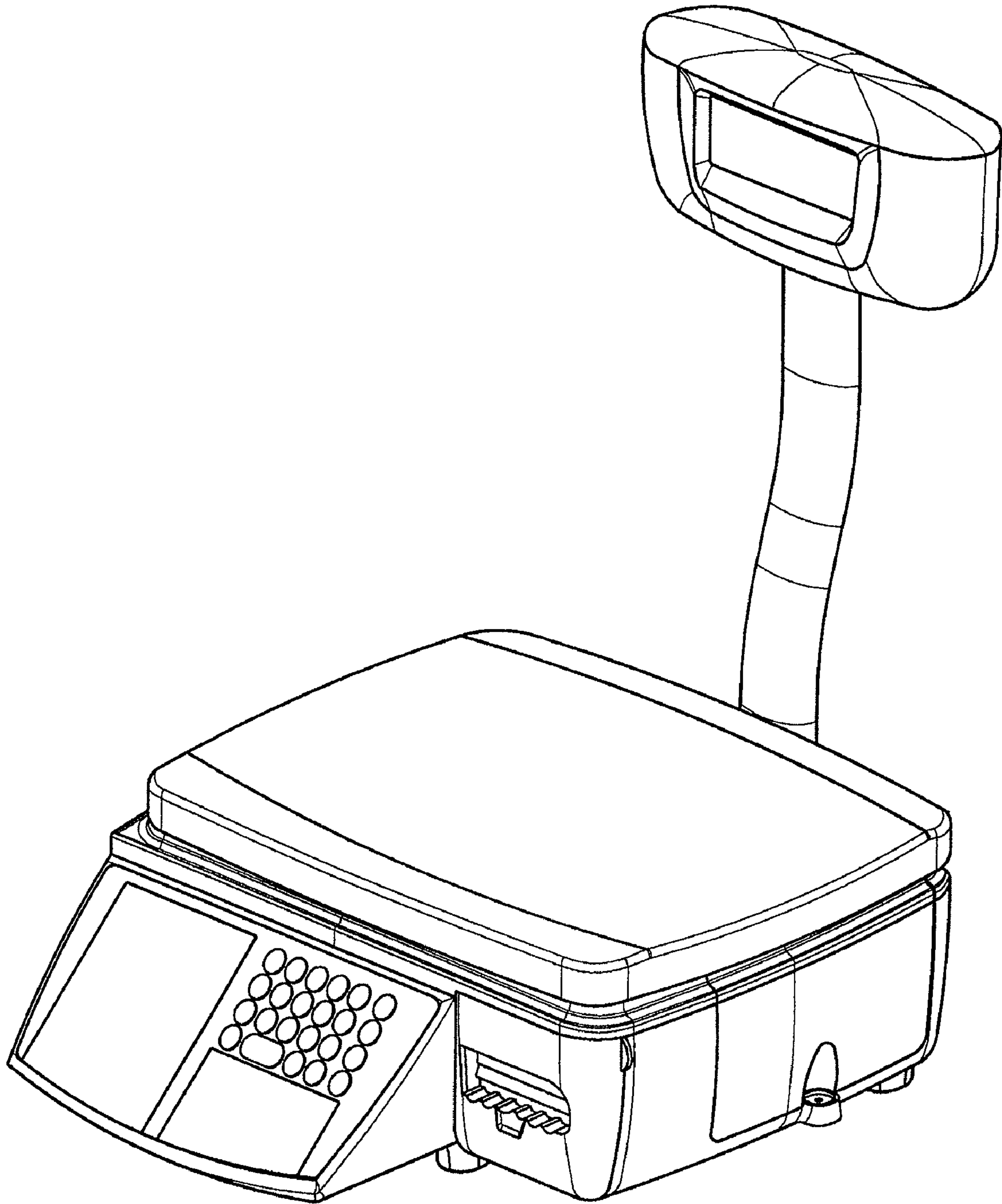


Fig. 8

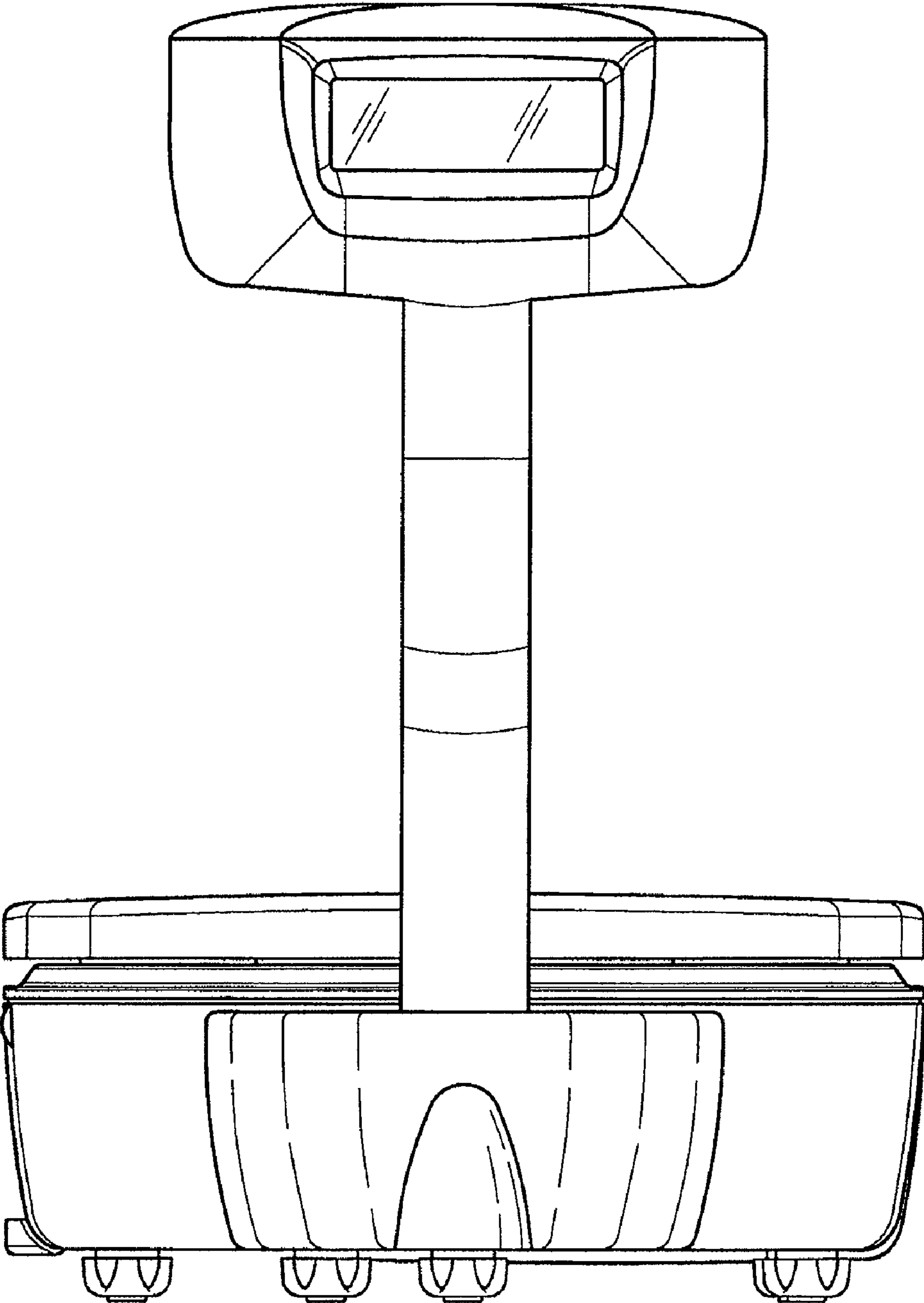


Fig. 9