



US00D591623S

(12) **United States Design Patent**
Taylor

(10) **Patent No.:** **US D591,623 S**

(45) **Date of Patent:** **** May 5, 2009**

(54) **WEIGHING APPARATUS AND INSTRUMENT**

2003/0127253 A1* 7/2003 Heyn 177/148

(75) Inventor: **Ian Taylor**, Kenilworth (GB)

* cited by examiner

(73) Assignee: **Illinois Tool Works Inc.**, Glenview, IL
(US)

Primary Examiner—Antoine D Davis

(74) *Attorney, Agent, or Firm*—Thompson Hine LLP

(**) Term: **14 Years**

(57) **CLAIM**

(21) Appl. No.: **29/324,330**

The ornamental design for a weighing apparatus and instruments, as shown and described.

(22) Filed: **Sep. 10, 2008**

DESCRIPTION

(30) **Foreign Application Priority Data**

Mar. 11, 2008 (EM) RCD000895388-0005

FIG. 1 is a perspective view of an embodiment of a weighing apparatus;

FIG. 2 is rear perspective view of the weighing apparatus of FIG. 1;

(51) **LOC (9) Cl.** **10-04**

(52) **U.S. Cl.** **D10/88; D10/89**

(58) **Field of Classification Search** D10/88-94;
177/210 R, 210 C, 210 GM, 210 PP, 236,
177/245, DIG. 3, 25.12-25.18, 177, 126,
177/1, 181, 25, 30, 127, 131, 148, 225, 21 EM,
177/21 FP, 212-214, 211; 600/506, 547
See application file for complete search history.

FIG. 3 is a side view of the weighing apparatus of FIG. 1;

FIG. 4 is a front view of the weighing apparatus of Fig. 1;

FIG. 5 is a side view of the weighing apparatus of FIG. 1;

FIG. 6 is a rear view of the weighing apparatus of FIG. 1;

FIG. 7 is a top view of the weighing apparatus of FIG. 1;

FIG. 8 is a bottom view of the weighing apparatus of FIG. 1;

FIG. 9 is a perspective view of another embodiment of a weighing apparatus;

FIG. 10 is a rear view of the weighing apparatus of FIG. 9;
and,

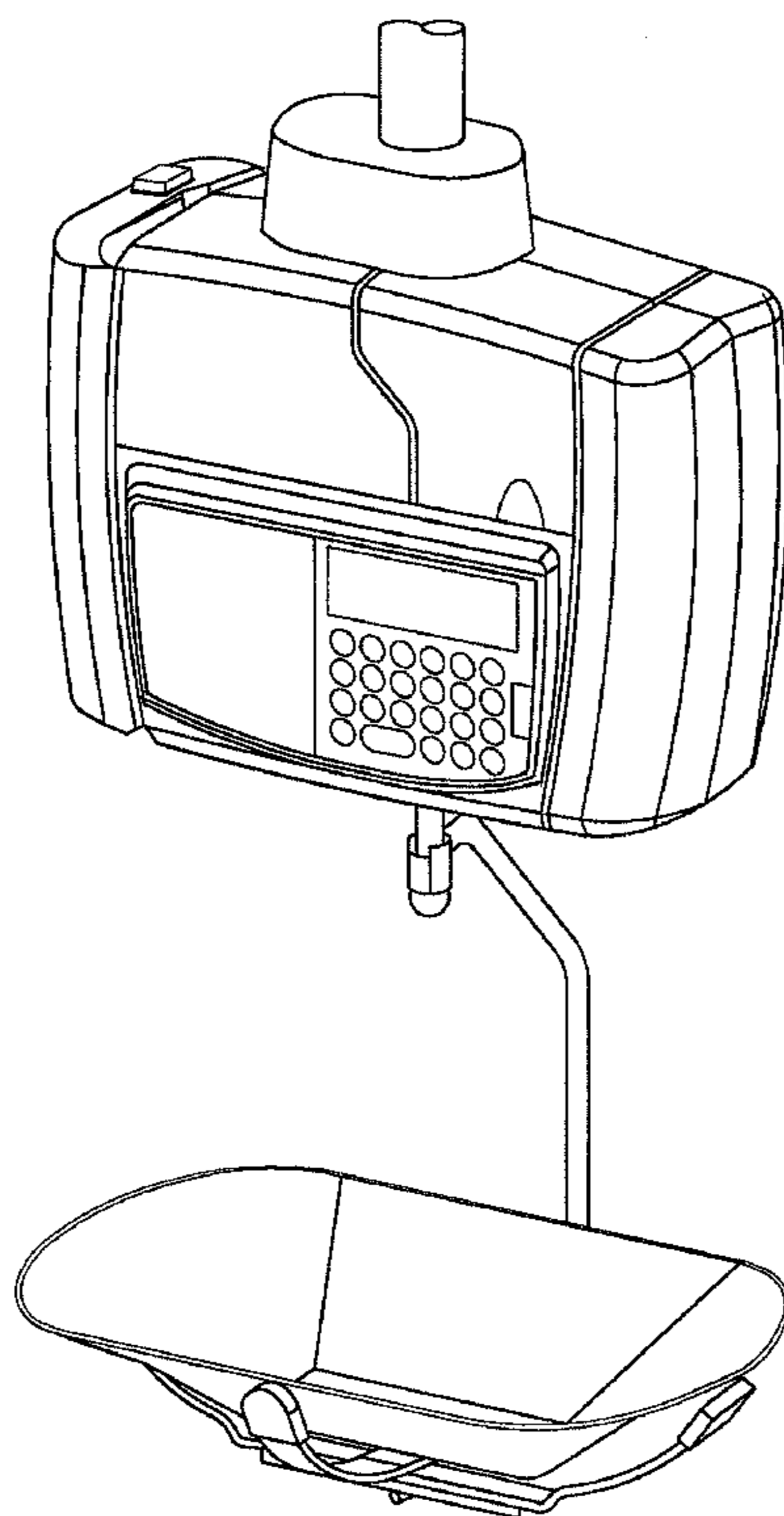
FIG. 11 is a side view of the weighing apparatus of FIG. 9.

(56) **References Cited**

U.S. PATENT DOCUMENTS

4,936,399 A * 6/1990 Christman et al. 177/210 C
D403,976 S * 1/1999 Suzuki et al. D10/88
D423,964 S * 5/2000 Gander et al. D10/88
2002/0195282 A1* 12/2002 Thadani 177/148

1 Claim, 8 Drawing Sheets



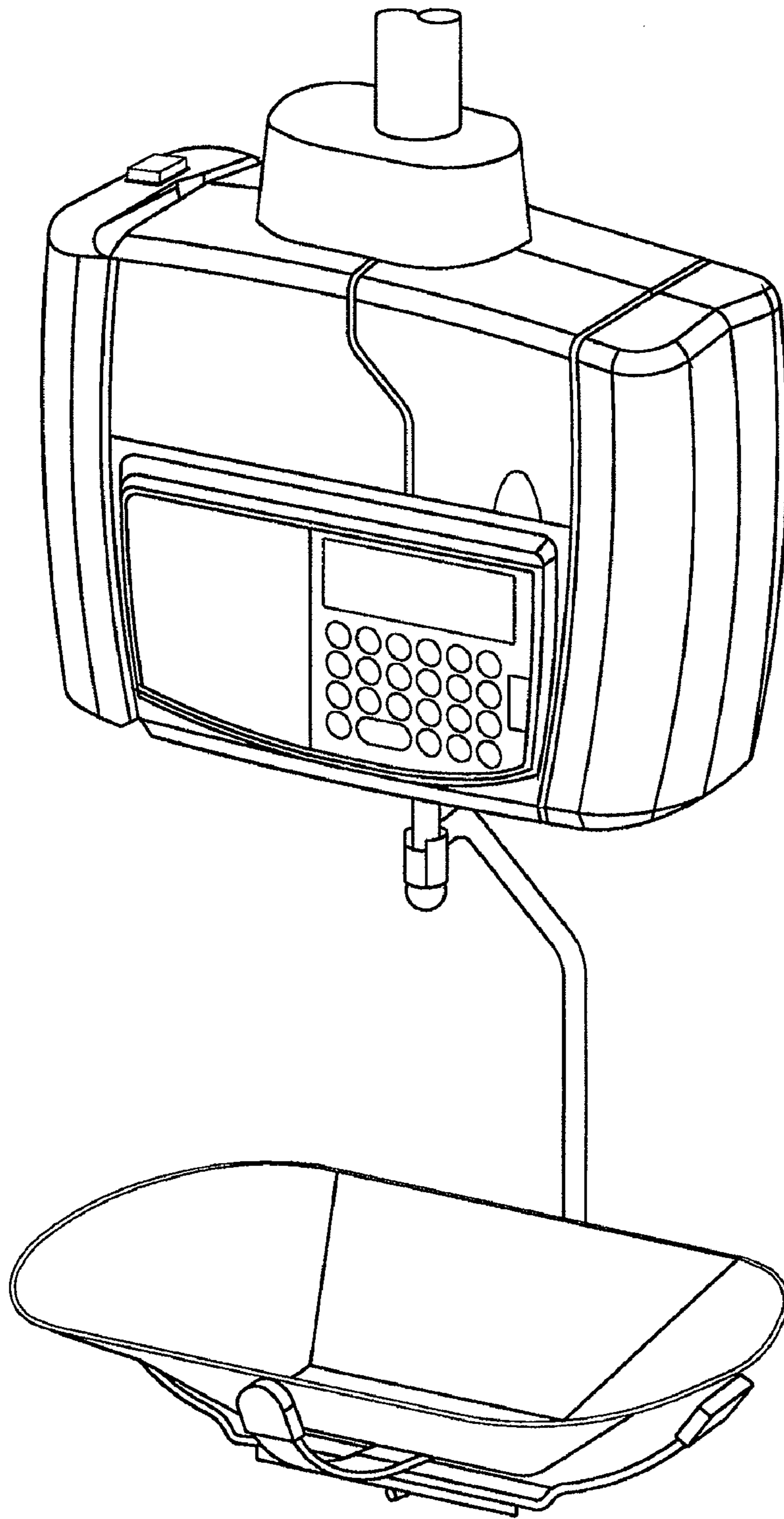


Fig. 1

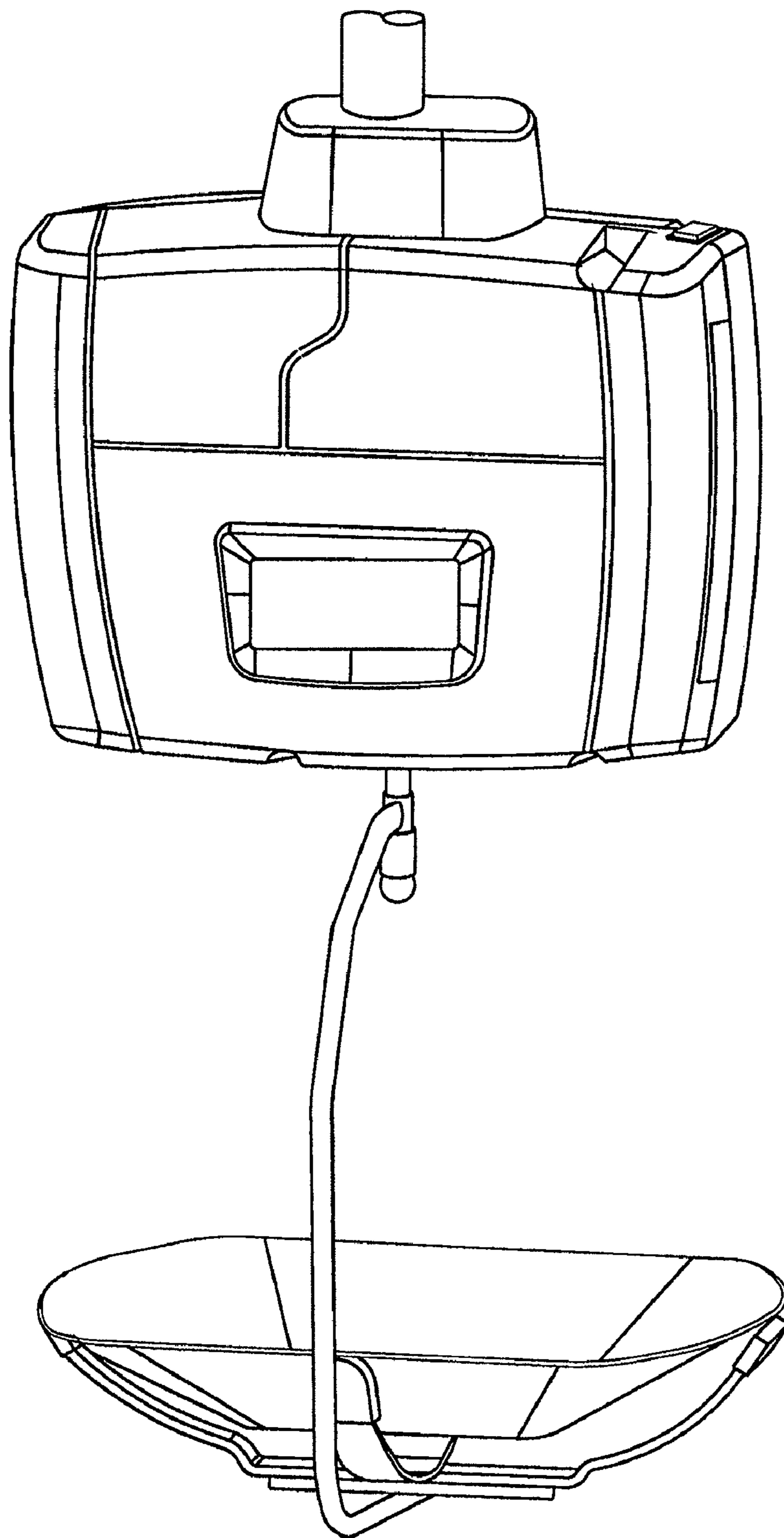


Fig. 2

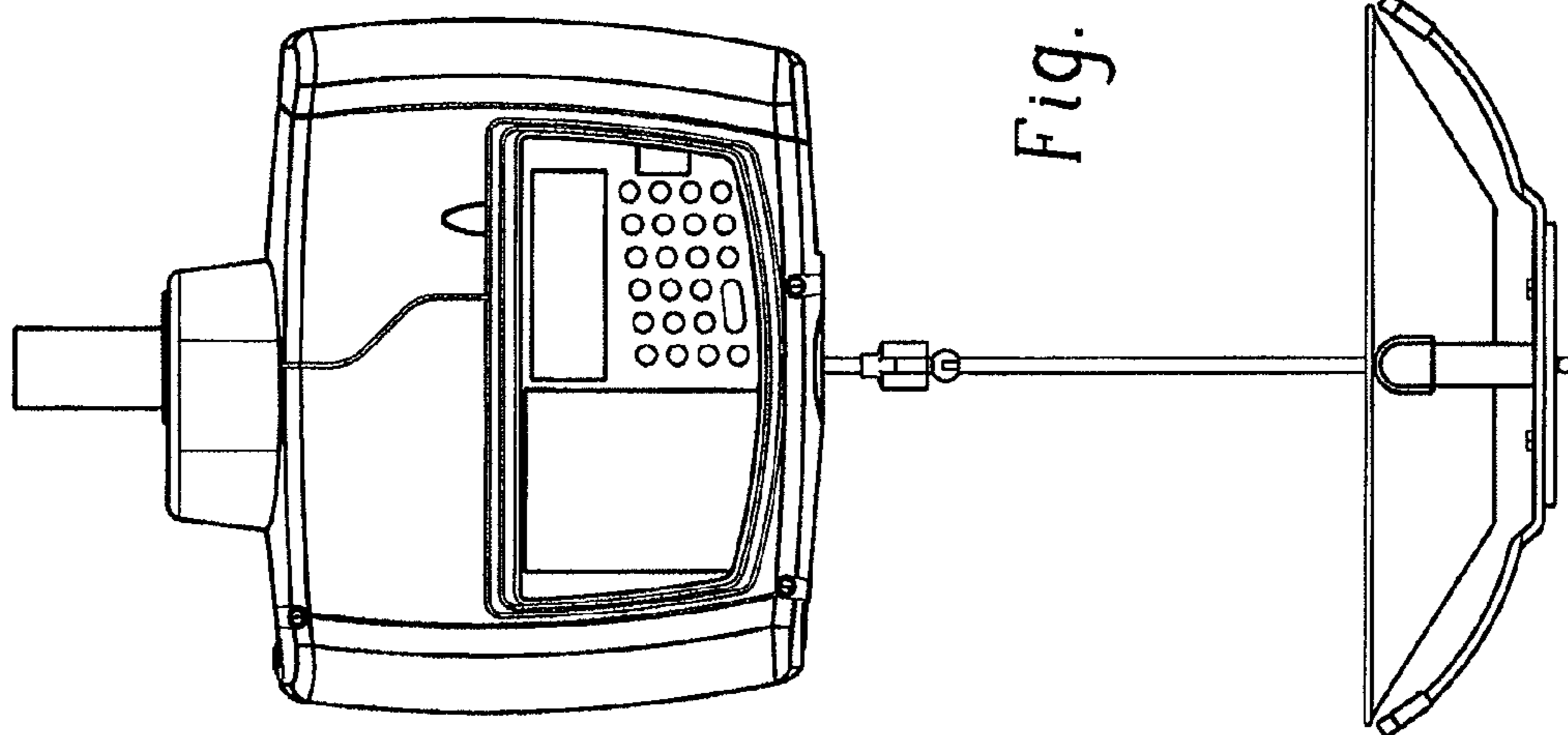


Fig. 4

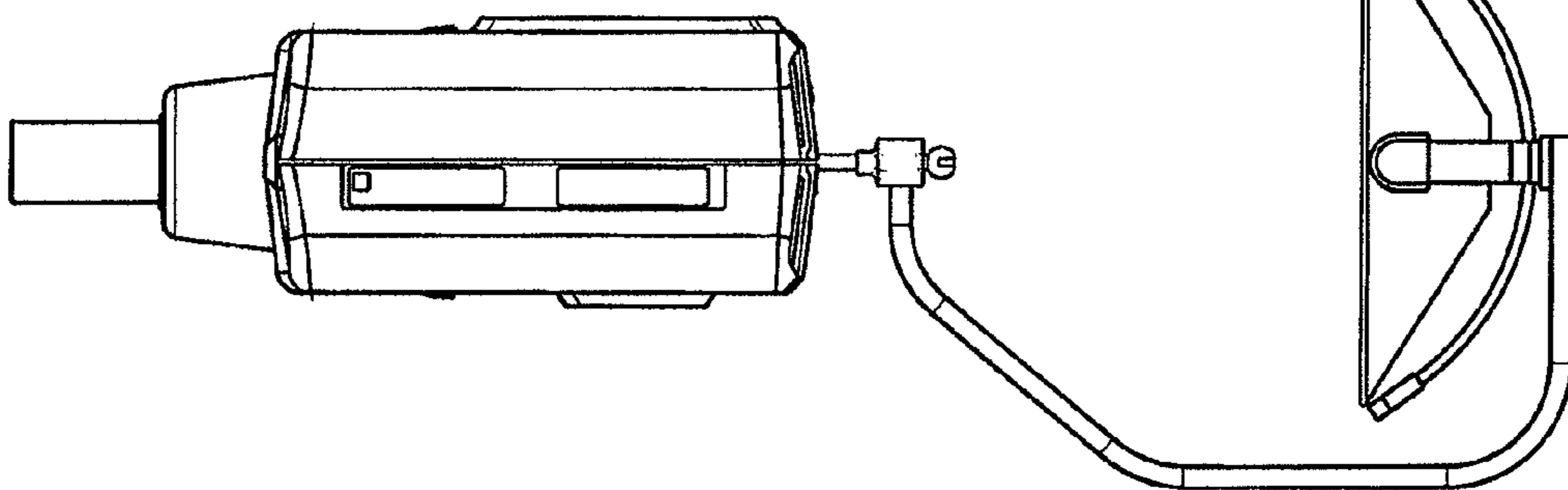


Fig. 3

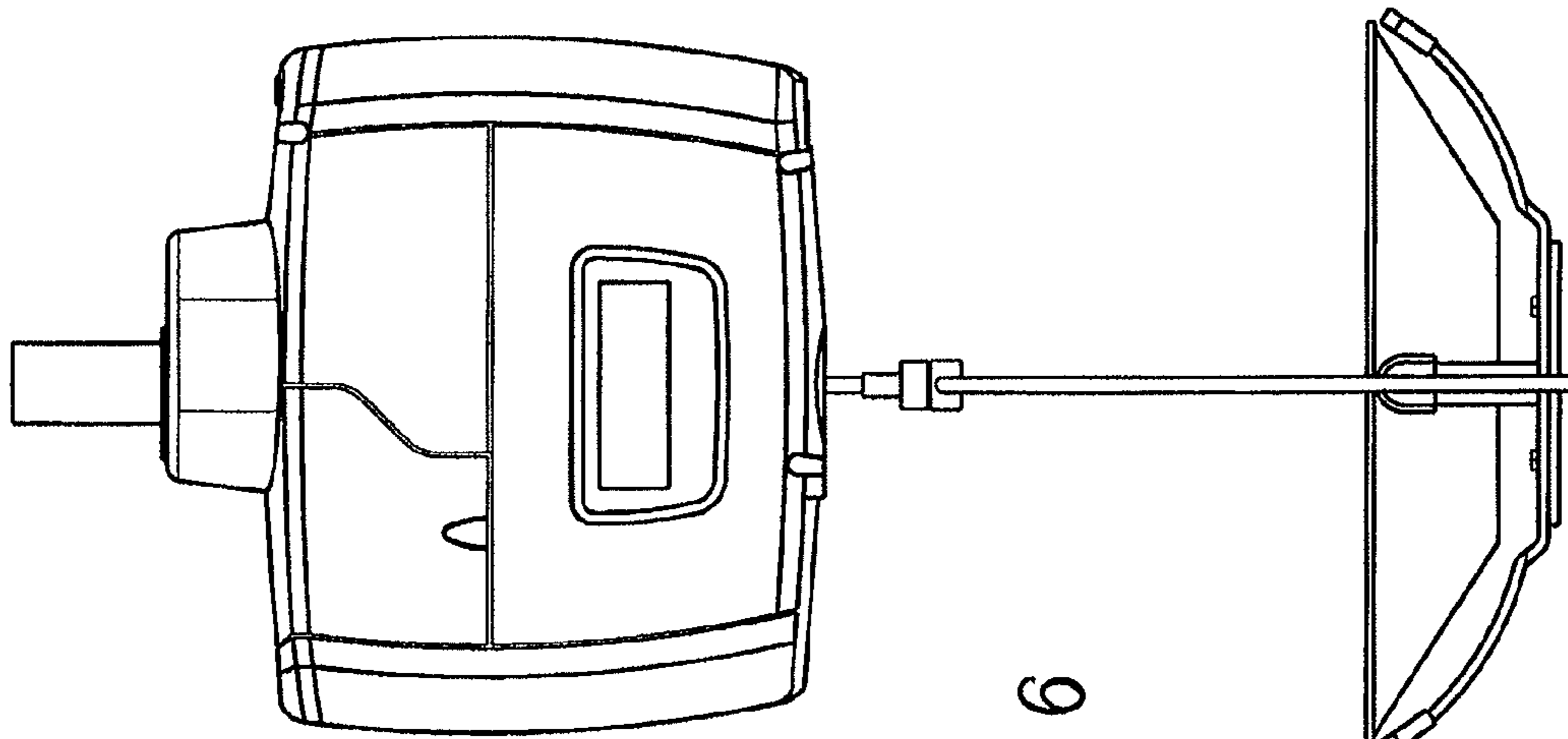


Fig. 6

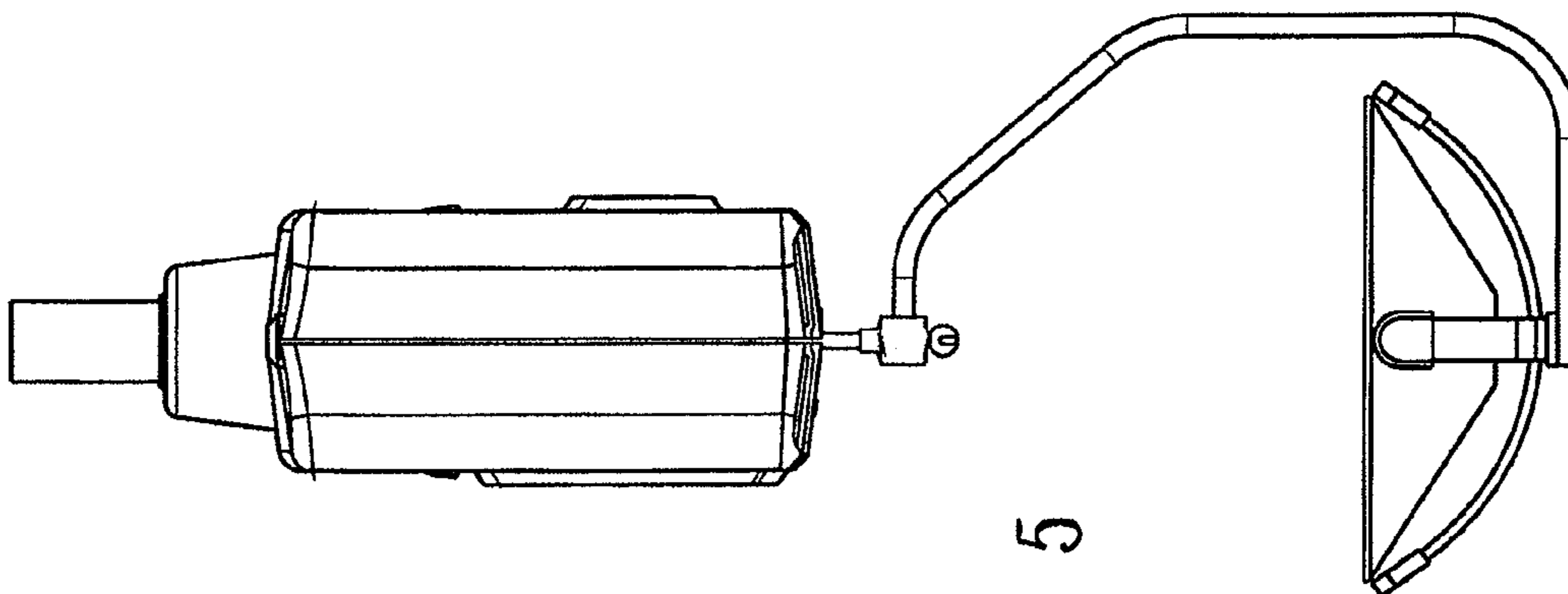


Fig. 5

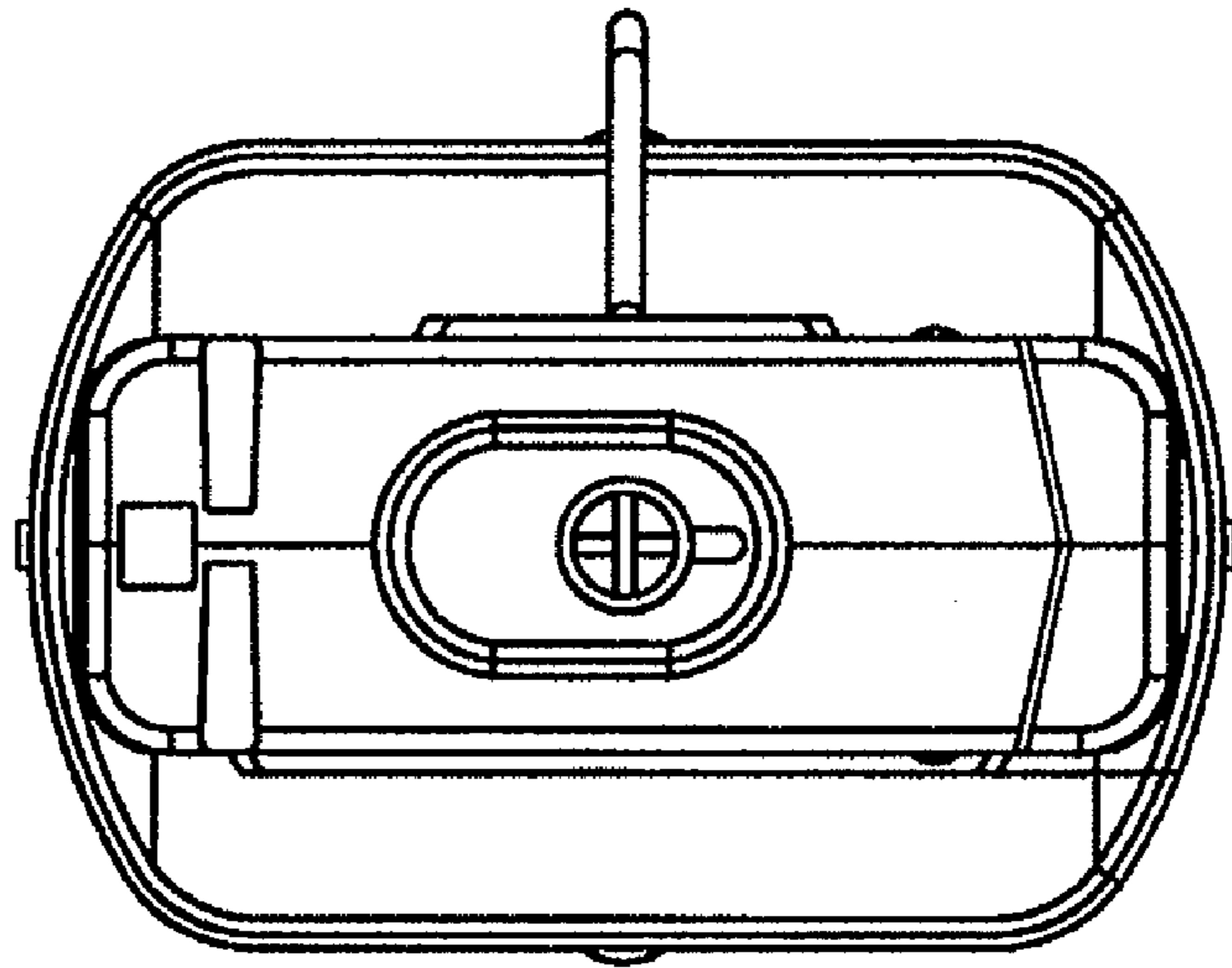


Fig. 7

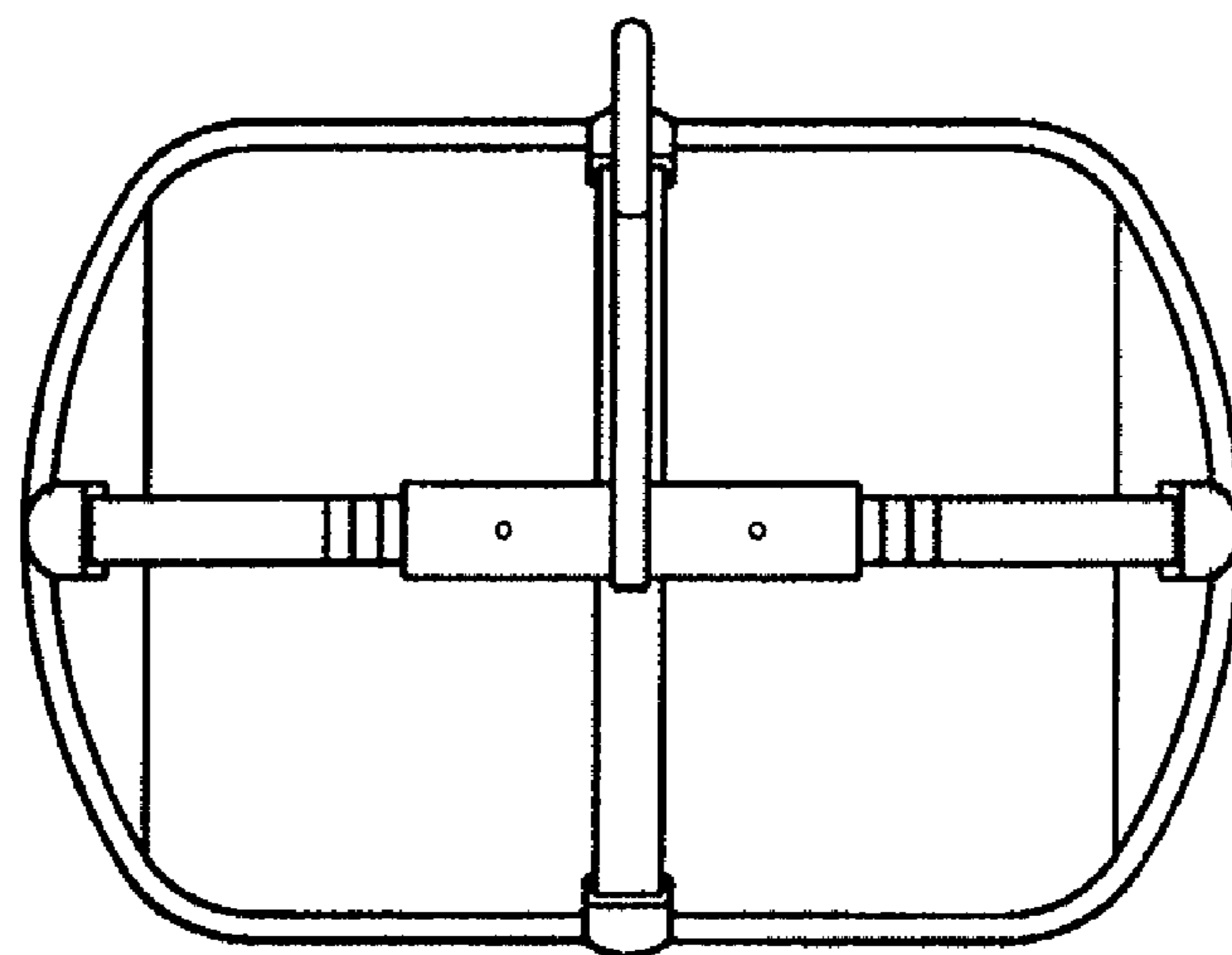


Fig. 8

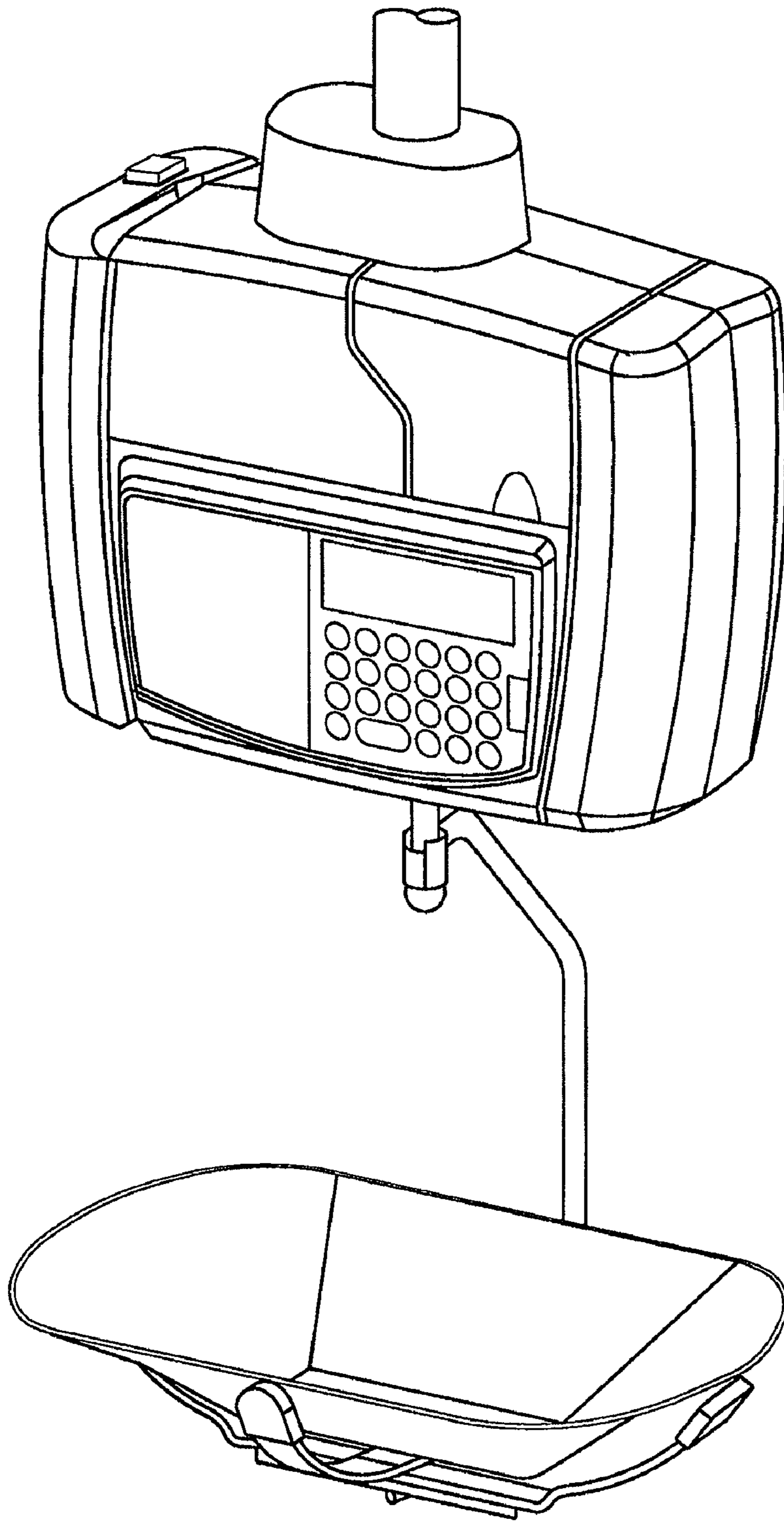


Fig. 9

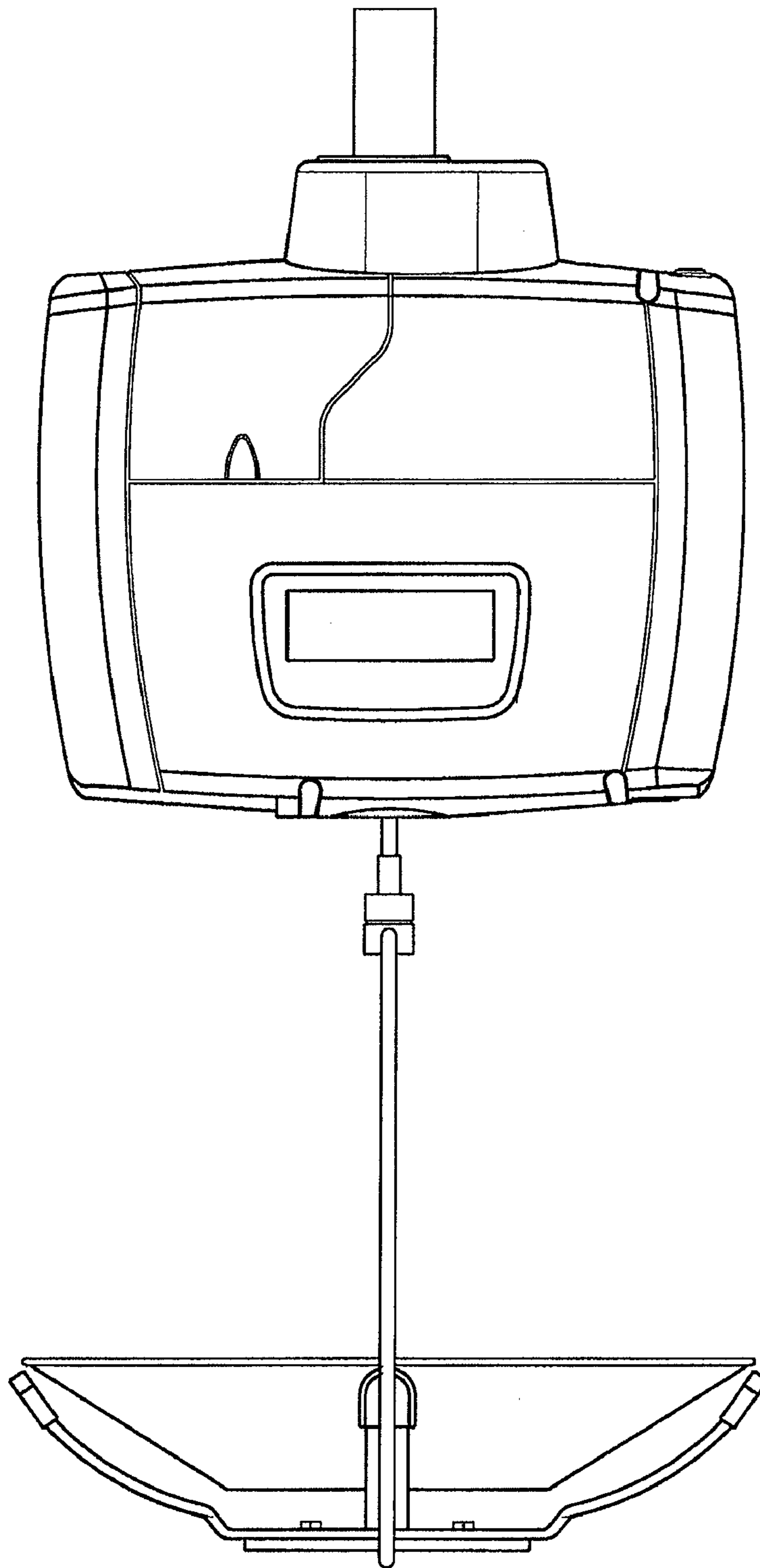


Fig. 10

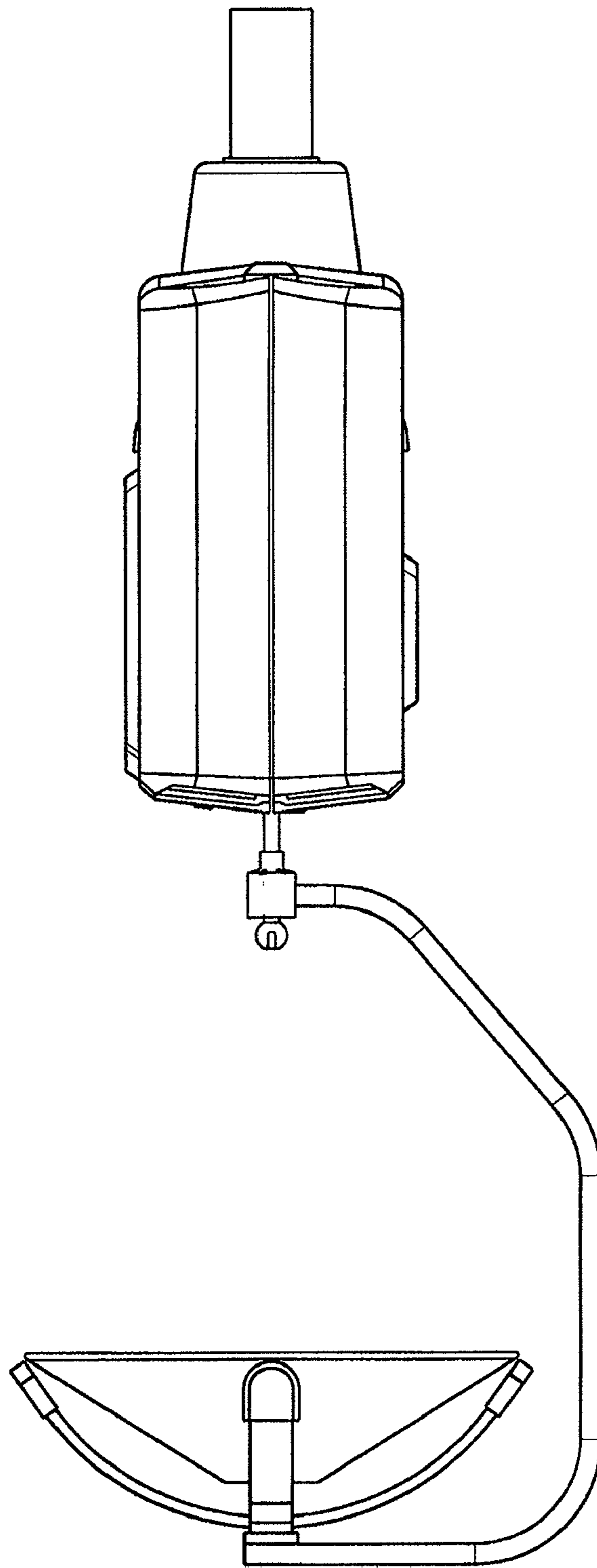


Fig. 11