



US00D591621S

(12) **United States Design Patent**
Nataf

(10) **Patent No.:** **US D591,621 S**

(45) **Date of Patent:** **** May 5, 2009**

(54) **WATCH CASE WITH DIAL**

(75) Inventor: **Thierry Nataf**, Paris (FR)

(73) Assignee: **Zenith International SA**, Le Locle (CH)

(**) Term: **14 Years**

(21) Appl. No.: **29/322,755**

(22) Filed: **Aug. 12, 2008**

(30) **Foreign Application Priority Data**

Feb. 15, 2008 (WO) DM/069 715

(51) **LOC (9) Cl.** **10-02**

(52) **U.S. Cl.** **D10/39**

(58) **Field of Classification Search** D10/30-39,
D10/122-132; 368/276, 281, 282, 285, 80,
368/223, 228, 232, 294, 295, 21-27, 28
See application file for complete search history.

(56) **References Cited**

U.S. PATENT DOCUMENTS

2,361,563	A *	10/1944	Pellaton	368/80
2,385,234	A *	9/1945	Schmitz	368/288
3,427,800	A *	2/1969	Blum	368/223
3,570,239	A *	3/1971	Charles	368/11
4,972,393	A *	11/1990	Sase et al.	368/28
D333,101	S *	2/1993	Krieger	D10/39
D337,277	S *	7/1993	Scarlinzi et al.	D10/39
D424,952	S *	5/2000	Porsche et al.	D10/32
D438,472	S *	3/2001	Fichter	D10/39
6,275,450	B1 *	8/2001	Makiba	368/80
6,570,823	B1 *	5/2003	Gilomen et al.	368/113
6,776,519	B2 *	8/2004	Eleuterio et al.	368/295
D512,923	S *	12/2005	Bolt et al.	D10/39
D513,710	S *	1/2006	Nataf	D10/126

D519,389	S *	4/2006	Takahashi	D10/32
D526,923	S *	8/2006	Okaya	D10/126
D536,996	S *	2/2007	Loth	D10/32
D551,095	S *	9/2007	Monachon	D10/32
D551,101	S *	9/2007	Nataf	D10/38
7,313,054	B2 *	12/2007	Matthey et al.	368/223
D564,930	S *	3/2008	Kume	D10/126

OTHER PUBLICATIONS

Watches International VI, The Original Annual of the World's Finest Wristwatches, Tourbillon International Publishing, copyright 2005, p. 457, Roger Dubuis' Hommage Flying Tourbillon.*

Watches International VI, The Original Annual of the World's Finest Wristwatches, Tourbillon International Publishing, copyright 2005, p. 517, Zenith El Primero watch.*

* cited by examiner

Primary Examiner—Lucy Lieberman

(74) *Attorney, Agent, or Firm*—Gottlieb, Rackman & Reisman, P.C.

(57) **CLAIM**

The ornamental design for a watch case with dial, as shown and described.

DESCRIPTION

FIG. 1 is a front perspective view of a watch case with dial showing my new design;

FIG. 2 is a front elevational view thereof;

FIG. 3 is a rear elevational view thereof;

FIG. 4 is a left side elevational view thereof;

FIG. 5 is a right side elevational view thereof;

FIG. 6 is a top plan view thereof; and,

FIG. 7 is a bottom plan view thereof.

1 Claim, 4 Drawing Sheets

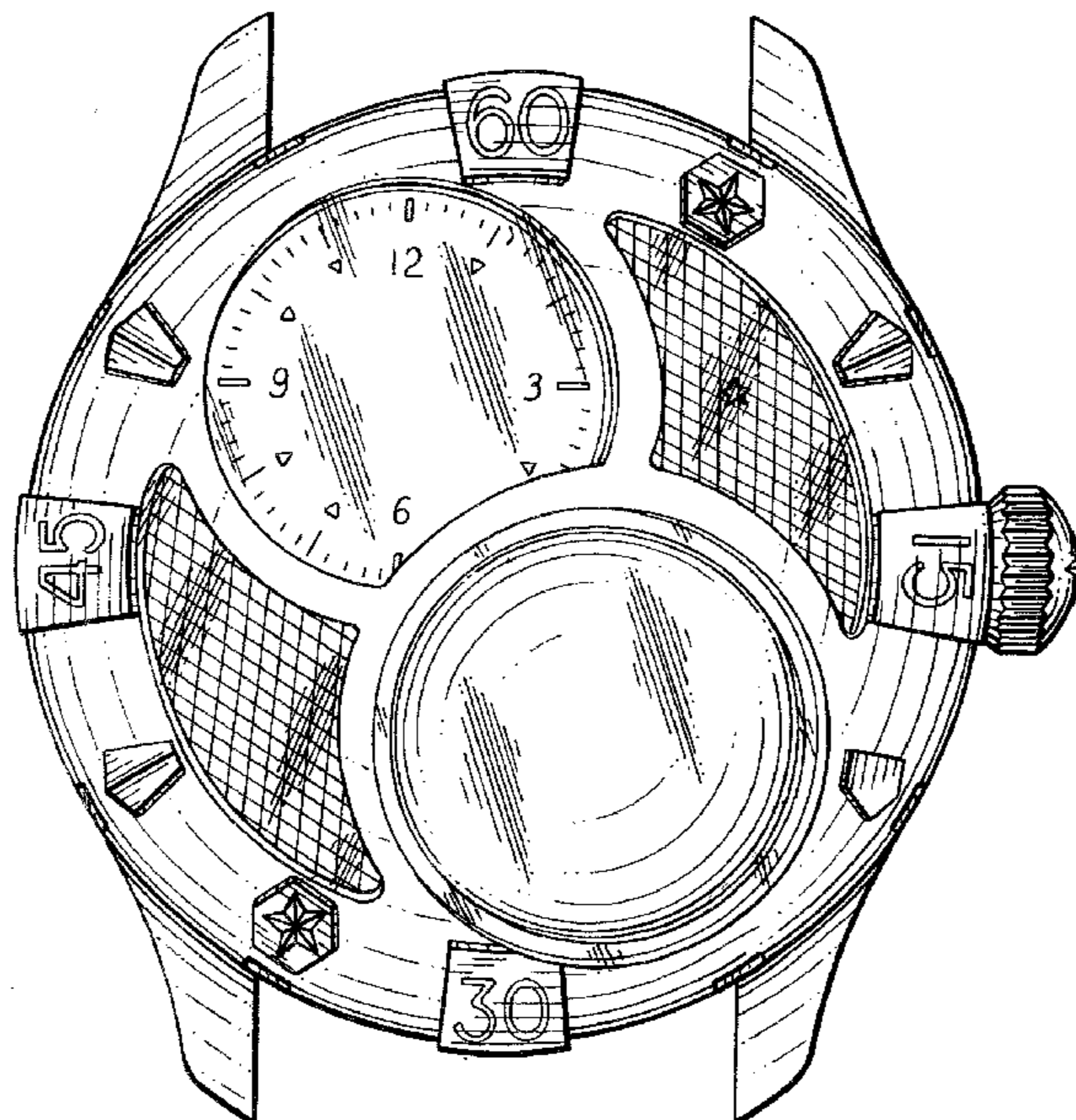
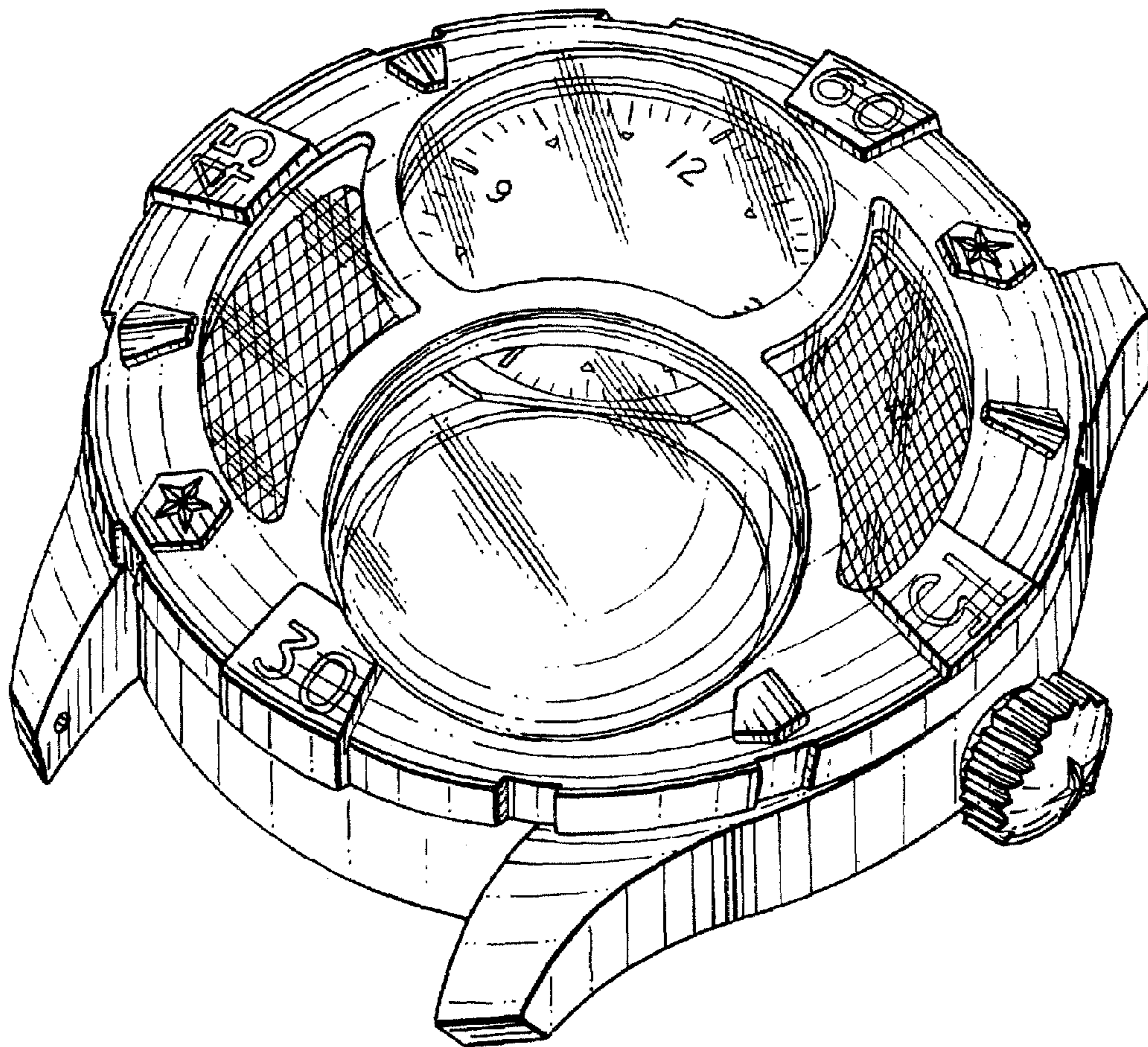


FIG. 1



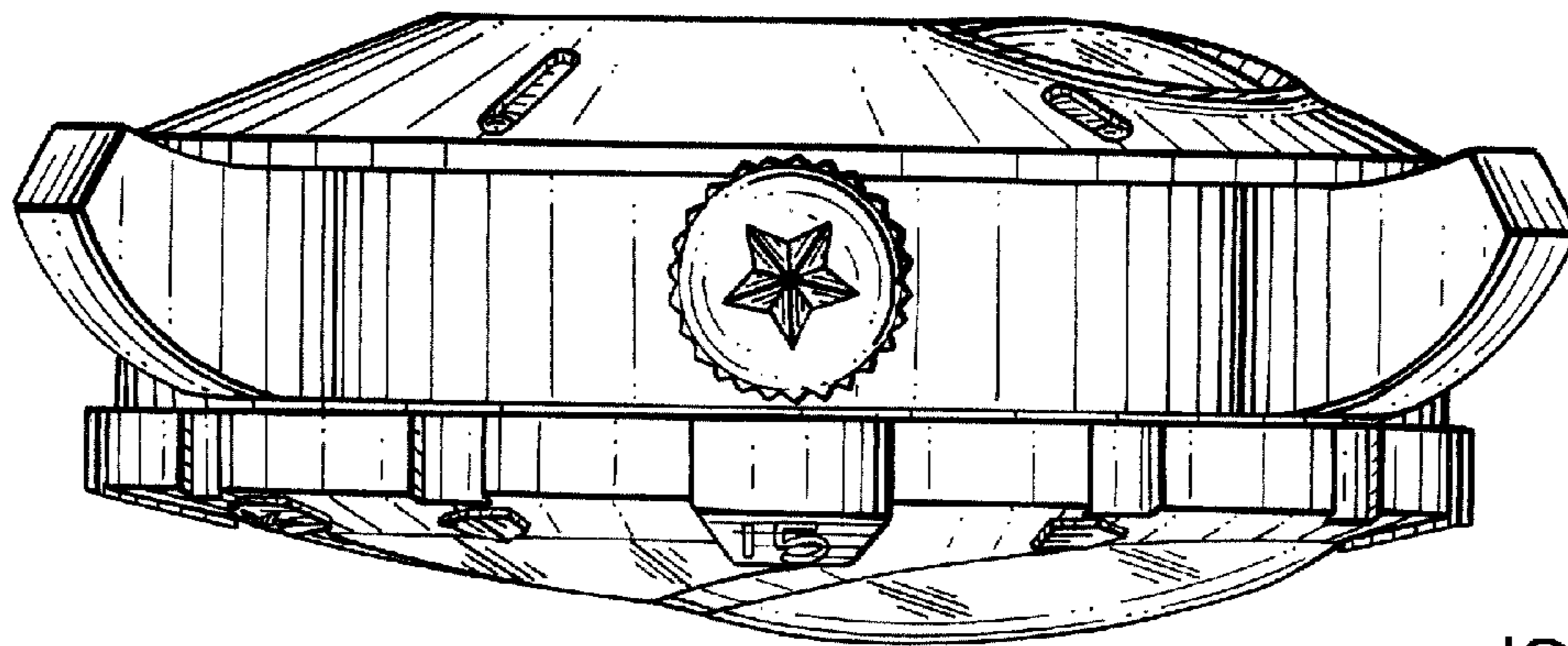


FIG. 5

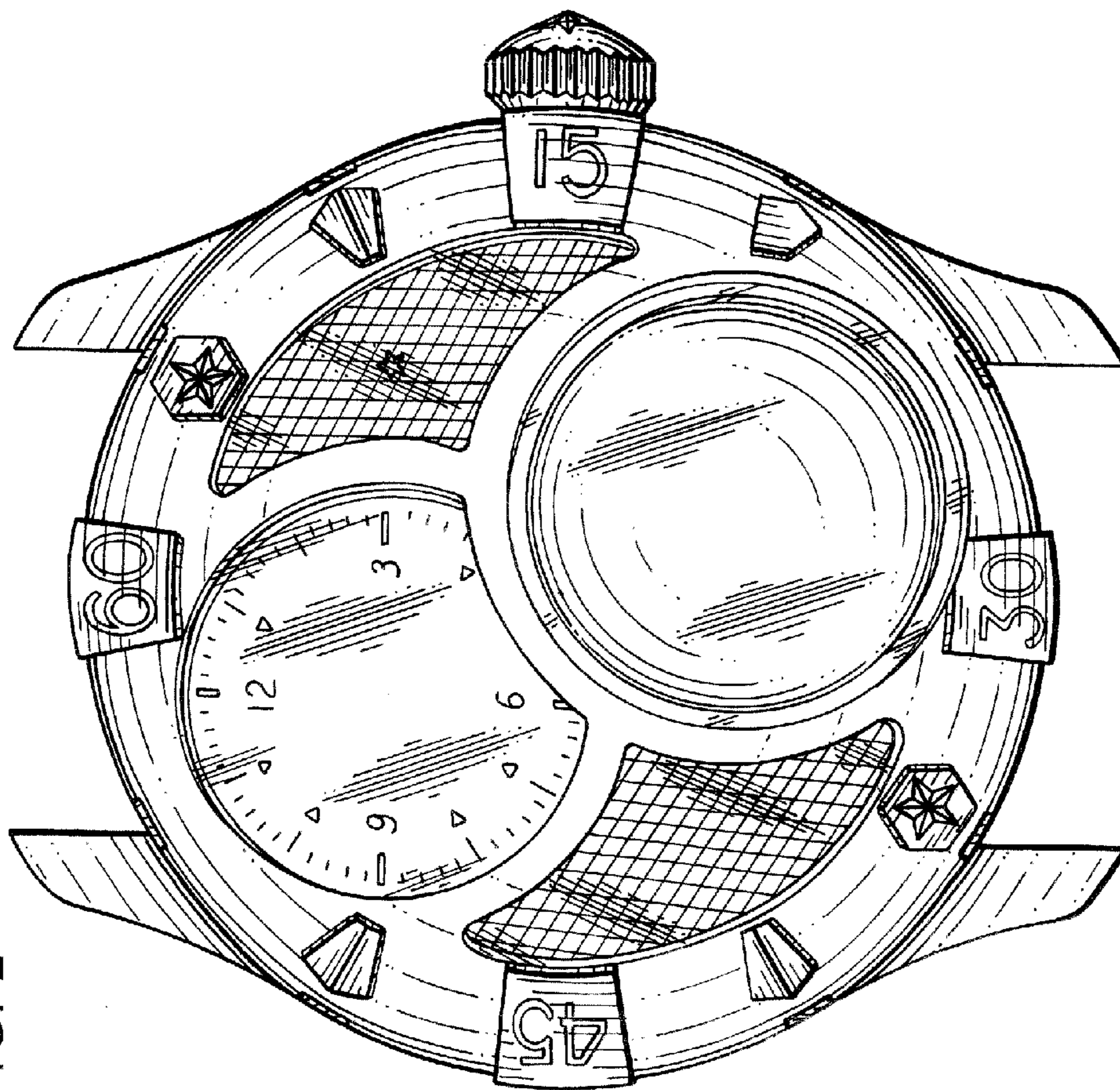


FIG. 2

FIG. 4

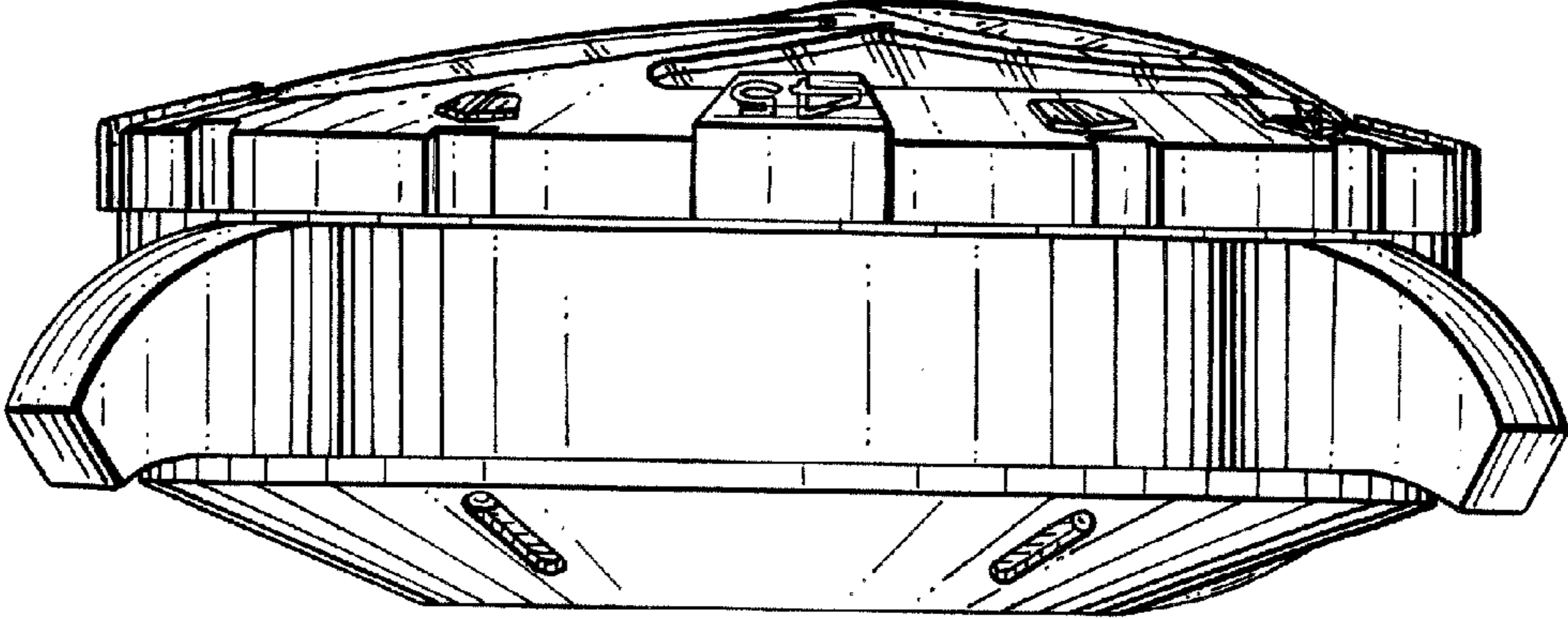


FIG. 3

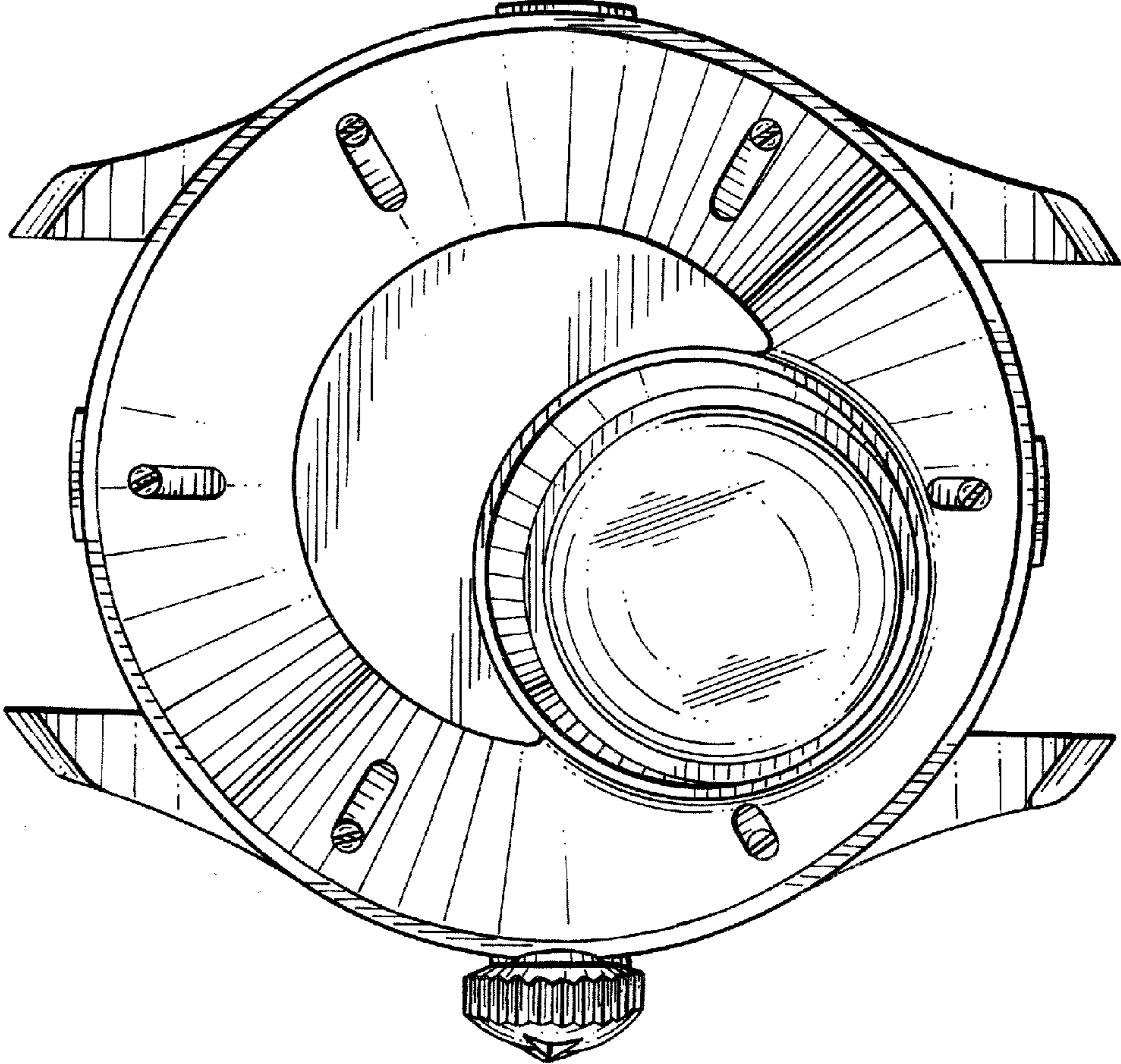


FIG. 6

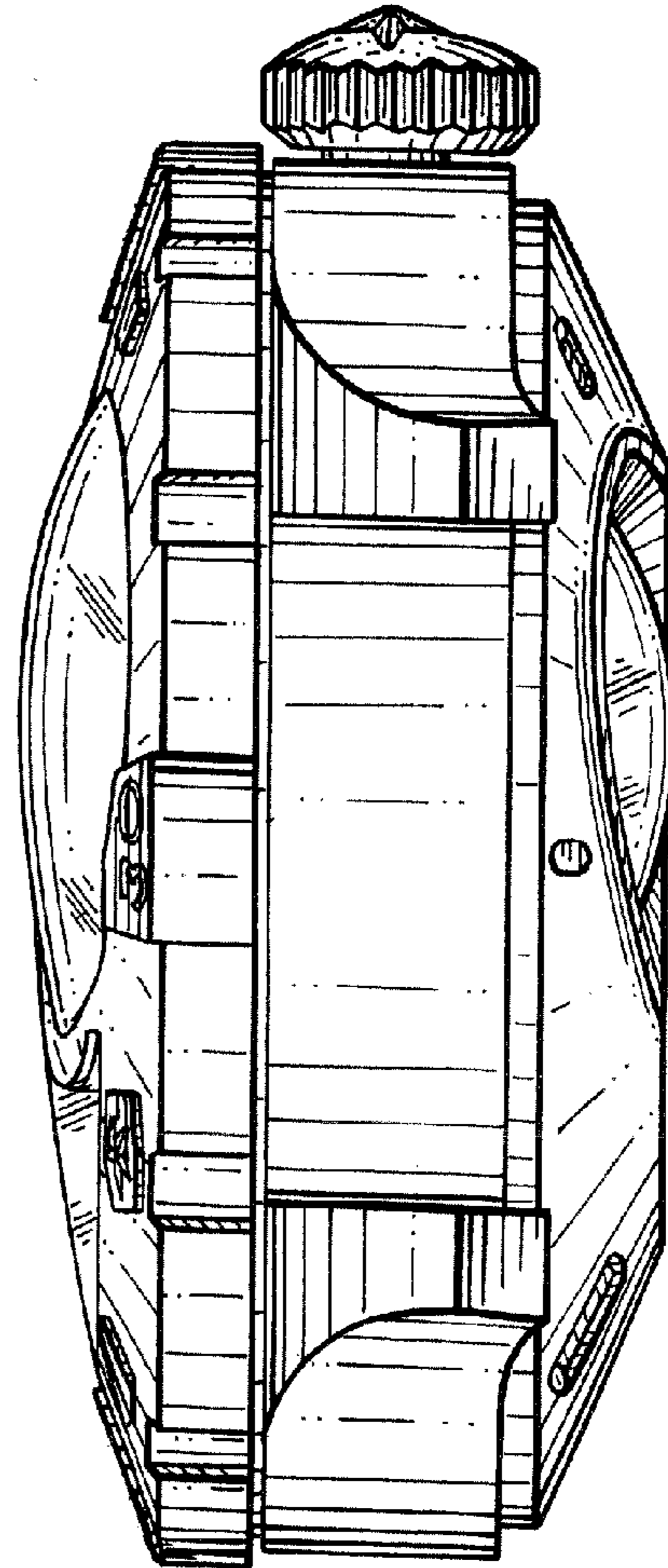
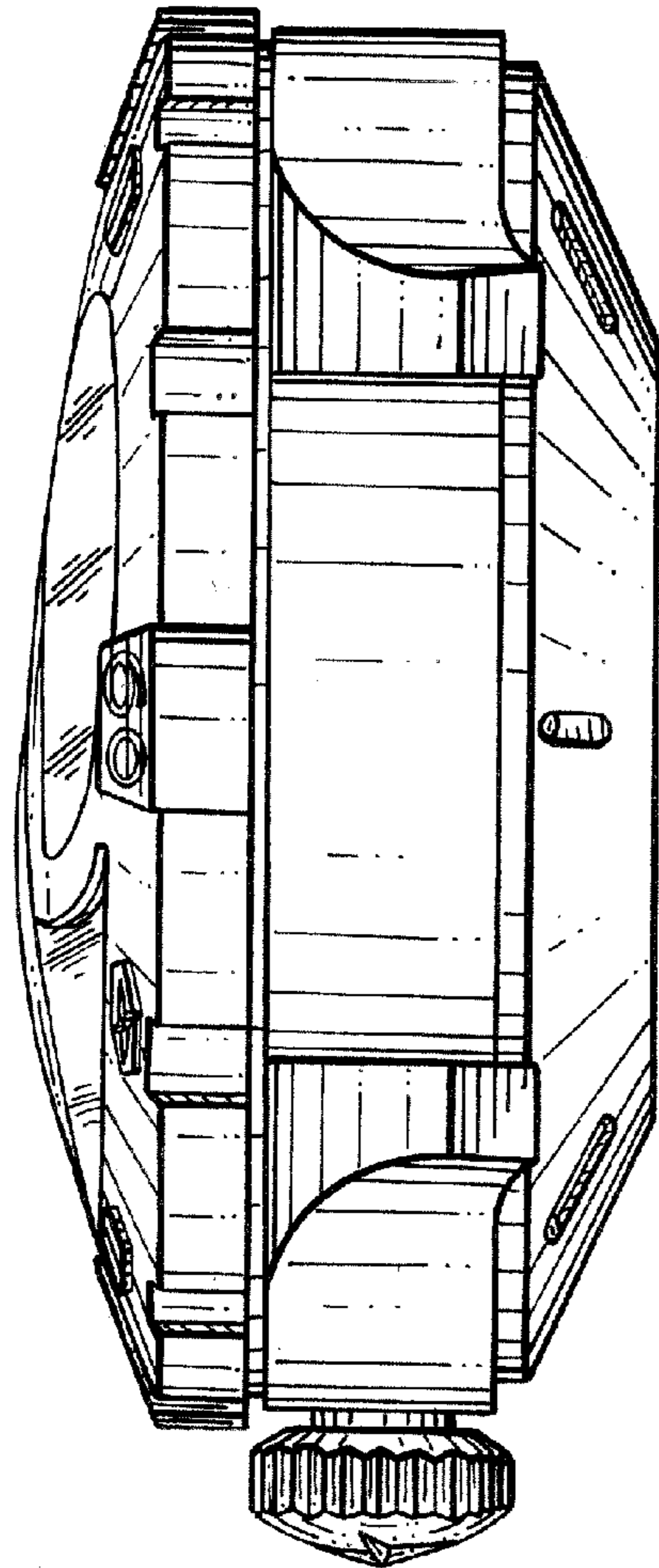


FIG. 7